



US00D951358S

(12) **United States Design Patent** (10) **Patent No.:** **US D951,358 S**
Hemerick et al. (45) **Date of Patent:** **** May 10, 2022**

(54) **BAR TOP GAMING MACHINE**

(71) Applicant: **IGT, Las Vegas, NV (US)**

(72) Inventors: **Bradley Hemerick, Sparks, NV (US);**
Steven P. McGahn, Reno, NV (US);
Brian K. Baker, Reno, NV (US);
Stewart Thoeni, Reno, NV (US)

(73) Assignee: **IGT, Las Vegas, NV (US)**

(**) Term: **15 Years**

(21) Appl. No.: **29/683,634**

(22) Filed: **Mar. 14, 2019**

(51) **LOC (13) Cl.** **21-01**

(52) **U.S. Cl.**
USPC **D21/369**

(58) **Field of Classification Search**
USPC D21/324, 325, 326, 327, 329, 331, 369,
D21/385, 370; D14/371, 305; 463/46,
463/29, 17

CPC .. G07F 17/32; G07F 17/3244; G07F 17/3216;
G07F 17/34; G07F 17/3211; G07F
17/3267; G07F 17/3202; G07F 17/3262;
G07F 17/3223; G07F 17/323; G07F
17/3239; G07F 17/3288; G07F 17/3209;
G07F 17/3241; G07F 17/3213; G07F
17/3225; G07F 17/3232; G07F 17/3258;
G07F 17/3227; G07F 17/3234; G07F
17/3276; G07F 17/3248; G07F 17/326;
G07F 17/3218; G07F 17/3206; G07F
17/3237; G07F 17/329; G07F 17/3251;
G07F 17/3255; G07F 17/0014; G07F
17/3286; G07F 17/322; G07F 17/3272;
G07F 17/3269; G07F 17/3293; G07F
17/3295; G07F 17/3265; G07F 17/3281;
G07F 7/1008; G07F 7/025; G07F 7/0866;
G07F 17/40; G07F 17/3279; G07F
7/0893; G07F 17/3246; G07F 17/3253;
G07F 17/42; G07F 1/06; G07F 9/02;
G07F 9/026; G07F 9/06; G07F 9/08;
G07F 17/3204; G07F 17/3274; G07F

17/3283; G07F 17/3297; G07F 5/18;
G07F 7/02; G07F 7/08; G07F 7/10; G07F
9/001; G07F 9/002; G07F 9/009; G07F
9/0235; G07F 9/10; G07F 9/105; A63F
3/00157; A63F 9/24; A63F 13/00; A63F
13/90; A63F 2001/008;

(Continued)

(56) **References Cited**

U.S. PATENT DOCUMENTS

D237,286 S * 10/1975 Miller D21/325
D237,727 S * 11/1975 Runte D21/326

(Continued)

Primary Examiner — Ryan Harvey

(74) *Attorney, Agent, or Firm* — Neal, Gerber &
Eisenberg LLP

(57) **CLAIM**

The ornamental design for a bar top gaming machine, as shown and described herein.

DESCRIPTION

FIG. 1 is a front top perspective view of a bar top gaming machine of our new design.

FIG. 2 is a front view of the bar top gaming machine of FIG. 1.

FIG. 3 is a rear view of the bar top gaming machine of FIG. 1.

FIG. 4 is a right side view of the bar top gaming machine of FIG. 1.

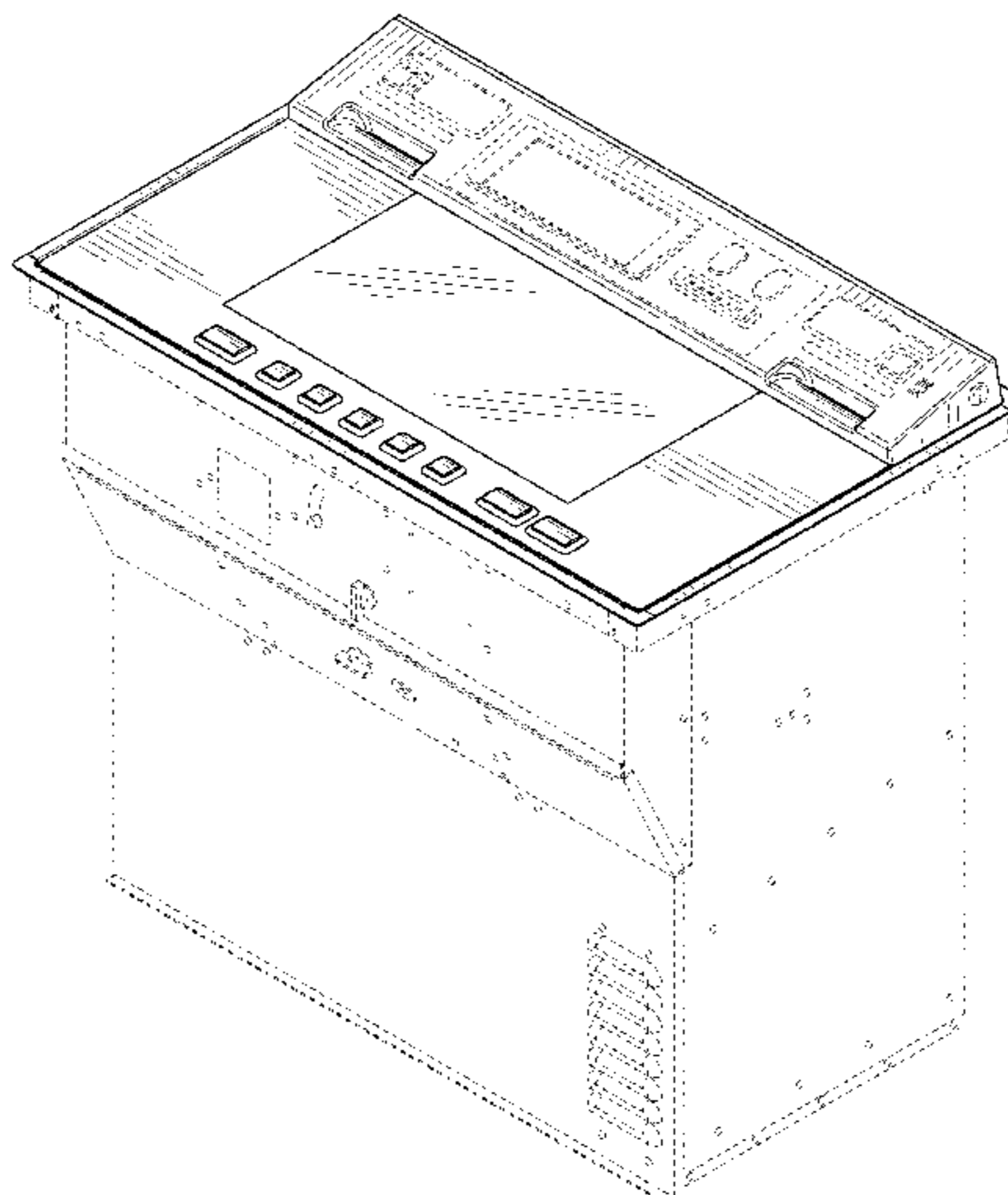
FIG. 5 is a left side view of the bar top gaming machine of FIG. 1.

FIG. 6 is a top view of the bar top gaming machine of FIG. 1; and,

FIG. 7 is a bottom view of the bar top gaming machine of FIG. 1.

The portions shown in phantom are not part of the claimed design.

1 Claim, 6 Drawing Sheets



(58) **Field of Classification Search**

CPC A63F 13/08; A63F 3/081; A63F 13/12;
 A63F 2300/206; A63F 2300/405; A63F
 5/00; A63F 13/10; A63F 3/0645; A63F
 3/065; A63F 13/2145; A63F 13/26; A63F
 13/50; A63F 13/70; A63F 13/792; A63F
 13/95; A63F 2003/0017; A63F 2003/086;
 A63F 2300/1043; A63F 2300/201; A63F
 2300/401; A63F 2300/409; A63F 3/069;
 A63F 11/0074; A63F 13/213; A63F
 13/25; A63F 13/338; A63F 13/426; A63F
 13/79; A63F 13/80; A63F 13/87; A63F
 1/00; A63F 1/04; A63F 1/18; A63F
 2011/0093; A63F 2300/1075; A63F
 2300/5513; A63F 2300/552; A63F
 2300/6063; A63F 3/06; A63F 3/062;
 A63F 5/0076; A63F 11/00; A63F 13/005;
 A63F 13/06; A63F 13/21; A63F 13/30;
 A63F 13/32; A63F 13/48; A63F 13/63;
 A63F 13/71; A63F 13/73; A63F 13/75;
 A63F 13/77; A63F 13/812; A63F
 2003/00167; A63F 2003/083; A63F
 2009/0041; A63F 2009/0087; A63F
 2009/2429; A63F 2009/2451; A63F
 2011/0095; A63F 2300/1012; A63F
 2300/1087; A63F 2300/301; A63F
 2300/403; A63F 2300/404; A63F
 2300/532; A63F 2300/5586; A63F
 2300/6036; A63F 2300/638; A63F
 2300/8029; A63F 2300/8035; A63F
 3/00075; A63F 3/00643; A63F 3/064;
 A63F 5/0005; A63F 5/007; A63F 5/04;
 A63F 7/022; A63F 7/048; A63F 9/00;
 A63F 9/0413; A63F 9/0468; A63F 9/18

See application file for complete search history.

(56) **References Cited**

U.S. PATENT DOCUMENTS

D238,379 S * 1/1976 Miller D21/327
 D247,321 S * 2/1978 Cook D21/327
 D249,729 S * 9/1978 Olson D21/327
 D252,636 S * 8/1979 Cook D21/327
 D275,114 S * 8/1984 Wickstead D21/329
 D275,772 S * 10/1984 Akopian D21/326
 D281,085 S * 10/1985 Smyth D21/327
 5,114,157 A * 5/1992 Kita A63F 13/005
 463/29

D364,650 S * 11/1995 Hanscom D21/327
 5,775,993 A * 7/1998 Fentz G07F 17/3262
 463/17
 5,813,914 A 9/1998 McKay et al.
 D424,122 S * 5/2000 Dickenson D21/325
 D460,915 S * 7/2002 Lynch D21/329
 D466,161 S * 11/2002 Takahashi D21/327
 6,688,984 B2 2/2004 Cole
 6,997,810 B2 2/2006 Cole
 D548,801 S * 8/2007 Groswirt D21/329
 D549,785 S * 8/2007 Luciano, Jr. D21/329
 7,267,613 B2 9/2007 Cole
 D559,917 S 1/2008 Cole et al.
 7,396,282 B2 7/2008 Gauselmann
 D579,500 S * 10/2008 Luciano, Jr. D21/369
 D595,783 S * 7/2009 Anderson D21/327
 D595,784 S * 7/2009 Wells D21/370
 D595,785 S * 7/2009 Wells D21/370
 D628,654 S * 12/2010 Miesch A47B 25/00
 D21/369
 D631,919 S * 2/2011 De Viveiros Ortiz D21/369
 D637,652 S * 5/2011 Tahara D21/325
 D641,047 S * 7/2011 Tahara D21/325
 7,993,198 B2 8/2011 Walker et al.
 8,033,902 B2 10/2011 Wells et al.
 D655,763 S * 3/2012 Salsaa D21/385
 D657,823 S * 4/2012 Gutowski D21/331
 8,272,947 B2 9/2012 Gagner et al.
 D677,655 S * 3/2013 Sirotych D14/305
 D684,972 S * 6/2013 Benson D14/371
 8,502,789 B2 * 8/2013 Tse G06F 3/04883
 345/173
 8,864,135 B2 10/2014 Baerlocher et al.
 8,870,663 B2 10/2014 Cole
 D761,918 S * 7/2016 Kelly D21/397
 9,443,385 B2 9/2016 Adiraju et al.
 9,508,220 B2 11/2016 Walker et al.
 9,824,523 B2 11/2017 Cannon et al.
 RE46,738 E * 2/2018 Sasaki G07F 17/32
 D810,829 S * 2/2018 Loynes D21/329
 D810,834 S * 2/2018 Kelly D21/397
 D825,668 S * 8/2018 Hedrick D21/397
 D843,471 S * 3/2019 Castro D21/369
 D843,472 S * 3/2019 Castro D21/369
 D878,473 S * 3/2020 Thoeni D21/329
 11,138,824 B1 * 10/2021 Vrabec G07F 17/3211
 2007/0072682 A1 * 3/2007 Crawford G07F 17/3276
 463/46
 2009/0111573 A1 4/2009 Iddings
 2009/0221375 A1 * 9/2009 Luciano, Jr. G07F 17/32
 463/46
 2009/0233681 A1 9/2009 Tsukahara
 2014/0274252 A1 9/2014 Chun

* cited by examiner

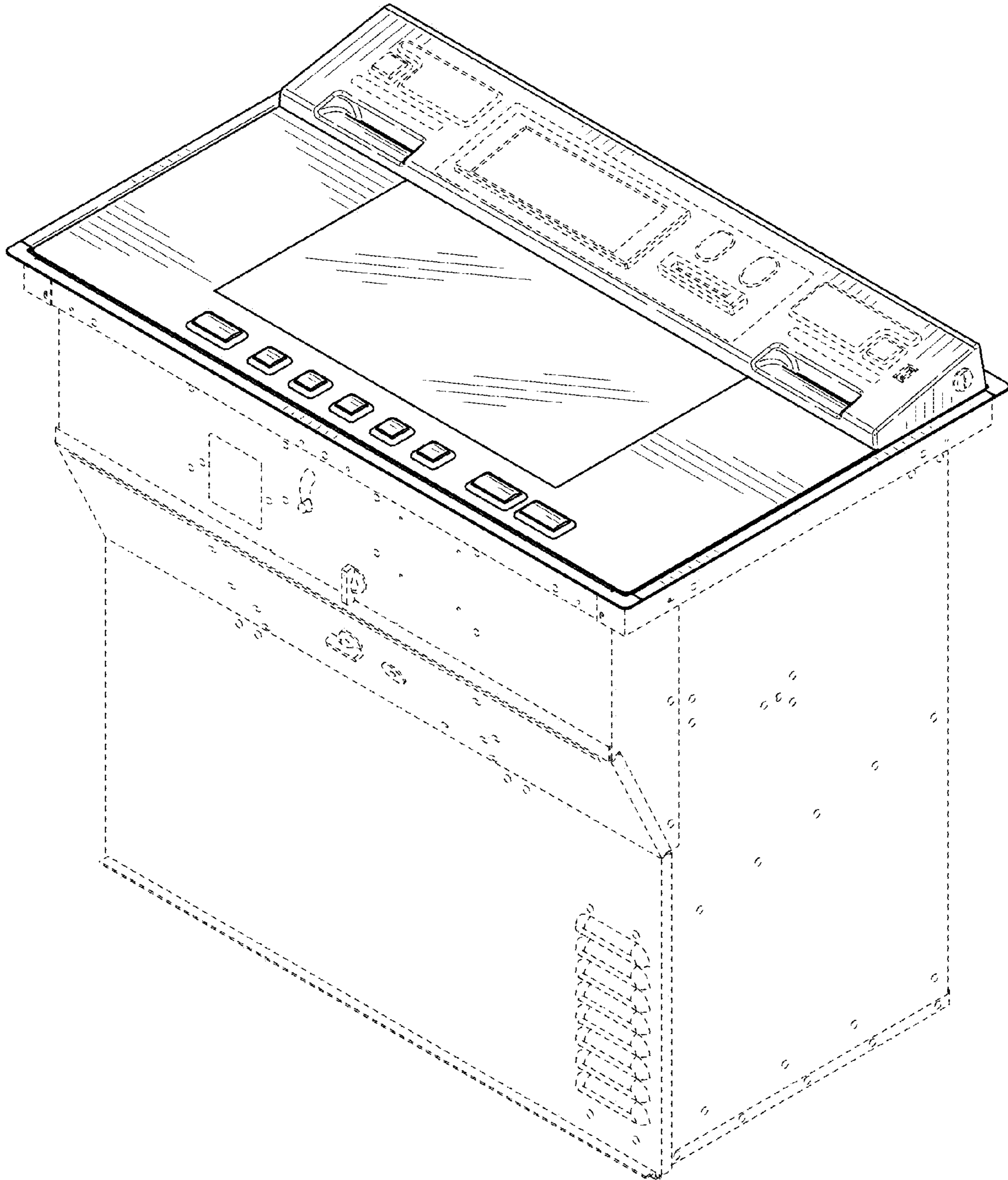


FIG. 1

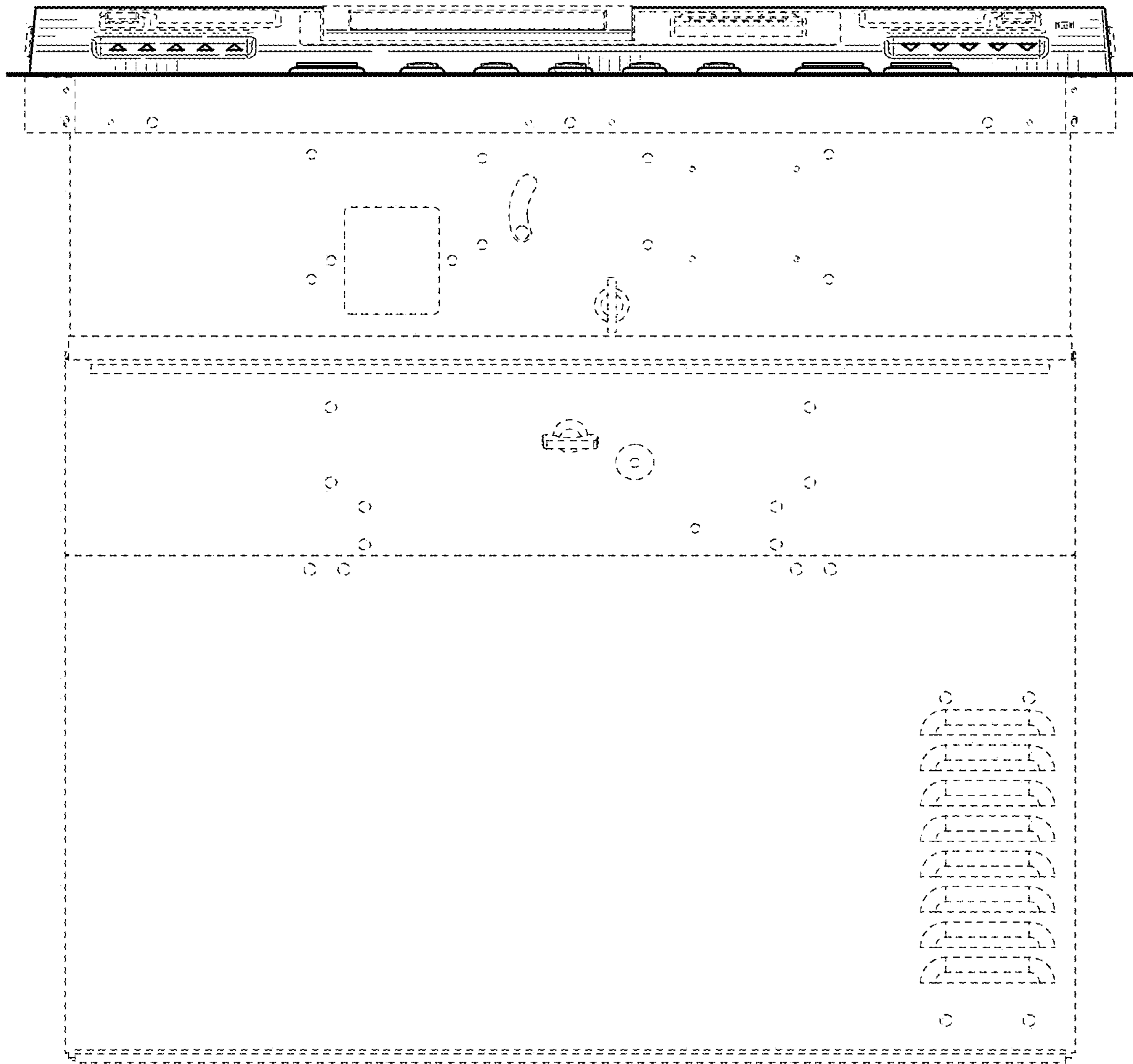


FIG. 2

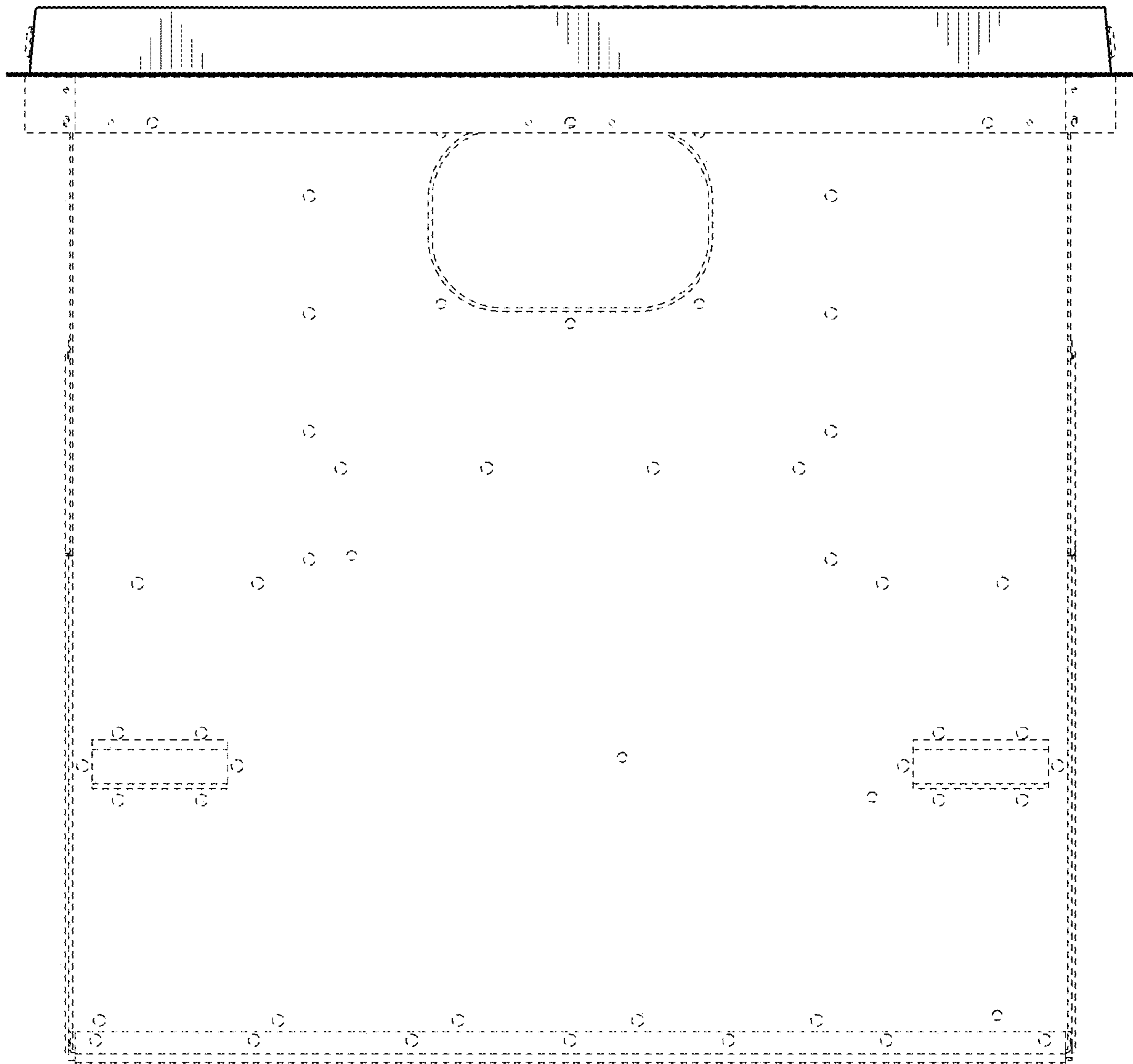


FIG. 3

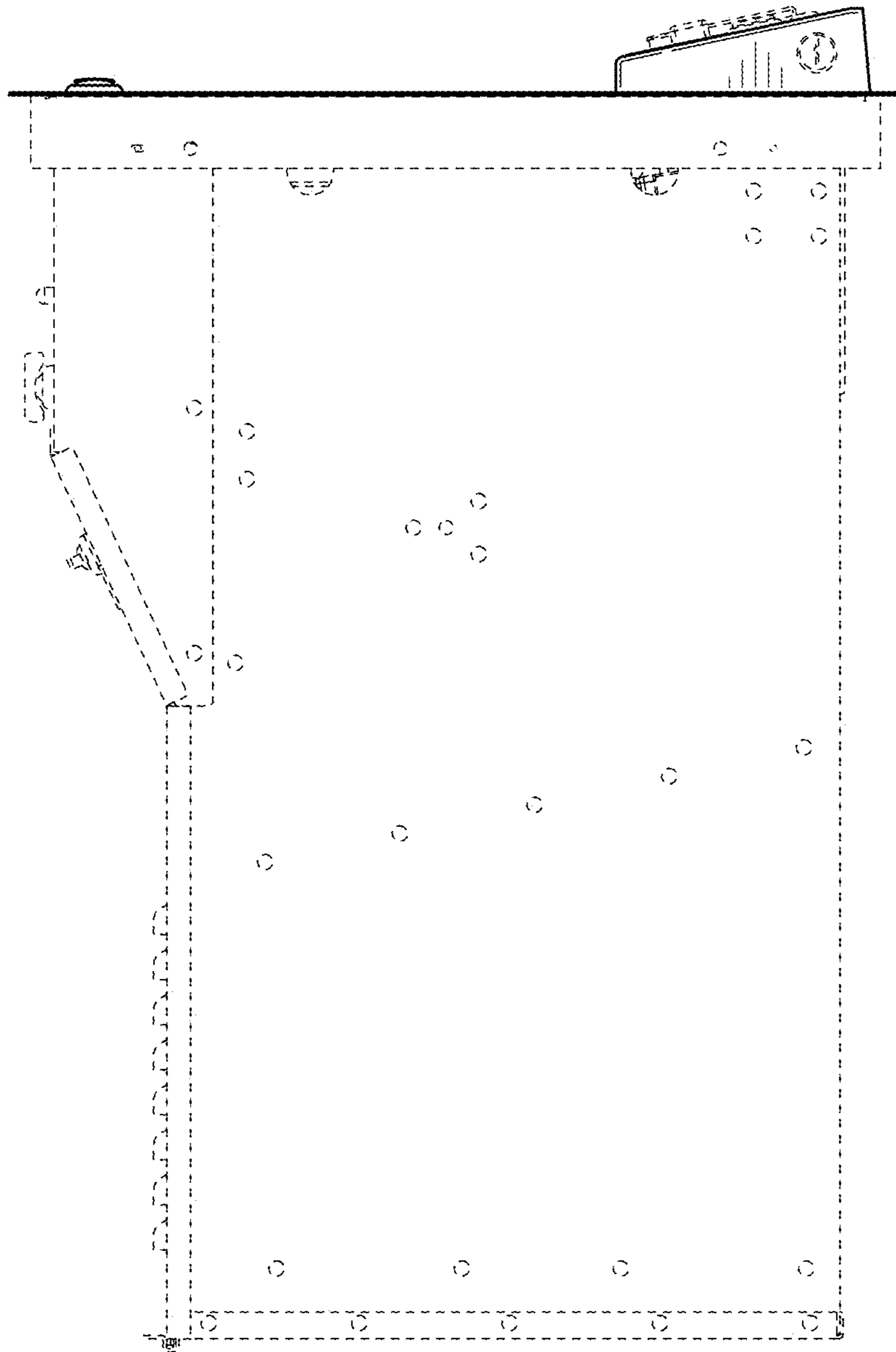


FIG. 4

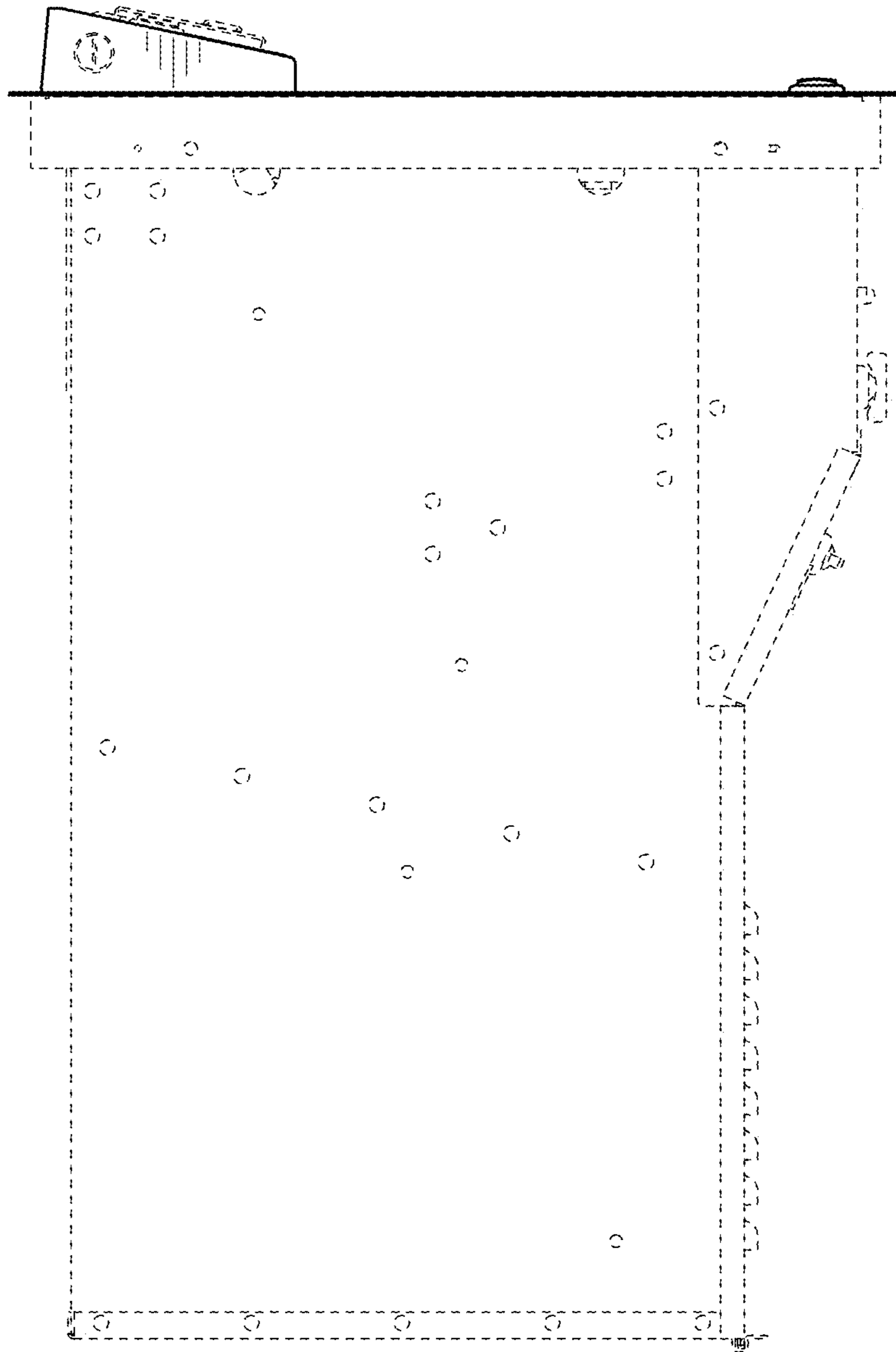


FIG. 5

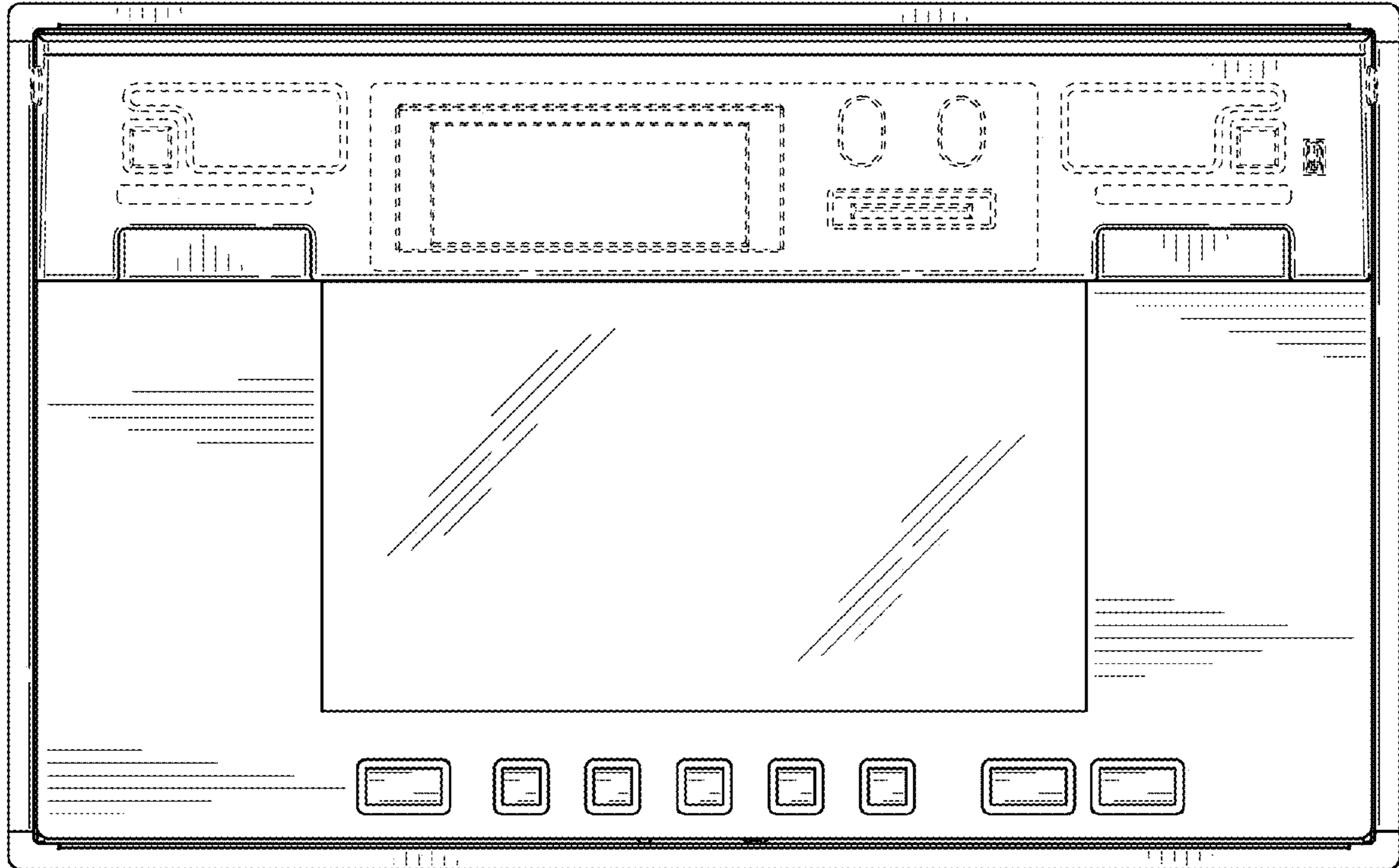


FIG. 6

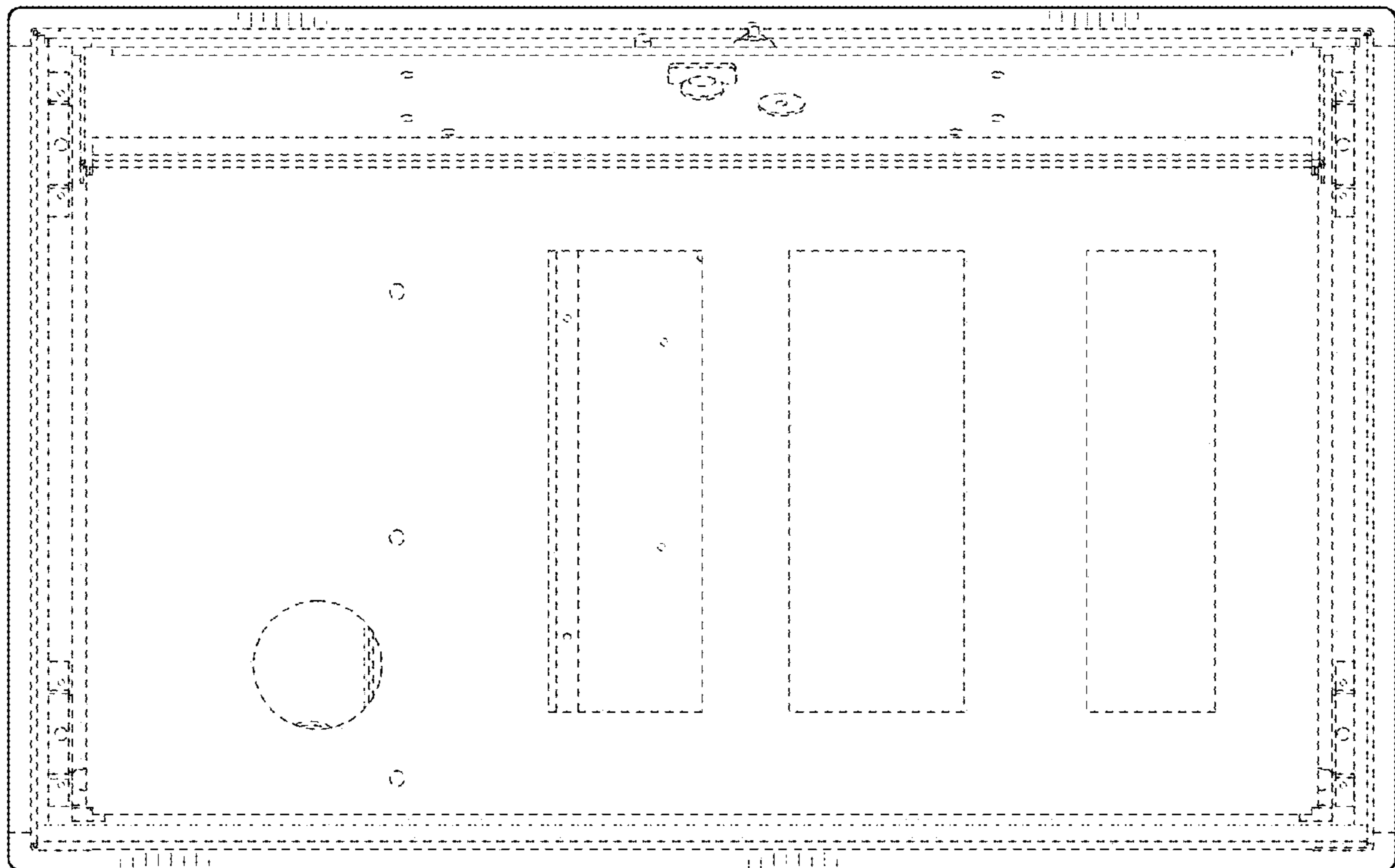


FIG. 7