



US00D951357S

(12) **United States Design Patent**  
**Schultheis et al.**

(10) **Patent No.:** **US D951,357 S**  
(45) **Date of Patent:** **\*\* May 10, 2022**

(54) **PLAYING SURFACE FOR SPINNING TOP TOY**

**DESCRIPTION**

(71) Applicant: **TOMY COMPANY, LTD.**, Tokyo (JP)

(72) Inventors: **Douglas Arthur Schultheis**,  
Cumberland, RI (US); **Luke C. Lohan**,  
Abington, MA (US)

(73) Assignee: **TOMY COMPANY, LTD.**, Tokyo (JP)

(\*\*) Term: **15 Years**

(21) Appl. No.: **29/739,533**

(22) Filed: **Jun. 26, 2020**

(51) **LOC (13) Cl.** ..... **21-01**

(52) **U.S. Cl.**  
USPC ..... **D21/338**; D21/461

(58) **Field of Classification Search**  
USPC ..... D21/334, 336-342, 355-359, 365, 318,  
D21/397, 312, 314, 320, 362, 366, 367,  
(Continued)

(56) **References Cited**

**U.S. PATENT DOCUMENTS**

D209,410 S \* 11/1967 Grant ..... D21/374  
3,643,951 A \* 2/1972 Breslow ..... A63F 7/02  
273/108

(Continued)

*Primary Examiner* — Susan Moon Lee

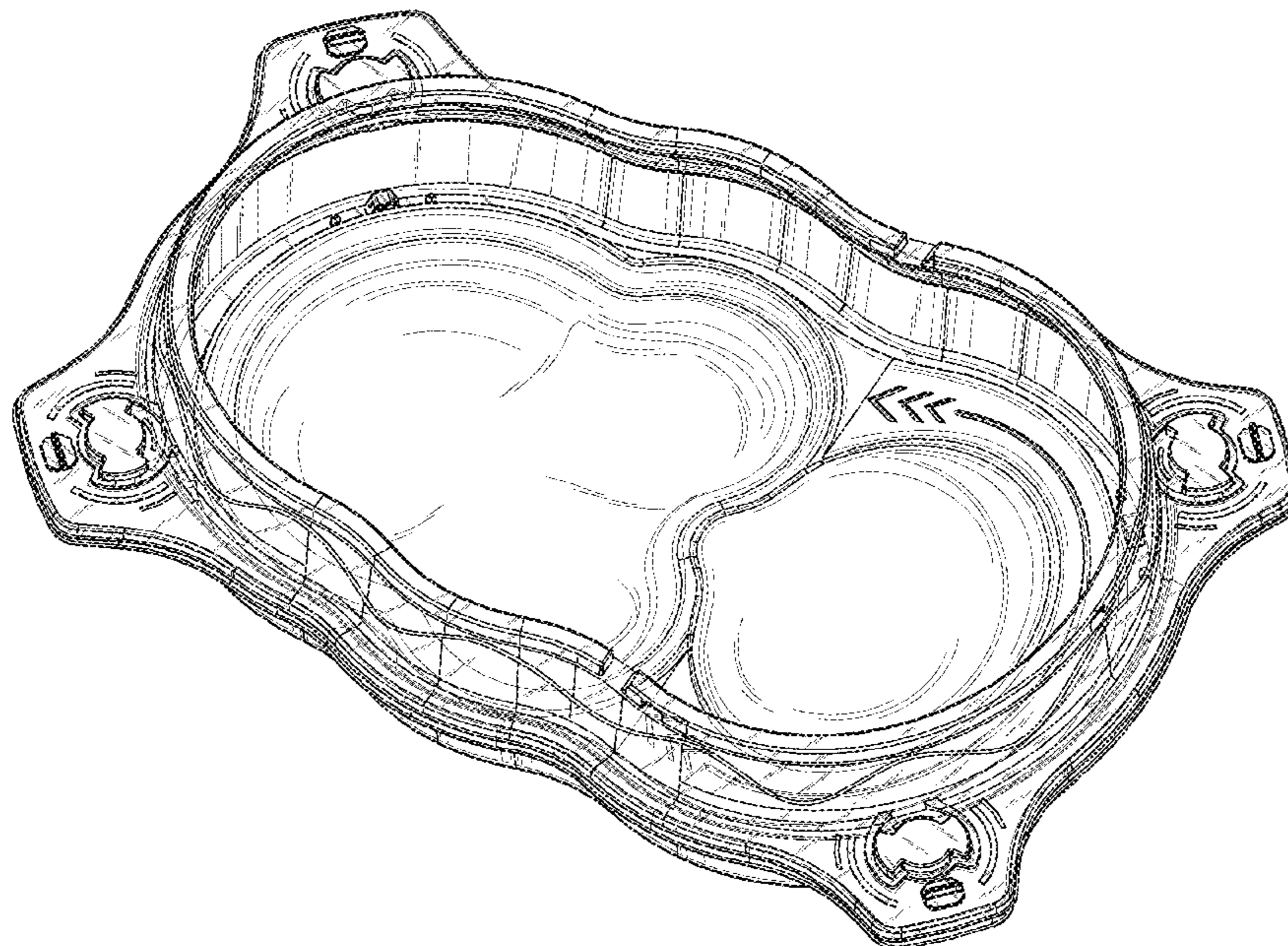
(74) *Attorney, Agent, or Firm* — Oliff PLC

(57) **CLAIM**

The ornamental design for a playing surface for spinning top toy, as shown and described.

FIG. 1 is a front elevational view of the playing surface for spinning top toy, showing the new design;  
FIG. 2 is a rear elevational view thereof;  
FIG. 3 is a left-side elevational view thereof;  
FIG. 4 is a right-side elevational view thereof;  
FIG. 5 is a top plan view thereof;  
FIG. 6 is a bottom plan view thereof;  
FIG. 7 is a front, right-side, top perspective view thereof;  
FIG. 8 is a rear, left-side, bottom perspective view thereof;  
FIG. 9 is a front, right-side, top disassembled perspective view thereof, showing a state of being separated into four caps, four upper fasteners, a cover, four lower fasteners, a base, and four legs;  
FIG. 10 is a rear, left-side, bottom disassembled perspective view thereof, showing the state of being separated into the four caps, the four upper fasteners, the cover, the four lower fasteners, the base, and the four legs;  
FIG. 11 is an end elevational view taken along the line 11-11 in FIG. 5;  
FIG. 12 is an end elevational view taken along the line 12-12 in FIG. 5;  
FIG. 13 is a perspective view of one of the upper fasteners;  
FIG. 14 is a another perspective view of one of the upper fasteners;  
FIG. 15 is a perspective view of one of the lower fasteners;  
FIG. 16 is a another perspective view of one of the lower fasteners;  
FIG. 17 is a perspective view of one of the caps;  
FIG. 18 is a another perspective view of one of the caps;  
FIG. 19 is a perspective view of one of the legs;  
FIG. 20 is a another perspective view of one of the legs; and,  
FIG. 21 is a front, right-side, top perspective view thereof showing a state of having another cover attached.  
The broken lines depict parts of the playing surface for spinning top toy that form no part of the claimed design.

**1 Claim, 15 Drawing Sheets**



(58) **Field of Classification Search**

USPC ..... D21/385, 455, 456, 460, 461, 484,  
 D21/491-501, 561, 564; 273/242,  
 273/244-247, 259, 277, 287, 317.3,  
 273/108.1, 108.5, 118 D, 236-240, 283,  
 273/309, 441, 461, 108.2, 108.3, 113,  
 273/115, 116, 241, 280, 282.1, 282.2,  
 273/282.3, 289, 148 R, 440, 444, 450,  
 273/453, 459, 109, 110, 108, 456, 443;  
 D6/406.1, 406.3, 406.4, 406.6; D19/86,  
 D19/92, 95, 87, 113, 75, 77, 78, 80;  
 108/14, 62, 43, 67; 434/416, 247, 248,  
 434/251, 408, 413, 145, 430; 446/82,  
 446/168, 236, 256, 257, 259, 262, 263,  
 446/491, 233; D7/538-550.1, 552.2,  
 D7/553.1-553.8, 554.1-554.4, 558,  
 D7/584-588, 601, 602, 359, 354, 356;  
 D9/737, 756, 758-761, 414, 424-433,  
 D9/456, 499; D30/121, 129-133;  
 D11/143, 144, 152, 153, 155, 156, 164;  
 47/65, 65.5, 65.6, 66.7, 71, 73-75, 39;  
 473/569, 570; 463/69  
 CPC .... A63F 3/00; A63F 3/00003; A63F 3/00028;  
 A63F 3/00041; A63F 3/00044; A63F  
 3/00047; A63F 3/00173; A63F 3/00176;  
 A63F 3/00214; A63F 3/00261; A63F  
 3/00643; A63F 3/00646-00659; A63F  
 3/04; A63F 2003/00182; A63F  
 2003/00223; A63F 2003/00457; A63F  
 2003/0046; A63F 2003/00463; A63F  
 2003/00466; A63F 2003/0047; A63F  
 2003/00485; A63F 2003/00492; A63F  
 2003/00507; A63F 2003/00514; A63F  
 2003/00533; A63F 2003/00552; A63F  
 2003/00558; A63F 2003/00943; A63F  
 2003/00946; A63F 2003/00952-00962;  
 A63F 2003/00974; A63F 7/00; A63F  
 7/06; A63F 7/0612; A63F 7/0604; A63F  
 7/0616-0636; A63F 7/30; A63F 7/36;  
 A63F 7/0005; A63F 7/0017; A63F  
 7/0023; A63F 2007/0035; A63F  
 2007/367; A63F 2007/3674; A63F 9/00;  
 A63F 9/16; A63F 9/02; A63F 2009/165;  
 A63H 1/00; A63H 1/02; A63H 1/04;  
 A63H 1/10

See application file for complete search history.

(56) **References Cited**

U.S. PATENT DOCUMENTS

3,643,954 A \* 2/1972 Meyer ..... A63F 9/02  
 273/119 A  
 3,674,271 A \* 7/1972 De Gelder ..... A63H 1/00  
 273/115

3,841,636 A \* 10/1974 Meyer ..... A63F 9/14  
 273/110  
 D238,388 S \* 1/1976 Monroe ..... D21/338  
 D246,609 S \* 12/1977 Kanno ..... D21/312  
 4,292,756 A \* 10/1981 Jaworski ..... A63H 1/00  
 446/246  
 4,630,822 A \* 12/1986 Massaglia ..... A63F 9/16  
 273/118 A  
 4,982,961 A \* 1/1991 Ichimura ..... A63F 9/16  
 273/109  
 D371,578 S \* 7/1996 Henderson ..... D21/338  
 6,032,827 A \* 3/2000 Zettle ..... B65D 43/0212  
 220/788  
 D563,102 S \* 3/2008 Cornwell ..... D3/294  
 D563,671 S \* 3/2008 Cornwell ..... D3/294  
 7,389,987 B1 \* 6/2008 Paukert ..... A63F 7/025  
 273/108.1  
 D606,126 S \* 12/2009 Ujita ..... D21/397  
 8,137,151 B2 \* 3/2012 Kenney ..... A63H 7/00  
 446/330  
 D715,623 S \* 10/2014 Holtby ..... D8/356  
 D806,801 S \* 1/2018 Shindo ..... D21/338  
 9,901,811 B2 \* 2/2018 Shindo ..... A63F 9/16  
 9,962,615 B2 \* 5/2018 Lerna ..... A63F 13/213  
 D869,560 S \* 12/2019 Schultheis ..... D21/338  
 D883,389 S \* 5/2020 Schultheis ..... D21/338  
 D884,078 S \* 5/2020 Hama ..... D21/338  
 D884,797 S \* 5/2020 Schultheis ..... D21/338  
 D886,903 S \* 6/2020 Ishii ..... D21/338  
 10,702,767 B2 \* 7/2020 Campos ..... A63F 9/16  
 D900,228 S \* 10/2020 Schultheis ..... D21/338  
 D904,521 S \* 12/2020 Schultheis ..... D21/338  
 D912,157 S \* 3/2021 Hama ..... D21/338  
 11,154,769 B2 \* 10/2021 Schultheis ..... A63F 9/16  
 2007/0021029 A1 \* 1/2007 Weidetz ..... A63H 1/04  
 446/256  
 2007/0216090 A1 \* 9/2007 Brown ..... A63H 1/00  
 273/108  
 2009/0253343 A1 \* 10/2009 Kitamura ..... A63F 9/16  
 446/256  
 2009/0253349 A1 \* 10/2009 Iwakoshi ..... A63H 18/14  
 446/429  
 2010/0159798 A1 \* 6/2010 Bertrand ..... A63H 1/02  
 446/259  
 2010/0320682 A1 \* 12/2010 Derrah ..... A63F 9/14  
 273/108.1  
 2011/0189921 A1 \* 8/2011 Andersen ..... A63H 33/22  
 446/242  
 2013/0056929 A1 \* 3/2013 Rehkemper ..... A63H 17/004  
 273/129 R  
 2016/0030848 A1 \* 2/2016 Lerna ..... A63F 13/73  
 463/9  
 2016/0375354 A1 \* 12/2016 Francis ..... A63F 9/16  
 463/16  
 2017/0239558 A1 \* 8/2017 Shindo ..... A63F 9/16  
 2017/0333783 A1 \* 11/2017 Shindo ..... A63H 1/00  
 2019/0184278 A1 \* 6/2019 Campos ..... A63H 1/04  
 2020/0139224 A1 \* 5/2020 Schultheis ..... A63H 1/00  
 2021/0060411 A1 \* 3/2021 Schultheis ..... A63F 9/16  
 2021/0220724 A1 \* 7/2021 Schultheis ..... A63F 9/16

\* cited by examiner

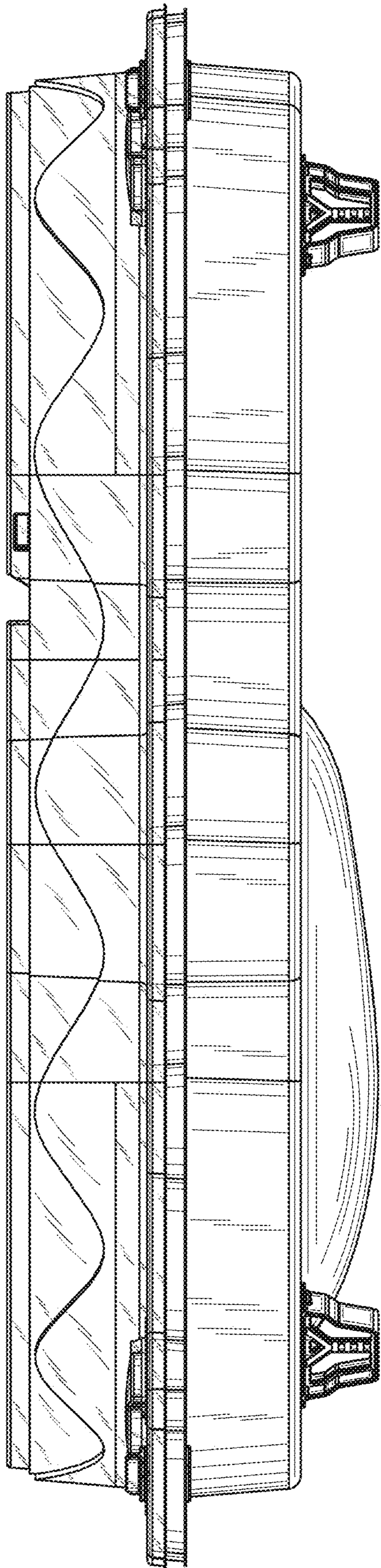


FIG. 1

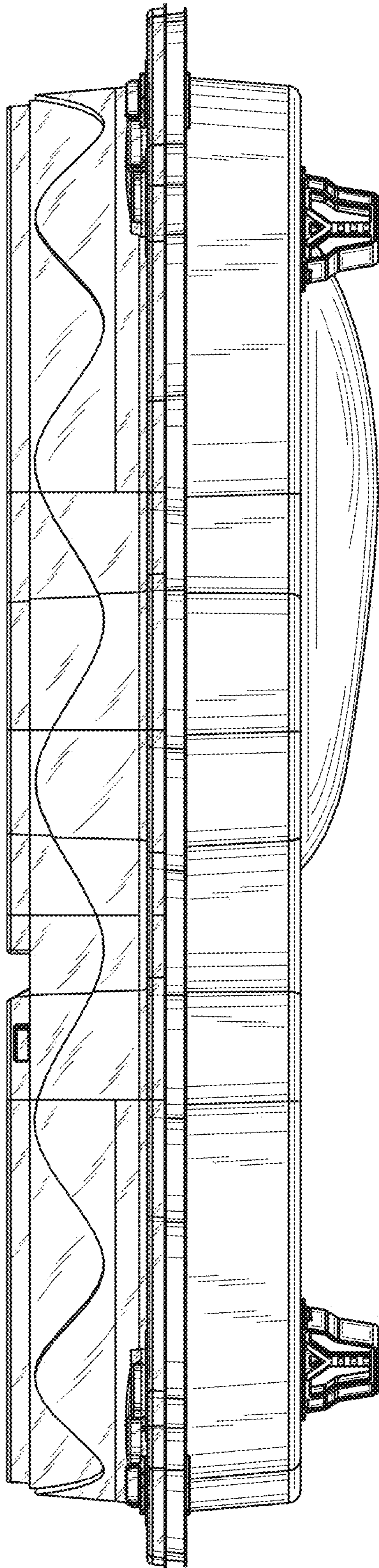


FIG. 2

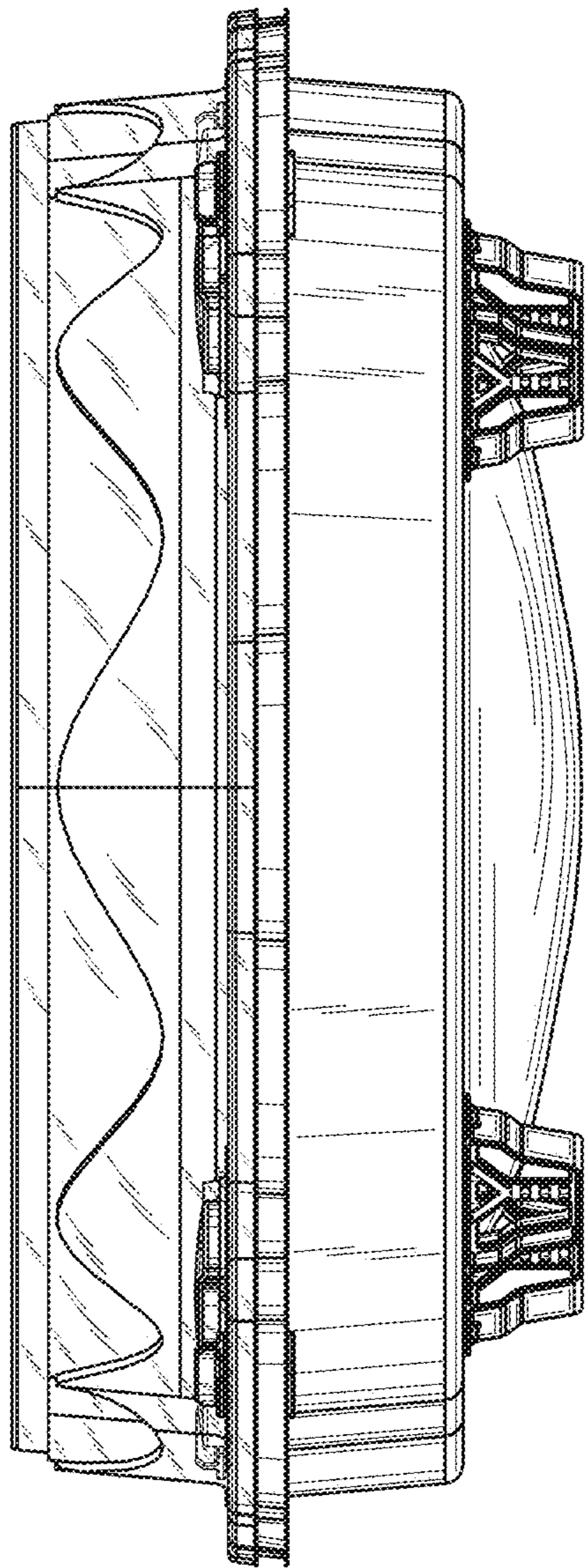


FIG. 3

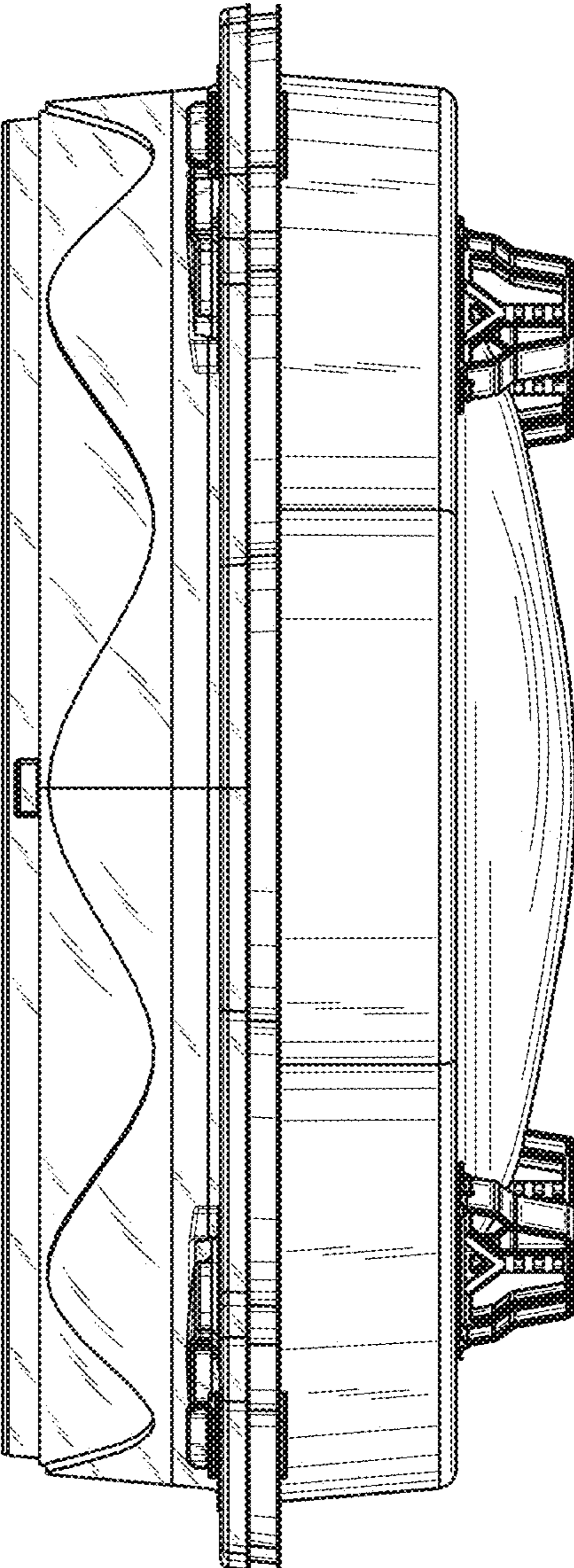


FIG. 4

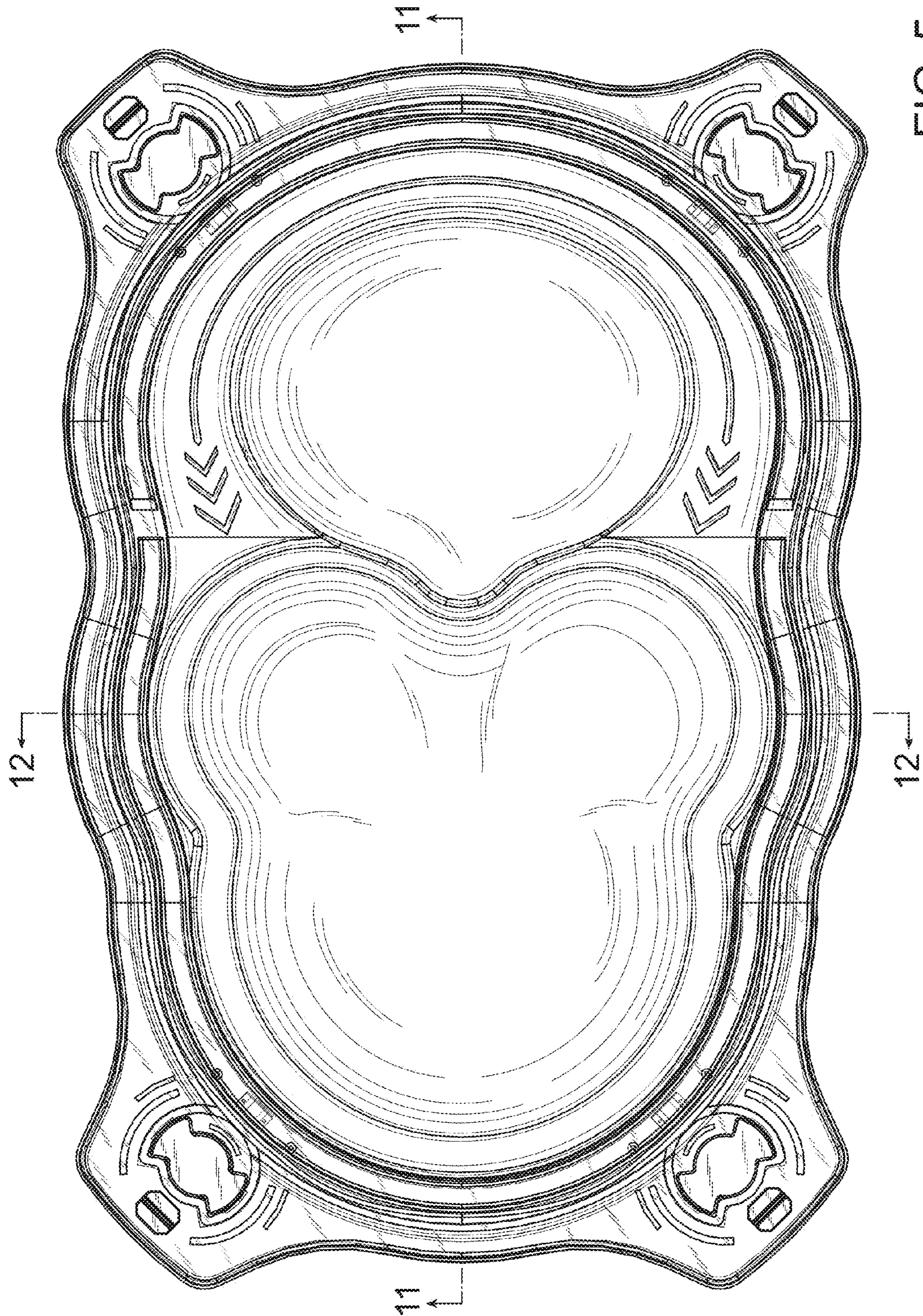


FIG. 5

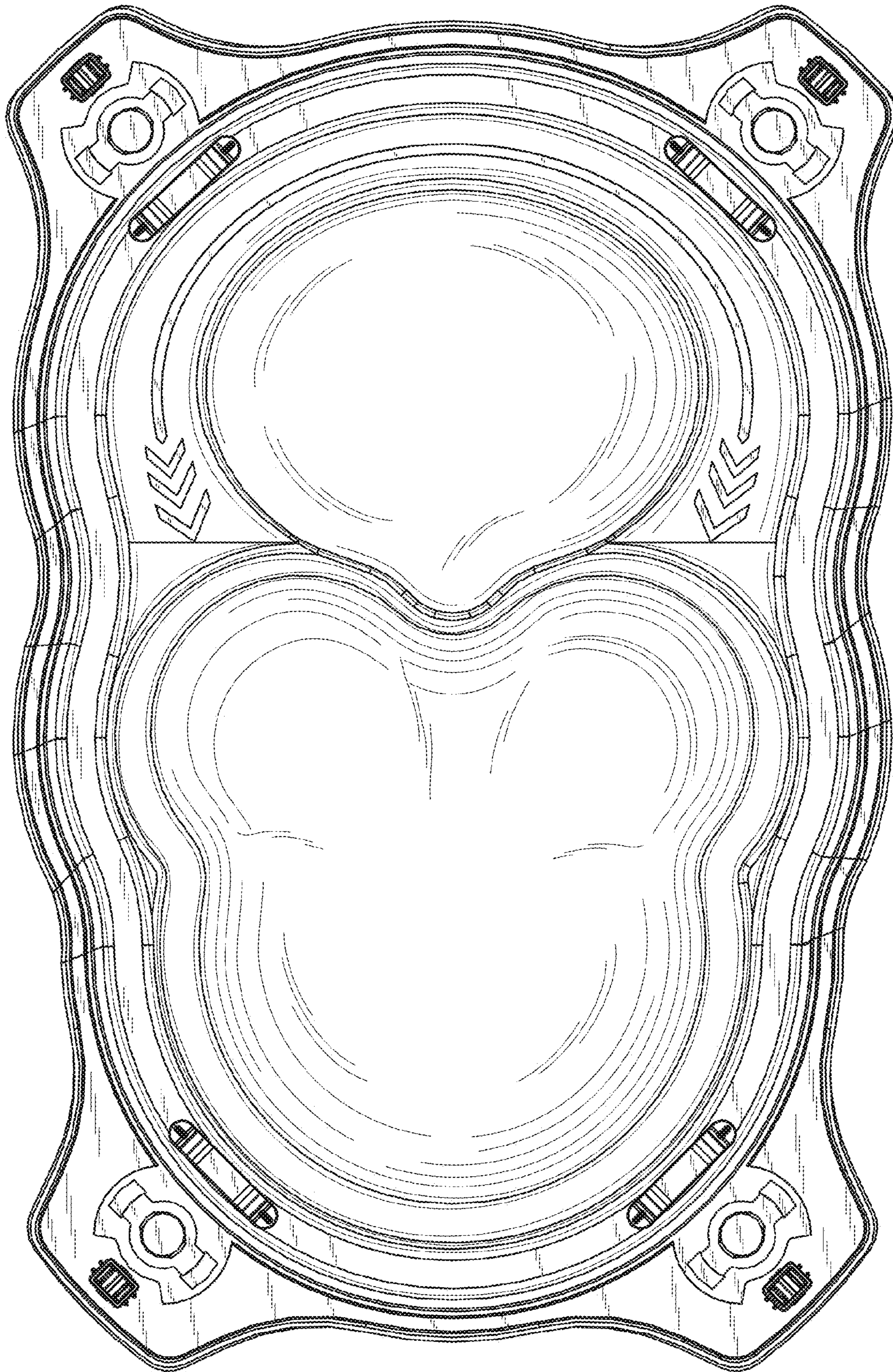


FIG. 6



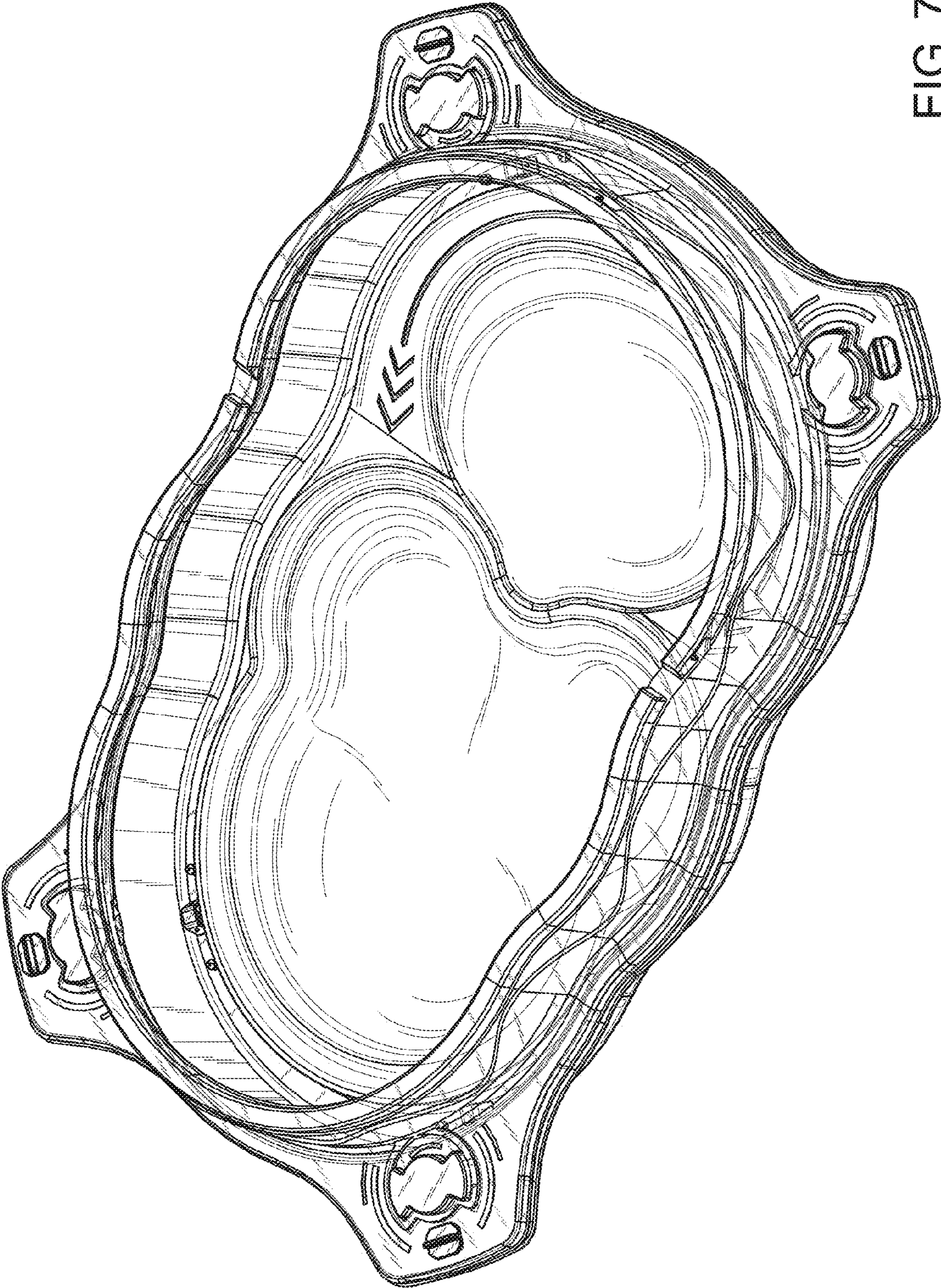


FIG. 7

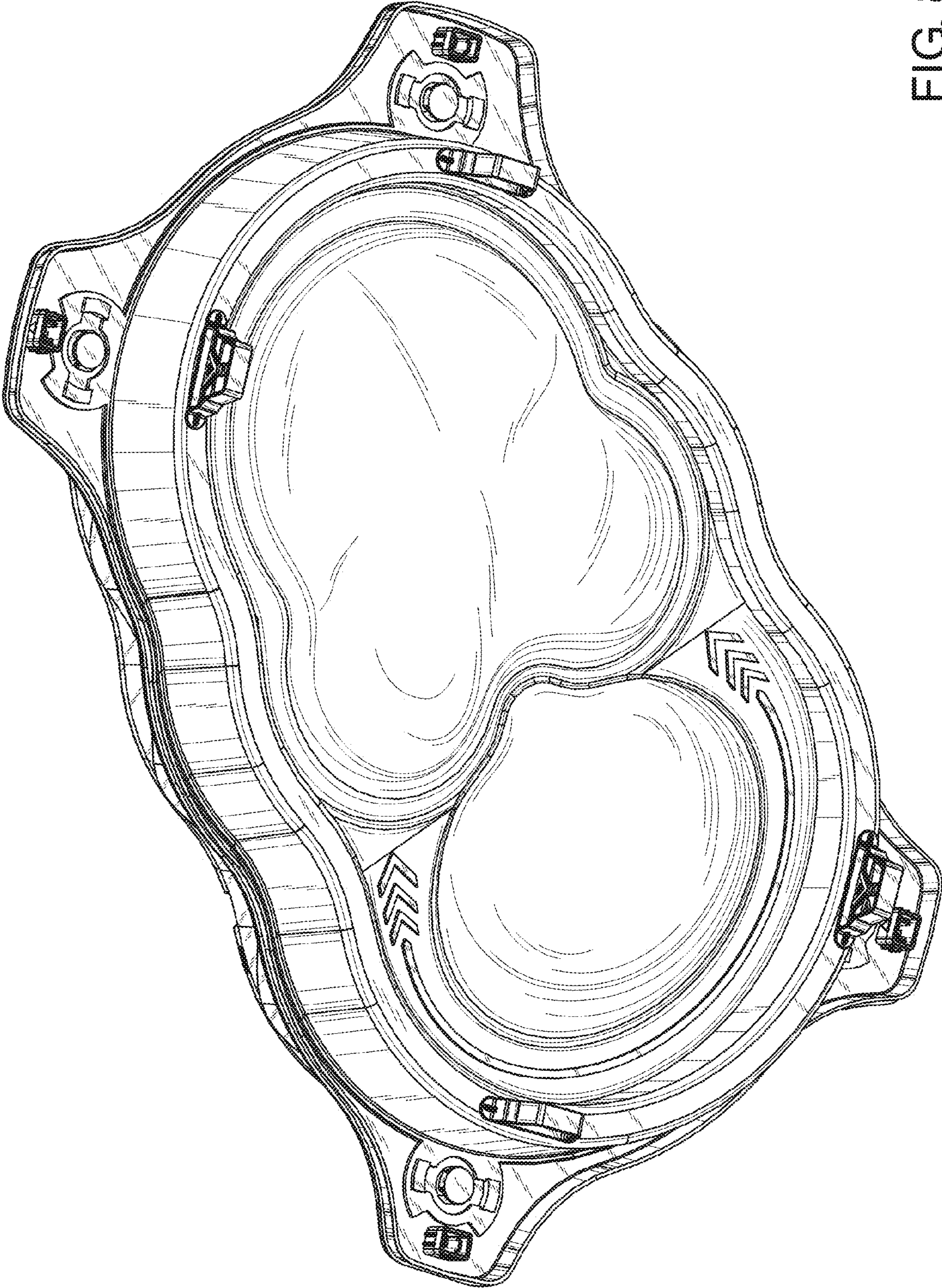


FIG. 8

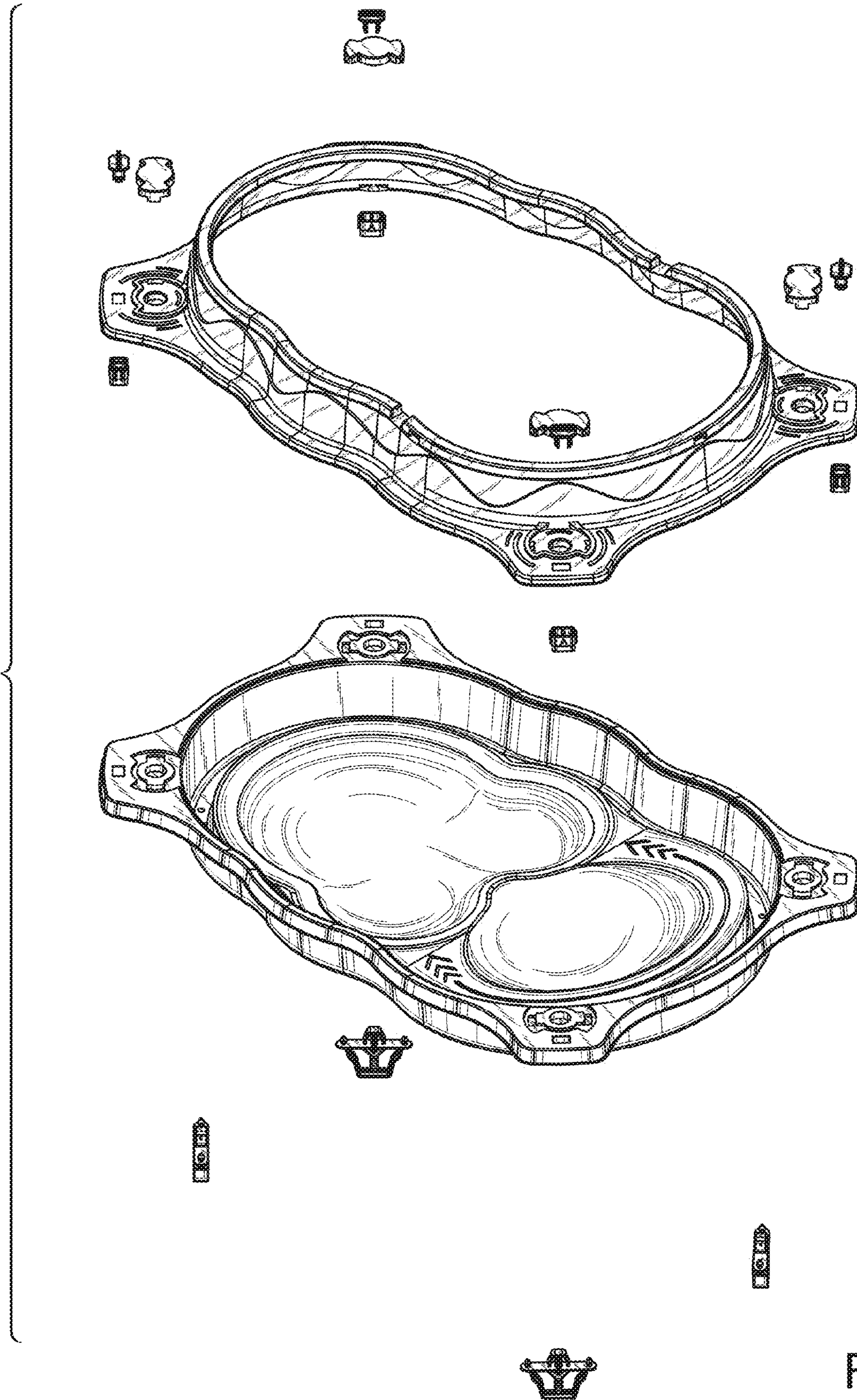


FIG. 9

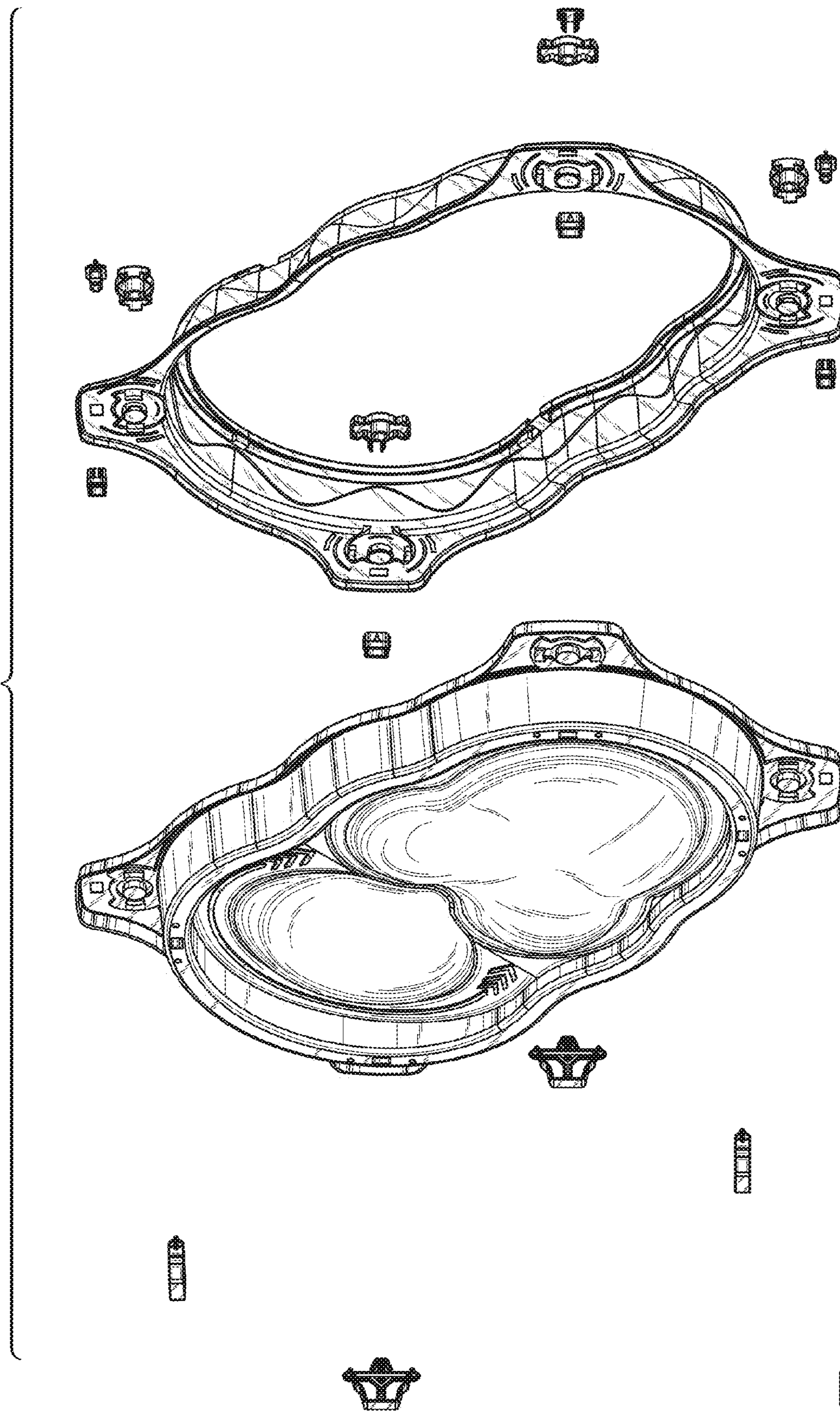


FIG. 10

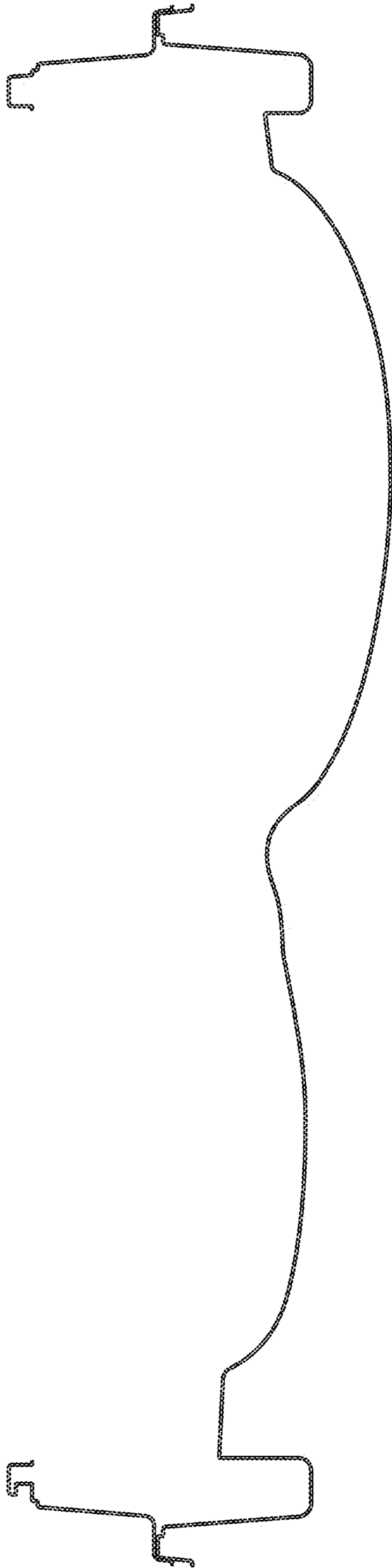


FIG. 11

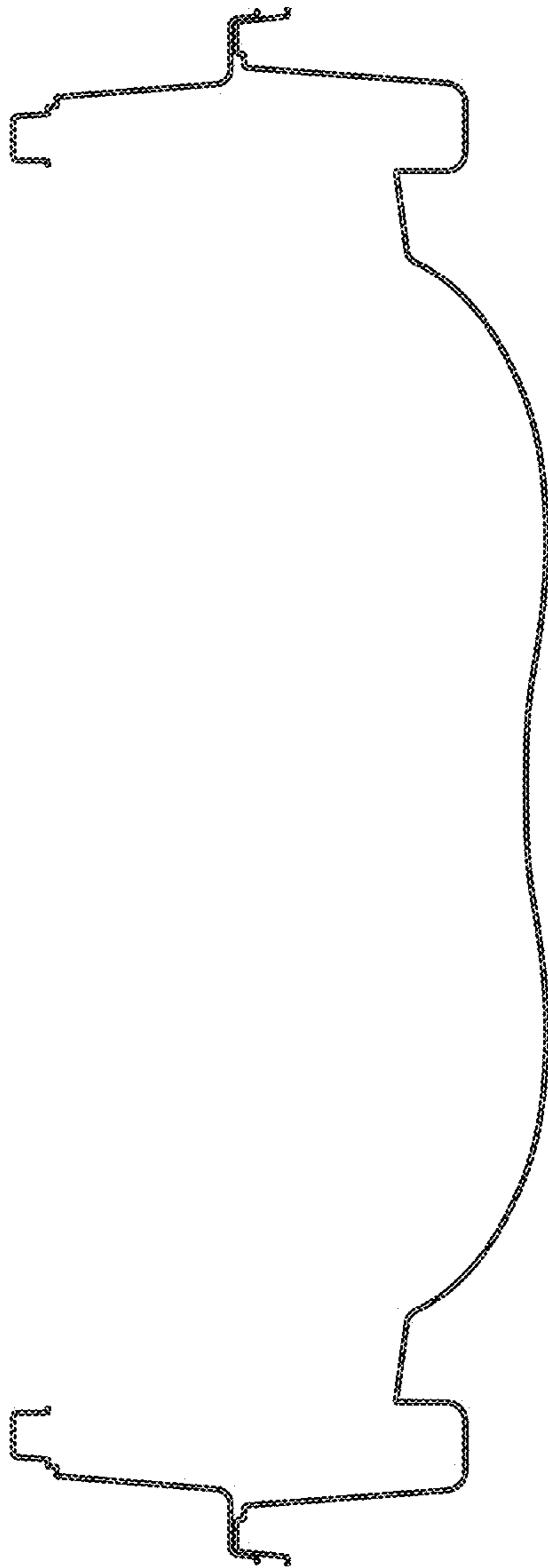


FIG. 12

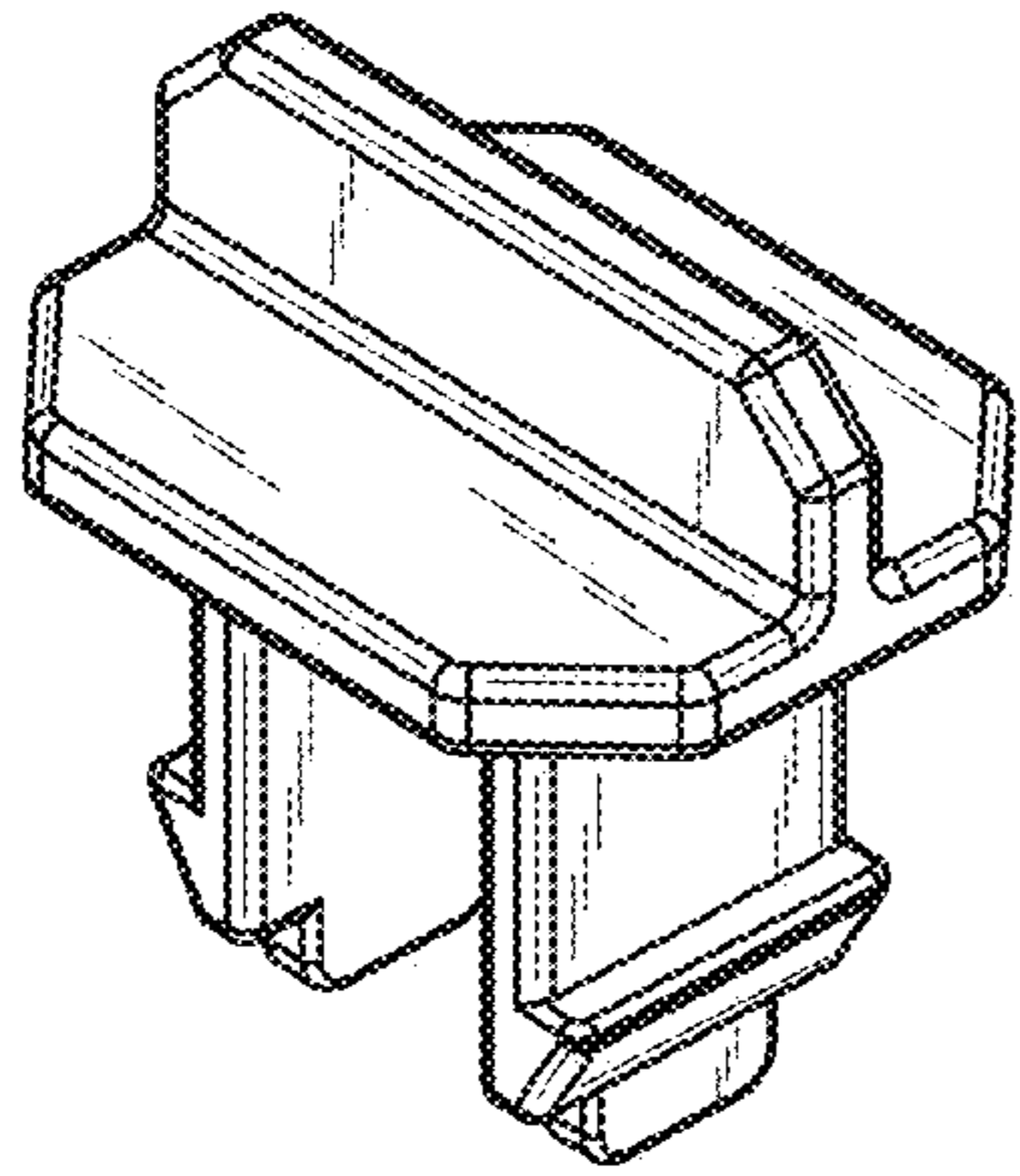


FIG. 13

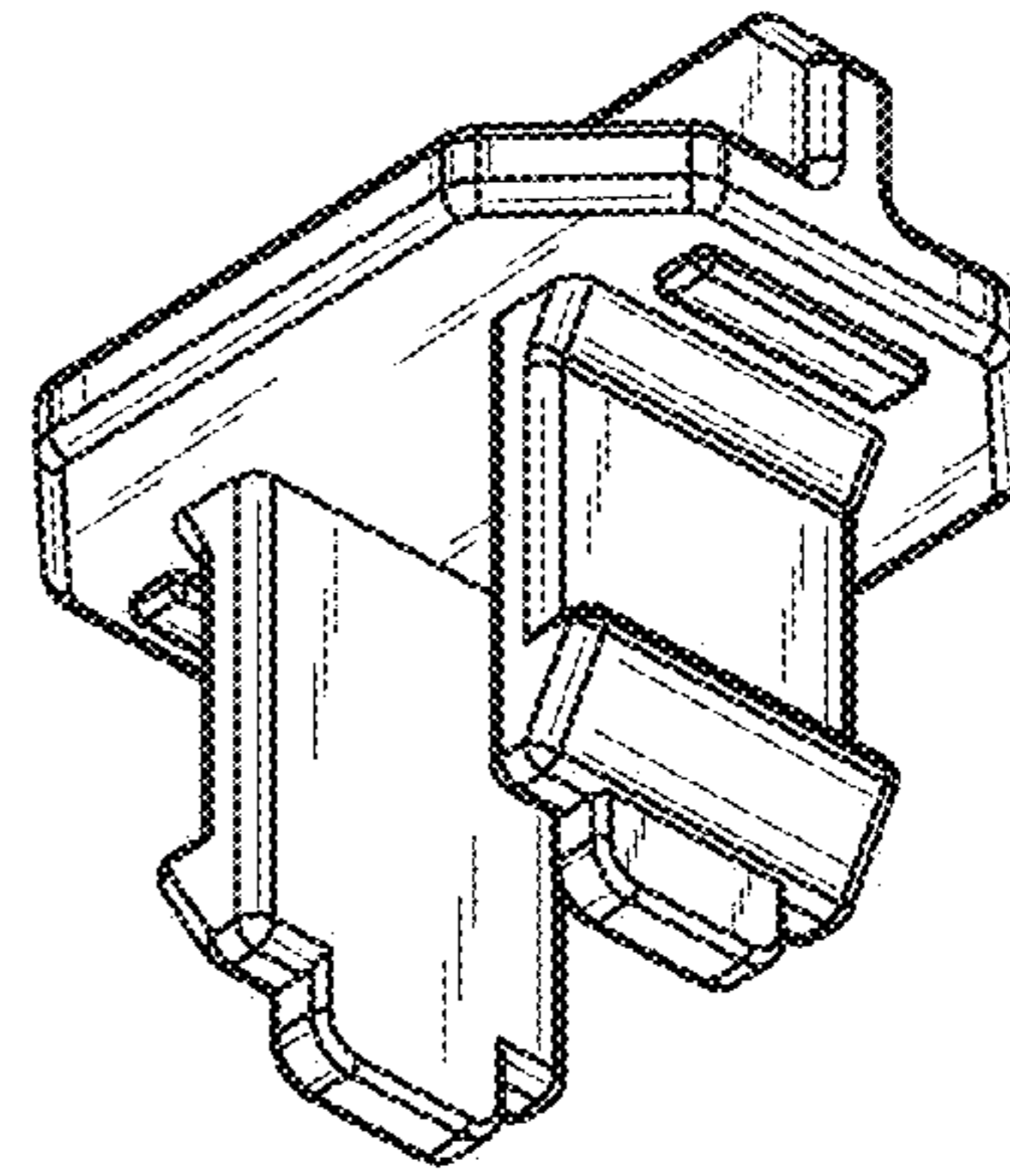


FIG. 14

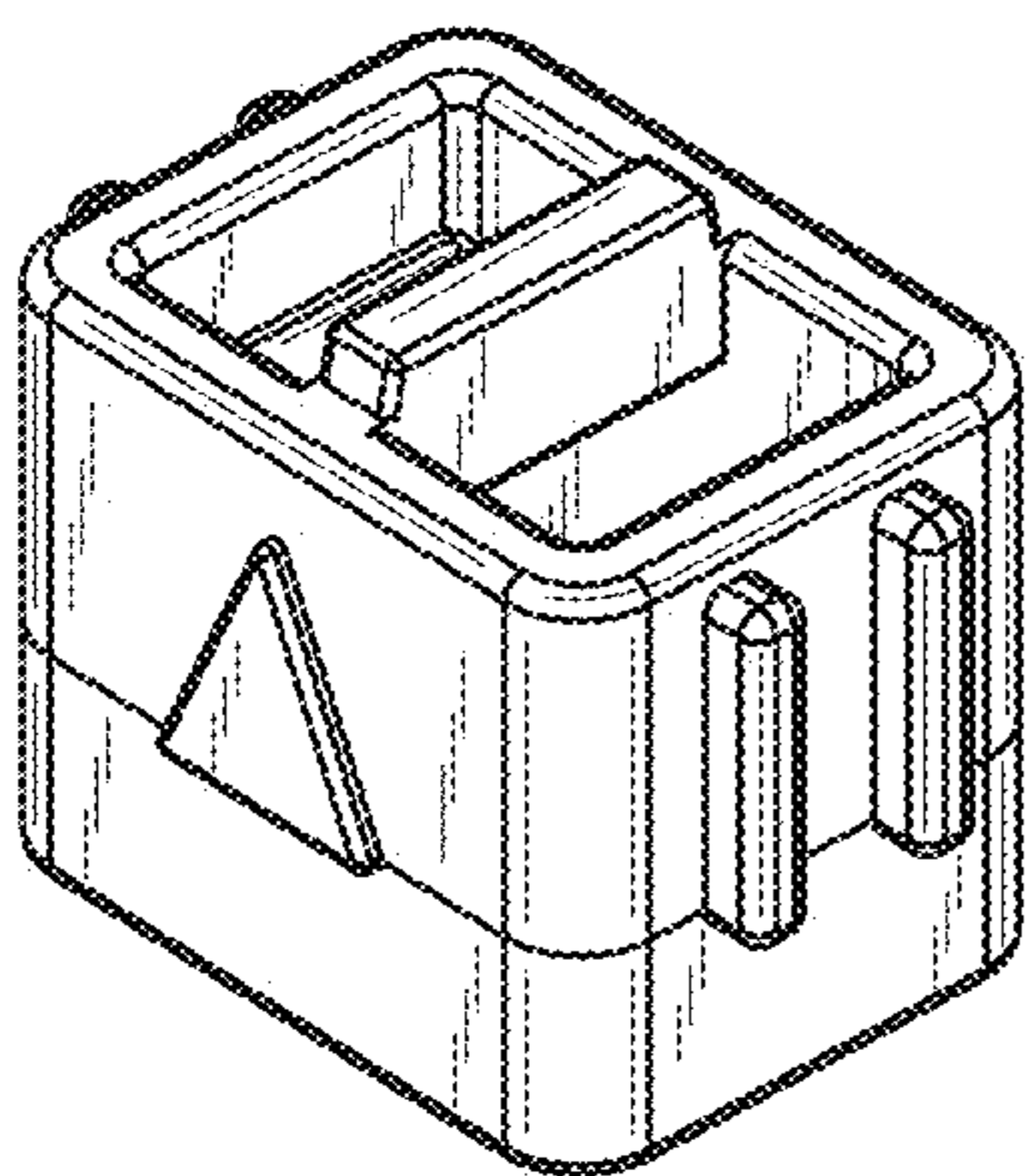


FIG. 15

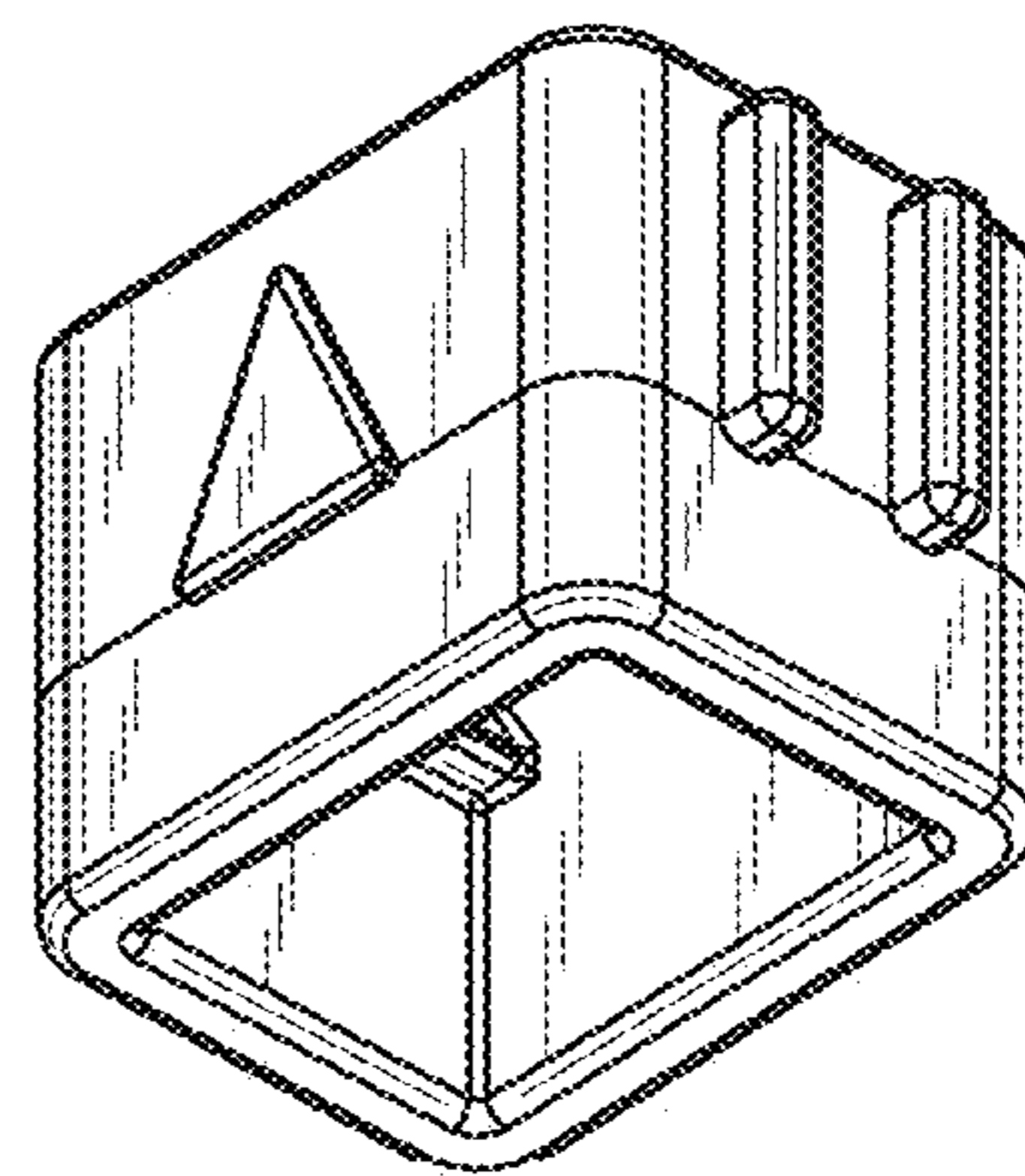


FIG. 16

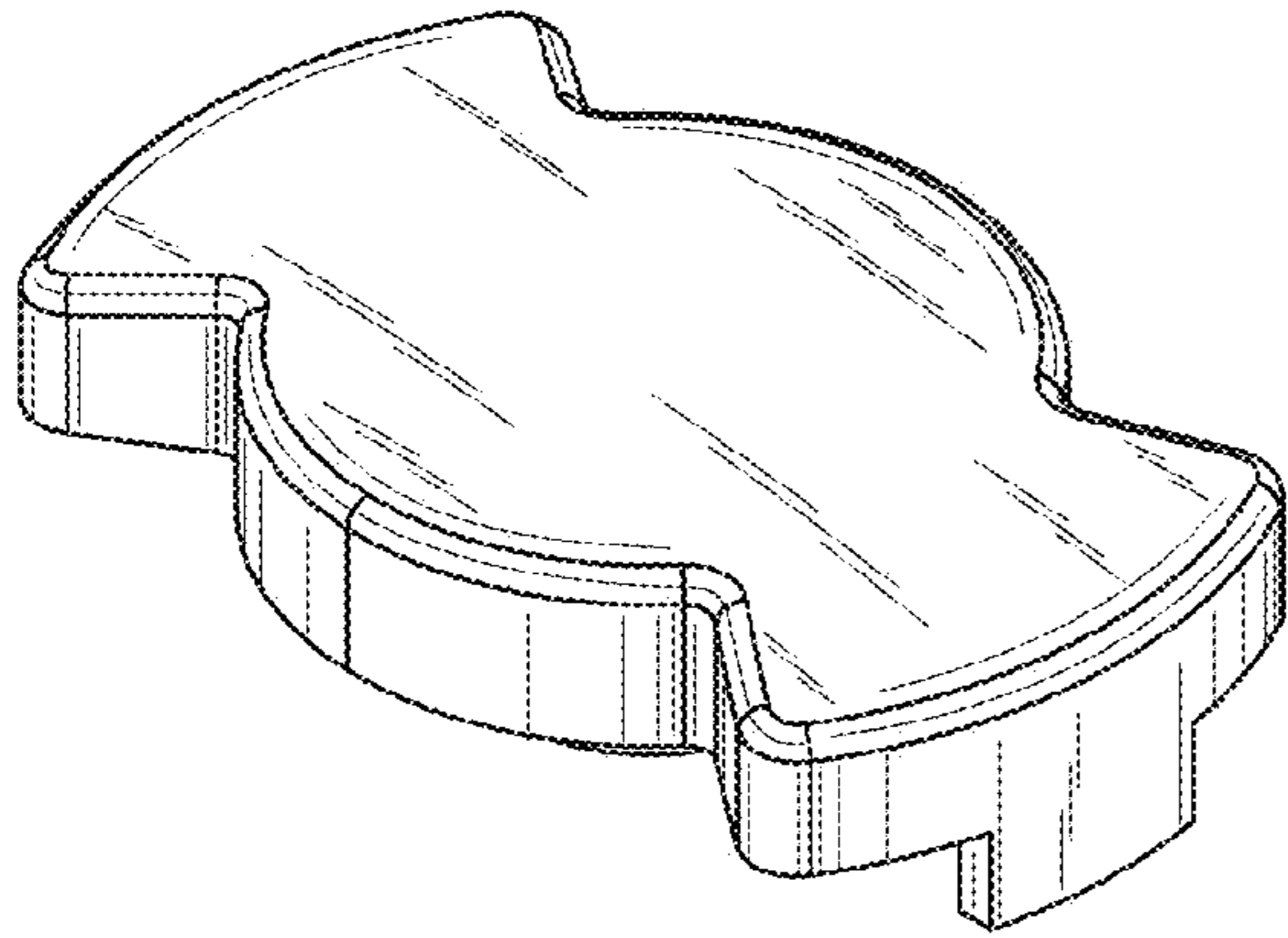


FIG. 17

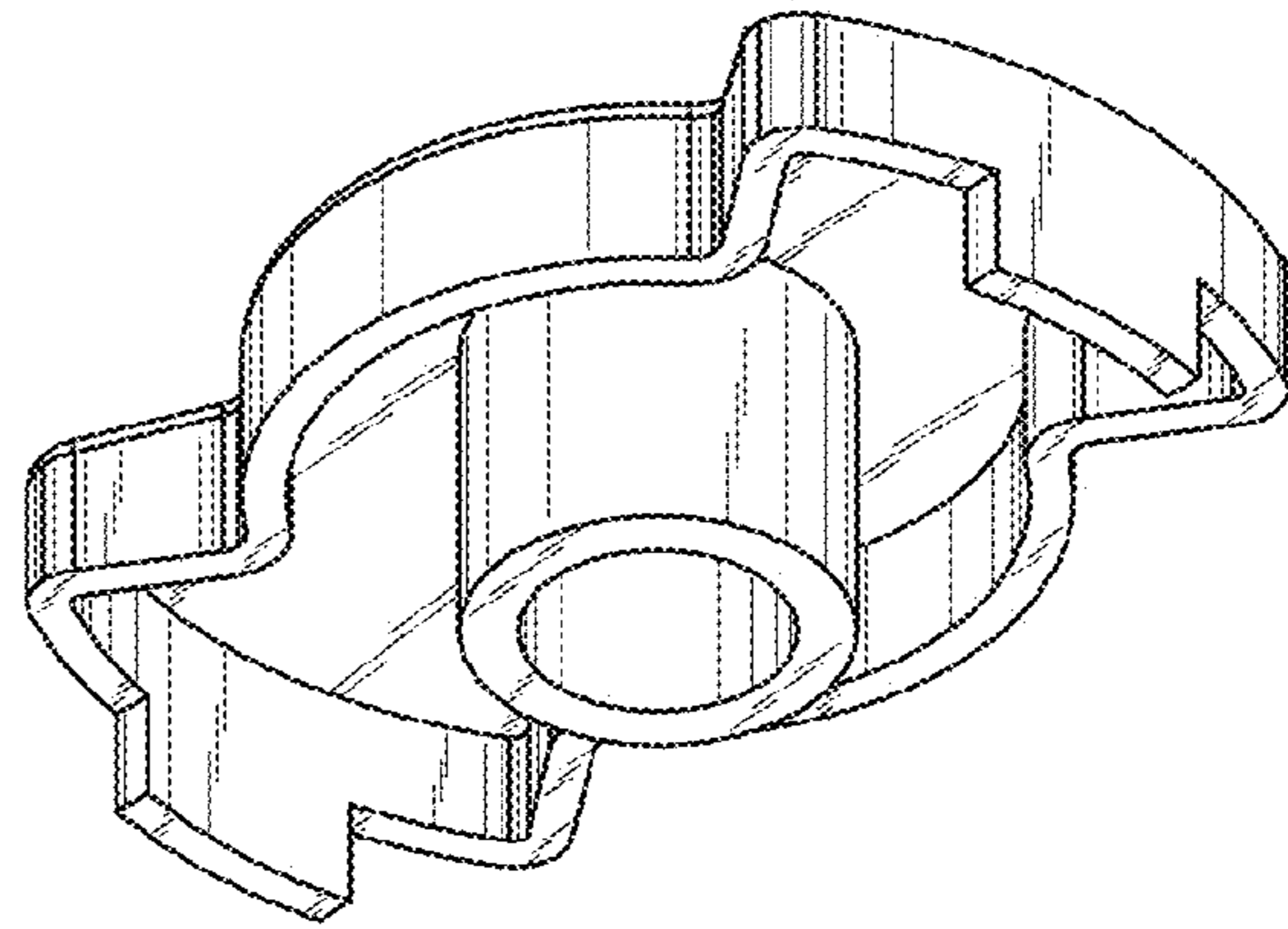


FIG. 18

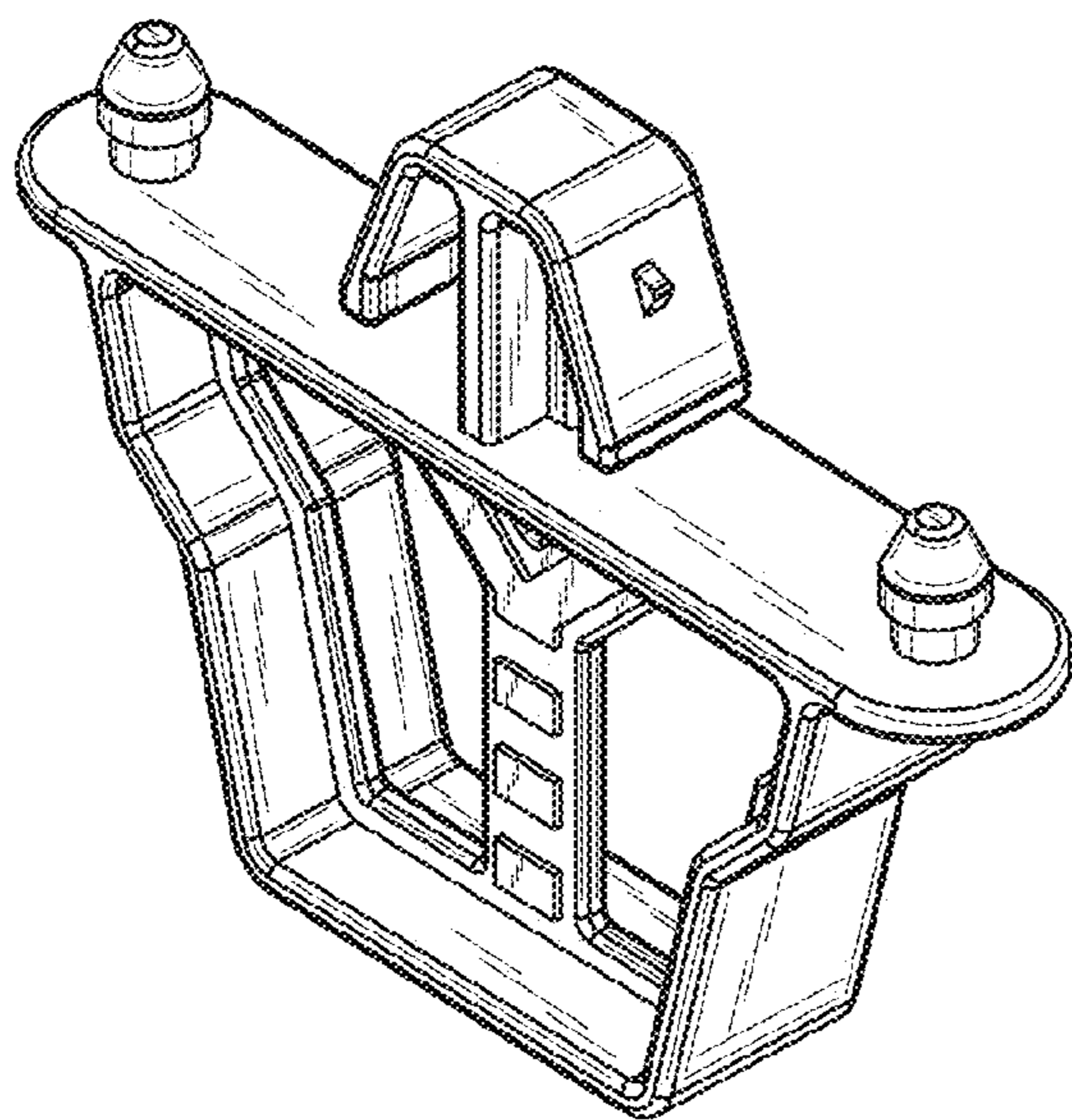


FIG. 19

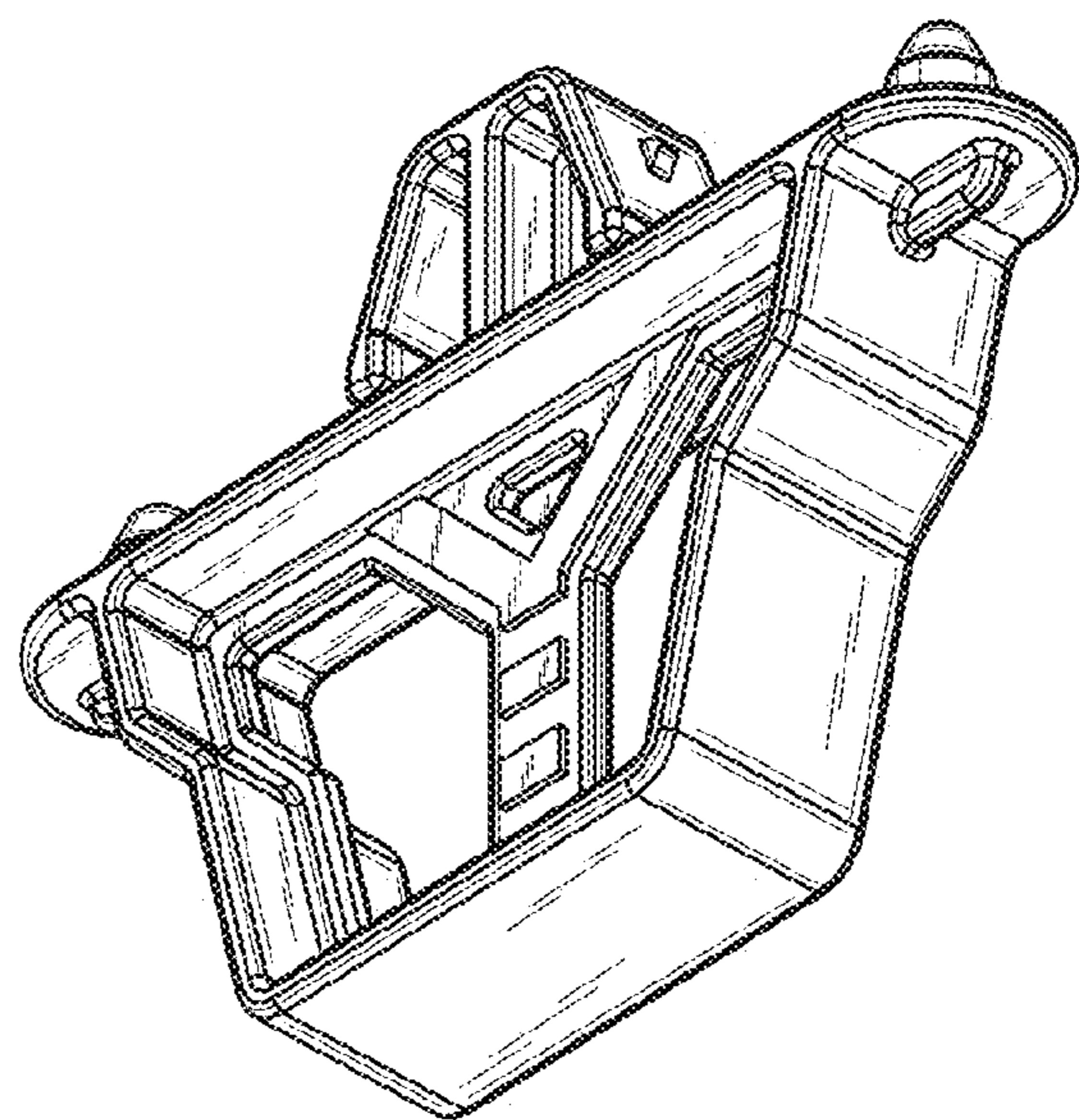


FIG. 20



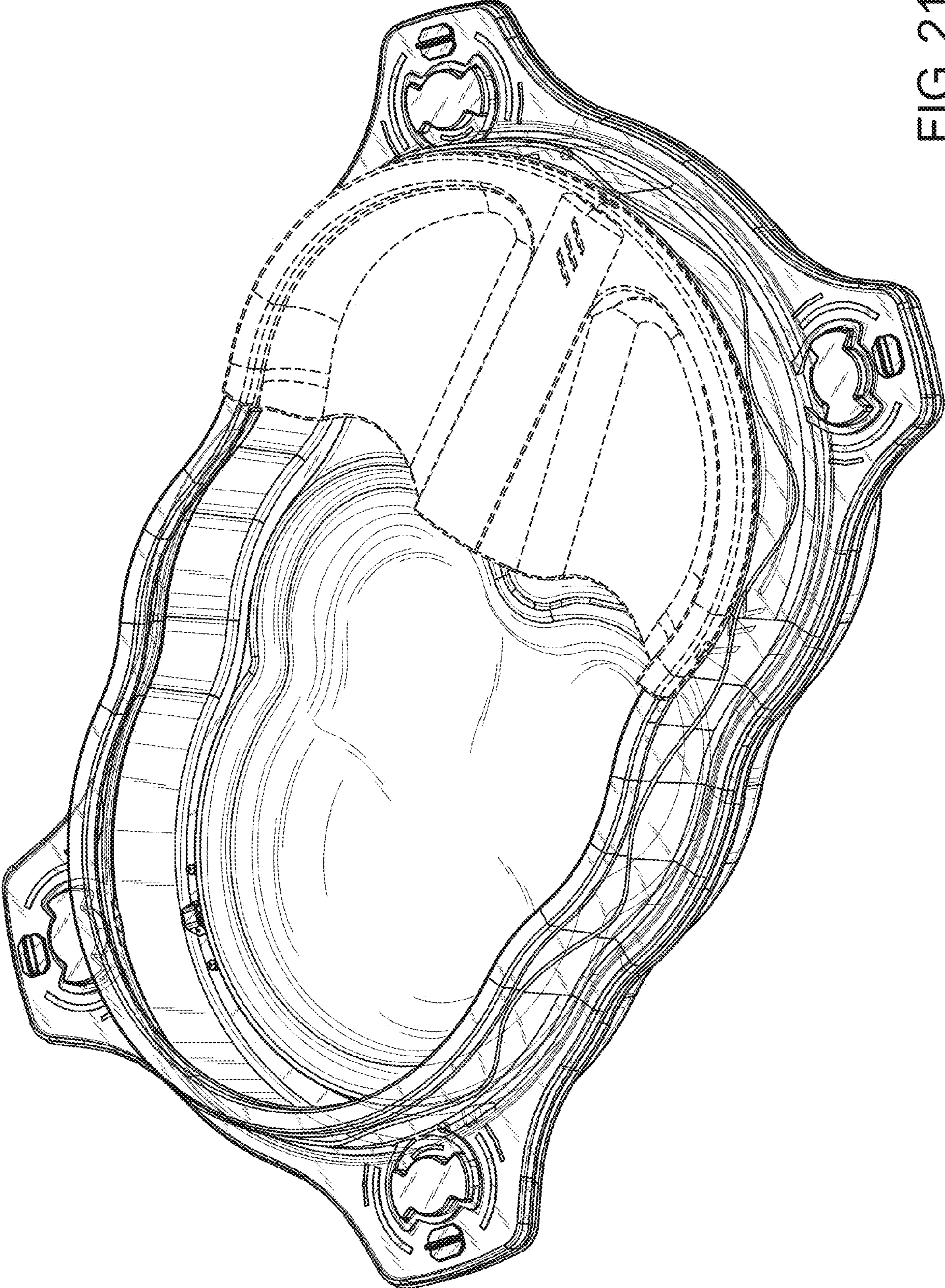


FIG. 21