



US00D951356S

(12) **United States Design Patent**
Tang

(10) **Patent No.:** **US D951,356 S**
(45) **Date of Patent:** **** May 10, 2022**

- (54) **GAMEPAD**
- (71) Applicant: **Shenzhen Targetever Technology Co., Ltd., Shenzhen (CN)**
- (72) Inventor: **Xiancheng Tang, Guangdong (CN)**
- (73) Assignee: **Shenzhen Targetever Technology Co., Ltd., Shenzhen (CN)**
- (**) Term: **15 Years**
- (21) Appl. No.: **29/760,980**
- (22) Filed: **Dec. 4, 2020**
- (51) **LOC (13) Cl.** **21-01**
- (52) **U.S. Cl.**
USPC **D21/333**
- (58) **Field of Classification Search**
USPC D21/325, 326, 327, 333, 324, 328, 332, D21/566, 329, 330, 694; D14/401, 400, D14/454, 412, 496, 416, 418, 413, 203.3, D14/203.5, 218, 415, 252, 414, 419, 457, D14/203, 203.1, 203.7, 204, 217, 240, D14/253, 333, 342, 357, 358, 388, 403, D14/434, 455, 456, 410, 492, 258, 301, D14/393, 432, 489
CPC G06F 1/1666; G06F 17/00; G06F 19/00; A63F 9/24; A63F 13/00; A63F 13/23; A63F 13/235; A63F 13/24; A63F 13/26; A63F 13/843; A63F 13/98; A63F 13/323; A63F 2009/2488; A63F 2009/2407; A63F 2250/52
See application file for complete search history.

- D767,037 S * 9/2016 Chatterjee D21/333
- D772,988 S * 11/2016 Kujawski D14/401
- D799,599 S * 10/2017 Kujawski D21/333
- D799,600 S * 10/2017 Chatterjee D21/333
- D908,800 S * 1/2021 Tang D21/333
- D928,236 S * 8/2021 Zhou D21/333

OTHER PUBLICATIONS

Dahakii Wireless Switch Pro Controller for Kids. Date First Available: Jul. 7, 2021. Retrieved from internet: < <https://www.amazon.com/Switch-Controller-Compatible-Nintendo-Vibration-Headphone/dp/B098T4JT98/> > [site visited Jan. 27, 2022] (Year: 2021).*

Wireless Pro Controller for Switch Controller. Date First Available: Oct. 12, 2021. Retrieved from internet: < <https://www.amazon.com/dp/B09DSL2346/> > [site visited Jan. 27, 2022] (Year: 2021).*

* cited by examiner

Primary Examiner — Jonathan J Han
Assistant Examiner — Yuan Yuan
 (74) *Attorney, Agent, or Firm* — ScienBiziP, P.C.

(57) **CLAIM**

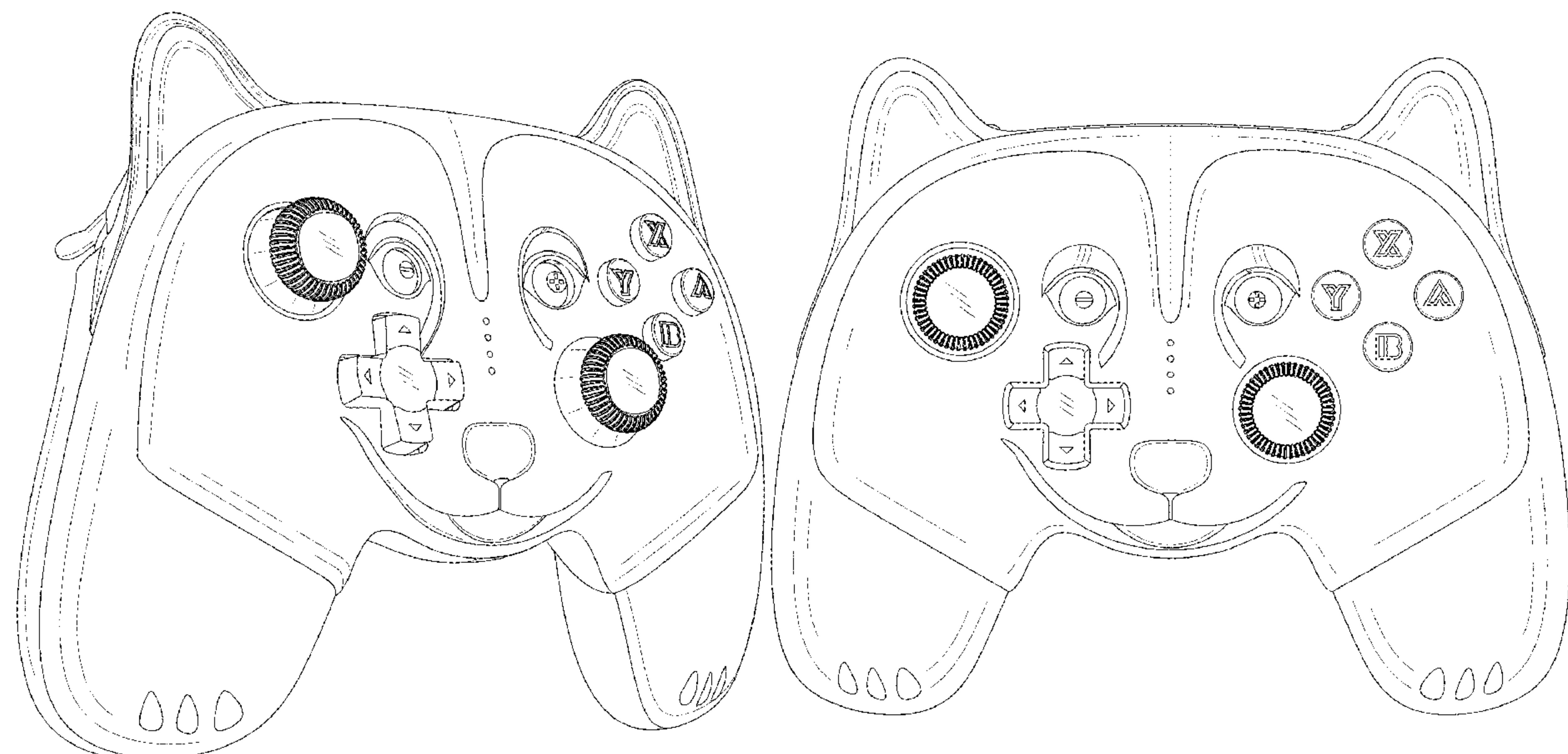
The ornamental design for a gamepad, as shown and described.

DESCRIPTION

FIG. 1 is a front perspective view of a gamepad, showing my design.
 FIG. 2 is a rear and top perspective view of the gamepad.
 FIG. 3 is a front elevation view thereof.
 FIG. 4 is a rear elevation view thereof.
 FIG. 5 is a left side elevation view thereof.
 FIG. 6 is a right side elevation view thereof.
 FIG. 7 is a top plan view thereof; and,
 FIG. 8 is a bottom plan view thereof.
 The broken lines shown in the figures represent portions of the gamepad that form no part of the claimed design.

1 Claim, 8 Drawing Sheets

- (56) **References Cited**
U.S. PATENT DOCUMENTS
D640,696 S * 6/2011 Lovoi D14/401
D709,499 S * 7/2014 Morris D14/401



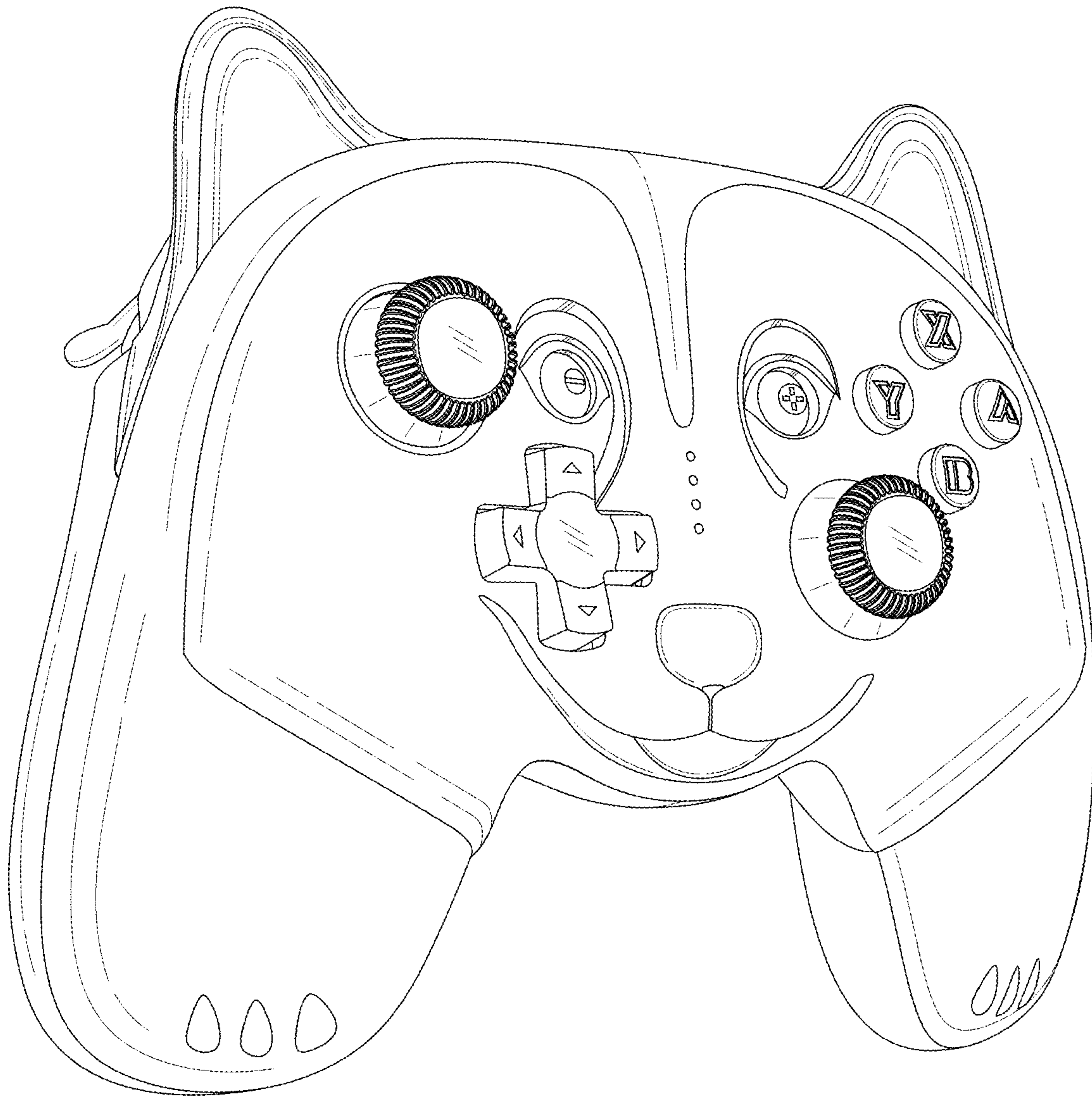


FIG. 1



FIG.2

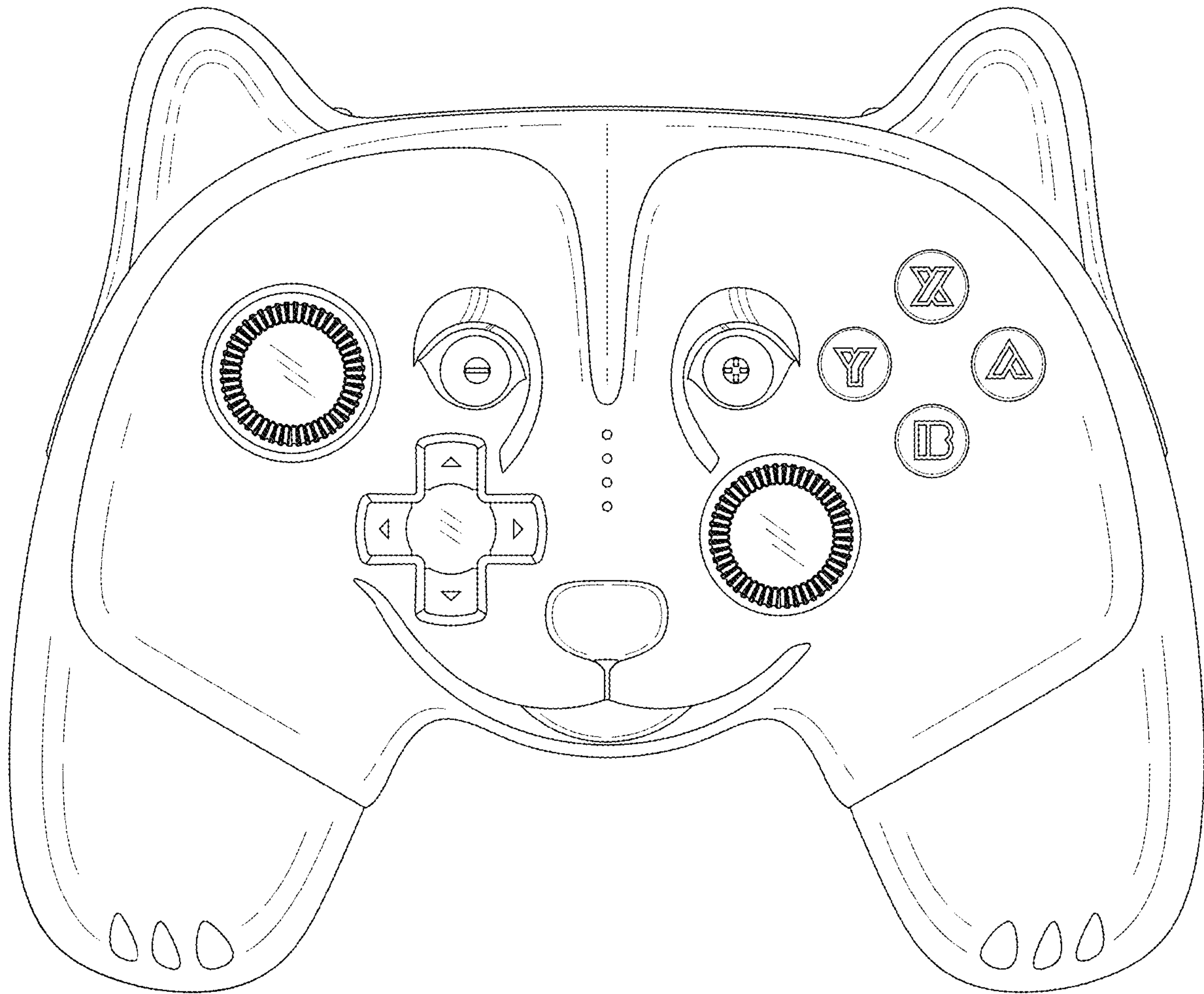


FIG.3

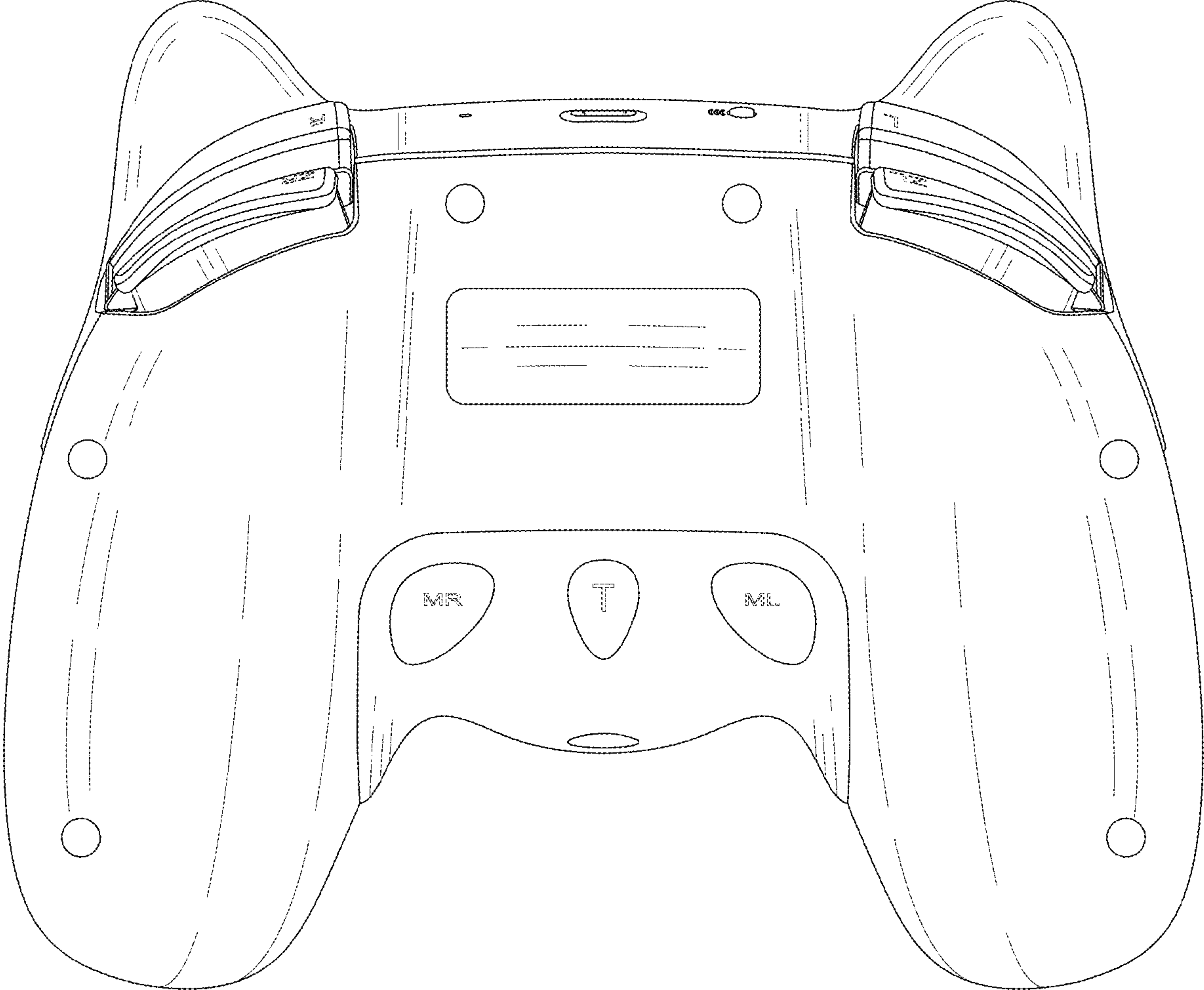


FIG.4

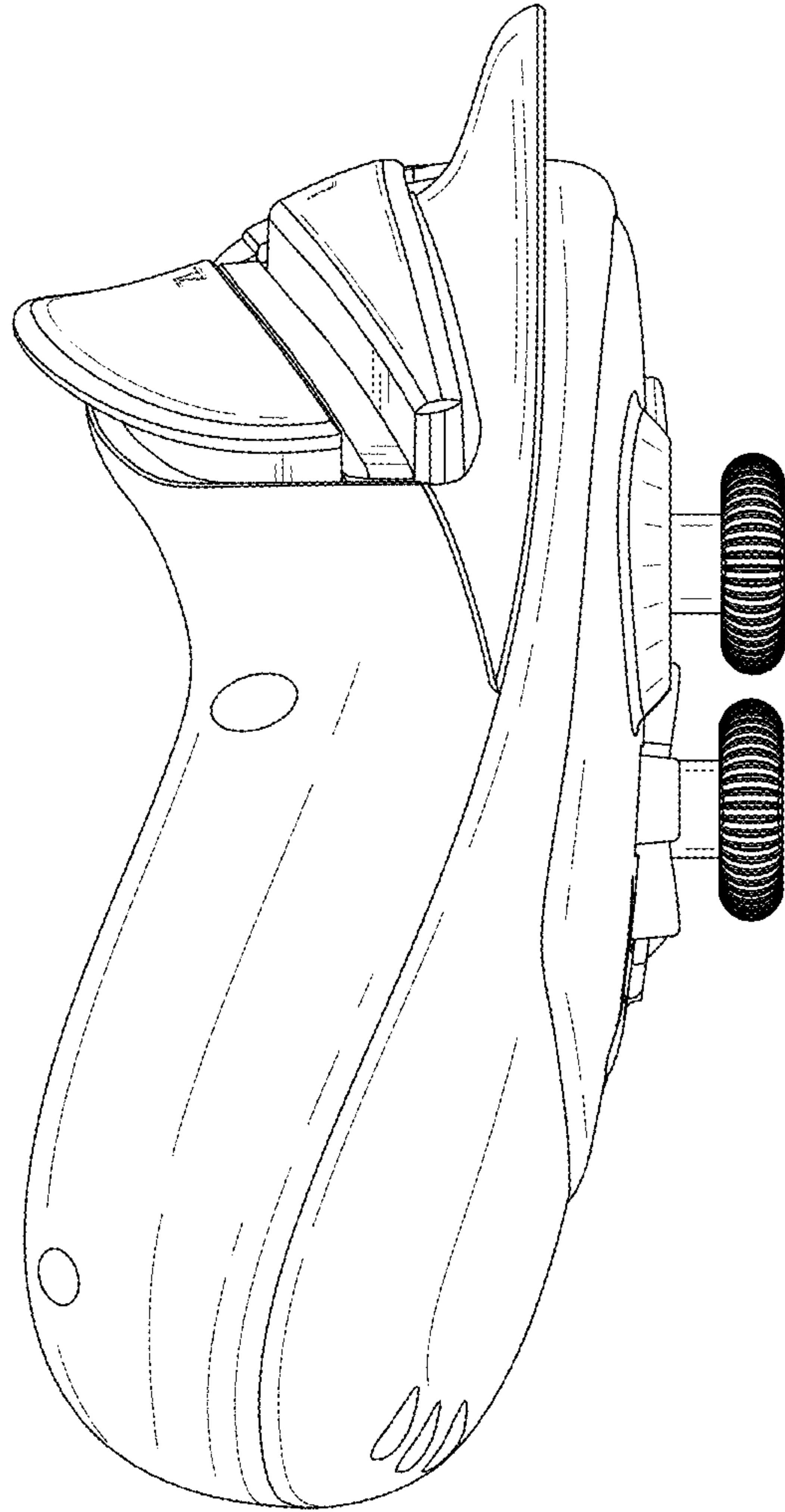


FIG.5

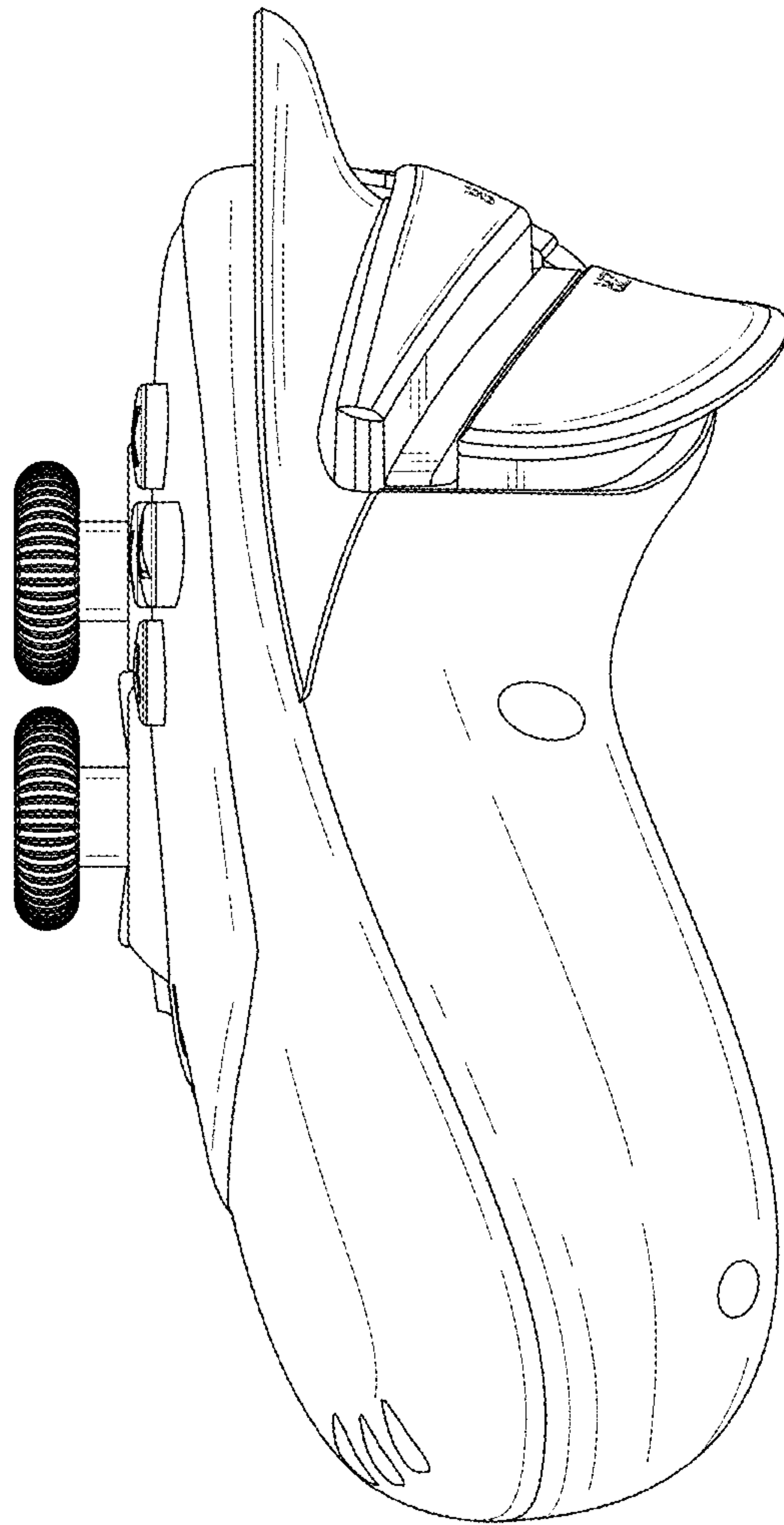


FIG.6

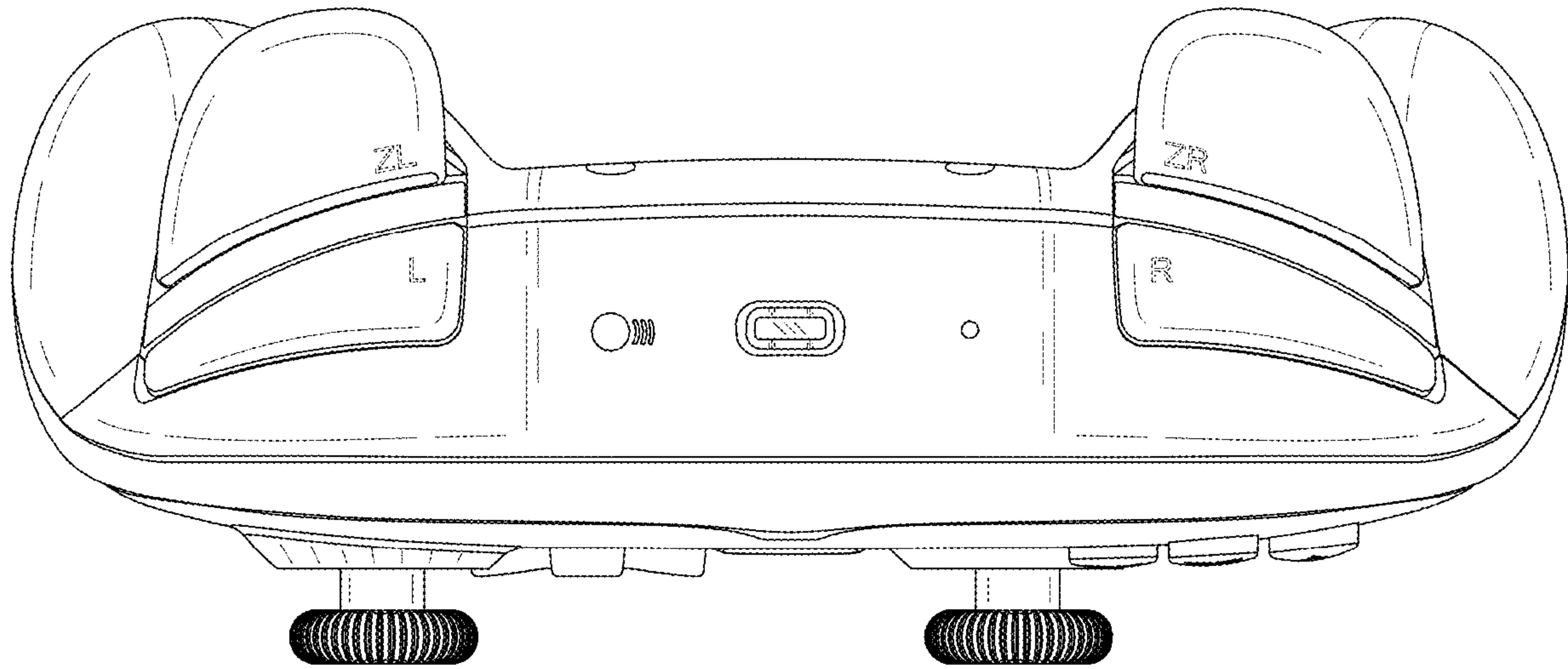


FIG.7

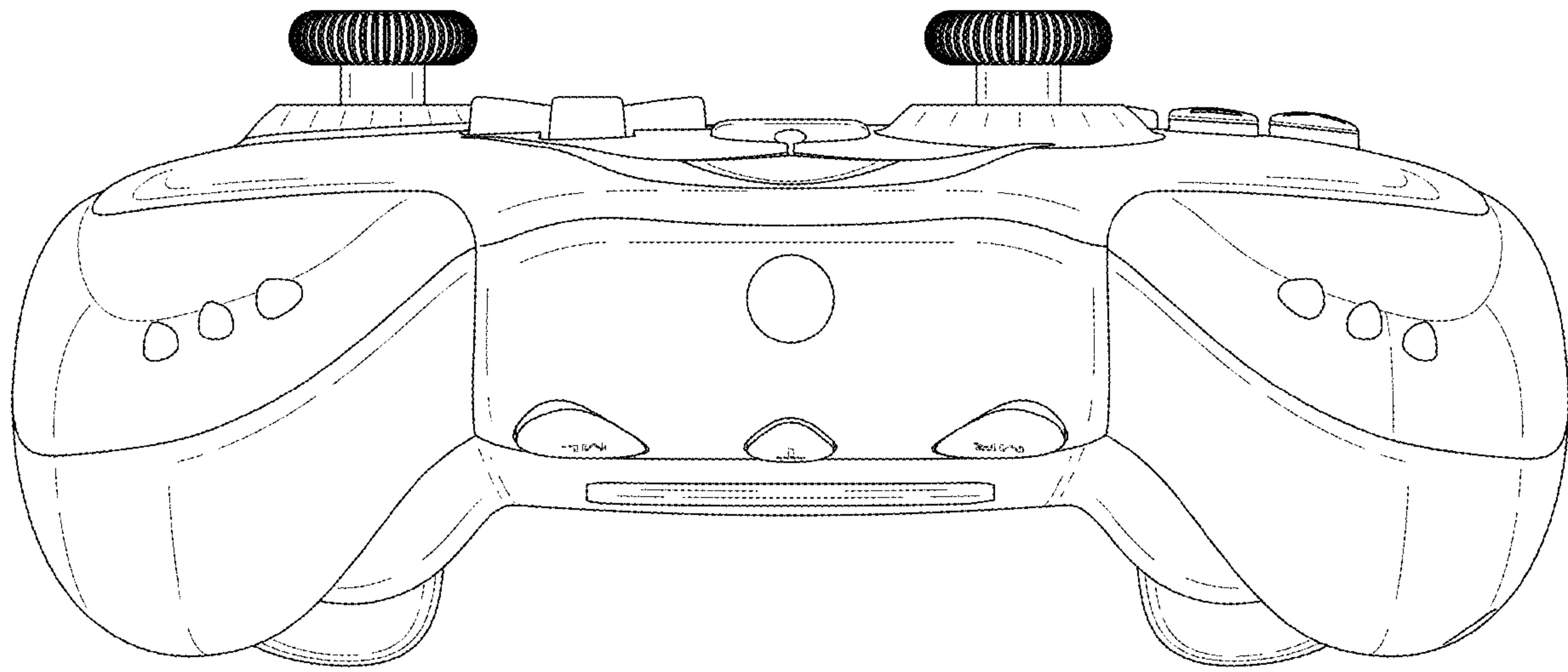


FIG.8