



US00D951354S

(12) **United States Design Patent**
Feng

(10) **Patent No.:** **US D951,354 S**
(45) **Date of Patent:** **** May 10, 2022**

(54) **GAME CONTROLLER**

FOREIGN PATENT DOCUMENTS

(71) Applicant: **Qisheng Feng**, Guangdong (CN)

CN 304327662 * 7/2010

(72) Inventor: **Qisheng Feng**, Guangdong (CN)

OTHER PUBLICATIONS

(**) Term: **15 Years**

(21) Appl. No.: **29/729,215**

Forty4 Wireless Gaming Controller, first available Jan. 10, 2021, www.amazon.com [online], site visited Jan. 6, 2022], Available from internet URL: https://amzn.to/3HxZbaW (Year: 2021).*
GameSir T4 pro Wireless Game Controller, first available Nov. 7, 2018, www.amazon.com [online], site visited Jan. 6, 2022], Available from internet URL: https://amzn.to/3HDxi16 (Year: 2018).*

(22) Filed: **Mar. 25, 2020**

(51) **LOC (13) Cl.** **21-01**

(52) **U.S. Cl.**

USPC **D21/333**

* cited by examiner

(58) **Field of Classification Search**

USPC D14/203.3, 218, 358, 383, 388, 400-401, D14/417, 426-431, 454; D21/320, D21/324-333

Primary Examiner — Garth Rademaker
Assistant Examiner — Salamah Jordan

CPC A63F 13/06; A63F 13/08; A63F 13/22; A63F 13/24; A63F 13/40; A63F 13/42; A63F 13/98; A63F 9/24; G06F 3/0338

See application file for complete search history.

(57) **CLAIM**

The ornamental design for a game controller, as shown.

(56) **References Cited**

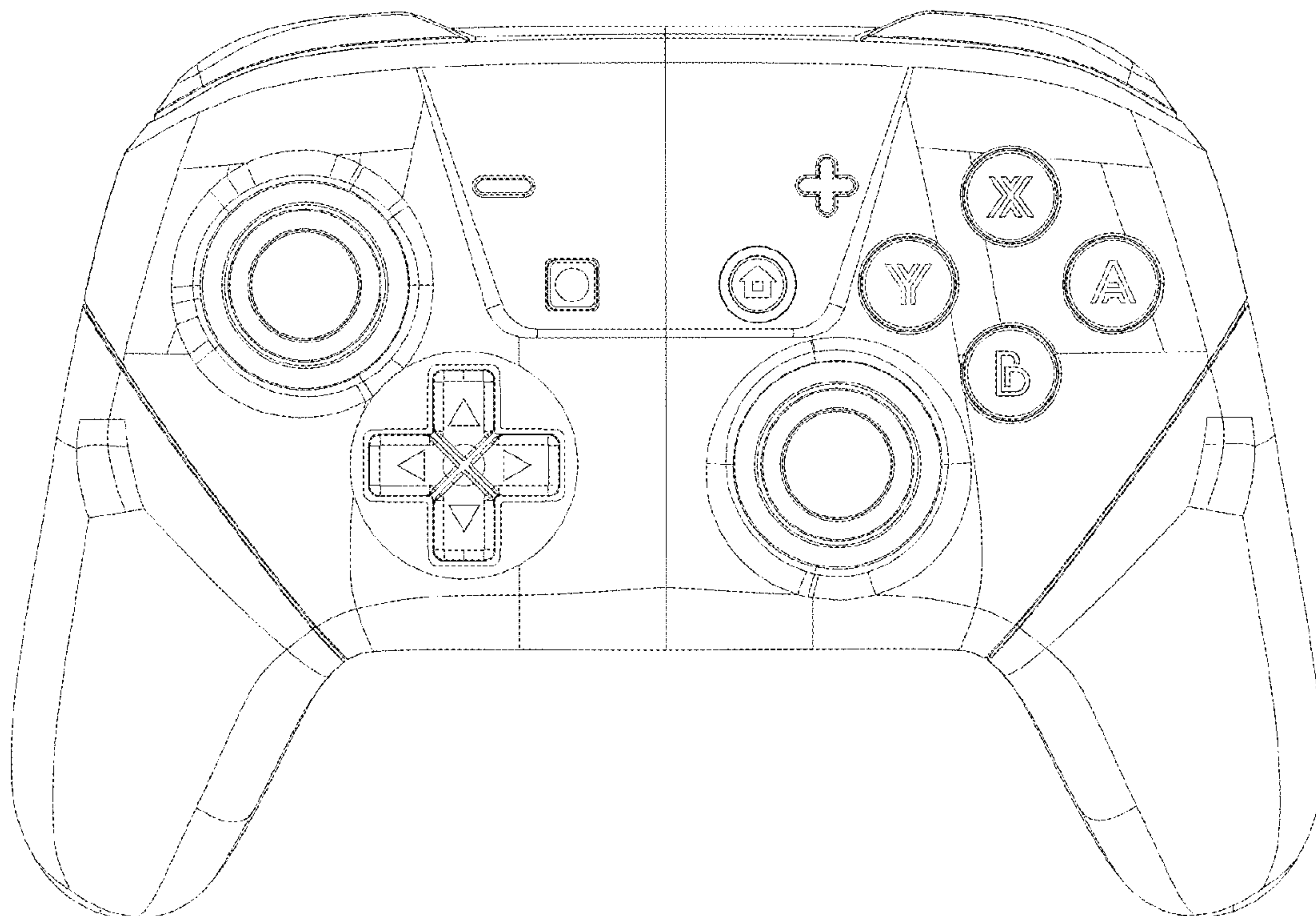
DESCRIPTION

U.S. PATENT DOCUMENTS

D709,499 S	*	7/2014	Morris	D14/401
D799,599 S	*	10/2017	Kujawski	D21/333
D799,600 S	*	10/2017	Chatterjee	D21/333
D819,641 S	*	6/2018	Tsuchiya	D14/401
D854,619 S	*	7/2019	Konishi	D21/333
D882,691 S	*	4/2020	Tsuchiya	D21/333
D903,768 S	*	12/2020	Tsuchiya	D21/333
D907,119 S	*	1/2021	Zhou	D21/333
D921,116 S	*	6/2021	Zhou	D21/333
D924,977 S	*	7/2021	Saito	D21/333

FIG. 1 is a front elevational view of a game controller showing my new design;
FIG. 2 is a rear elevational view thereof;
FIG. 3 is a left side view thereof shown in enlarged scale;
FIG. 4 is a right side view thereof shown in enlarged scale;
FIG. 5 is a top plan view thereof;
FIG. 6 is a bottom plan view thereof;
FIG. 7 is a top perspective view thereof; and,
FIG. 8 is a bottom perspective view thereof.

1 Claim, 8 Drawing Sheets



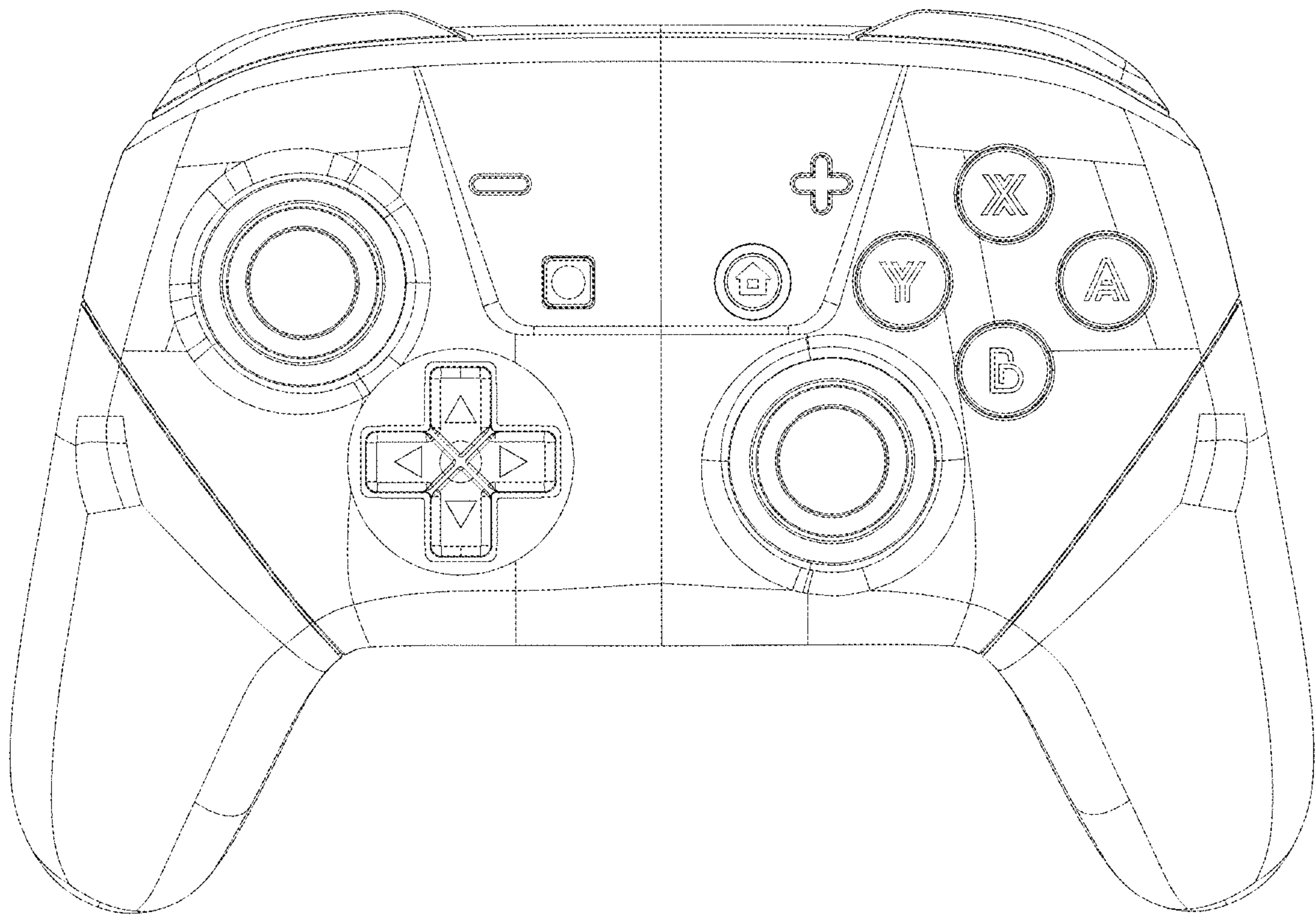


Fig. 1

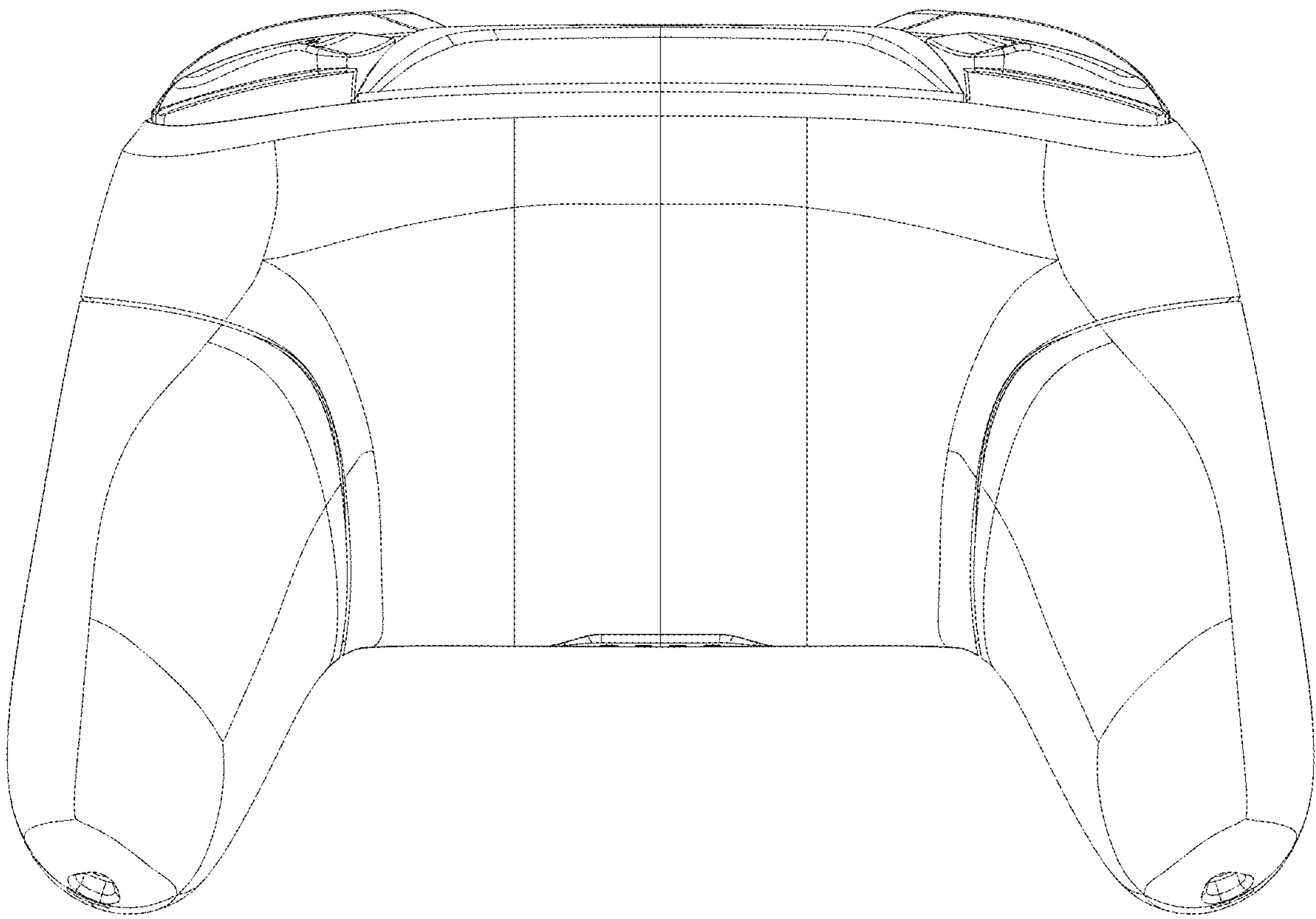


Fig. 2

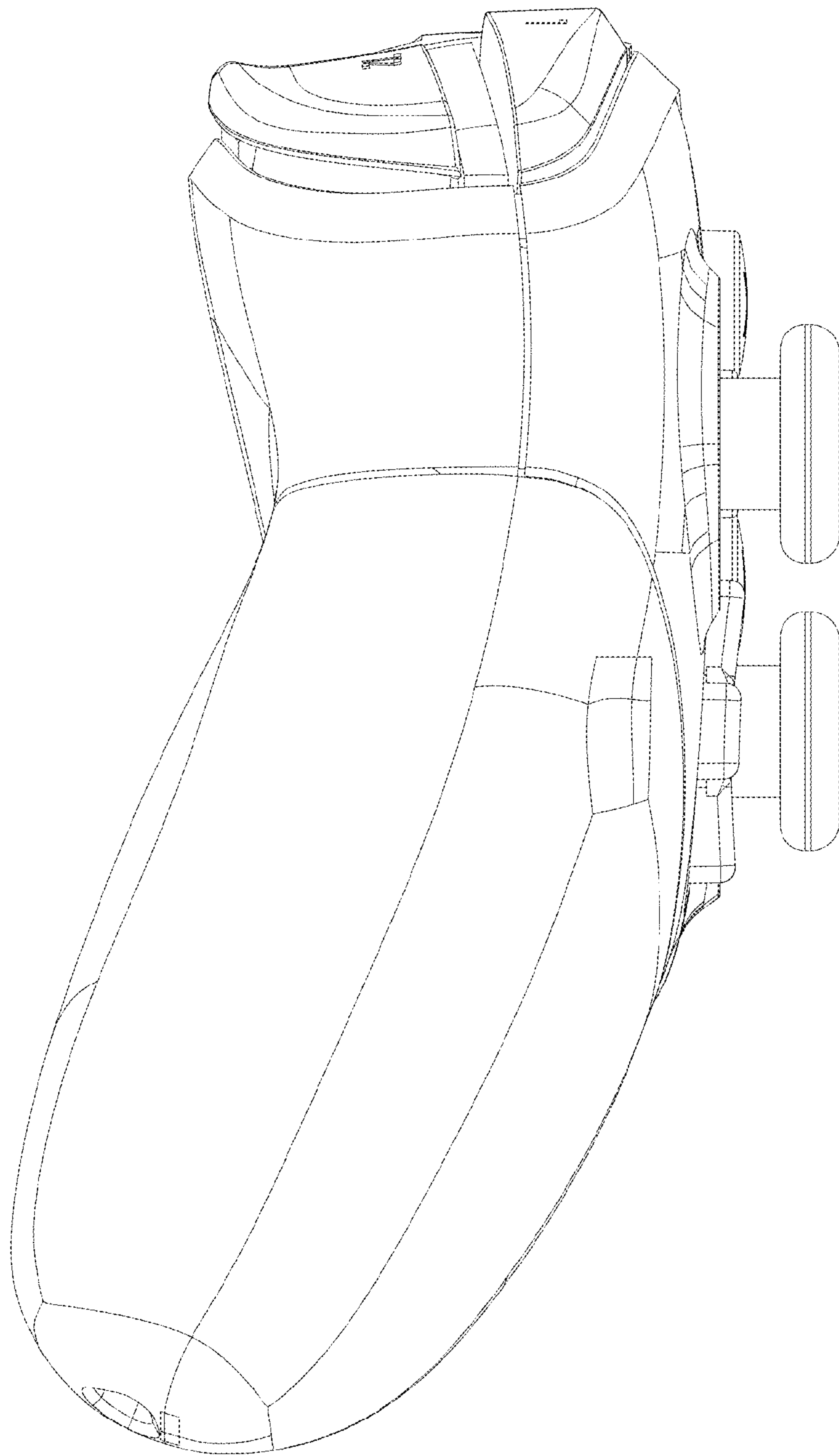


FIG. 3

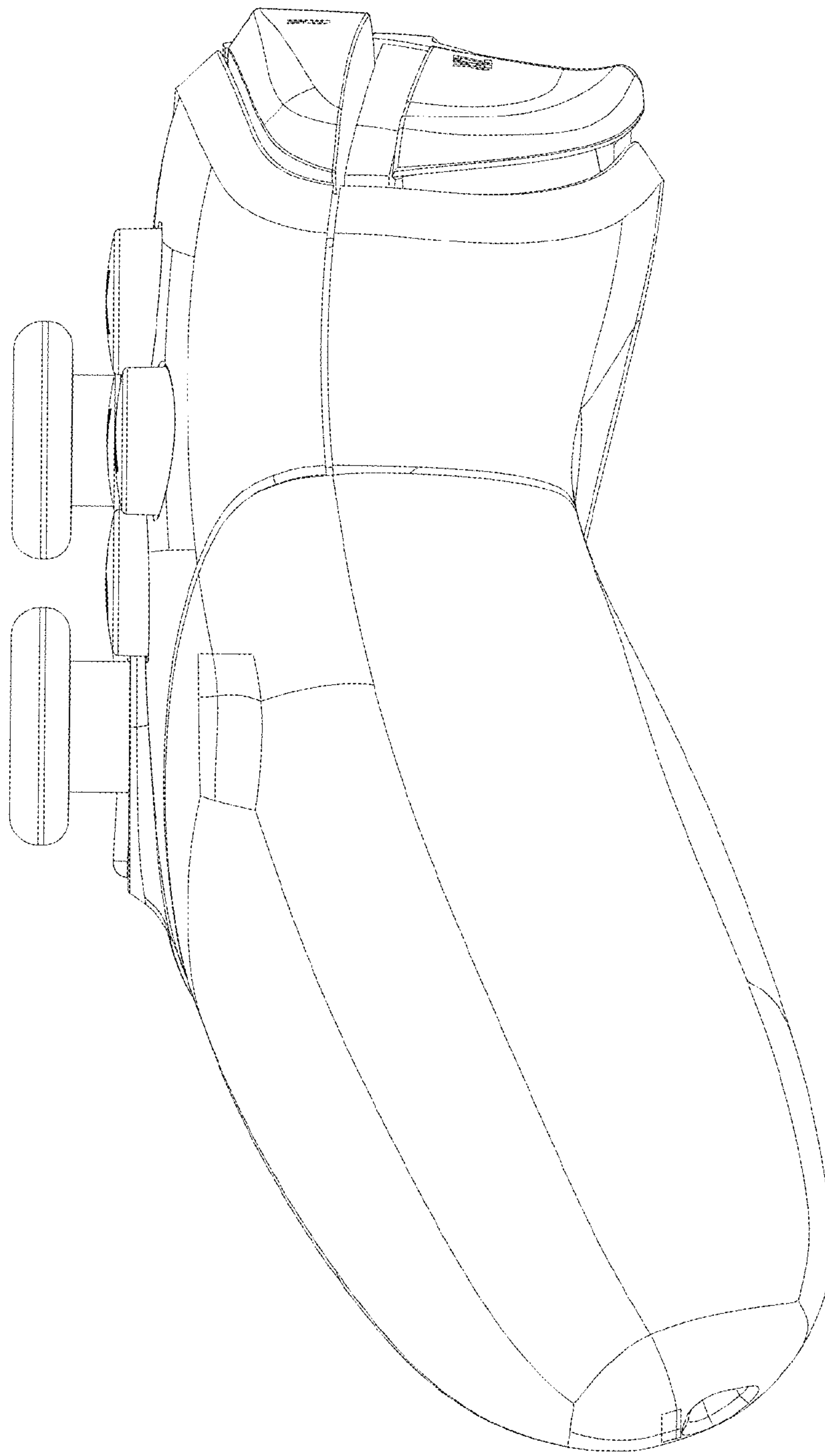


FIG. 4

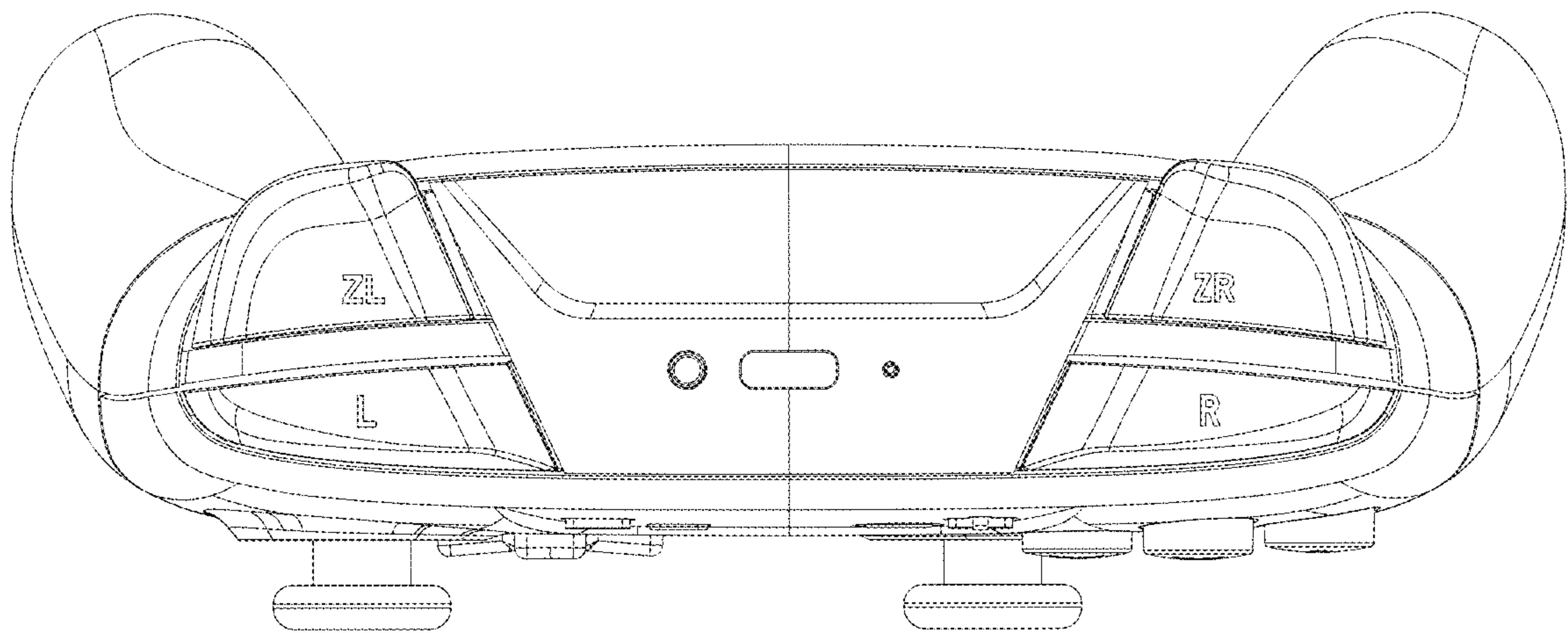


Fig. 5

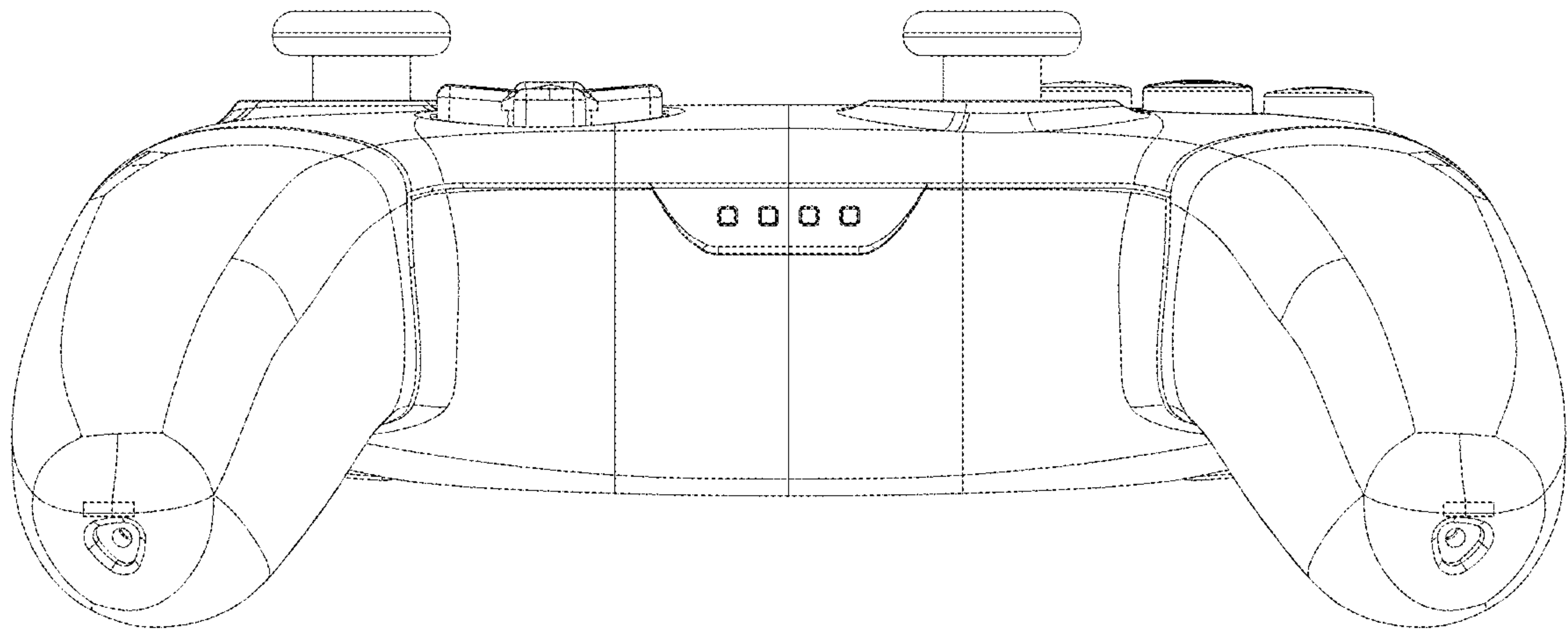


Fig. 6

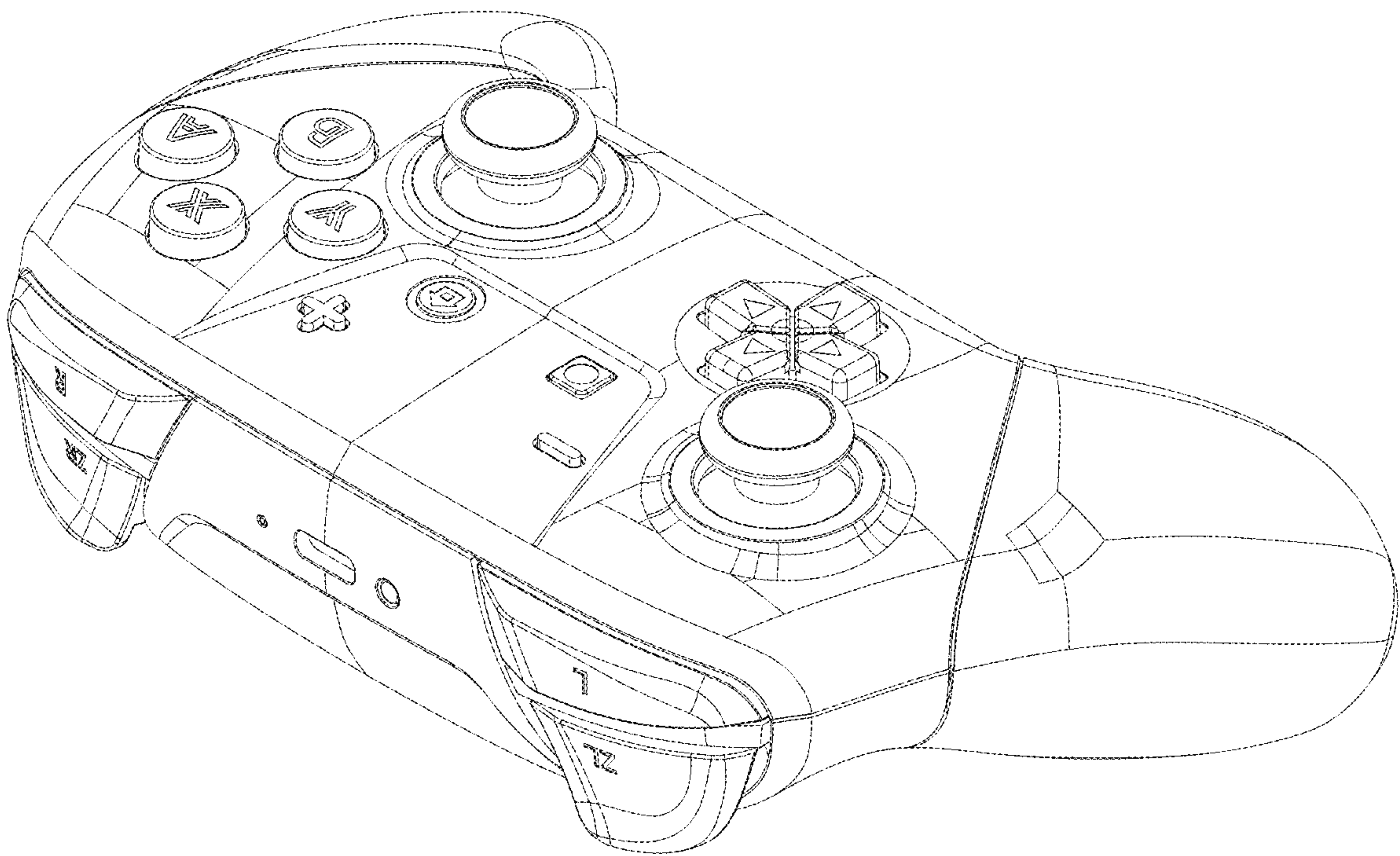


Fig. 7

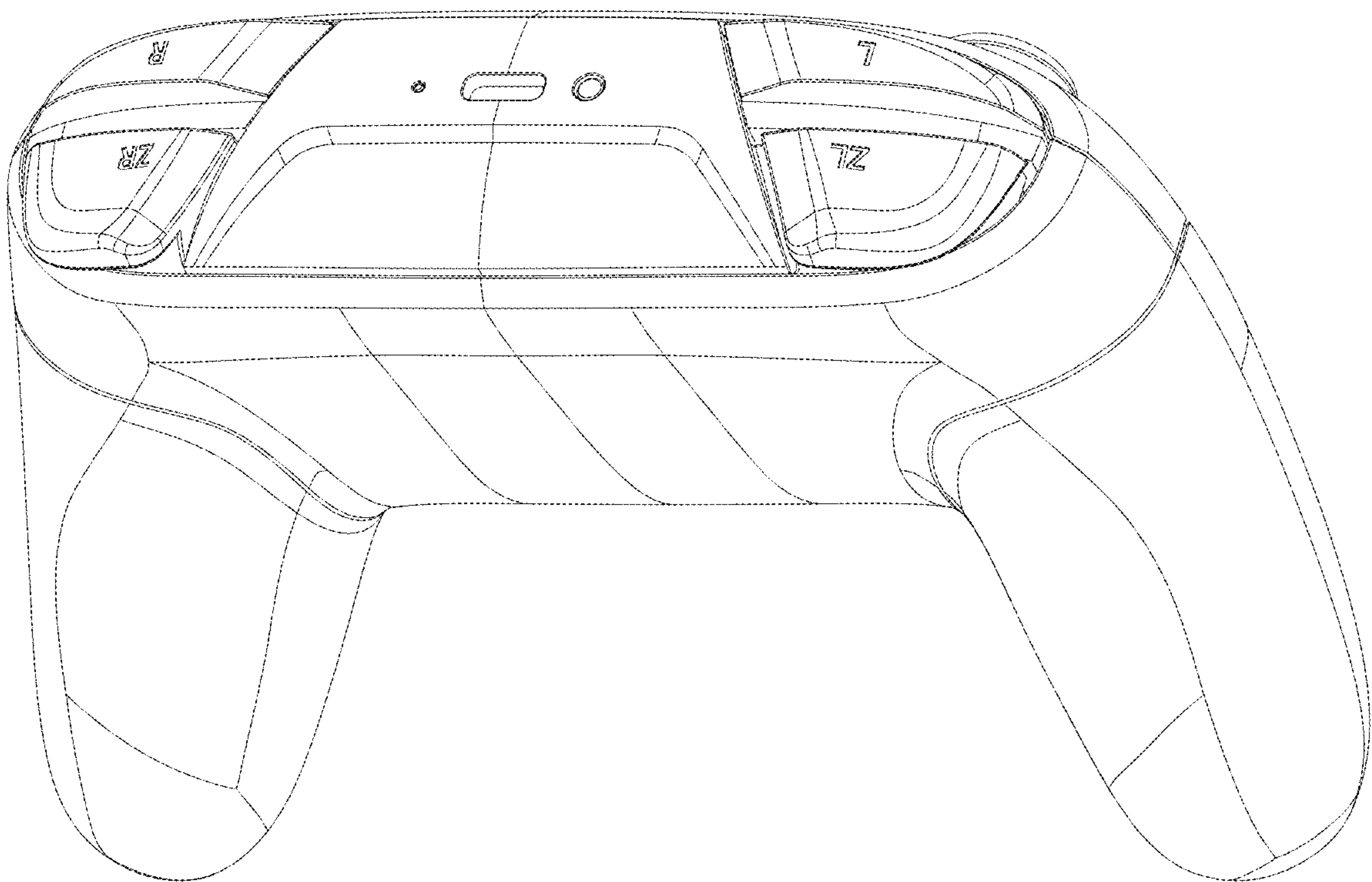


Fig. 8