



US00D951353S

(12) **United States Design Patent** (10) **Patent No.:** **US D951,353 S**  
Lv (45) **Date of Patent:** **\*\* May 10, 2022**

(54) **CONSOLE**

(71) Applicant: **SHANDONG XIANGZI TECHNOLOGY DEVELOPMENT CO., LTD.**, Jinan (CN)

(72) Inventor: **Jiaxiang Lv**, Jinan (CN)

(73) Assignee: **SHANDONG XIANGZI TECHNOLOGY DEVELOPMENT CO., LTD.**, Jinan (CN)

(\*\*) Term: **15 Years**

(21) Appl. No.: **29/773,495**

(22) Filed: **Mar. 10, 2021**

(30) **Foreign Application Priority Data**

Jan. 15, 2021 (CN) ..... 202130028376.4

(51) **LOC (13) Cl.** ..... **21-01**

(52) **U.S. Cl.**  
USPC ..... **D21/332**

(58) **Field of Classification Search**  
USPC ..... D21/324, 330, 332, 333; D14/299, 496, D14/502, 505, 506; D13/168  
CPC .... A63F 13/24; A63F 9/00; A63F 9/24; A63F 11/00; A63F 13/00; A63F 13/02; A63F 2300/00; G07F 17/00

See application file for complete search history.

(56) **References Cited**

**U.S. PATENT DOCUMENTS**

D459,339 S \* 6/2002 Tong ..... D14/197  
D483,809 S \* 12/2003 Lim ..... D14/496  
D491,564 S \* 6/2004 Chaney ..... D14/425  
D493,907 S \* 8/2004 Benensohn ..... D26/89  
D510,566 S \* 10/2005 Johanneck ..... D13/171  
D516,634 S \* 3/2006 Man-tat ..... D21/332  
D523,859 S \* 6/2006 Deckers ..... D14/435  
D530,341 S \* 10/2006 Maruyama ..... D14/356  
D556,835 S \* 12/2007 Ashida ..... D21/324  
D576,686 S \* 9/2008 Ashida ..... D21/324

D594,475 S \* 6/2009 Liang ..... D14/500  
D645,909 S \* 9/2011 Fujita ..... D21/330  
D650,760 S \* 12/2011 Hussell ..... D13/180  
D651,194 S \* 12/2011 Fathollahi ..... D14/215  
D657,788 S \* 4/2012 Ledbetter ..... D14/363  
D664,993 S \* 8/2012 Ledbetter ..... D14/496  
D665,424 S \* 8/2012 Ledbetter ..... D14/496  
D689,451 S \* 9/2013 Shimonishi ..... D13/180  
D709,959 S \* 7/2014 Jacobs ..... D21/332  
D710,824 S \* 8/2014 Mackiewicz ..... D14/214  
D713,420 S \* 9/2014 Dallmeyer ..... D14/495  
D714,456 S \* 9/2014 Lura ..... D24/185  
D716,304 S \* 10/2014 Orthey ..... D14/420

(Continued)

**OTHER PUBLICATIONS**

“Wireless Game Console”, posted Jan. 28, 2021 [Online], [retrieved May 8, 2021]. Retrieved from Internet: [https://www.amazon.com/Wireless-Console-Handheld-Consoles-Controllers/dp/B08Q8DSL87/ref=rtpb\\_7?pd\\_rd\\_w=A30pV&pf\\_rd\\_p=be844577-fee7-4bbc-8dda-083e56cc6f0d&pf\\_rd\\_r=MEBCC3JJ3WVF9FXR44S9&pd\\_rd\\_r=eeb7556b-f8d5-4dcc-b61](https://www.amazon.com/Wireless-Console-Handheld-Consoles-Controllers/dp/B08Q8DSL87/ref=rtpb_7?pd_rd_w=A30pV&pf_rd_p=be844577-fee7-4bbc-8dda-083e56cc6f0d&pf_rd_r=MEBCC3JJ3WVF9FXR44S9&pd_rd_r=eeb7556b-f8d5-4dcc-b61).\*

Primary Examiner — Mehri F Bajoul

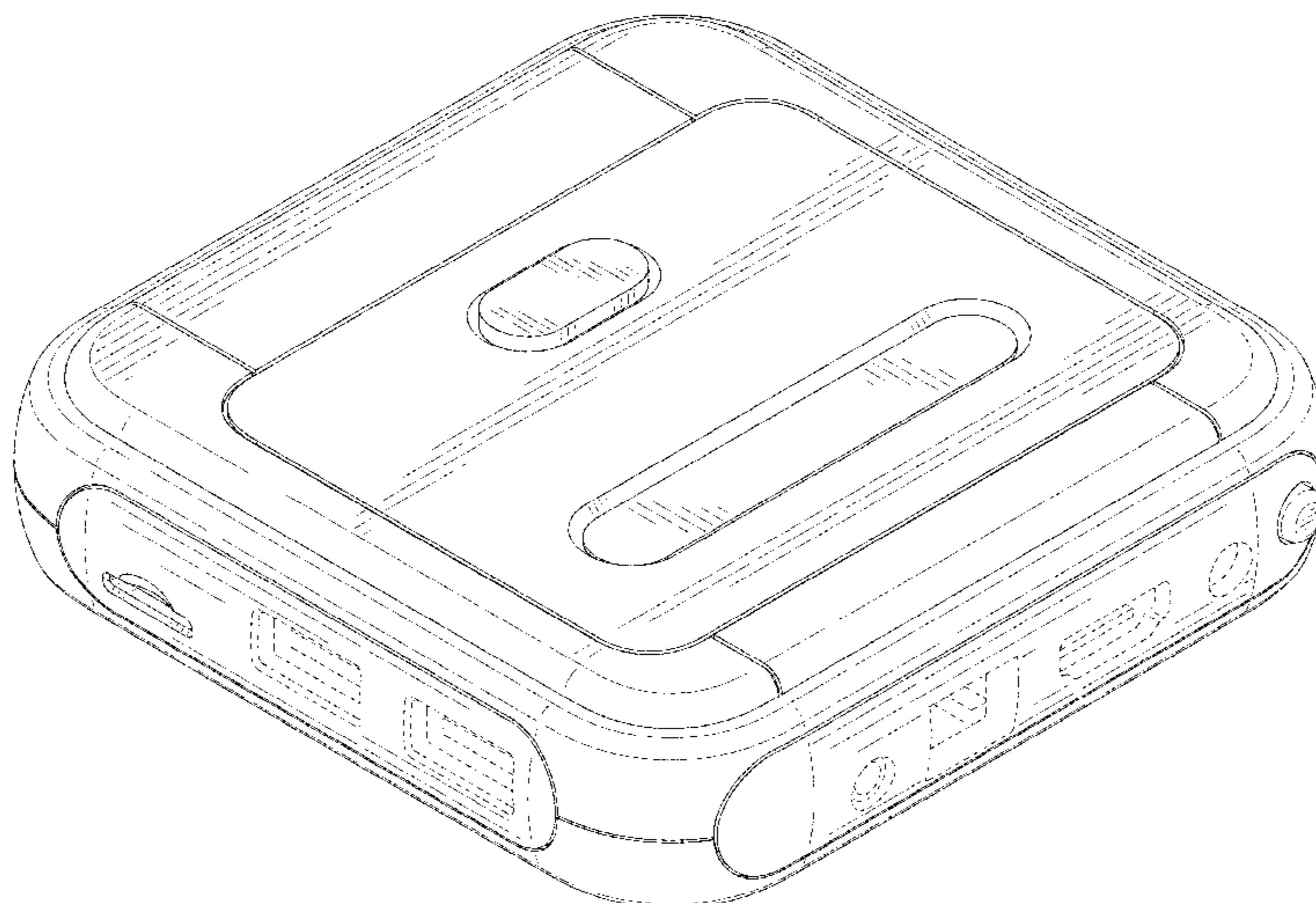
(57) **CLAIM**

The ornamental design for a console, as shown and described.

**DESCRIPTION**

FIG. 1 is a perspective view of a console showing my new design;  
FIG. 2 is another perspective view thereof;  
FIG. 3 is a front elevational view thereof;  
FIG. 4 is a rear elevational view thereof;  
FIG. 5 is a left side elevational view thereof;  
FIG. 6 is a right side elevational view thereof;  
FIG. 7 is a top plan view thereof; and,  
FIG. 8 is a bottom plan view thereof.  
The broken lines in the drawings depict portions of the console that form no part of the claimed design.

**1 Claim, 8 Drawing Sheets**



(56)

References Cited

U.S. PATENT DOCUMENTS

D722,116 S *	2/2015	Gottschalk .....	D21/332	D826,838 S	8/2018	Boyes et al.	
D722,983 S *	2/2015	Paredes .....	D13/168	D827,032 S *	8/2018	Christie .....	D21/332
D725,049 S *	3/2015	Paredes .....	D13/168	D839,355 S *	1/2019	Christie .....	D21/332
D729,761 S *	5/2015	Hu .....	D14/194	D840,536 S *	2/2019	Clifford .....	D24/138
D738,755 S *	9/2015	Druce .....	D10/50	D842,154 S *	3/2019	Dimitriadis .....	D10/106.2
D746,975 S *	1/2016	Schenck .....	D24/111	D843,351 S *	3/2019	Osborn .....	D14/214
D758,993 S *	6/2016	Shi .....	D14/214	D845,931 S *	4/2019	Kosuge .....	D14/218
D766,984 S *	9/2016	Chatterjee .....	D14/496	D854,509 S *	7/2019	Wu .....	D14/168
D781,250 S *	3/2017	Cartwright .....	D13/168	D864,321 S	10/2019	Weston	
D782,536 S *	3/2017	Chu .....	D14/496	D869,503 S *	12/2019	Johnson .....	D14/496
D786,803 S *	5/2017	Kim .....	D13/168	D873,793 S *	1/2020	DeLuna .....	D14/214
D792,409 S *	7/2017	Shim .....	D14/435	D876,356 S *	2/2020	Tanaka .....	D13/123
D805,133 S *	12/2017	Sparks .....	D21/332	D891,380 S *	7/2020	Li .....	D13/168
D806,657 S *	1/2018	Russo .....	D13/168	D892,064 S *	8/2020	Tang .....	D13/168
D813,222 S *	3/2018	Driscoll .....	D14/299	D892,097 S *	8/2020	Bell .....	D14/240
D824,327 S *	7/2018	Kim .....	D13/103	D899,397 S *	10/2020	Kim .....	D14/204
D824,365 S *	7/2018	Vogt, Jr. ....	D14/214	D906,275 S *	12/2020	Zhang .....	D14/172
D826,334 S *	8/2018	Christie .....	D21/332	D906,959 S *	1/2021	Turksu .....	D13/108
				D907,704 S *	1/2021	Huang .....	D21/333
				D911,955 S *	3/2021	Turksu .....	D13/108
				D912,155 S *	3/2021	Yang .....	D21/333

\* cited by examiner

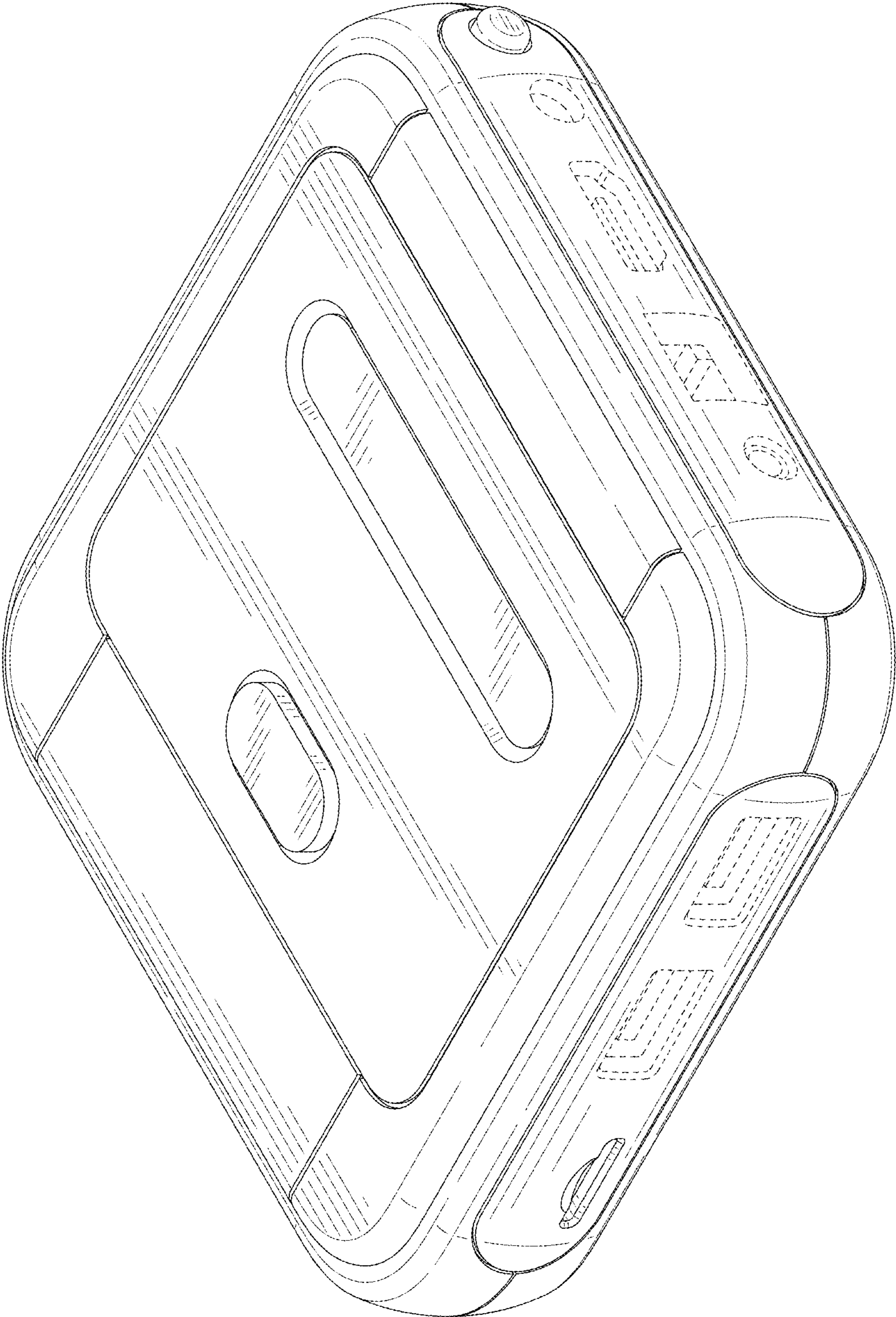


FIG. 1

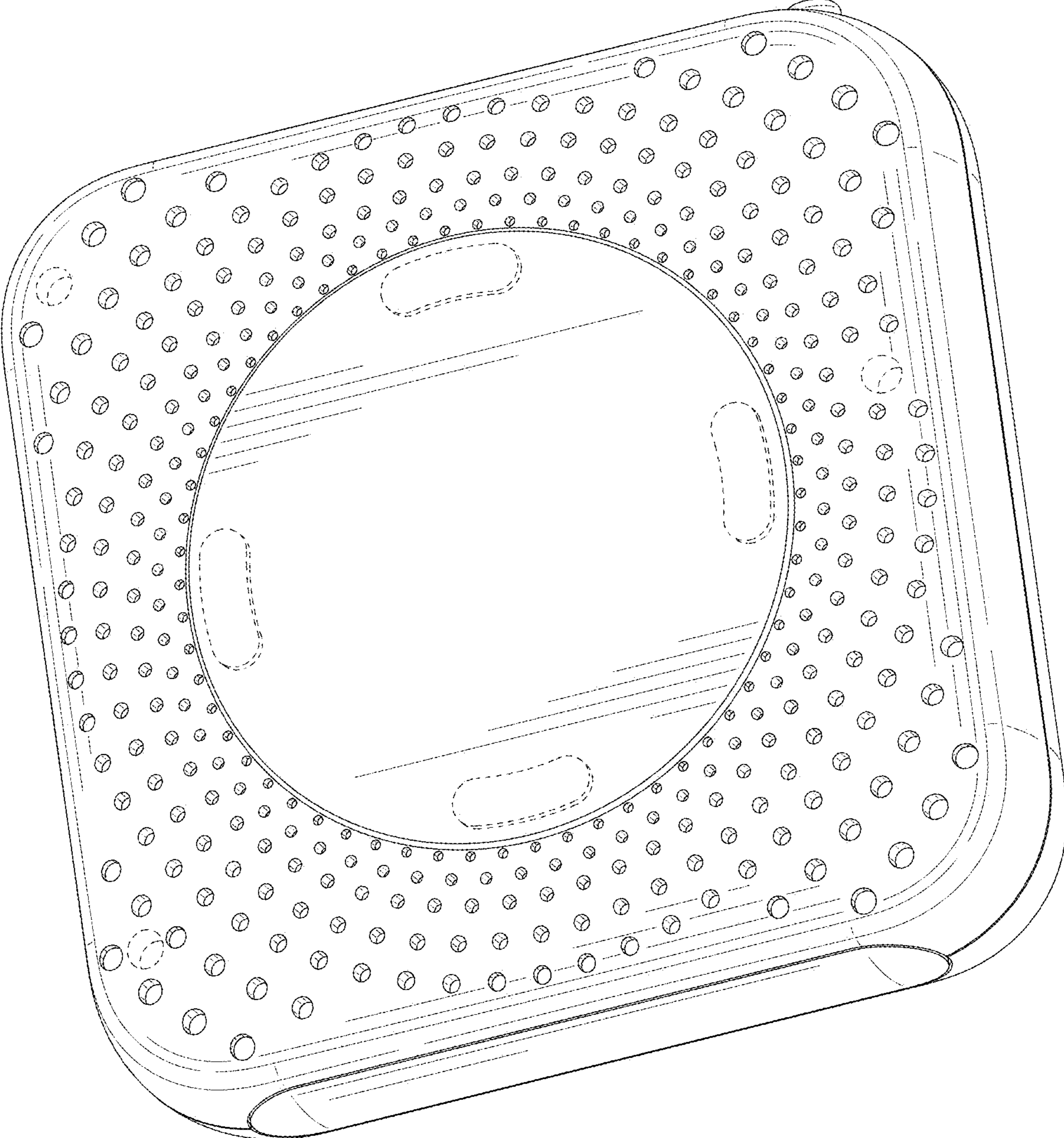


FIG. 2

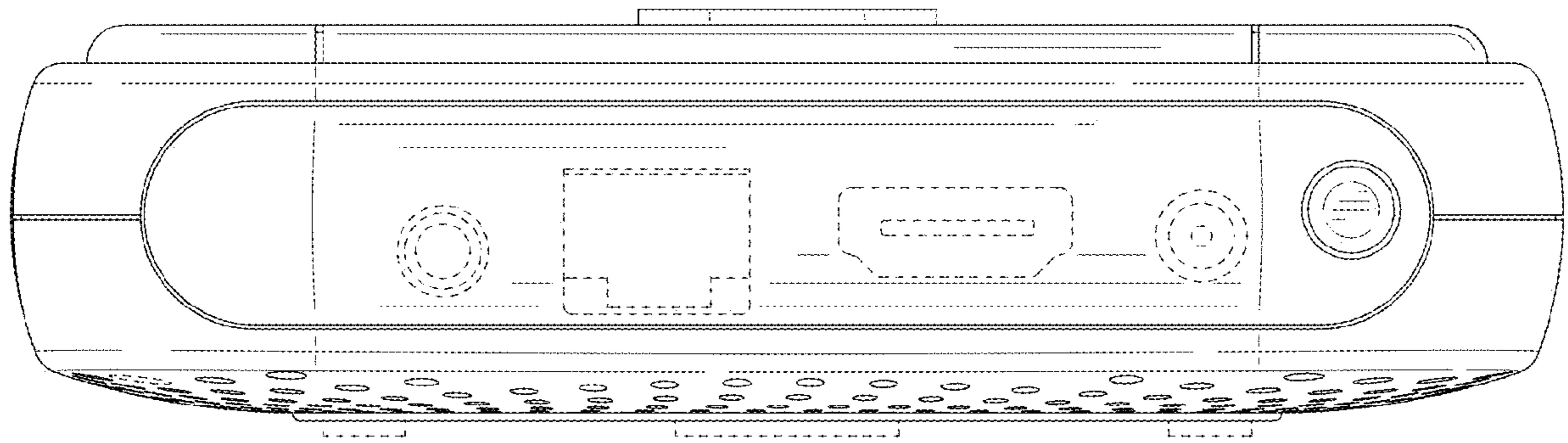


FIG. 3

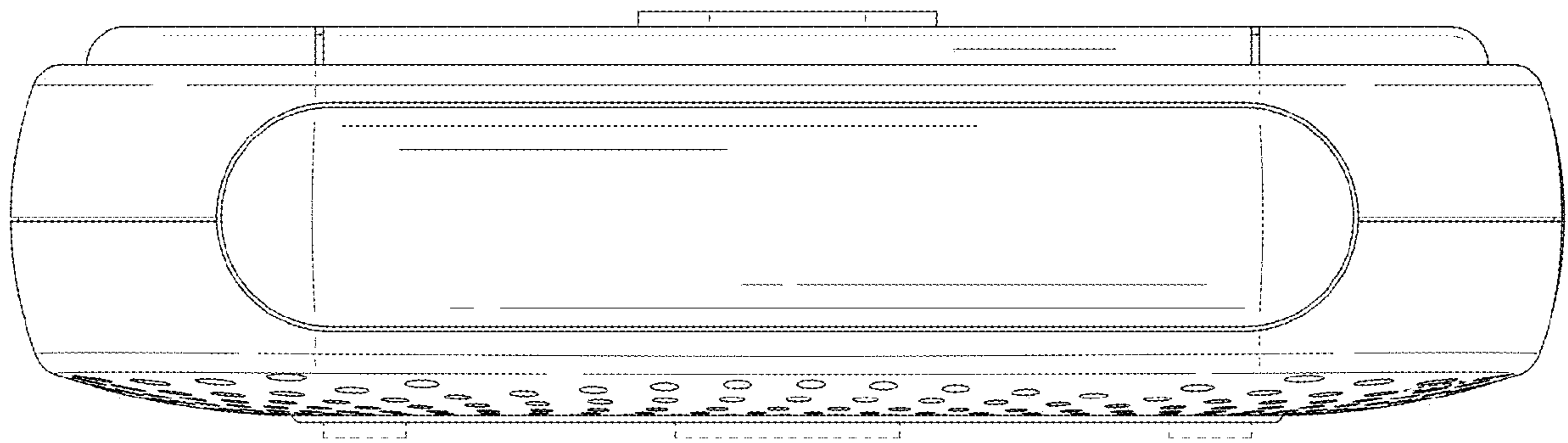


FIG. 4

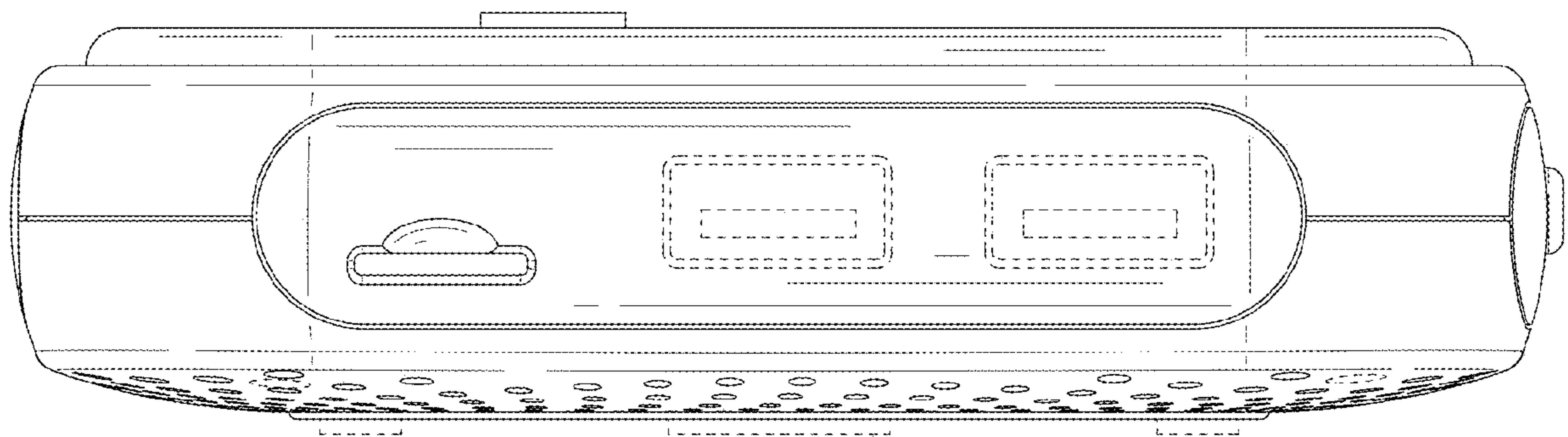


FIG. 5

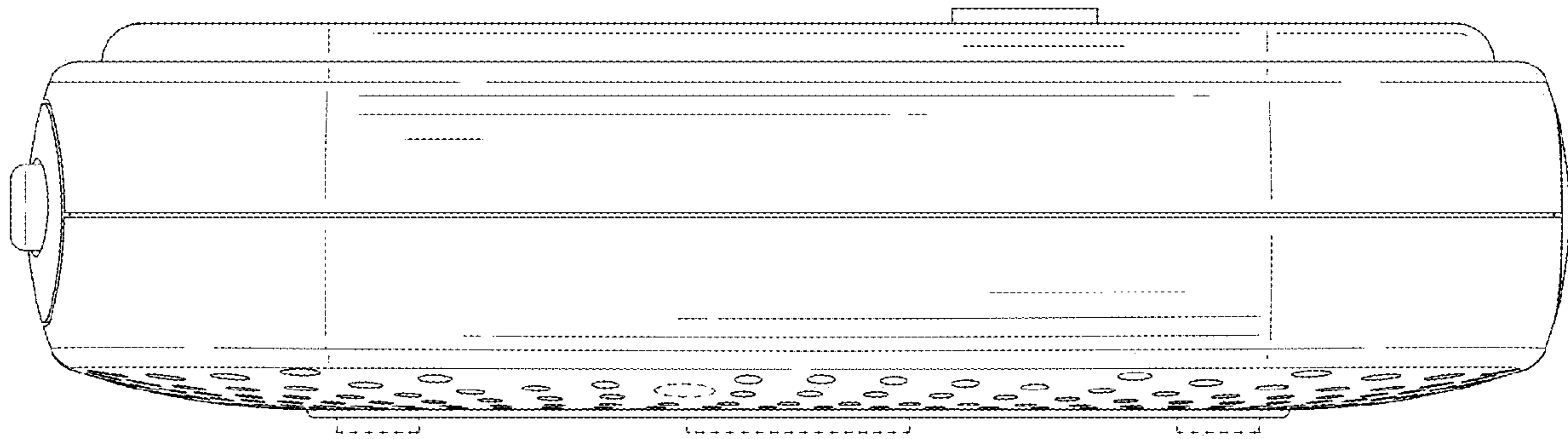


FIG. 6



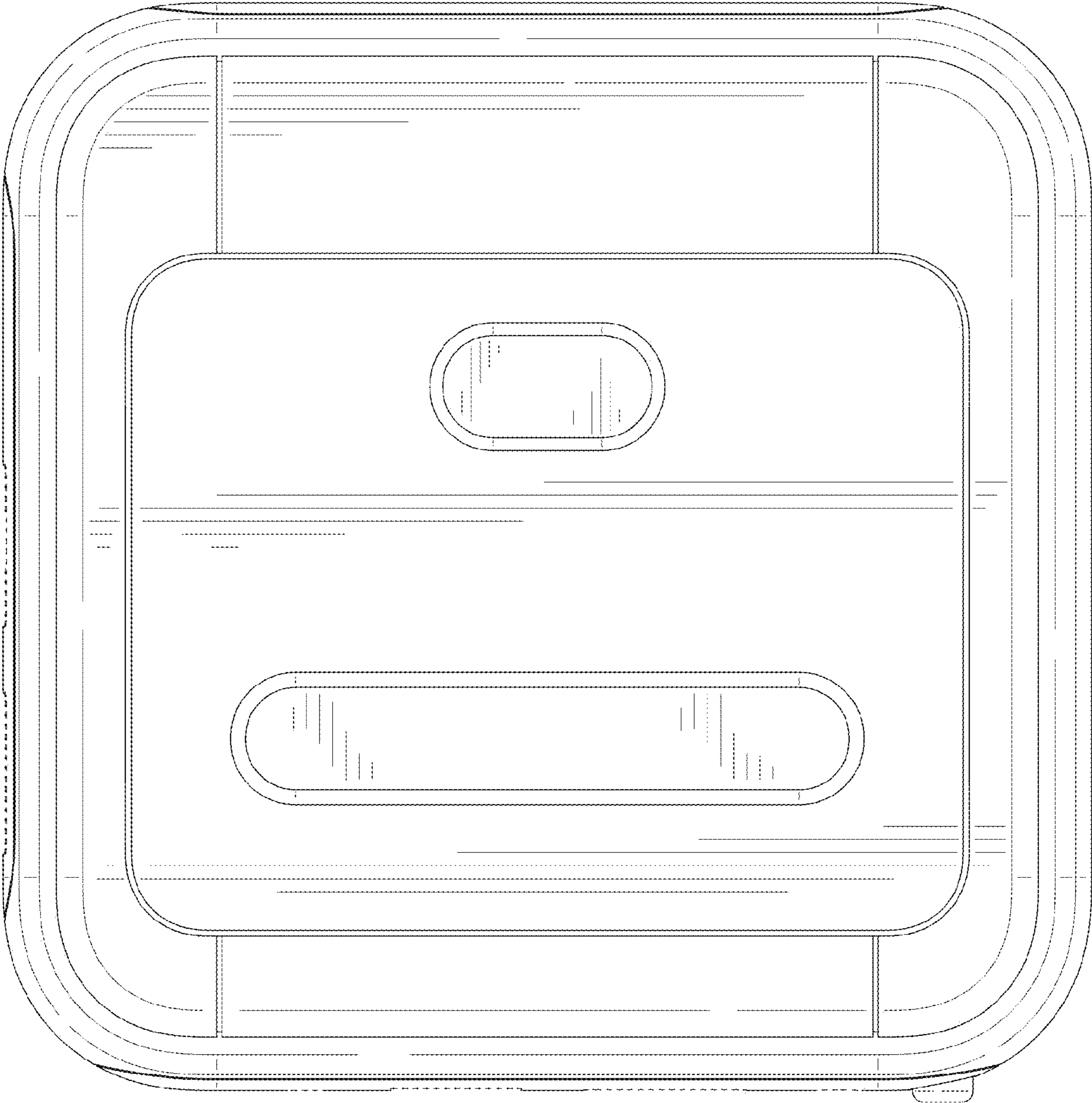


FIG. 7

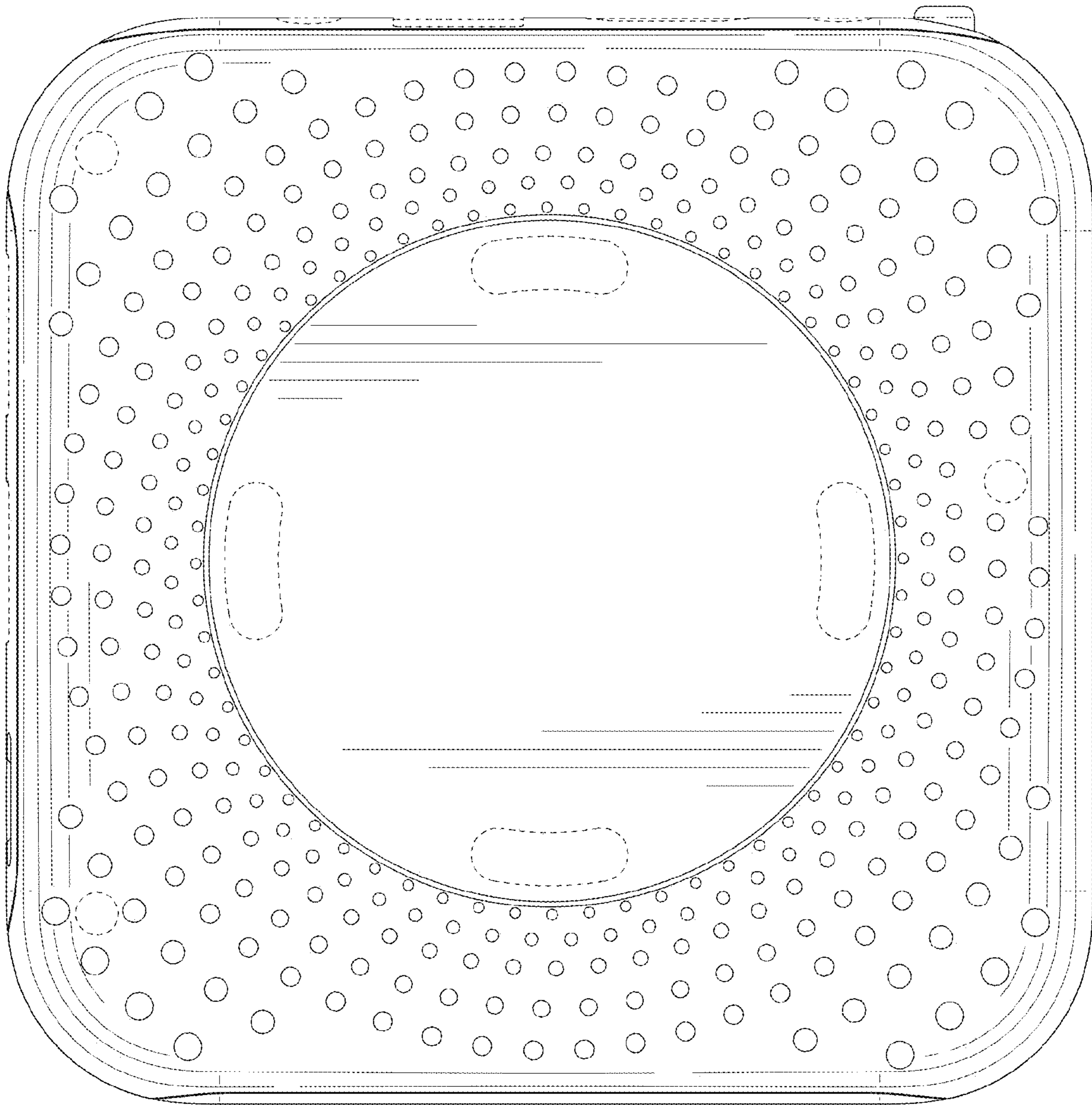


FIG. 8