



US00D951351S

(12) **United States Design Patent** (10) **Patent No.:** **US D951,351 S**
Gou (45) **Date of Patent:** **** May 10, 2022**

- (54) **WORK MAT FOR SOLDERING**
- (71) Applicant: **Guangzhou Yihua Electronic Equipment Co., Ltd., Guangdong (CN)**
- (72) Inventor: **Mingkang Gou, Guangdong (CN)**
- (73) Assignee: **Guangzhou Yihua Electronic Equipment Co., Ltd., Guangdong (CN)**

(**) Term: **15 Years**

(21) Appl. No.: **29/706,485**

(22) Filed: **Sep. 20, 2019**

(51) **LOC (13) Cl.** **19-02**

(52) **U.S. Cl.**
USPC **D19/95; D19/37**

(58) **Field of Classification Search**
USPC D6/331, 582-588, 592, 596; D12/203; D24/212; D32/57; D5/59; D19/37, 95; D14/458
CPC A47G 27/0206; A47G 27/0212; A47G 27/0218; A47G 27/0225; A47G 27/0237; A47G 9/062; A47K 3/002; A47K 7/026; A47L 23/26; A47L 23/266; A63B 21/4037; A63B 6/00; A63B 23/0464
See application file for complete search history.

(56) **References Cited**

U.S. PATENT DOCUMENTS

- D333,842 S * 3/1993 Kirchner B43L 3/00 D19/83
- D497,953 S * 11/2004 Adams B32B 33/00 D19/78
- D560,945 S * 2/2008 Holmes D6/582
- D658,419 S * 5/2012 Anderson D6/588
- D927,201 S * 8/2021 Ando H05K 13/0053 D5/58
- 11,077,575 B1 * 8/2021 Carnegie B32B 33/00
- D930,392 S * 9/2021 Weinblut A63B 24/0087 D6/588

- 2005/0204471 A1 * 9/2005 Ruiz A47D 5/006 5/420
- 2014/0131231 A1 * 5/2014 Linder H05K 13/0053 206/232
- 2016/0296801 A1 * 10/2016 De La Garza A63B 24/0087
- 2017/0080744 A1 * 3/2017 Seidel B43L 3/00
- 2018/0160834 A1 * 6/2018 King A01K 1/0107
- 2019/0117040 A1 * 4/2019 Knight B32B 7/12
- 2021/0291009 A1 * 9/2021 Paganini A63B 24/0003

OTHER PUBLICATIONS

Magnetic Large Silicone Repair Mat. by HPFIX. sold on amazon.com. Jan. 11, 2017. Accessed on Feb. 26, 2022. <<https://www.amazon.com/dp/B01N10MA2O/>>. (Year: 2017).*

Large Soldering Mat. by Keith, sold on amazon.com. Aug. 7, 2020. Accessed on Feb. 26, 2022. <<https://www.amazon.com/dp/B08FDRYRJJ/>>. (Year: 2020).*

Large Anti Static Silicone Repair Mat by CPB IENBOS. sold on amazon.com. Jul. 21, 2019. Accessed on Feb. 26, 2022. <<https://www.amazon.com/dp/B082HL5YD3/>>. (Year: 2019).*

* cited by examiner

Primary Examiner — Kevin K Rudzinski
Assistant Examiner — Clare Ann Gannon
 (74) *Attorney, Agent, or Firm* — Lucas & Mercanti, LLP

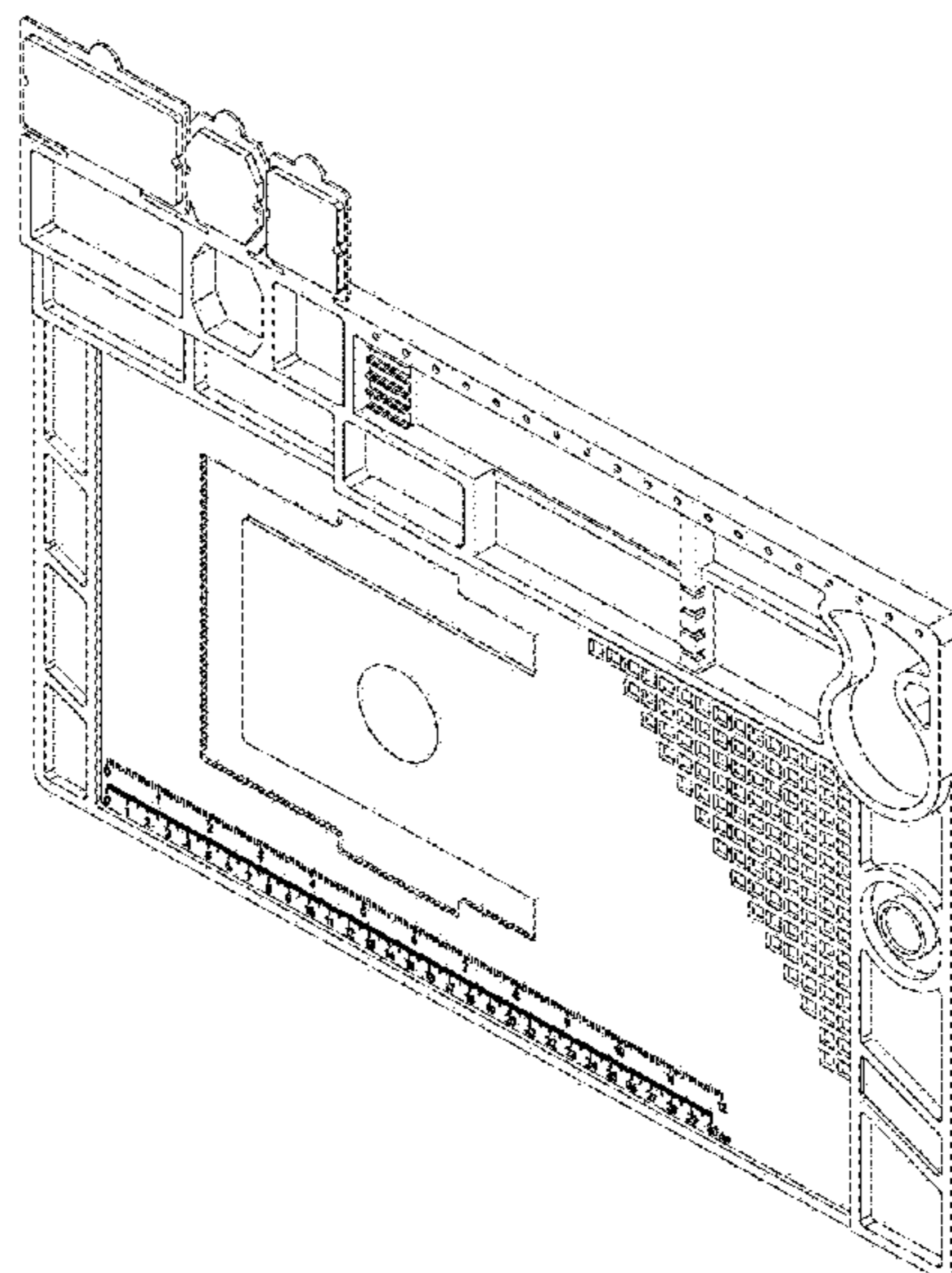
(57) **CLAIM**

The ornamental design for a work mat for soldering, as shown and described.

DESCRIPTION

FIG. 1 is a perspective view of the work mat for soldering; FIG. 2 is a front view thereof; FIG. 3 is a rear view thereof; FIG. 4 is a left side view thereof; FIG. 5 is a right side view thereof; FIG. 6 is a top view thereof; and, FIG. 7 is a bottom view thereof.

1 Claim, 5 Drawing Sheets



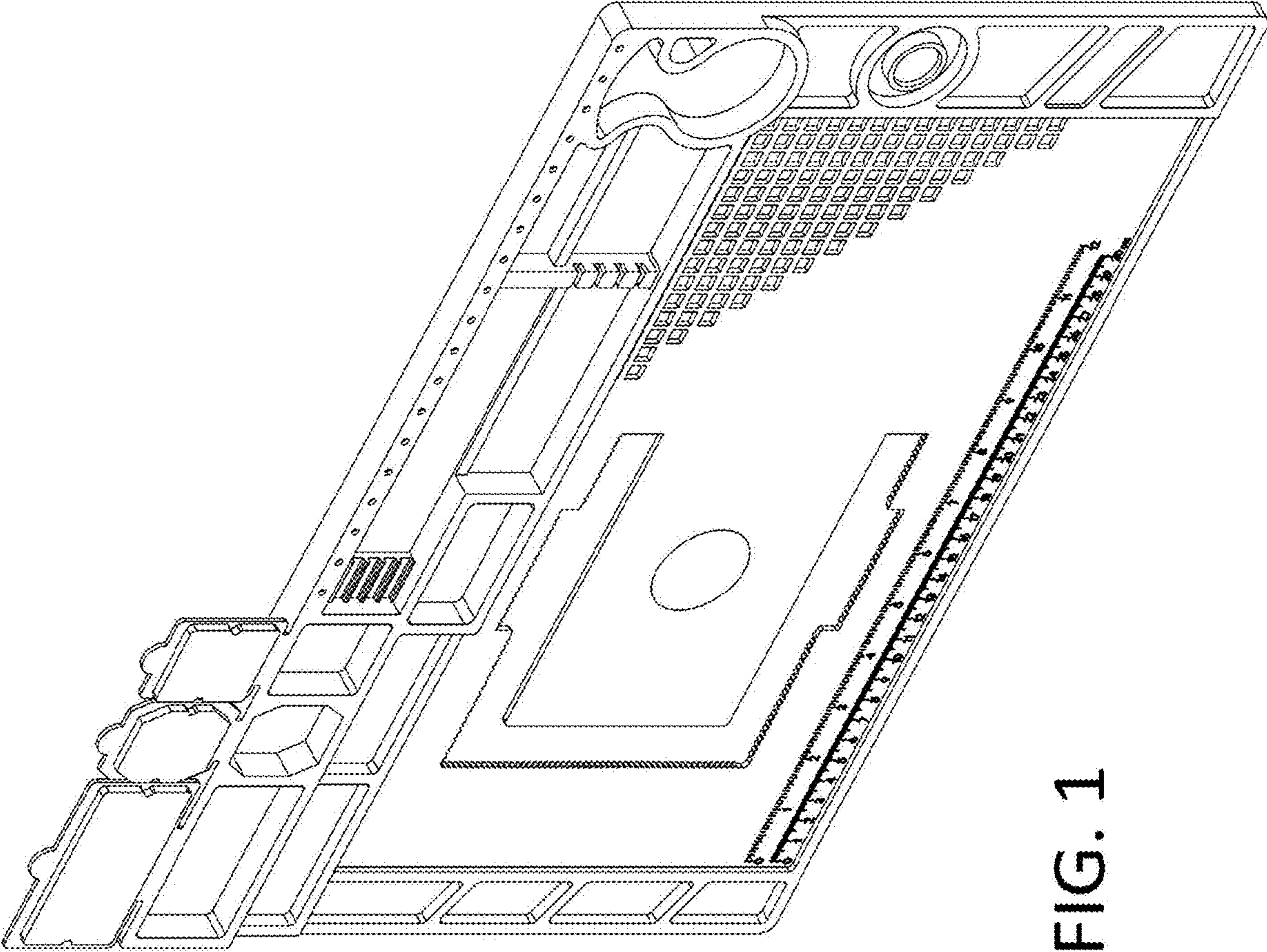


FIG. 1

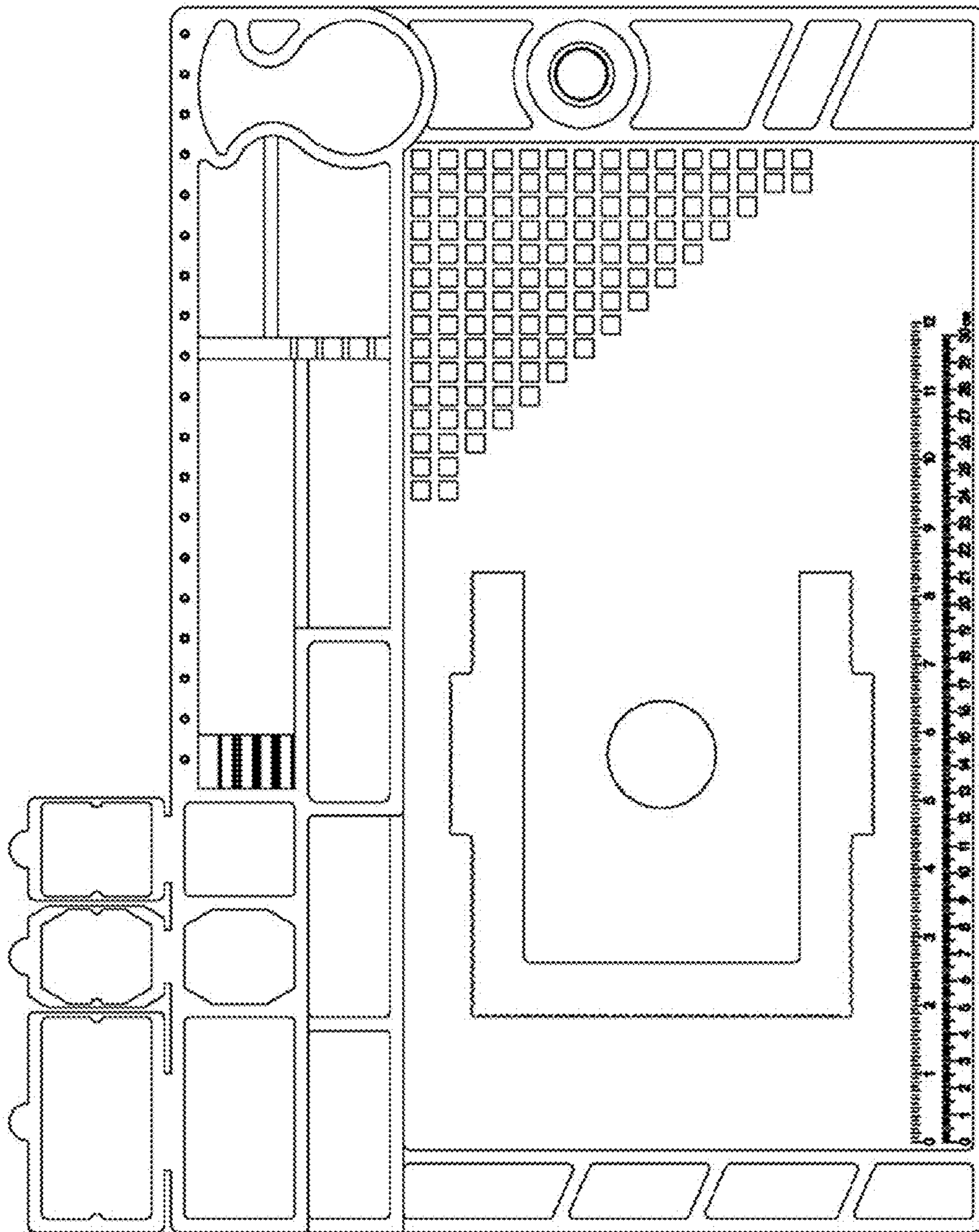


FIG. 2

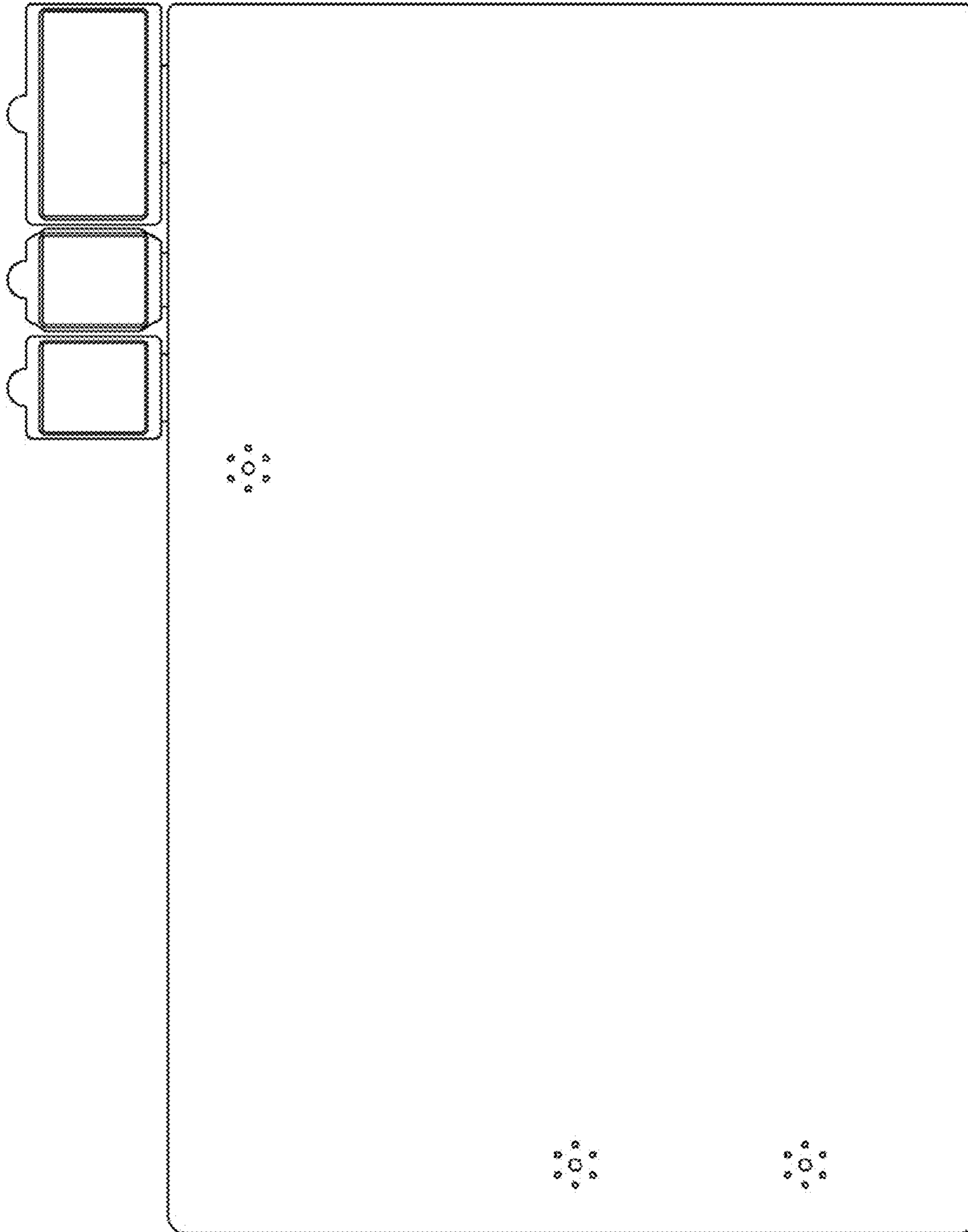


FIG. 3

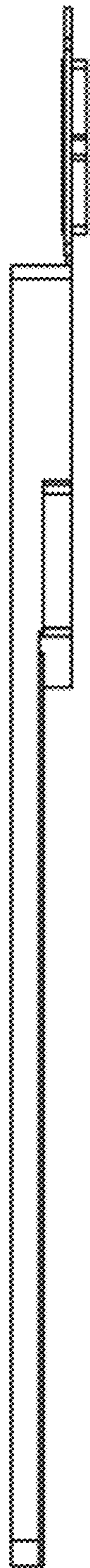


FIG. 4

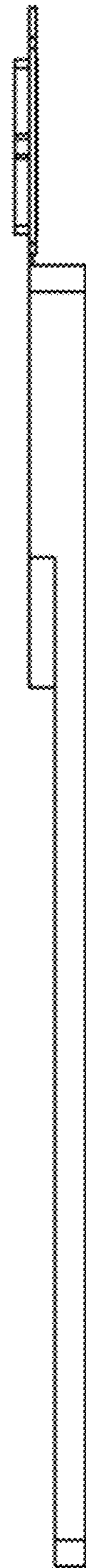


FIG. 5

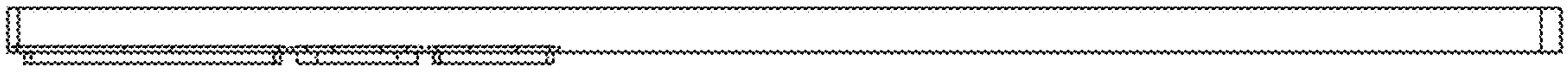


FIG. 6

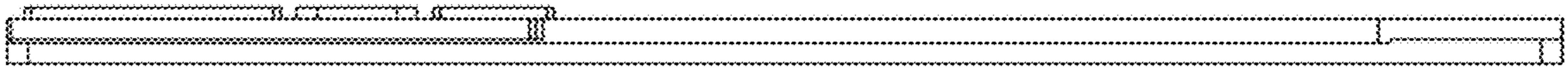


FIG. 7