



US00D951350S

(12) **United States Design Patent** (10) **Patent No.:** **US D951,350 S**
White et al. (45) **Date of Patent:** **** May 10, 2022**

(54) **DISPENSER FOR TAPE OR OTHER ROLL GOODS**
(71) Applicant: **3M INNOVATIVE PROPERTIES COMPANY**, St. Paul, MN (US)
(72) Inventors: **Aaron P. White**, Menomonie, WI (US); **Jacob T. Lusson**, Richfield, MN (US)
(73) Assignee: **3M INNOVATIVE PROPERTIES COMPANY**, St. Paul, MN (US)
(**) Term: **15 Years**
(21) Appl. No.: **29/756,700**
(22) Filed: **Oct. 30, 2020**
(51) **LOC (13) Cl.** **19-99**
(52) **U.S. Cl.**
USPC **D19/69**
(58) **Field of Classification Search**
USPC D6/700, 866.21, 406.5, 405.6, 694, 685, D6/641, 553; D19/66, 67, 68, 69; D11/164; D8/367, 382; D18/50, 53, 54, D18/55, 56, 57, 58, 59, 34.7, 34.3, 34.1, D18/4.1
CPC G06F 3/02; H04N 1/00278; B32B 27/08; G11B 23/40
See application file for complete search history.

D541,866 S * 5/2007 Kent D19/69
D568,399 S * 5/2008 Yu Chen D19/69
D597,137 S * 7/2009 Chiu D19/69
D617,380 S * 6/2010 Chiu D19/69
D671,989 S * 12/2012 Refior D19/69
(Continued)

FOREIGN PATENT DOCUMENTS

CN 303933992 * 11/2016

OTHER PUBLICATIONS

JAM PAPER Colorful Desk Tape Dispensers, Amazon.com, date published Nov. 4, 2015, date retrieved from internet Mar. 4, 2022—U.S. Appl. No. 29/756,700—https://www.amazon.com/JAM-PAPER-Colorful-Desk-Dispensers/dp/B017KUHERY/ref=zg_bs_1069328_25/146-4723493-6683023?pd_rd_i=B09JB6CVXW&th=1 (Year: 2015).*

Primary Examiner — Jennifer L Rempfer
Assistant Examiner — Danielle Nichole Bowly
(74) *Attorney, Agent, or Firm* — 3M IPC

(57) **CLAIM**

The ornamental design for a dispenser for tape or other roll goods, as shown and described.

DESCRIPTION

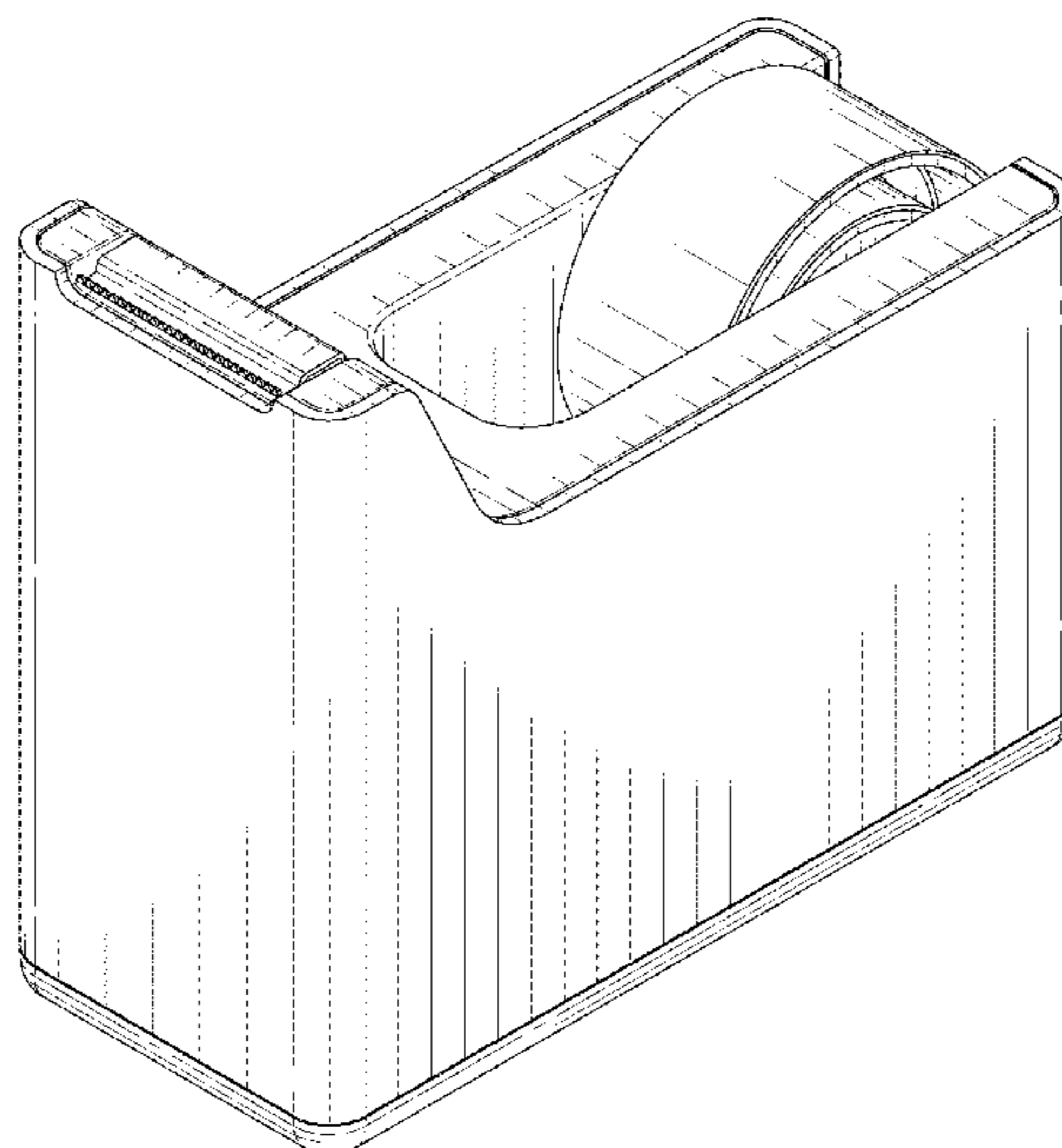
FIG. 1 is a right perspective view of a dispenser for tape or other roll goods;
FIG. 2 is a bottom view thereof;
FIG. 3 is a top view thereof;
FIG. 4 is a side view thereof, the left-side view being identical to the right-side view;
FIG. 5 is another top view thereof;
FIG. 6 is another bottom view thereof; and,
FIG. 7 is a right perspective view of the dispenser for tape or other roll goods in use.
The broken lines represent environmental subject matter showing claim in use and form no part of the claim.

1 Claim, 5 Drawing Sheets

(56) **References Cited**

U.S. PATENT DOCUMENTS

D226,333 S * 2/1973 Reinecke et al. D19/69
D226,334 S * 2/1973 Reinecke et al. D19/69
D248,561 S * 7/1978 Deering, Jr. D19/69
D254,556 S * 3/1980 Johnson D19/69
D289,180 S * 4/1987 Crawford D19/69
D299,658 S * 1/1989 Vasilakes D19/69
D359,511 S * 6/1995 Nash D19/67
D399,257 S * 10/1998 Tang D19/67
D404,430 S * 1/1999 Shen D19/67
D416,045 S * 11/1999 Shen D19/67
D434,801 S * 12/2000 Van Den Berg D19/67



(56)

References Cited

U.S. PATENT DOCUMENTS

D671,992 S * 12/2012 Aquino D19/69
D701,901 S * 4/2014 Bonacina D19/69
D713,876 S * 9/2014 Bonacina D19/69

* cited by examiner

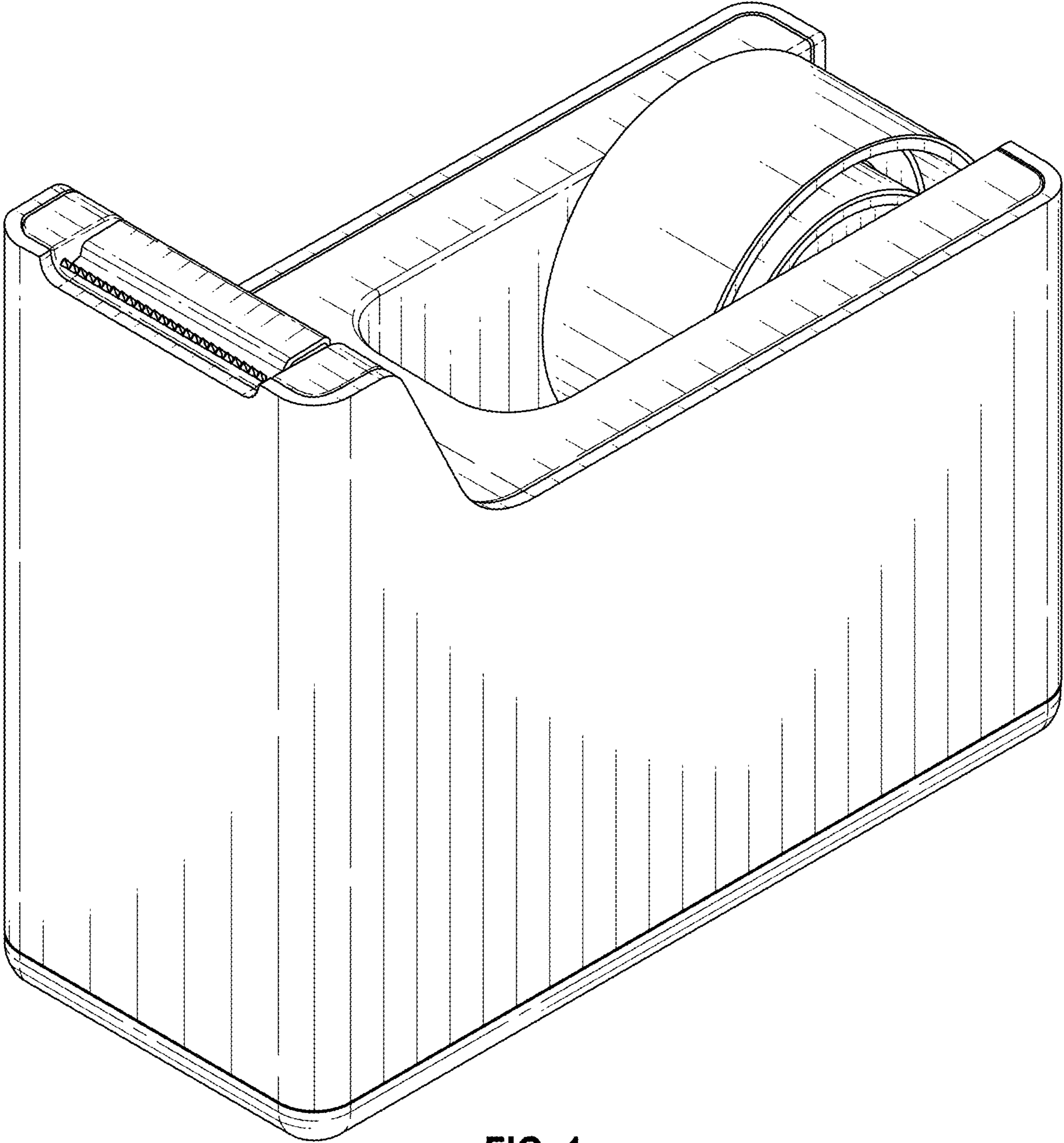


FIG. 1

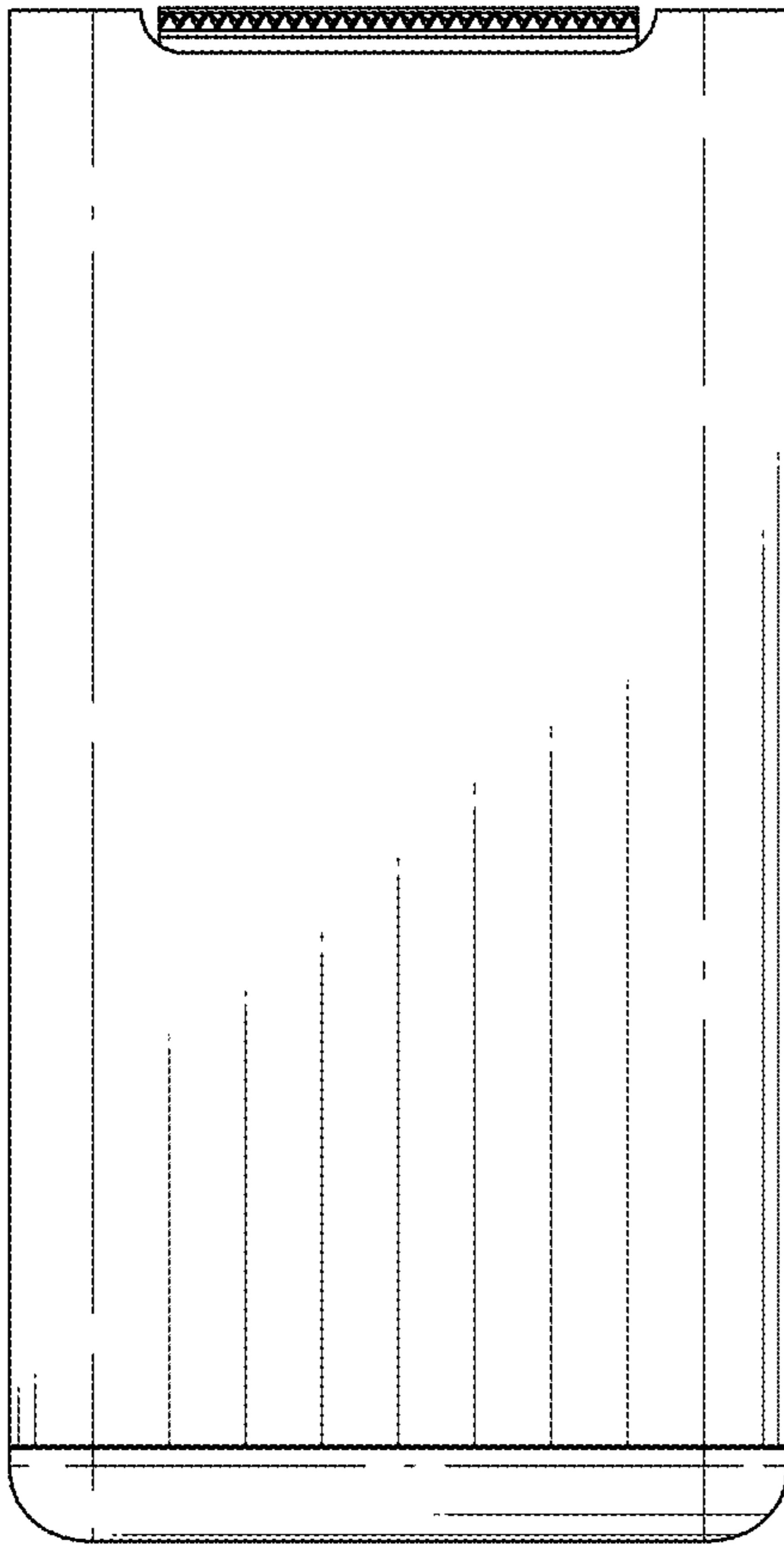


FIG. 2

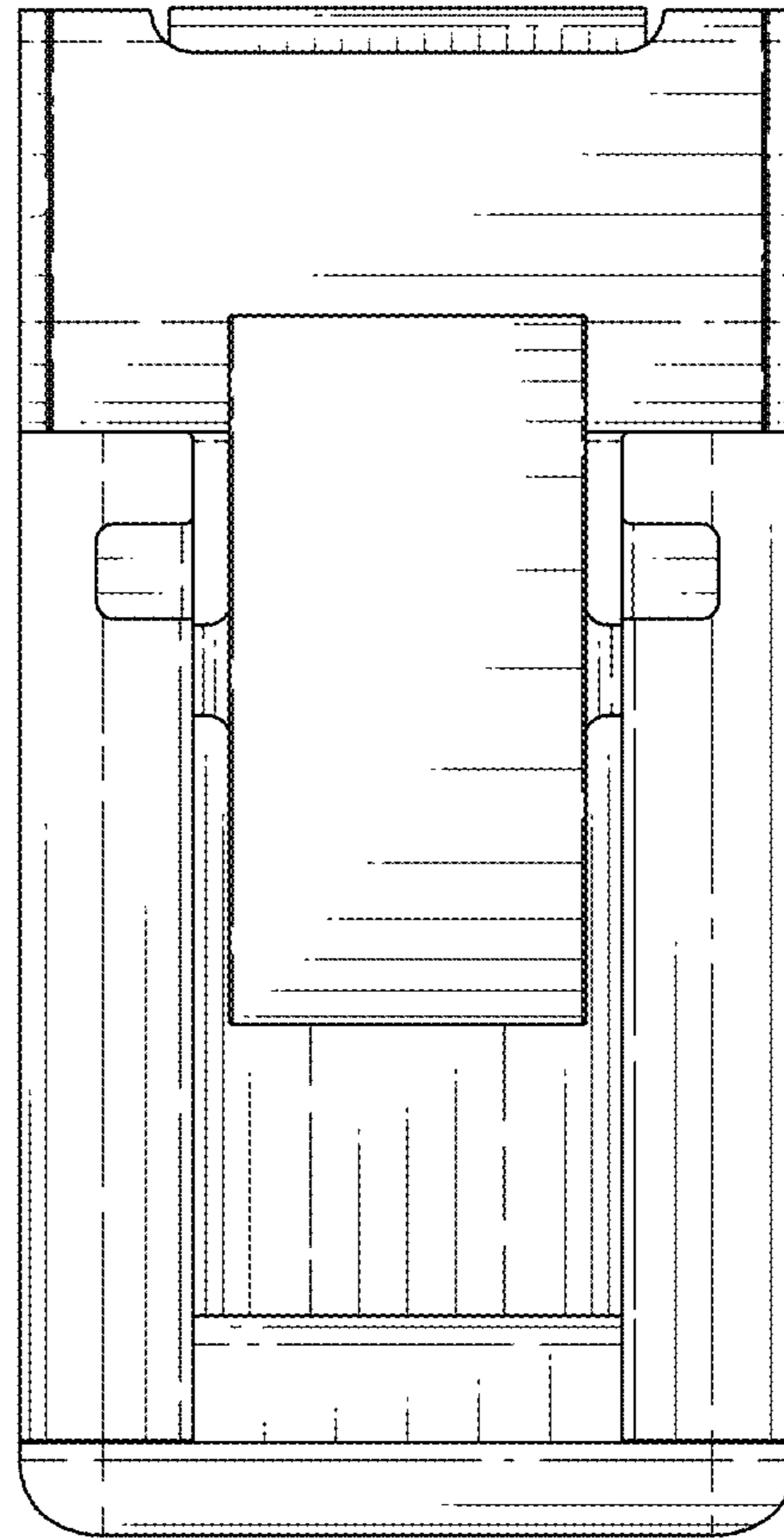


FIG. 3

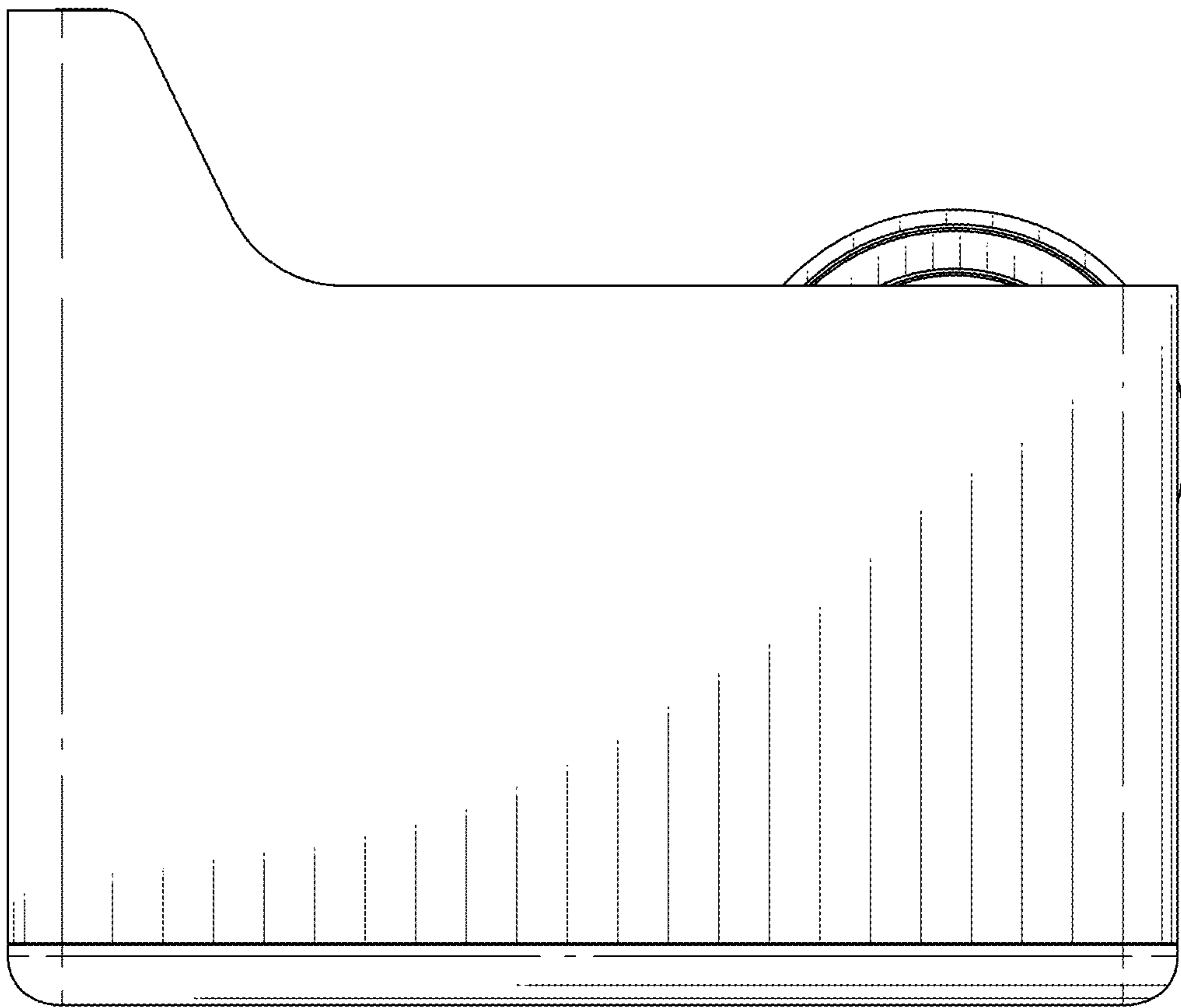


FIG. 4

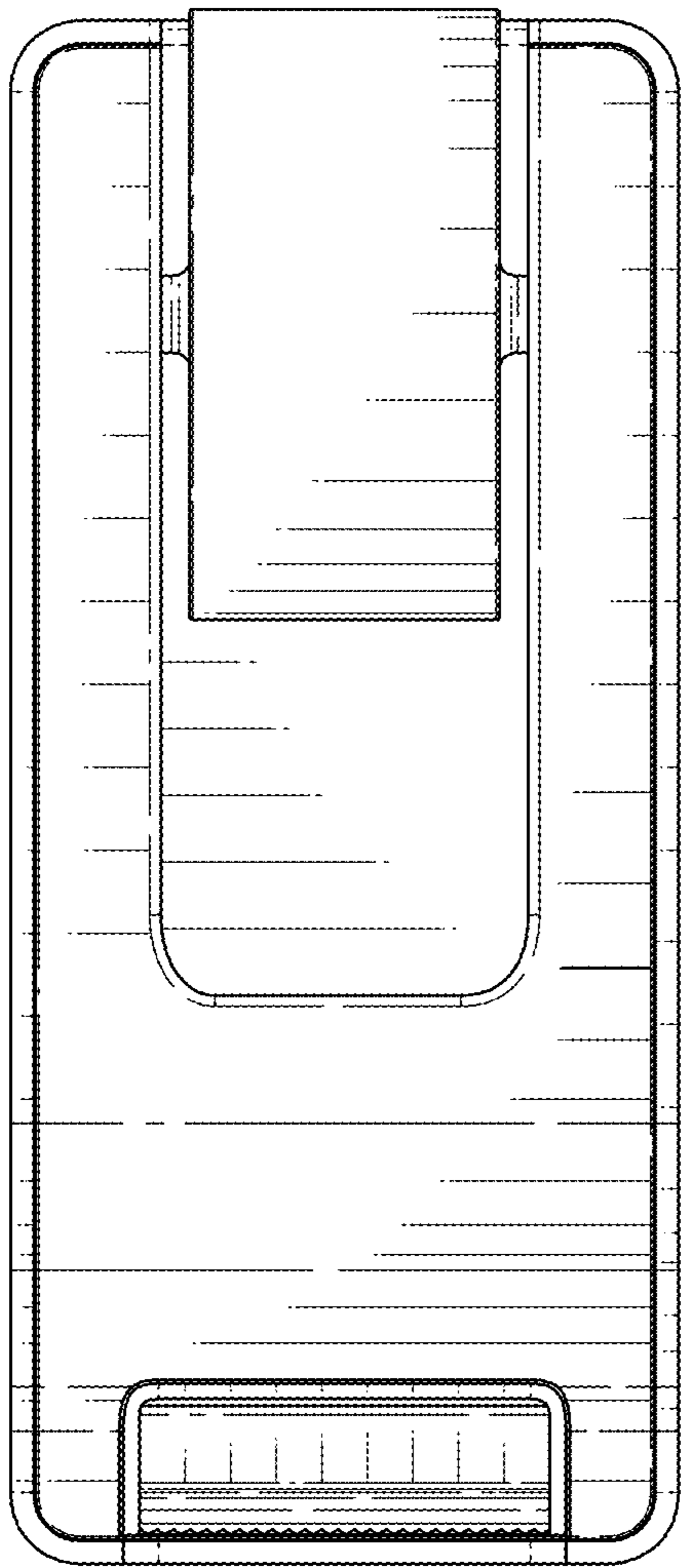


FIG. 5

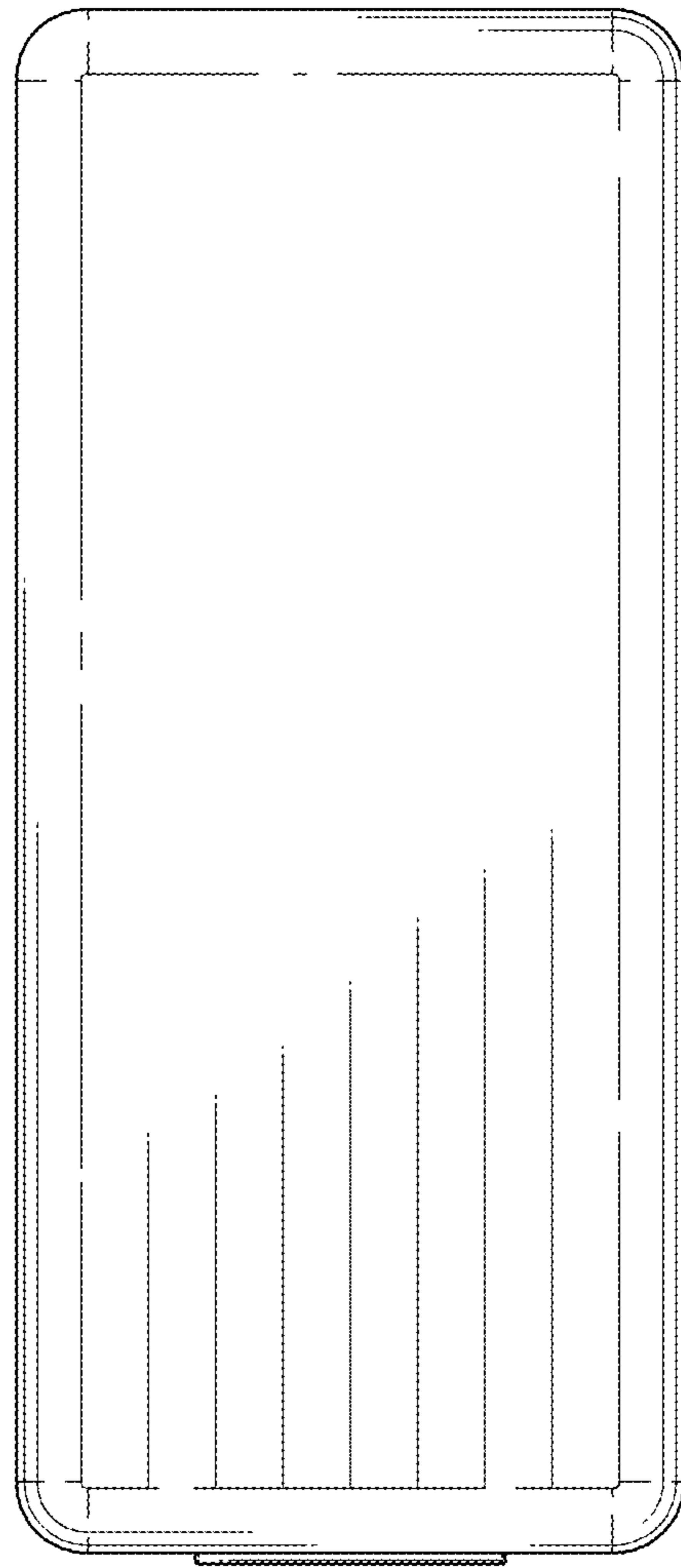


FIG. 6

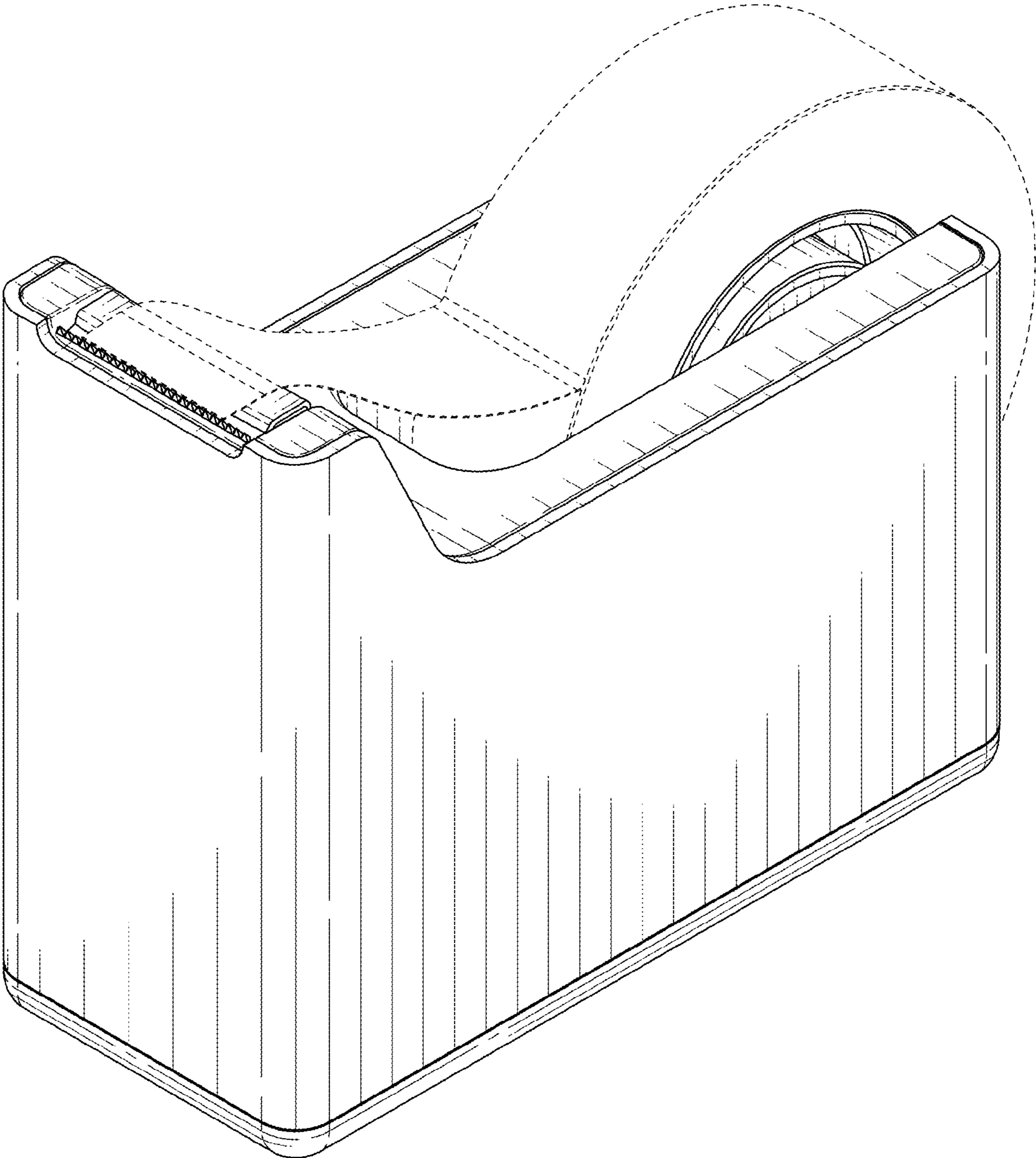


FIG. 7