



US00D951348S

(12) **United States Design Patent** (10) **Patent No.:** **US D951,348 S**
Peng (45) **Date of Patent:** **** May 10, 2022**

- (54) **PAPER GUIDE**
- (71) Applicant: **AVISION INC.**, Hsinchu (TW)
- (72) Inventor: **Chao-Yu Peng**, Hsinchu (TW)
- (73) Assignee: **AVISION INC.**, Hsinchu (TW)
- (**) Term: **15 Years**
- (21) Appl. No.: **29/729,844**
- (22) Filed: **Mar. 31, 2020**
- (51) **LOC (13) Cl.** **18-02**
- (52) **U.S. Cl.**
USPC **D18/56**
- (58) **Field of Classification Search**
USPC D15/138, 135, 122; D18/50, 52, 54, 55,
D18/56
CPC ... B65H 1/02; B41J 17/00; B41J 29/08; B41J
29/02; B41J 2/1752; B41J 2/175; B41J
15/044; B26D 1/045; B26D 1/065; B41M
5/035; B41M 5/03; B41M 5/0094; B41M
1/26; B41M 1/24; H04N 1/00278
See application file for complete search history.

- (56) **References Cited**
U.S. PATENT DOCUMENTS
D364,185 S * 11/1995 McCue D18/56
D378,378 S * 3/1997 Nakazawa D18/54
5,931,456 A * 8/1999 Laidlaw B65H 1/04
271/223
D429,759 S * 8/2000 Dwyer D18/55
6,196,539 B1 * 3/2001 Lee B65H 1/02
271/171
6,315,285 B1 * 11/2001 Brugger B65H 1/00
271/145
D581,976 S * 12/2008 Park D18/55
D639,851 S * 6/2011 Penke D18/55
D697,967 S * 1/2014 Fukasawa D18/55
D698,389 S * 1/2014 Fukasawa D18/55

- D738,277 S * 9/2015 Pulley, Jr. D15/138
 - D837,292 S * 1/2019 Li D18/50
 - D860,206 S * 9/2019 Peng D14/421
- (Continued)

FOREIGN PATENT DOCUMENTS

JP D1530360 * 8/2015

OTHER PUBLICATIONS

Mobile-Ready Laser Printer, p. 8, 2018, Amazon-29729844-https://www.amazon.com/Canon-LBP113w-imageCLASS-2207C004-Mobile-Ready/dp/B07H6C1B3L/ref=psdc_172648_t2_B00K5UZO0Q?th=1 (Year: 2018).*

Primary Examiner — Jennifer L Rempfer
Assistant Examiner — Danielle Nichole Bowly
(74) *Attorney, Agent, or Firm* — Winston Hsu

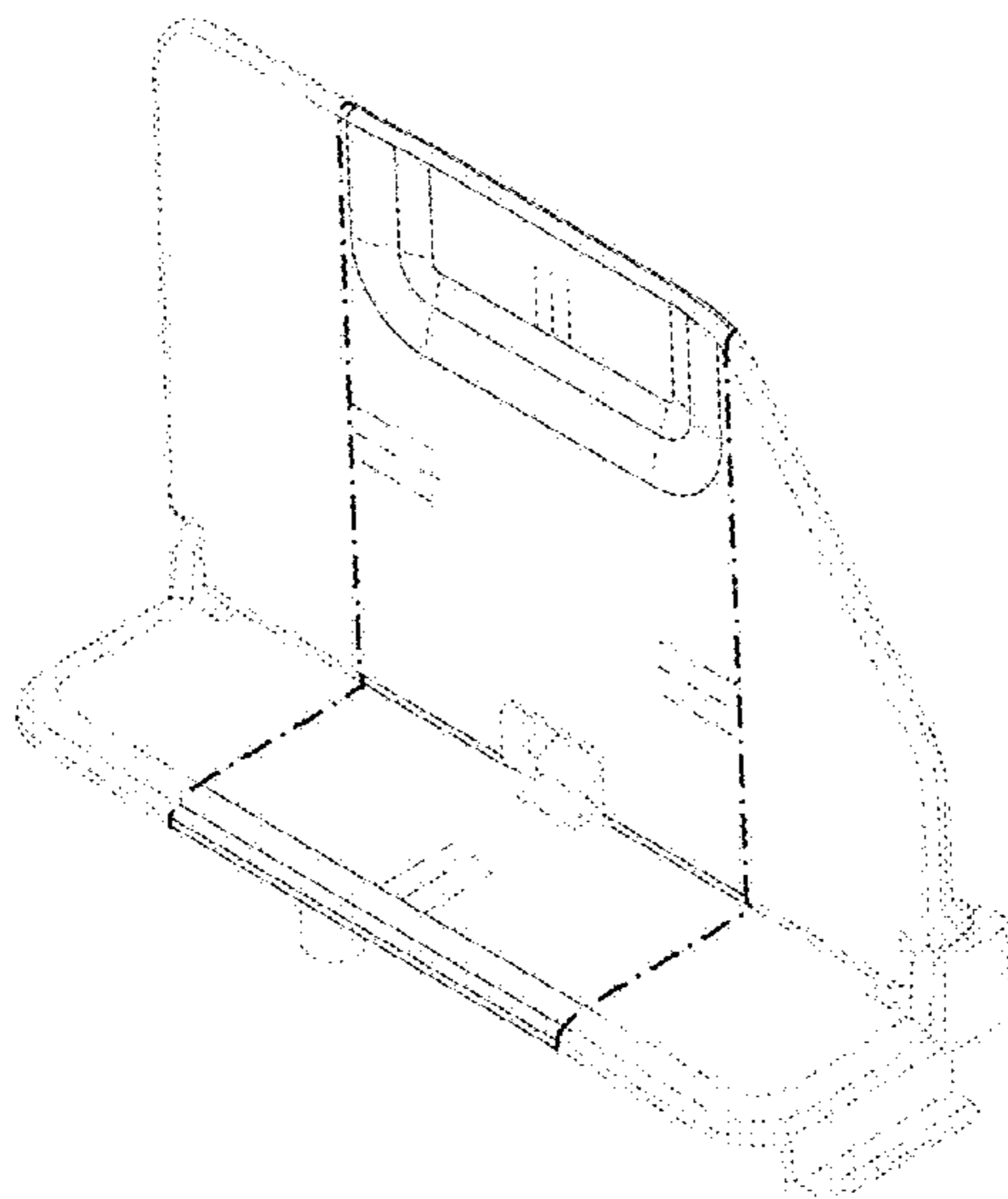
(57) **CLAIM**

The ornamental design for a paper guide, as shown and described.

DESCRIPTION

FIG. 1 is a top, front, and left side perspective view of a paper guide showing my new design;
FIG. 2 is a bottom, rear, and right side perspective view thereof;
FIG. 3 is a top, rear, and right side perspective view thereof;
FIG. 4 is a front elevation view thereof;
FIG. 5 is a rear elevation view thereof;
FIG. 6 is a left side elevation view thereof;
FIG. 7 is a right side elevation view thereof;
FIG. 8 is a top plan view thereof;
FIG. 9 is a bottom plan view thereof; and,
FIG. 10 is a perspective view thereof in an environment of use.
The broken lines depict portions of the paper guide and the environment that form no part of the claimed design.
The dashed-dot broken lines define the bounds of the claimed design and form no part thereof.

1 Claim, 10 Drawing Sheets



(56)

References Cited

U.S. PATENT DOCUMENTS

2006/0197275 A1* 9/2006 Otsuka B65H 3/0661
271/171
2007/0001382 A1* 1/2007 Matsumoto B65H 1/02
271/162

* cited by examiner

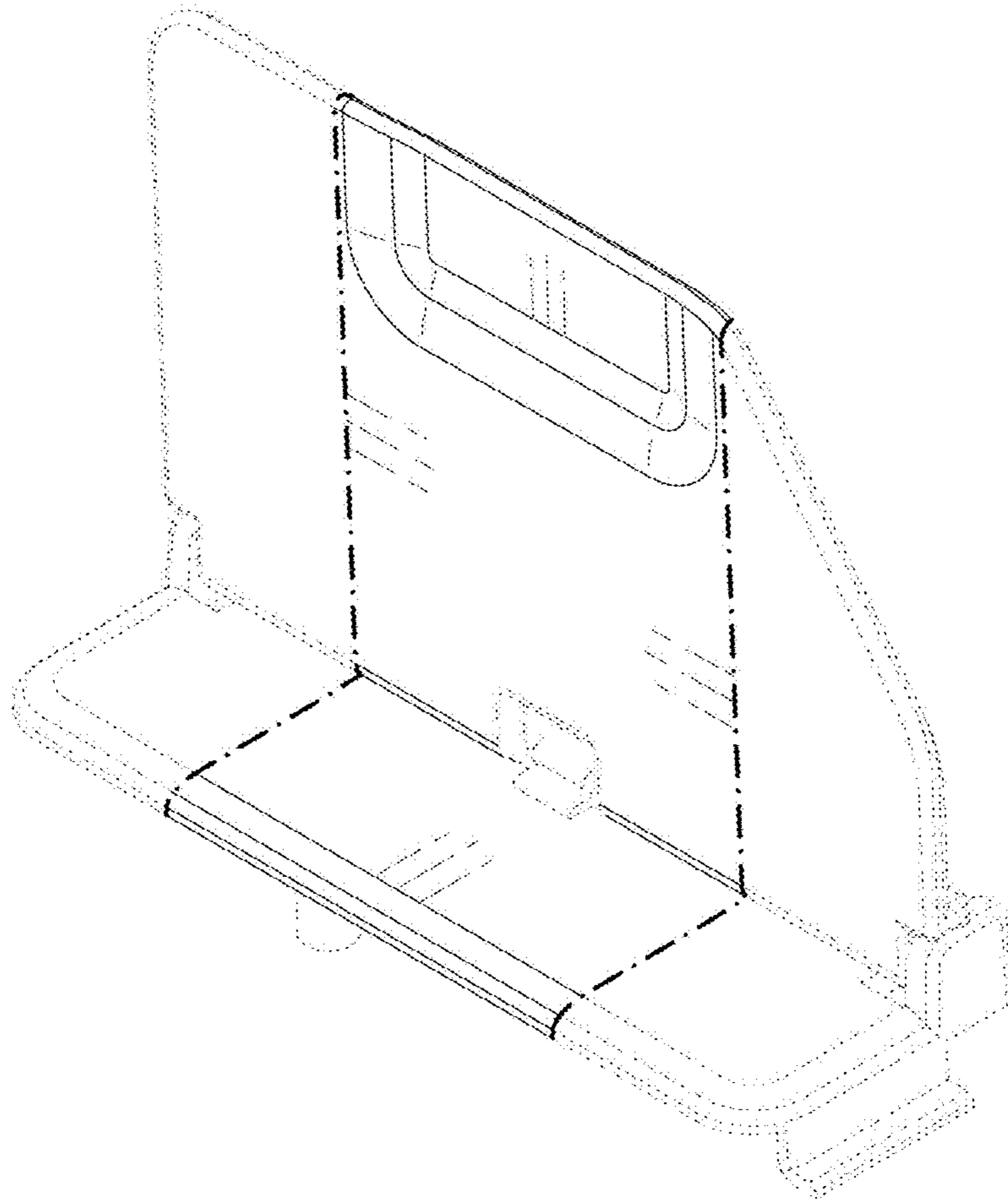


FIG. 1

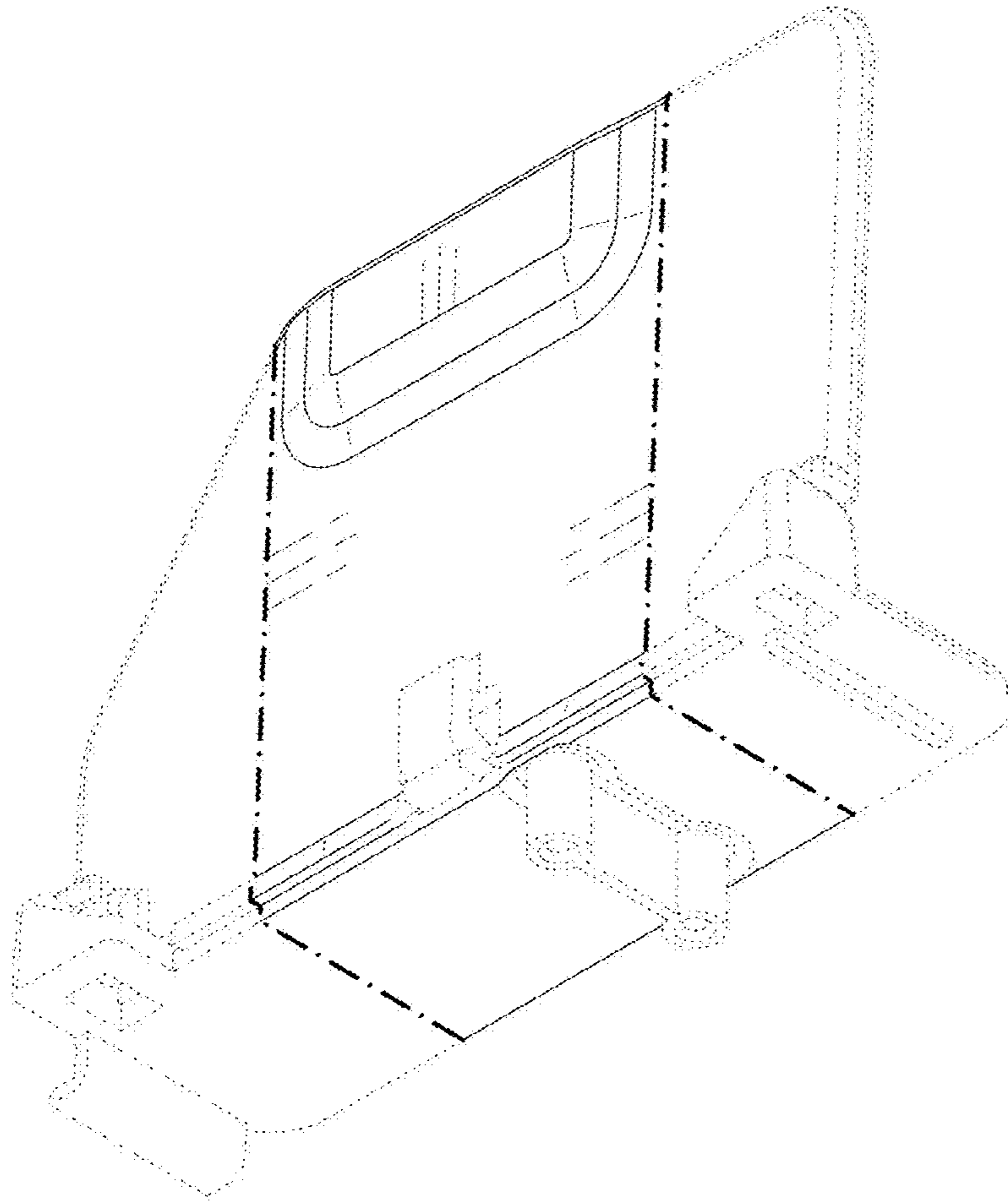


FIG. 2

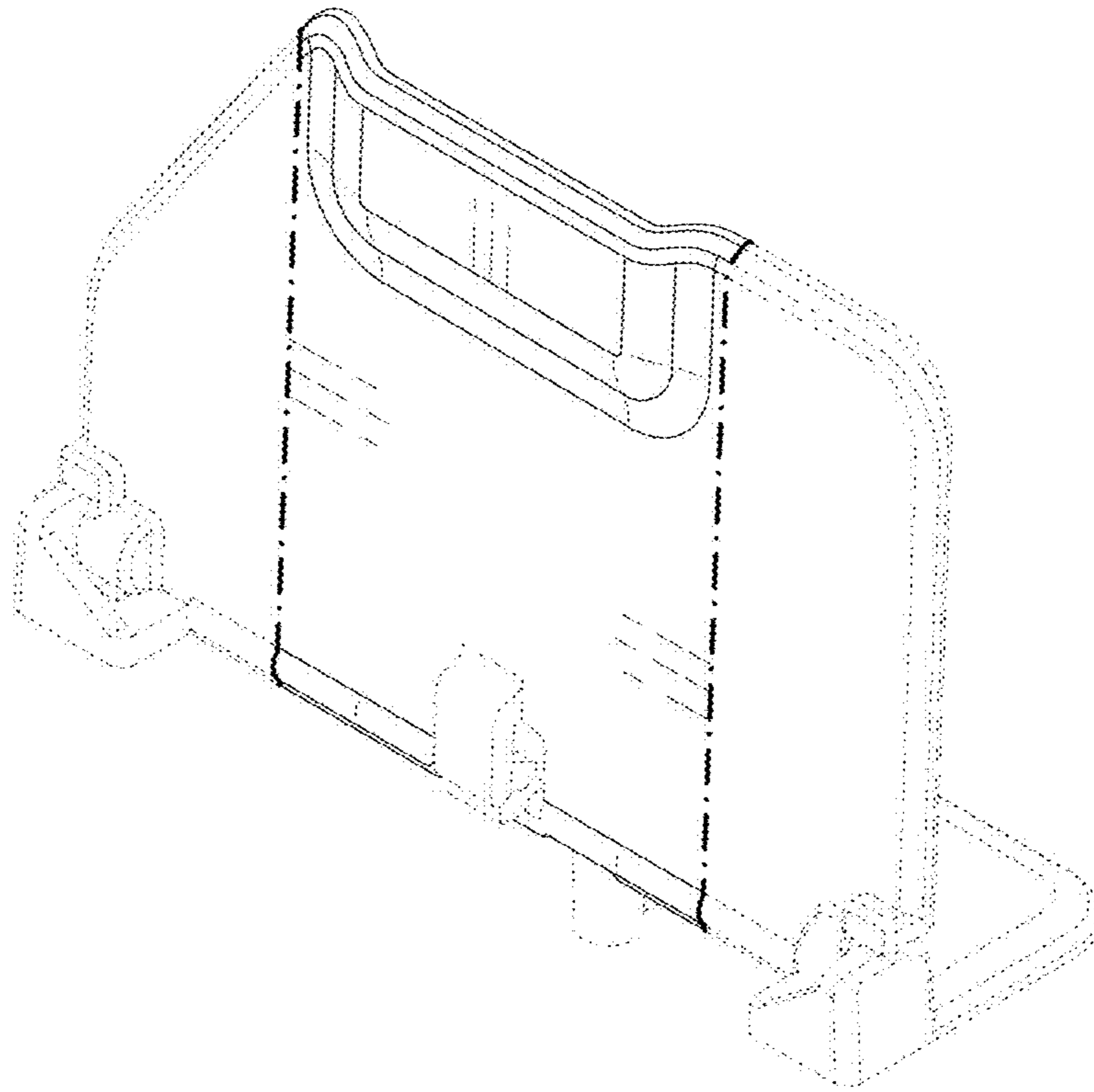


FIG. 3

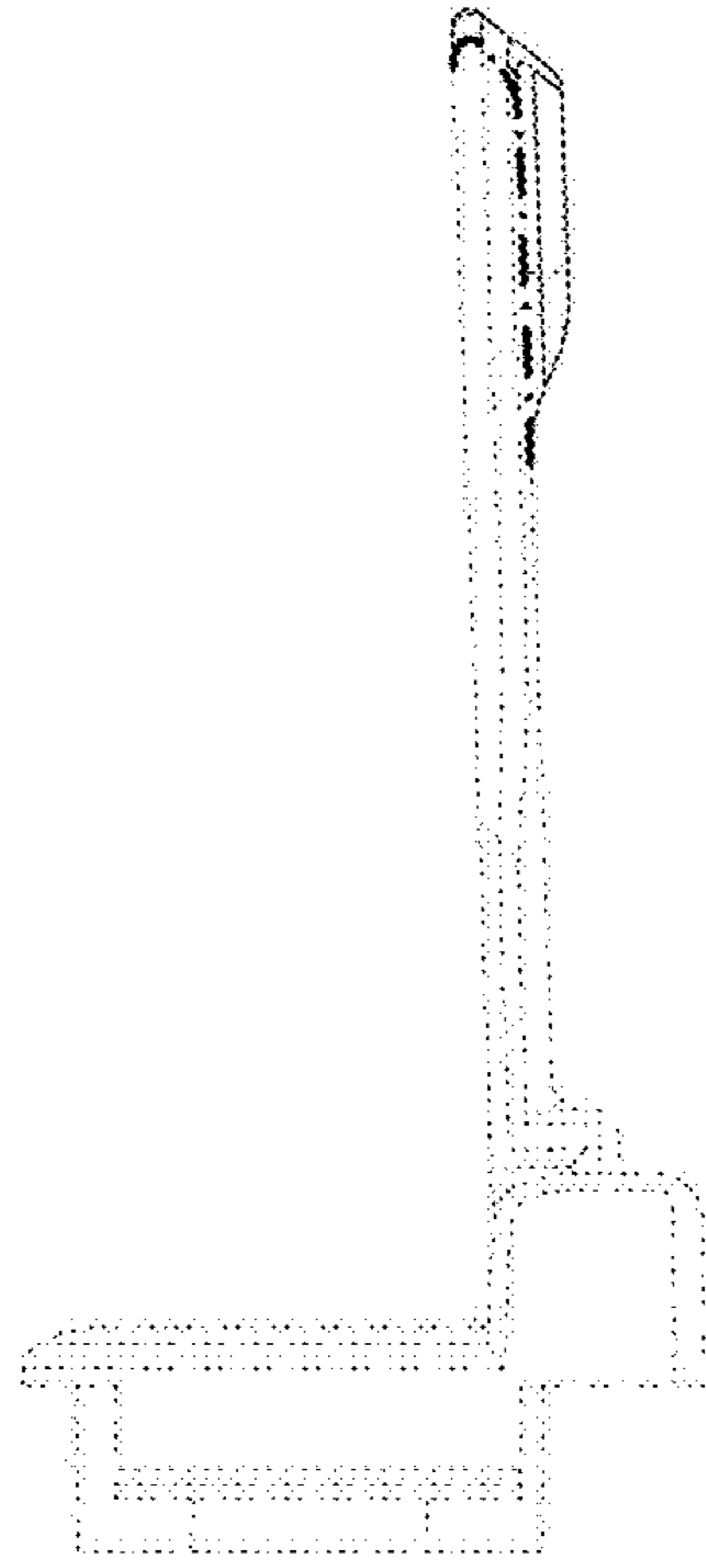


FIG. 4

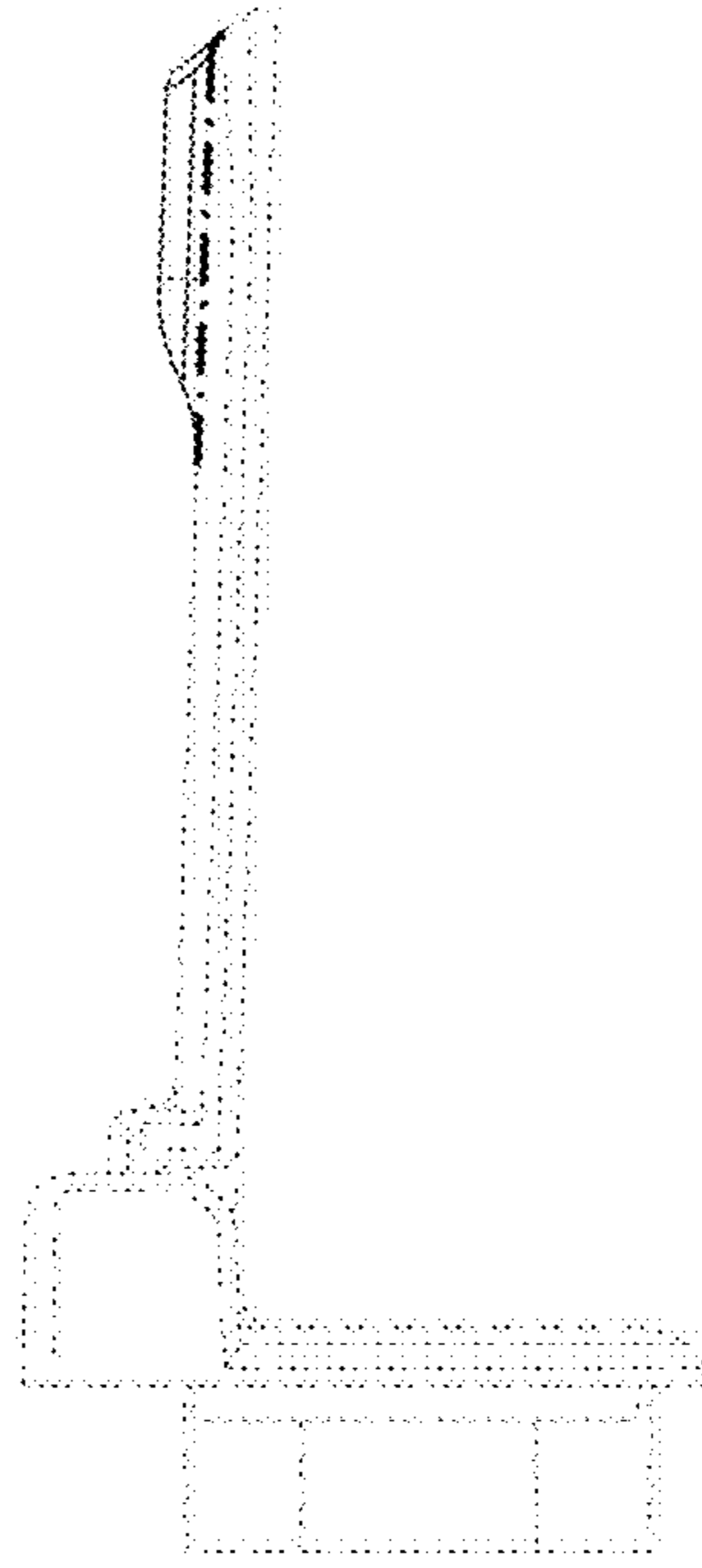


FIG. 5

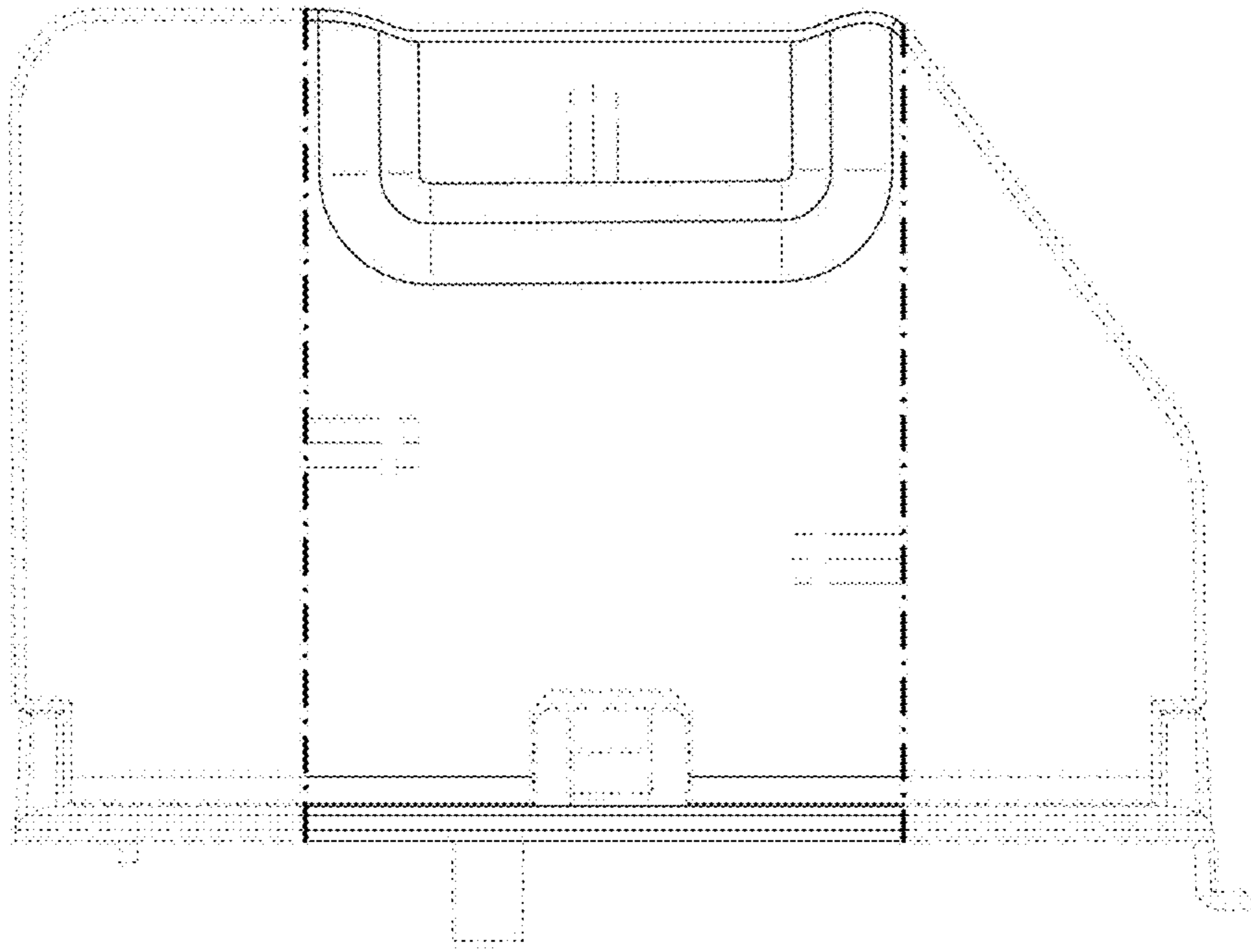


FIG. 6

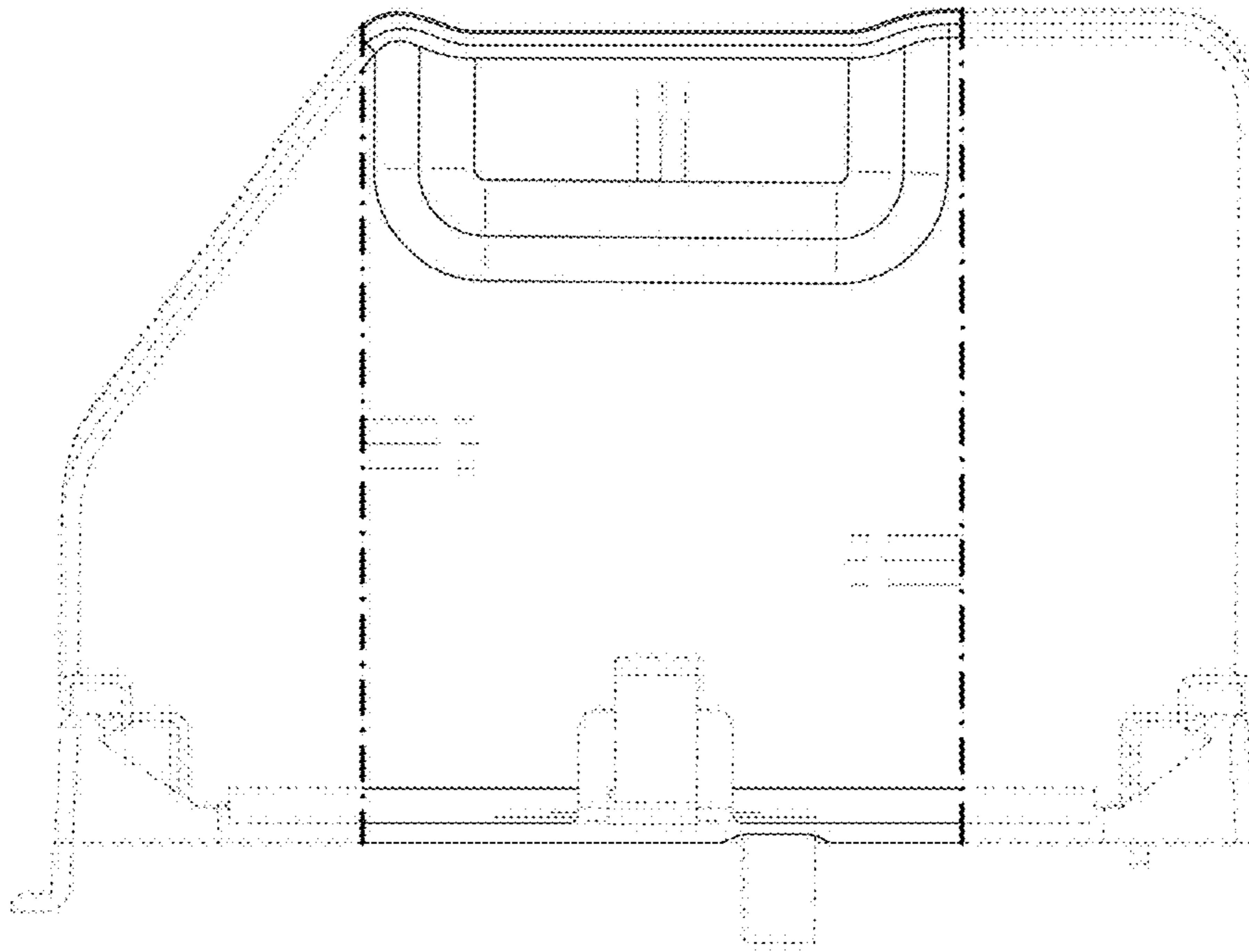


FIG. 7

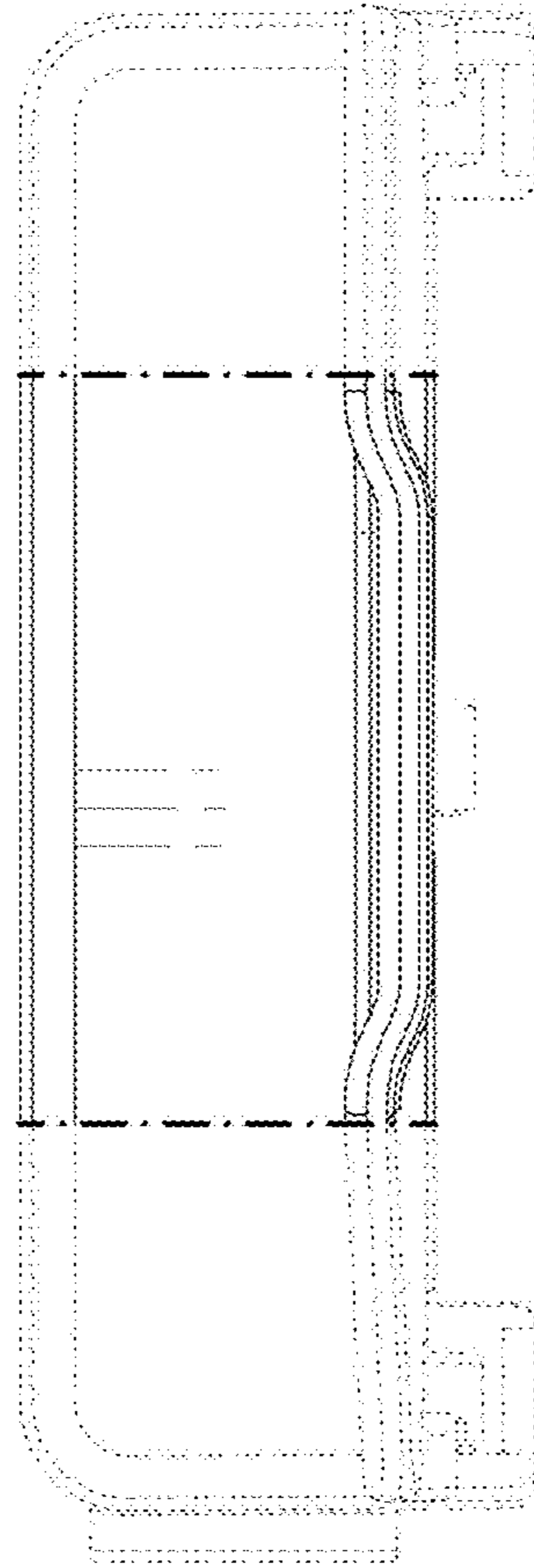


FIG. 8

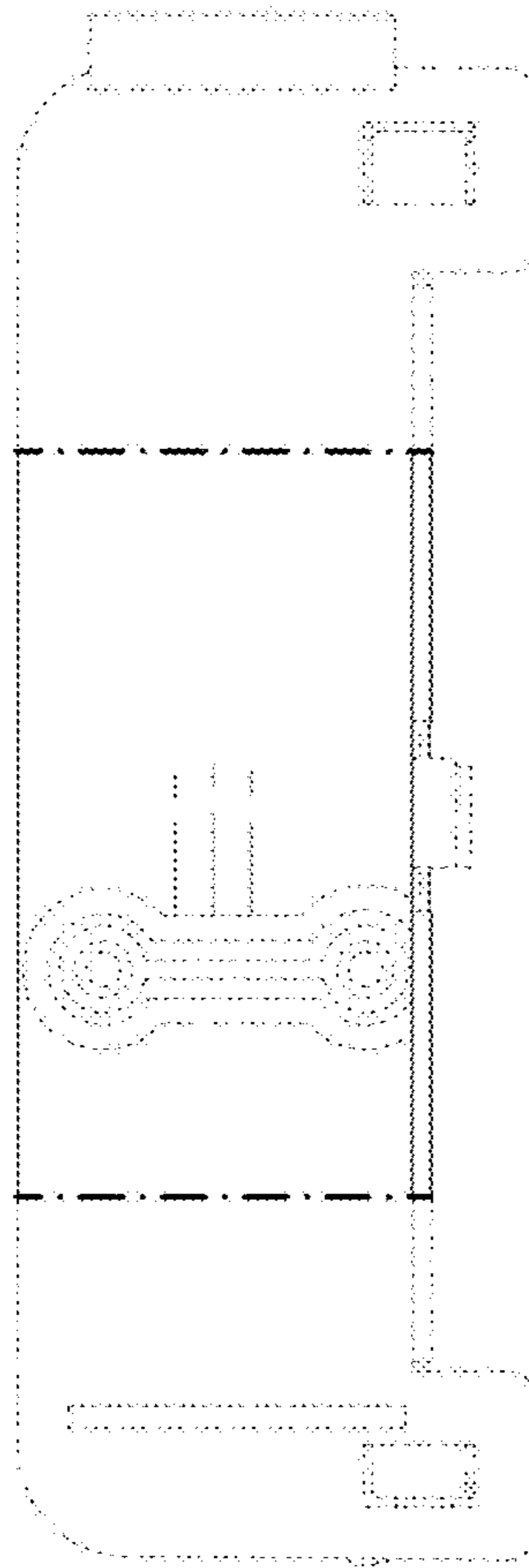


FIG. 9

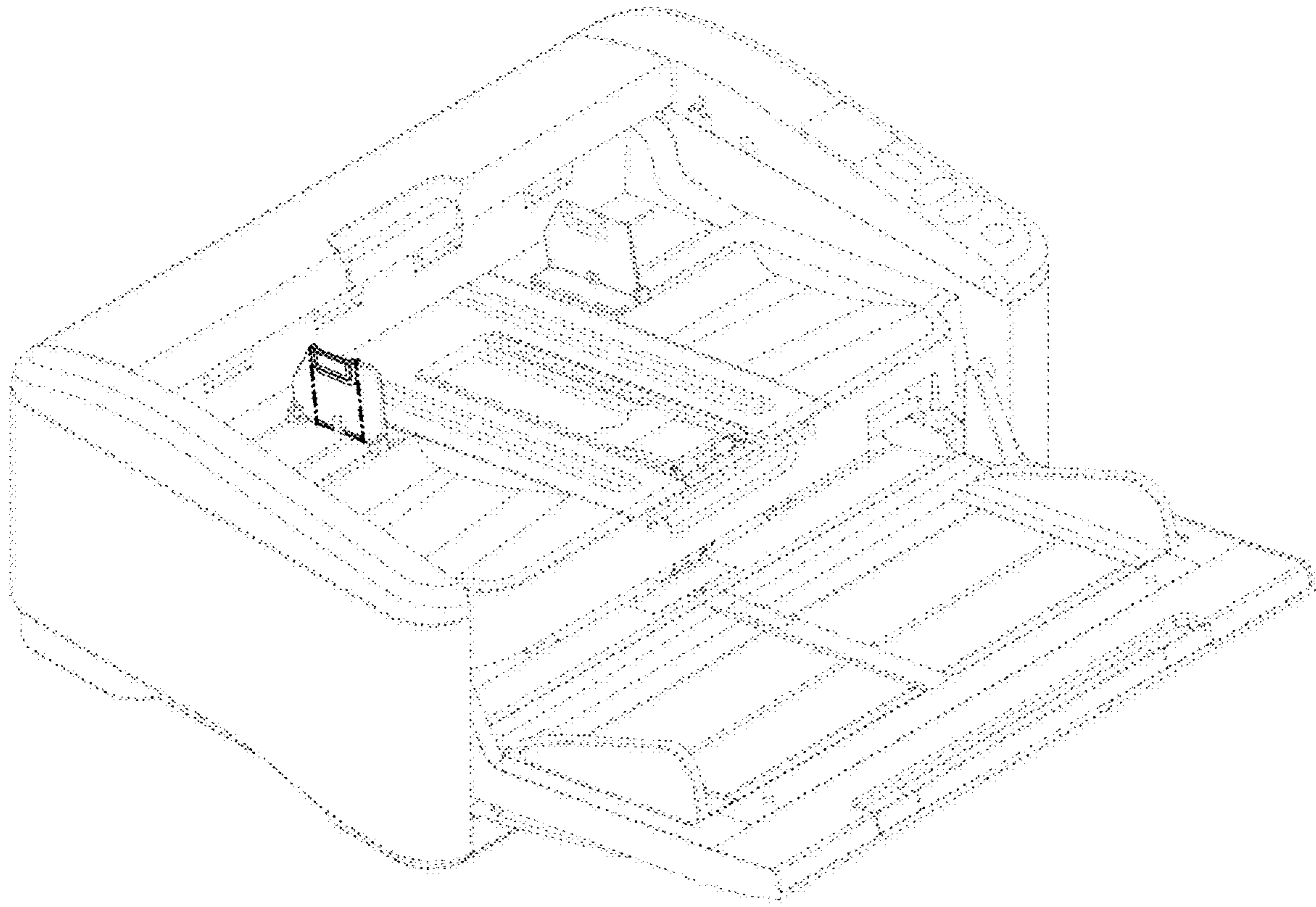


FIG. 10