



US00D951346S

(12) **United States Design Patent** (10) **Patent No.:** **US D951,346 S**  
**Shiihara** (45) **Date of Patent:** **\*\* May 10, 2022**

(54) **COMBINATION COPIER, SCANNER,  
PRINTER**

FOREIGN PATENT DOCUMENTS

(71) Applicant: **FUJIFILM Corporation**, Tokyo (JP)

JP Design 1307040 S 8/2007  
JP Design 1447814 S 7/2013

(72) Inventor: **Tsutomu Shiihara**, Tokyo (JP)

(Continued)

(73) Assignee: **FUJIFILM CORPORATION**, Tokyo (JP)

OTHER PUBLICATIONS

(\*\*) Term: **15 Years**

Dell Xerox WorkCentre 6027 Printer—no date, p. 1—indiamart.com—<https://www.indiamart.com/proddetail/dell-xerox-workcentre-6027-printer-19221599273.html> (Year: 2021).\*

(21) Appl. No.: **29/750,996**

*Primary Examiner* — Jennifer L Rempfer

(22) Filed: **Sep. 17, 2020**

*Assistant Examiner* — Danielle Nichole Bowly

(51) **LOC (13) Cl.** ..... **14-02**

(74) *Attorney, Agent, or Firm* — McGinn IP Law Group, PLLC

(52) **U.S. Cl.**

(57) **CLAIM**

USPC ..... **D18/50**

The ornamental design for combination copier, scanner, printer, as shown and described.

(58) **Field of Classification Search**

**DESCRIPTION**

USPC ..... D18/4.1, 4.4, 4.6, 37, 38, 39, 50, 53, 54,  
D18/55, 59; D14/300, 301, 302, 307,  
D14/308, 314, 321, 365, 445, 446;  
D6/514, 672, 681.2, 691.9  
CPC ... H04H 2201/0094; H04H 2201/0081; H04N  
1/00278  
See application file for complete search history.

FIG. 1 is a perspective view of a combination copier, scanner, printer showing my new design;  
FIG. 2 is another perspective view of the combination copier, scanner, printer;  
FIG. 3 is a front view of the combination copier, scanner, printer;  
FIG. 4 is a rear view of the combination copier, scanner, printer;  
FIG. 5 is a right side view of the combination copier, scanner, printer;  
FIG. 6 is a left side view of the combination copier, scanner, printer;  
FIG. 7 is a plan view of the combination copier, scanner, printer; and,  
FIG. 8 is a bottom view of the combination copier, scanner, printer.  
The broken lines show portions of the design that form no part of the claim.

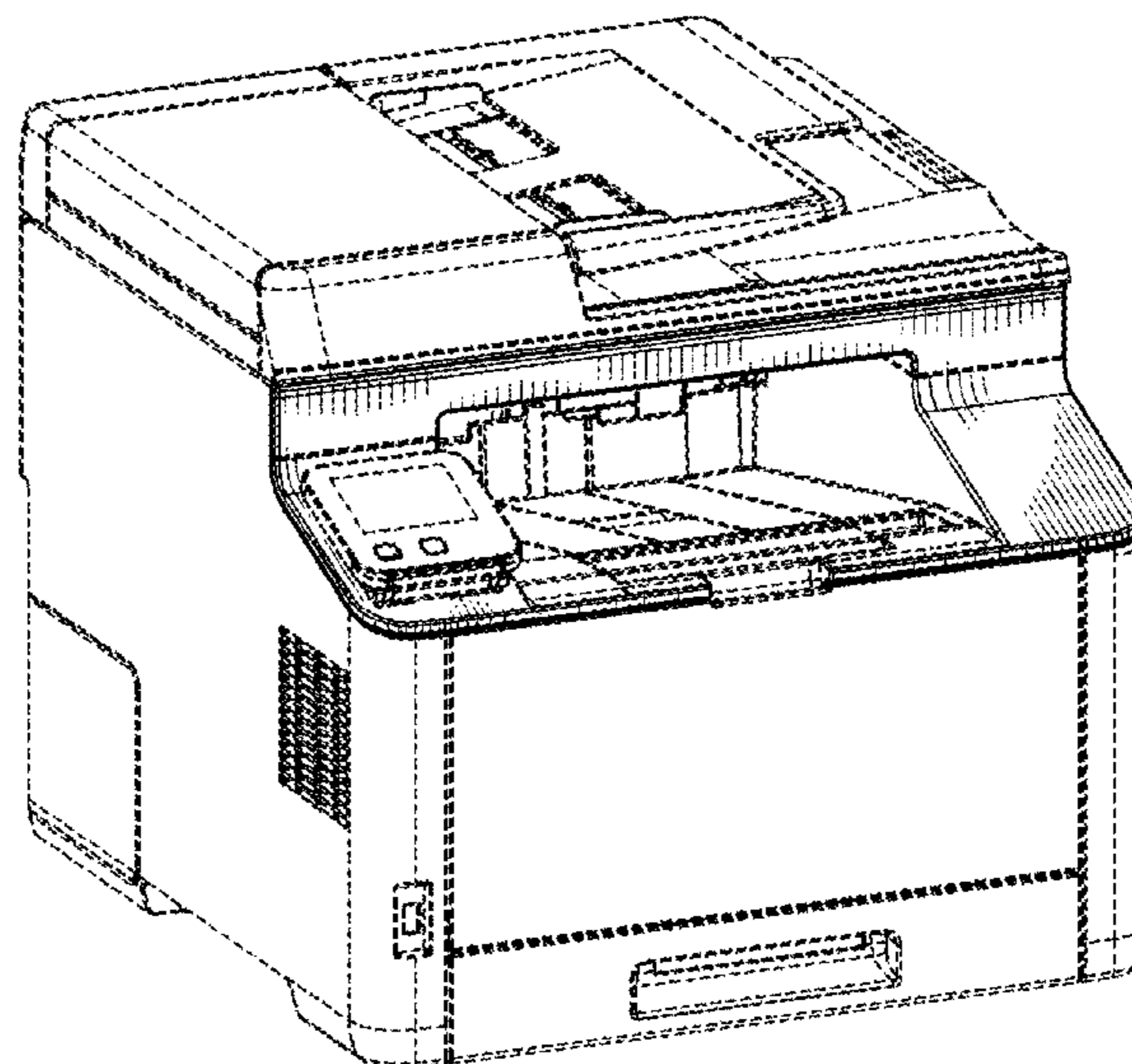
(56) **References Cited**

U.S. PATENT DOCUMENTS

D697,550 S \* 1/2014 Nanno ..... D18/50  
D701,563 S \* 3/2014 Kim ..... D18/53  
D727,415 S \* 4/2015 Takeda ..... D18/53  
D794,707 S \* 8/2017 Nanno ..... D18/50  
D807,426 S \* 1/2018 Brown ..... D18/50  
D818,528 S \* 5/2018 Tashima ..... D18/50  
D819,124 S \* 5/2018 Brown ..... D18/55  
D820,907 S \* 6/2018 Brown ..... D18/53  
D821,488 S \* 6/2018 Brown ..... D18/41  
D821,489 S \* 6/2018 Brown ..... D18/41  
D821,490 S \* 6/2018 Mita ..... D18/55  
D822,103 S \* 7/2018 Mita ..... D18/55

(Continued)

**1 Claim, 8 Drawing Sheets**



(56)

**References Cited**

U.S. PATENT DOCUMENTS

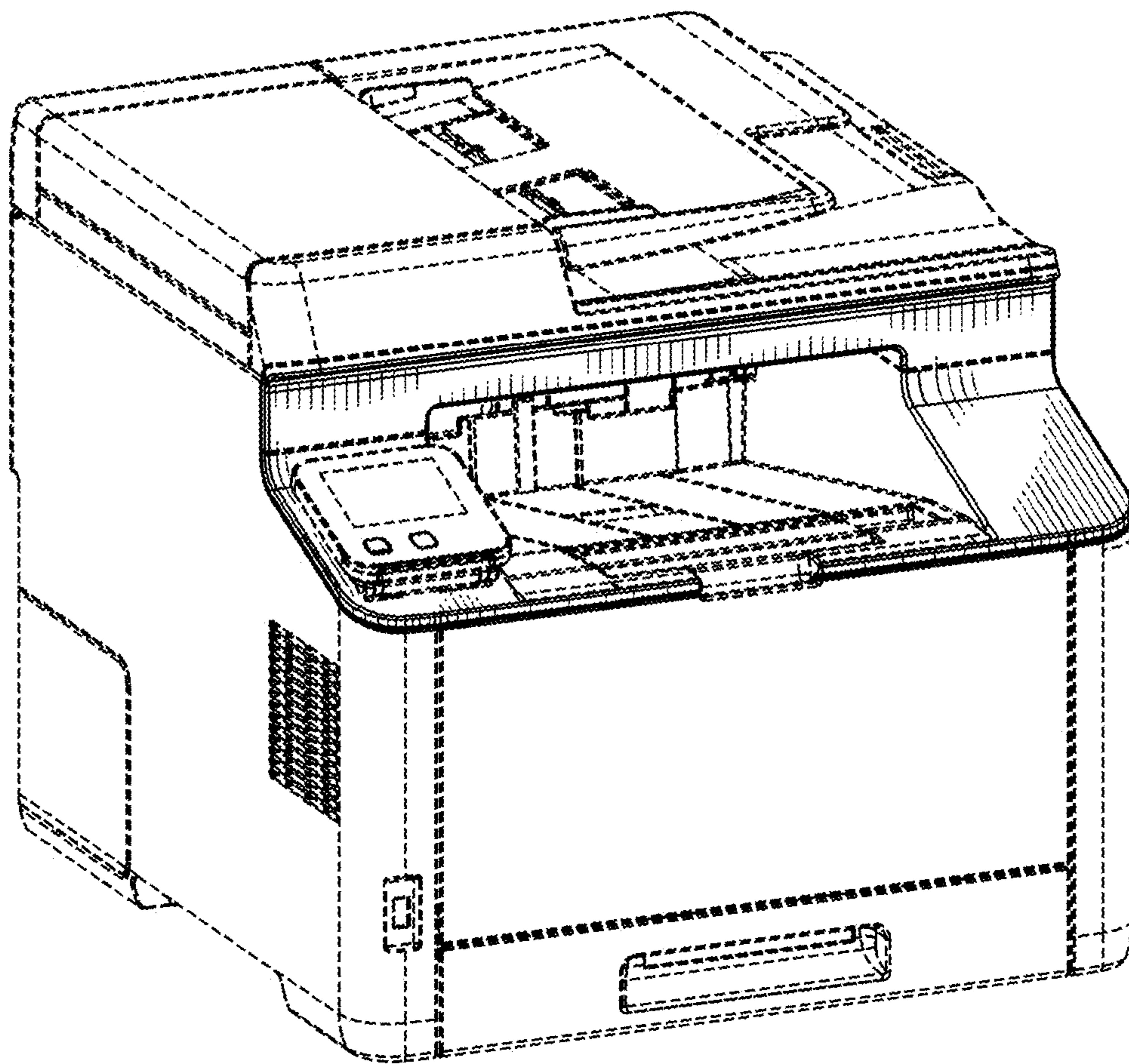
D826,321 S \* 8/2018 Kim ..... D18/53  
D832,343 S \* 10/2018 Kim ..... D18/53  
D837,292 S \* 1/2019 Li ..... D18/50  
D841,731 S \* 2/2019 Brown ..... D18/47  
D857,793 S \* 8/2019 Brown ..... D18/56  
D868,884 S \* 12/2019 Inada ..... D18/55  
D893,603 S \* 8/2020 Pangburn ..... D18/55  
D907,701 S \* 1/2021 Hayashi ..... D18/50  
11,122,173 B2 \* 9/2021 An ..... H04N 1/00559  
2015/0281484 A1 \* 10/2015 Hozono ..... H04N 1/00551  
358/471  
2018/0101114 A1 \* 4/2018 Takeuchi ..... G03G 21/1633  
2019/0268485 A1 \* 8/2019 Sakashita ..... G06K 9/00771  
2020/0092436 A1 \* 3/2020 Lagumbay ..... H04N 1/444  
2020/0145556 A1 \* 5/2020 Yoshimura ..... H04N 1/0048

FOREIGN PATENT DOCUMENTS

JP Design 1447816 S 7/2013  
JP Design 1443834 S 10/2013  
JP D1568038 \* 9/2016

\* cited by examiner

**FIG. 1**



**FIG. 2**

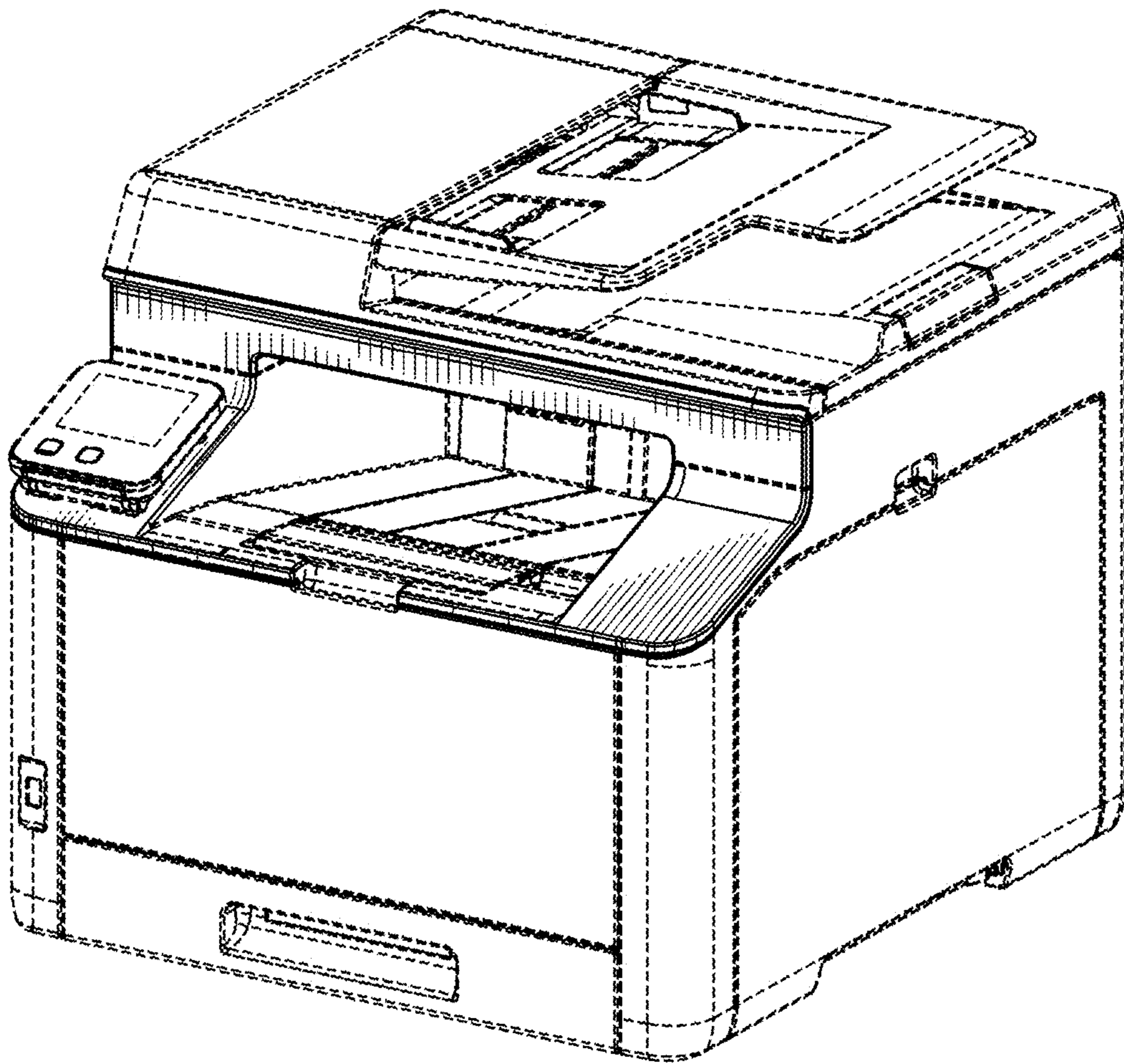


FIG. 3

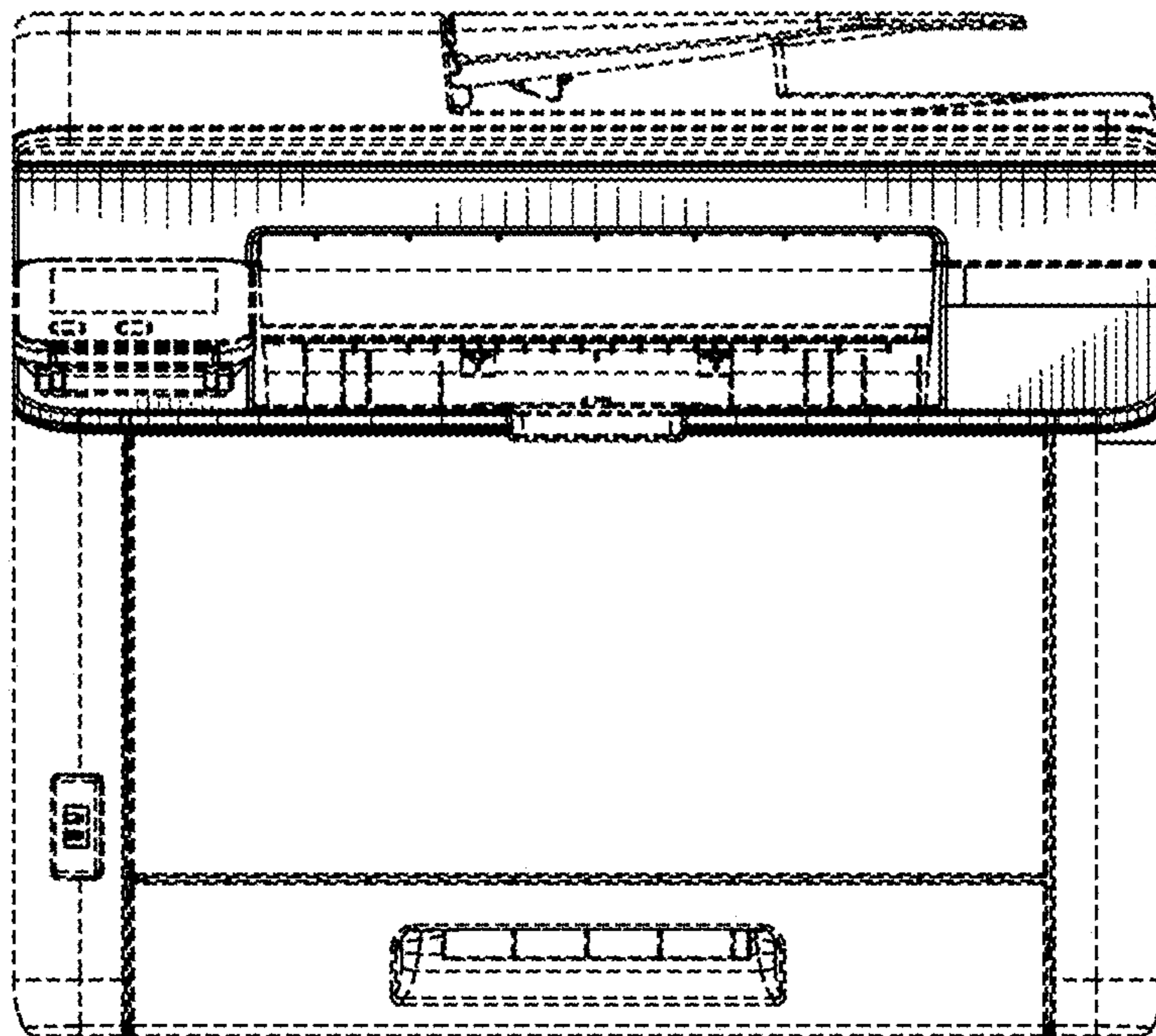


FIG. 4

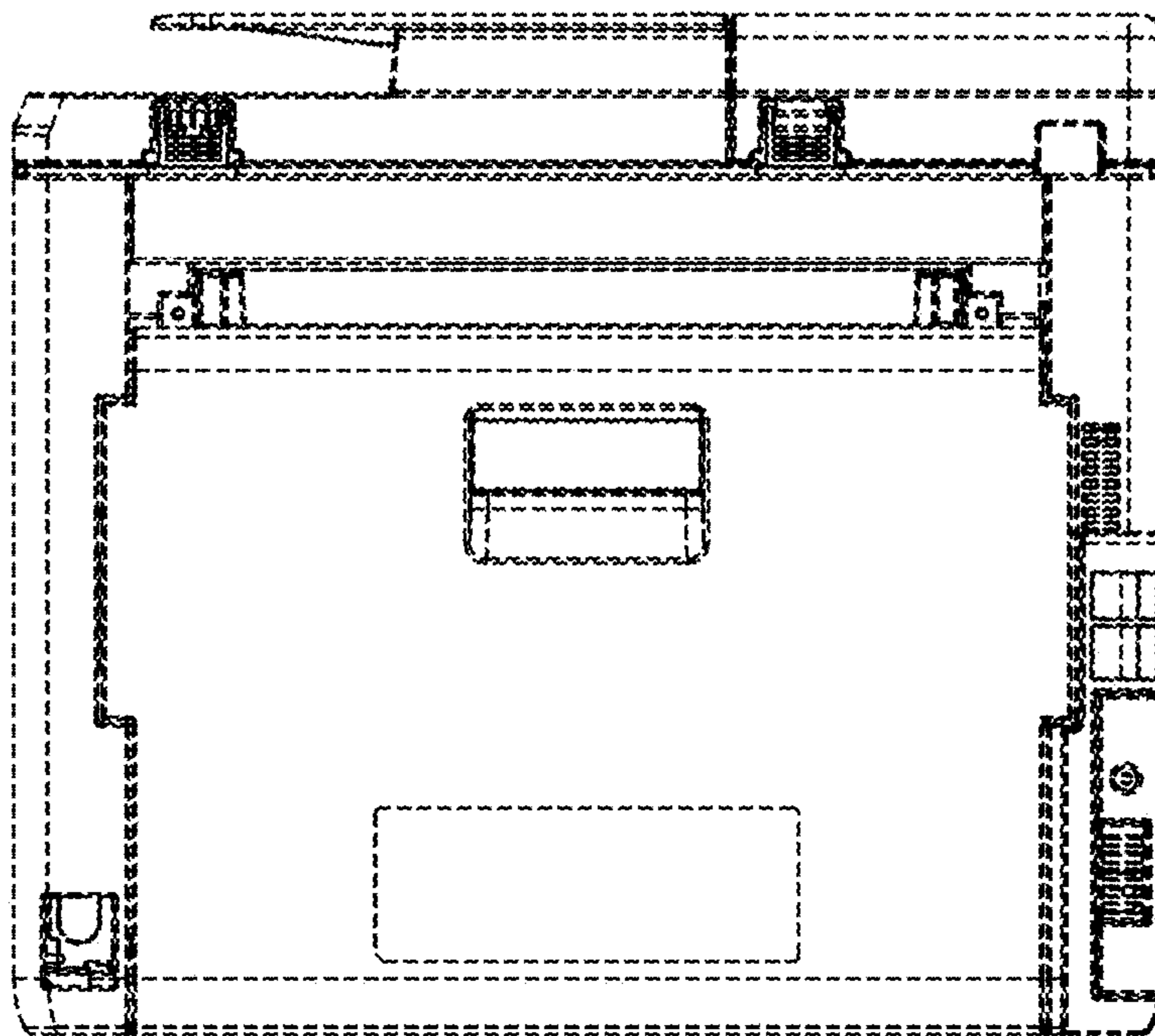


FIG. 5

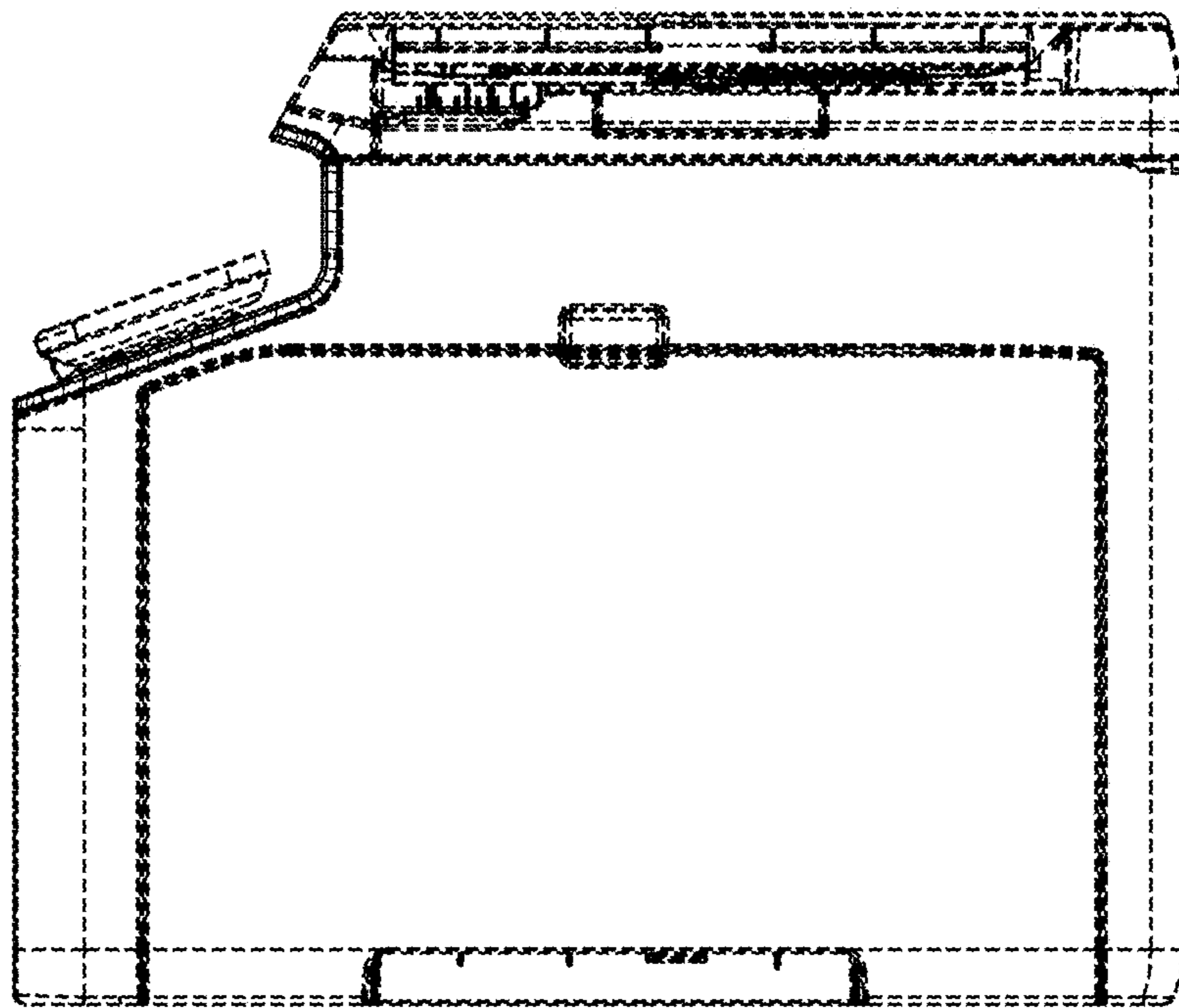


FIG. 6

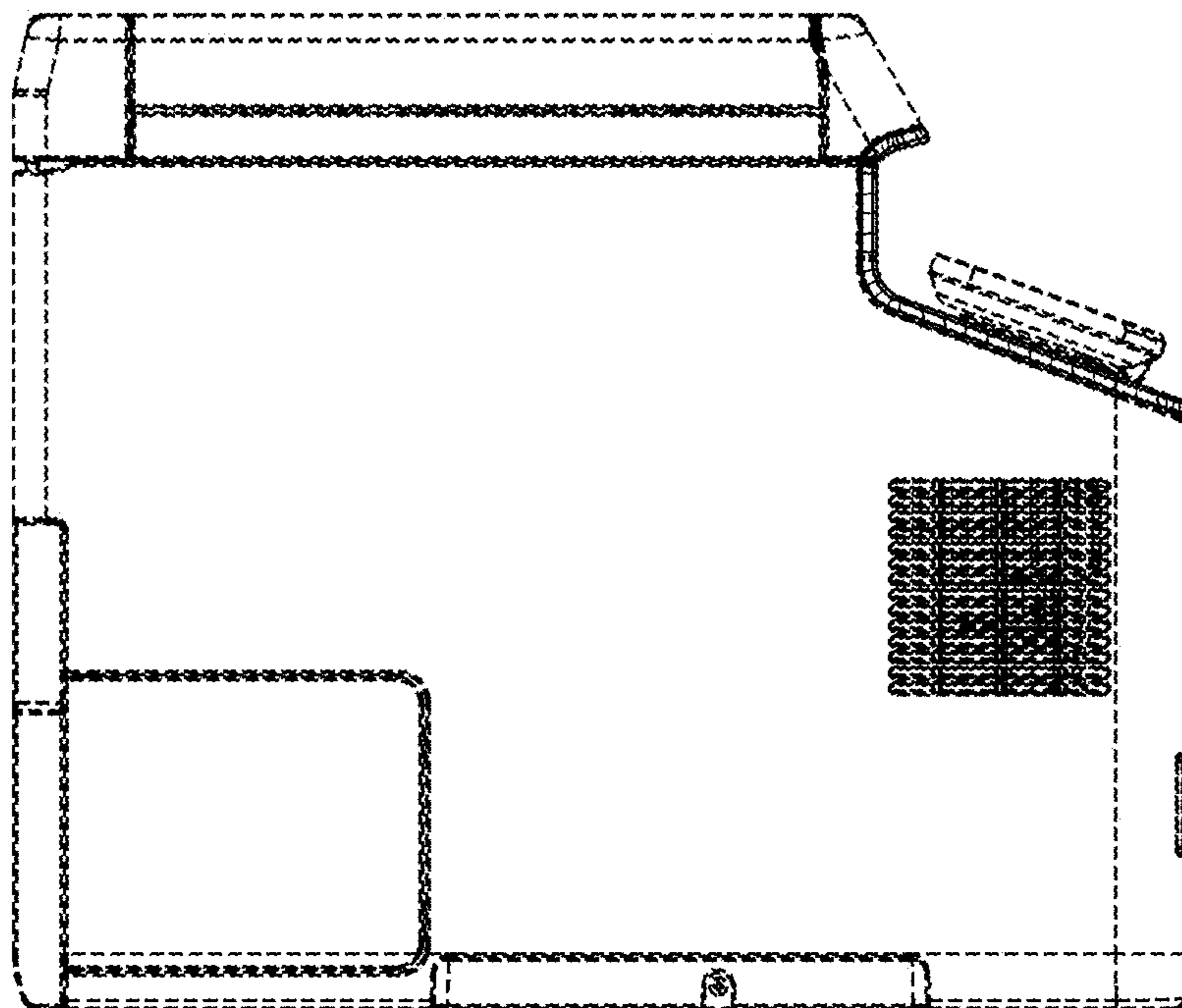




FIG. 7

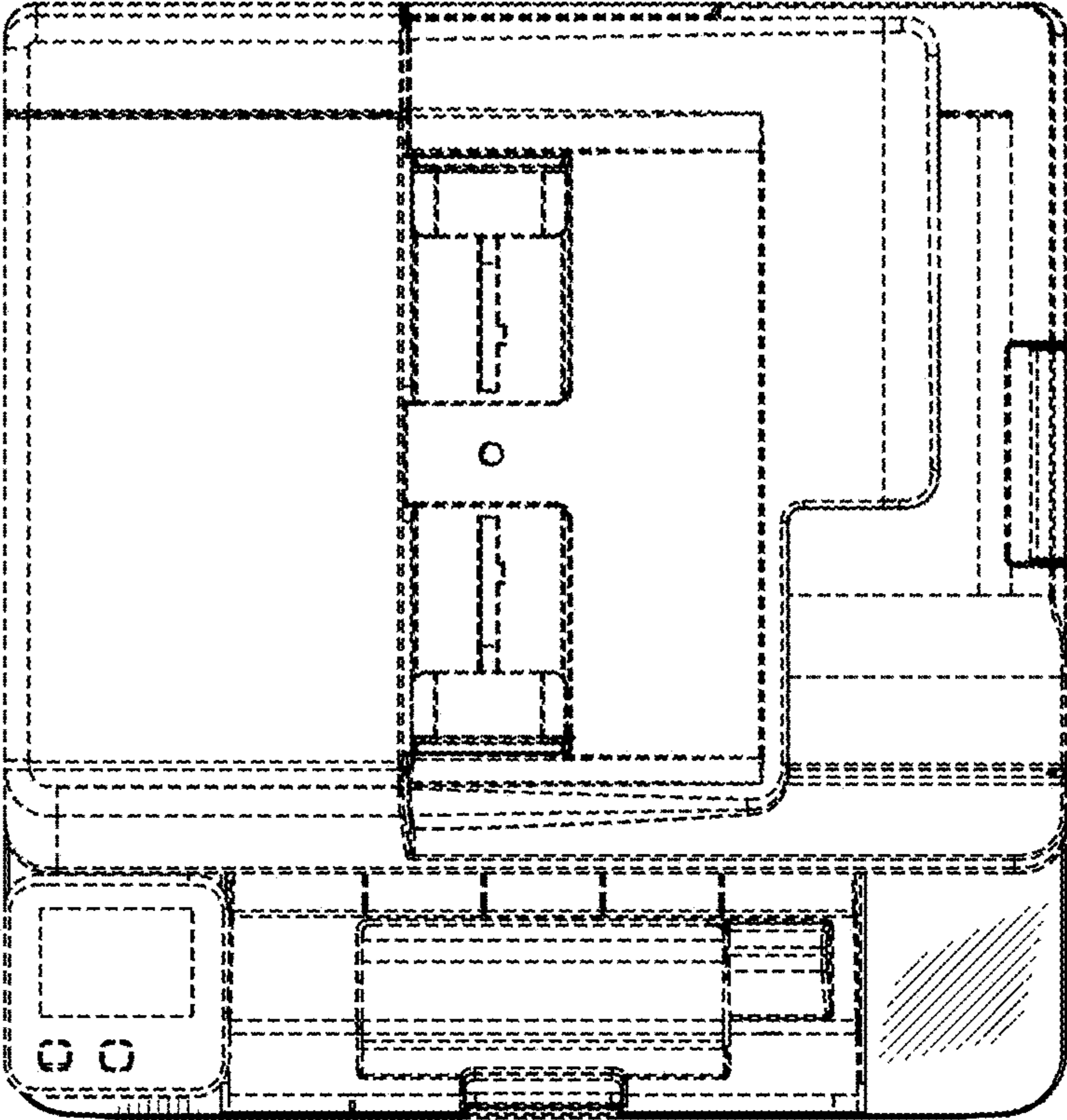


FIG. 8

