



US00D951345S

(12) **United States Design Patent**
Wang et al.

(10) **Patent No.:** **US D951,345 S**
(45) **Date of Patent:** **** May 10, 2022**

(54) **INDUSTRIAL PRINTER**

(71) Applicant: **Datamax-O'Neil Corporation**,
Altamonte Springs, FL (US)

(72) Inventors: **Dongdong Wang**, Shanghai (CN);
Tiecheng Qu, Shanghai (CN); **Hyung Kim**,
Lynnwood, WA (US); **Minying Du**, Shanghai (CN);
Yu Sun, Shanghai (CN)

(73) Assignee: **DATAMAX-O'NEIL CORPORATION**,
Altamonte Springs, FL (US)

(**) Term: **15 Years**

(21) Appl. No.: **29/714,997**

(22) Filed: **Nov. 27, 2019**

(51) **LOC (13) Cl.** **14-02**

(52) **U.S. Cl.**
USPC **D18/50**

(58) **Field of Classification Search**
USPC D18/4.1, 4.4, 4.6, 37, 38, 39, 50, 53, 54,
D18/55, 59; D14/300, 301, 302, 307,
(Continued)

(56) **References Cited**

U.S. PATENT DOCUMENTS

D340,471 S * 10/1993 Yamamoto D18/19
D366,648 S * 1/1996 Hill D14/308
(Continued)

OTHER PUBLICATIONS

Px940-Specs, p. 2, 2020-cdn.barcodes.inc.com-29714997-https://
cdn.barcodesinc.com/themes/barcodesinc/pdf/Honeywell/px940-
2021.pdf (Year: 2020).*

(Continued)

Primary Examiner — Jennifer L Rempfer
Assistant Examiner — Danielle Nichole Bowly

(74) *Attorney, Agent, or Firm* — Alston & Bird LLP

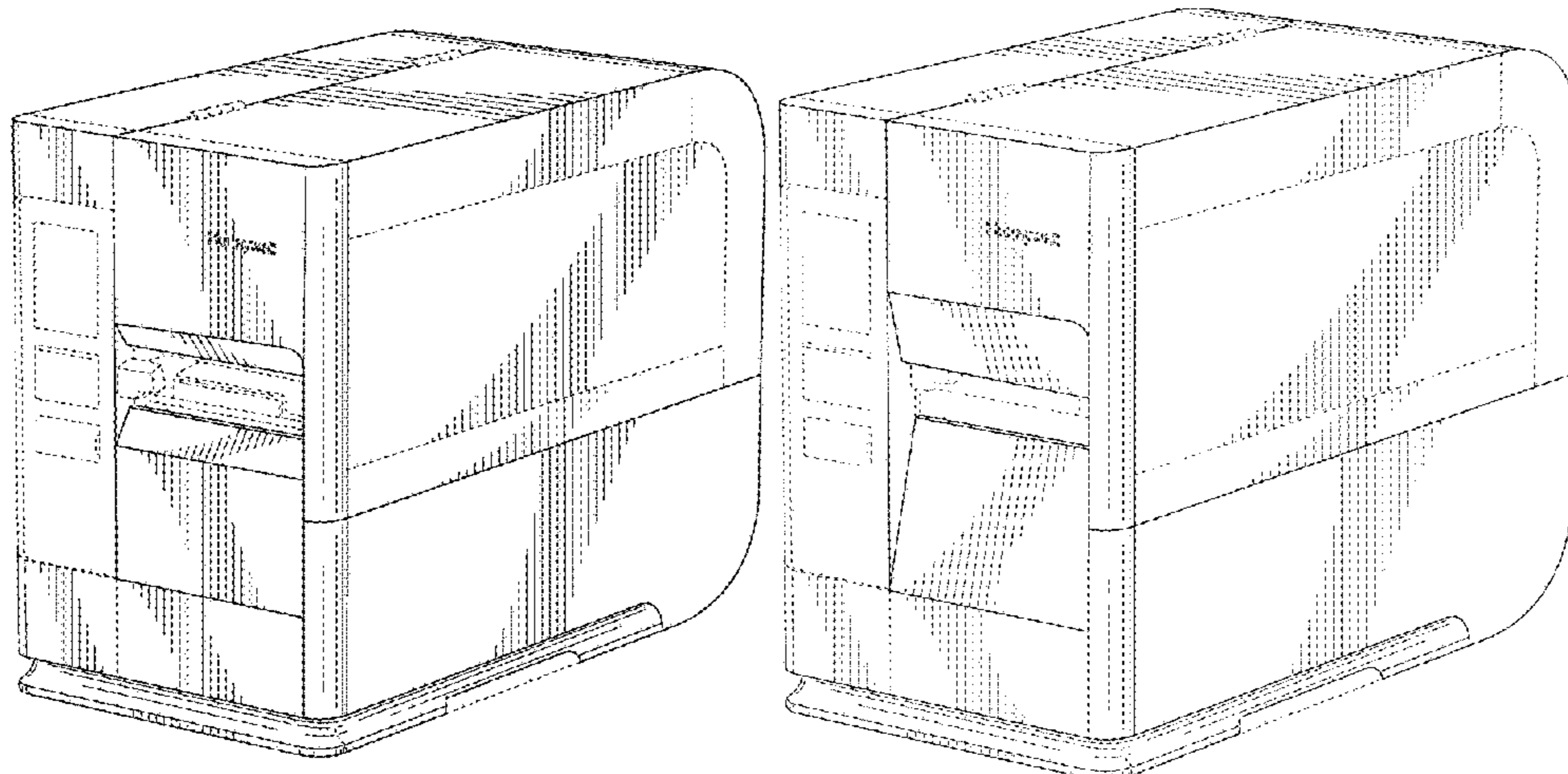
(57) **CLAIM**

The ornamental design for an industrial printer, as shown in the accompanying drawings and described above.

DESCRIPTION

FIG. 1 is a first perspective view of an industrial printer showing a new design;
FIG. 2 is another perspective view thereof;
FIG. 3 is a front elevation view thereof;
FIG. 4 is a right elevation view thereof;
FIG. 5 is a rear elevation view thereof;
FIG. 6 is a left elevation view thereof;
FIG. 7 is a top plan view thereof; and
FIG. 8 is a bottom plan view thereof.
FIG. 9 is a perspective view of another embodiment of an industrial printer showing a new design;
FIG. 10 is another perspective view thereof;
FIG. 11 is a front elevation view thereof;
FIG. 12 is a right elevation view thereof;
FIG. 13 is a rear elevation view thereof;
FIG. 14 is a left elevation view thereof;
FIG. 15 is a top plan view thereof; and
FIG. 16 is a bottom plan view thereof.
FIG. 17 is a perspective view of another embodiment of an industrial printer showing a new design;
FIG. 18 is another perspective view thereof;
FIG. 19 is a front elevation view thereof;
FIG. 20 is a right elevation view thereof;
FIG. 21 is a rear elevation view thereof;
FIG. 22 is a left elevation view thereof;
FIG. 23 is a top plan view thereof; and
FIG. 24 is a bottom plan view thereof.
FIG. 25 is a perspective view of another embodiment of an industrial printer showing a new design;
FIG. 26 is another perspective view thereof;
FIG. 27 is a front elevation view thereof;
FIG. 28 is a right elevation view thereof;
FIG. 29 is a rear elevation view thereof;
FIG. 30 is a left elevation view thereof;
FIG. 31 is a top plan view thereof; and
FIG. 32 is a bottom plan view thereof.

(Continued)



All broken lines illustrate unclaimed portions of the industrial printer and form no part of the claimed design.

1 Claim, 32 Drawing Sheets

(58) Field of Classification Search

USPC D14/308, 314, 321, 365; D6/514, 672,
D6/681.2, 691.9
CPC ... H04H 2201/0094; H04H 2201/0081; H04N
1/00278

See application file for complete search history.

(56) References Cited

U.S. PATENT DOCUMENTS

D369,381	S	*	4/1996	Gotham	D18/53
D404,726	S	*	1/1999	Murphy	D14/308
D636,018	S	*	4/2011	Kimura	D18/50
D640,736	S	*	6/2011	Kimura	D18/50
D641,039	S	*	7/2011	Kimura	D18/55
D677,720	S	*	3/2013	Tanaka	D18/55
D717,794	S	*	11/2014	Koberling	D14/349
D769,863	S	*	10/2016	Little	D14/300
D777,228	S	*	1/2017	Chang	D15/122
D818,039	S	*	5/2018	Tomomatsu	D18/50
D922,456	S	*	6/2021	Schmitt	D15/122

OTHER PUBLICATIONS

Honeywell PX940—News—p. 1-4. 12.2019-Anixandra-29714997-
[https://www.anixandra.com.pl/firma/aktualnosci/honeywell-px940,](https://www.anixandra.com.pl/firma/aktualnosci/honeywell-px940,p1431315860)
p1431315860 (Year: 2019).*

* cited by examiner

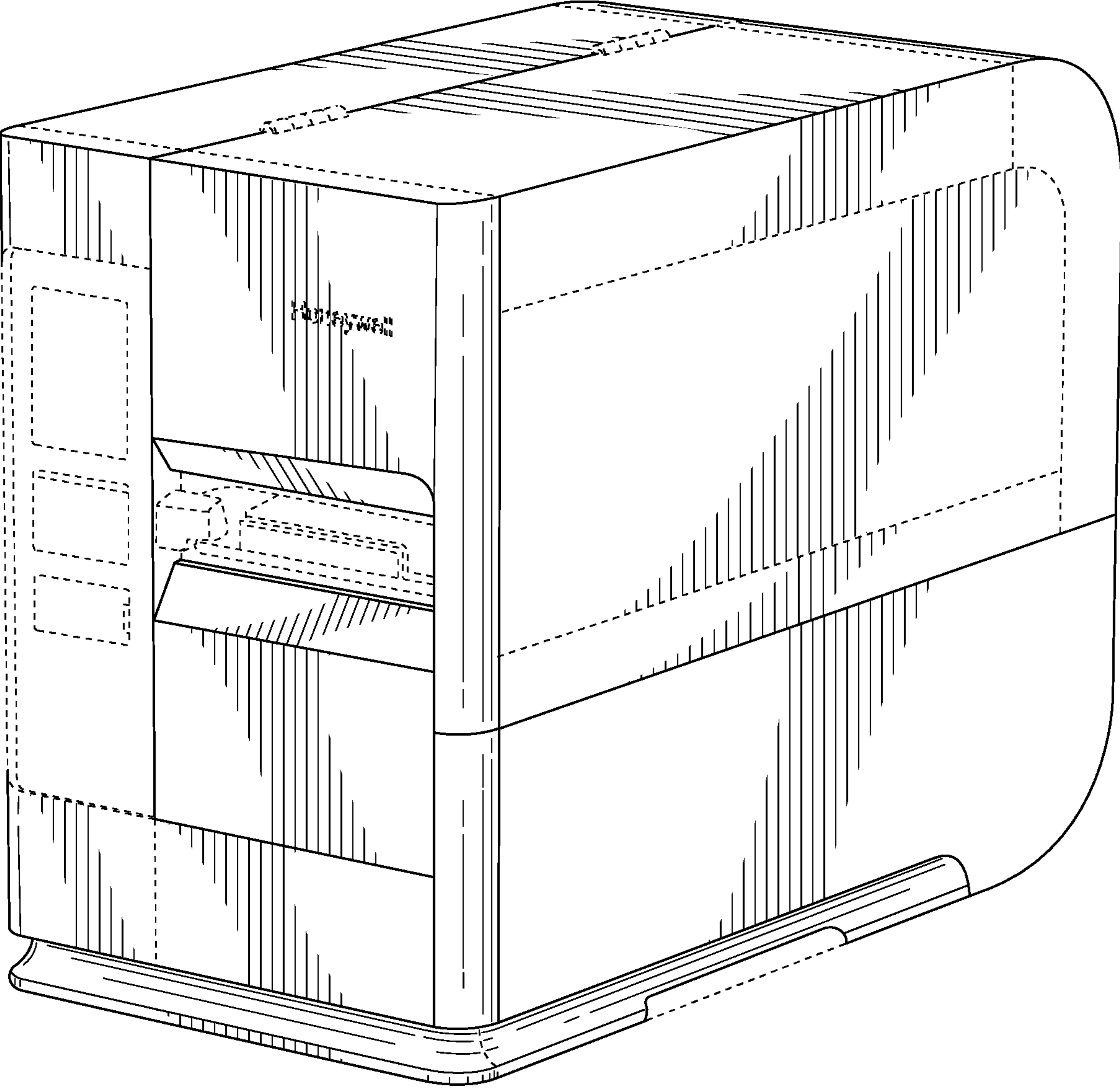


FIG. 1

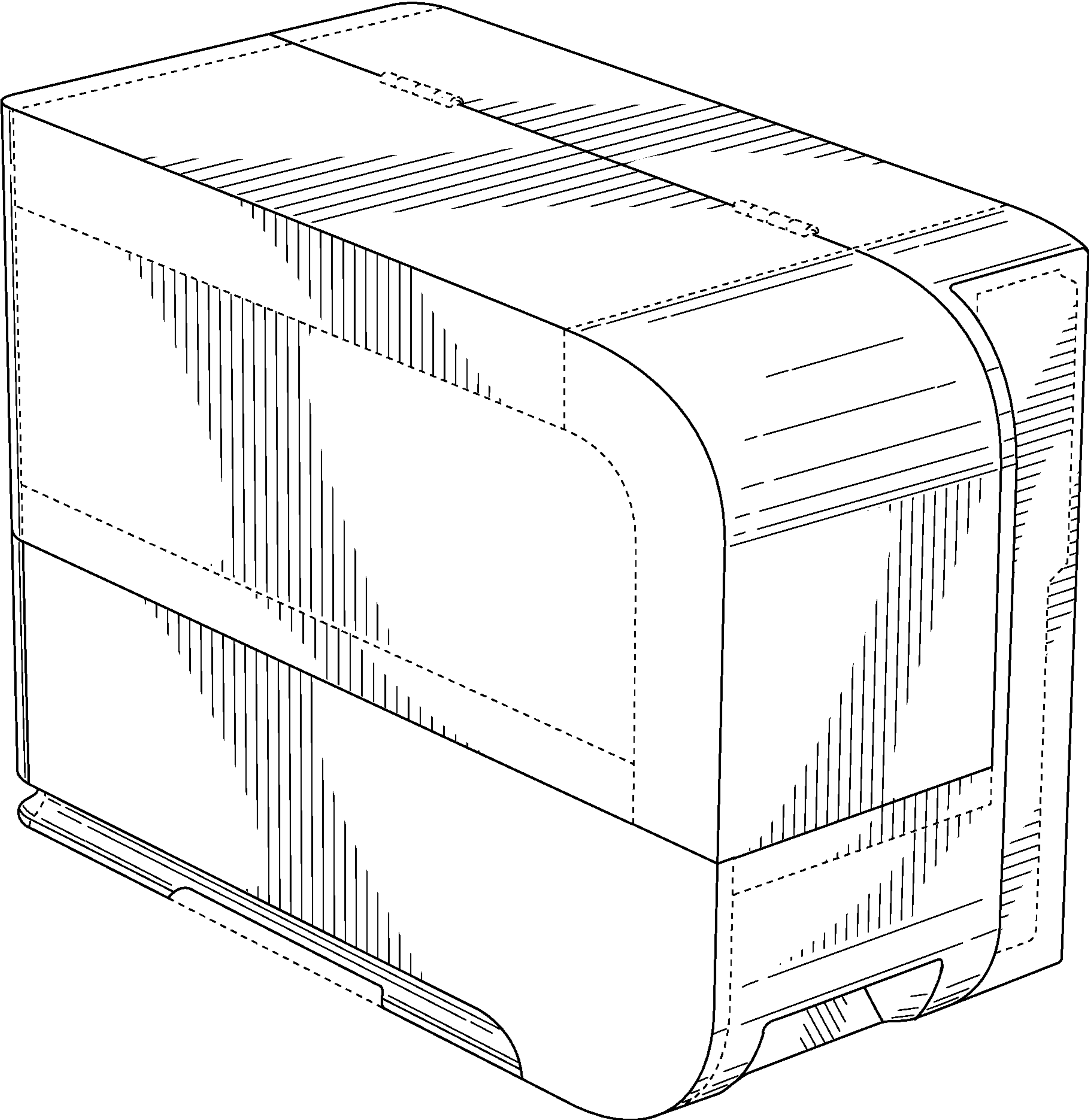


FIG. 2

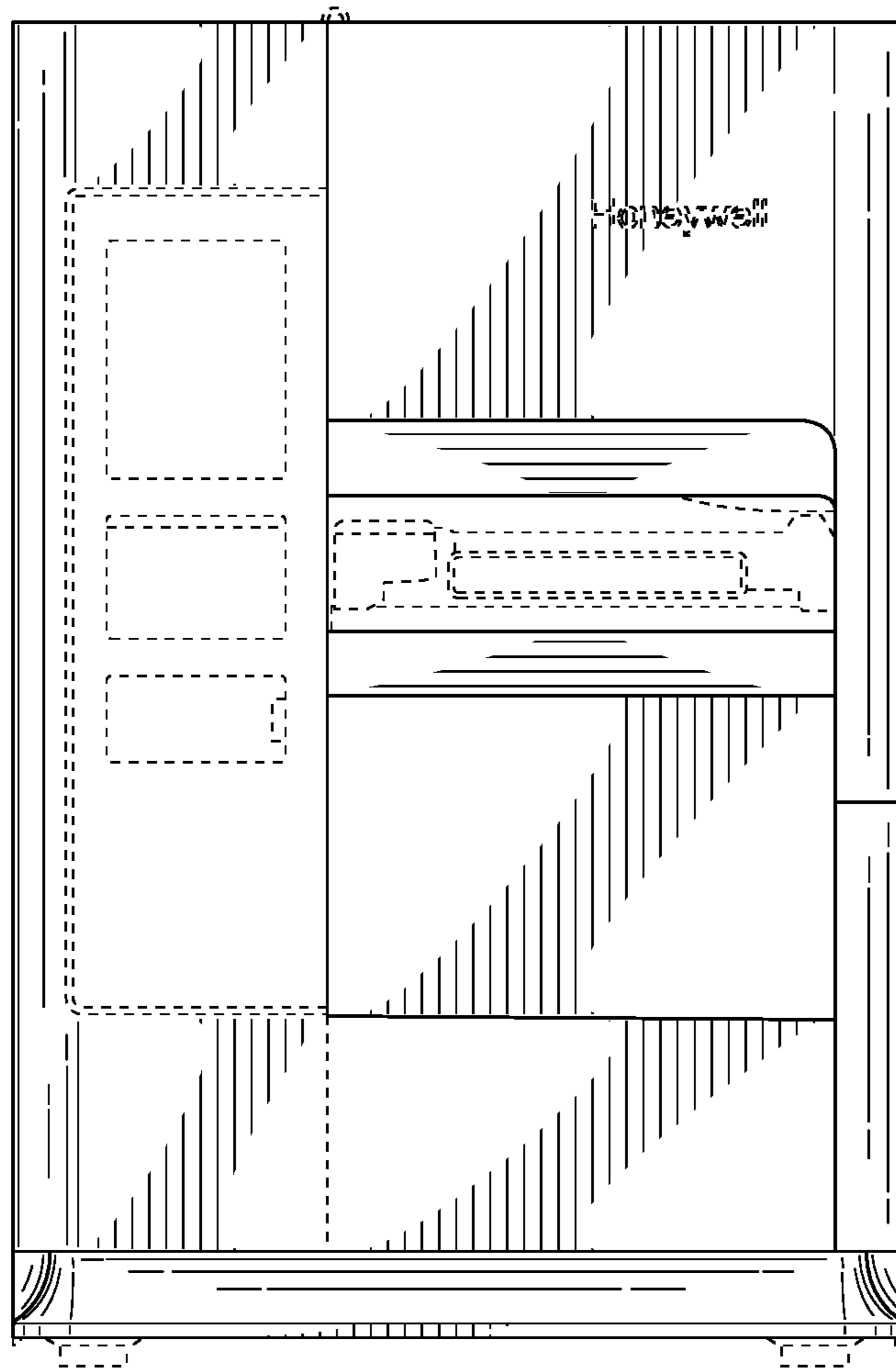


FIG. 3

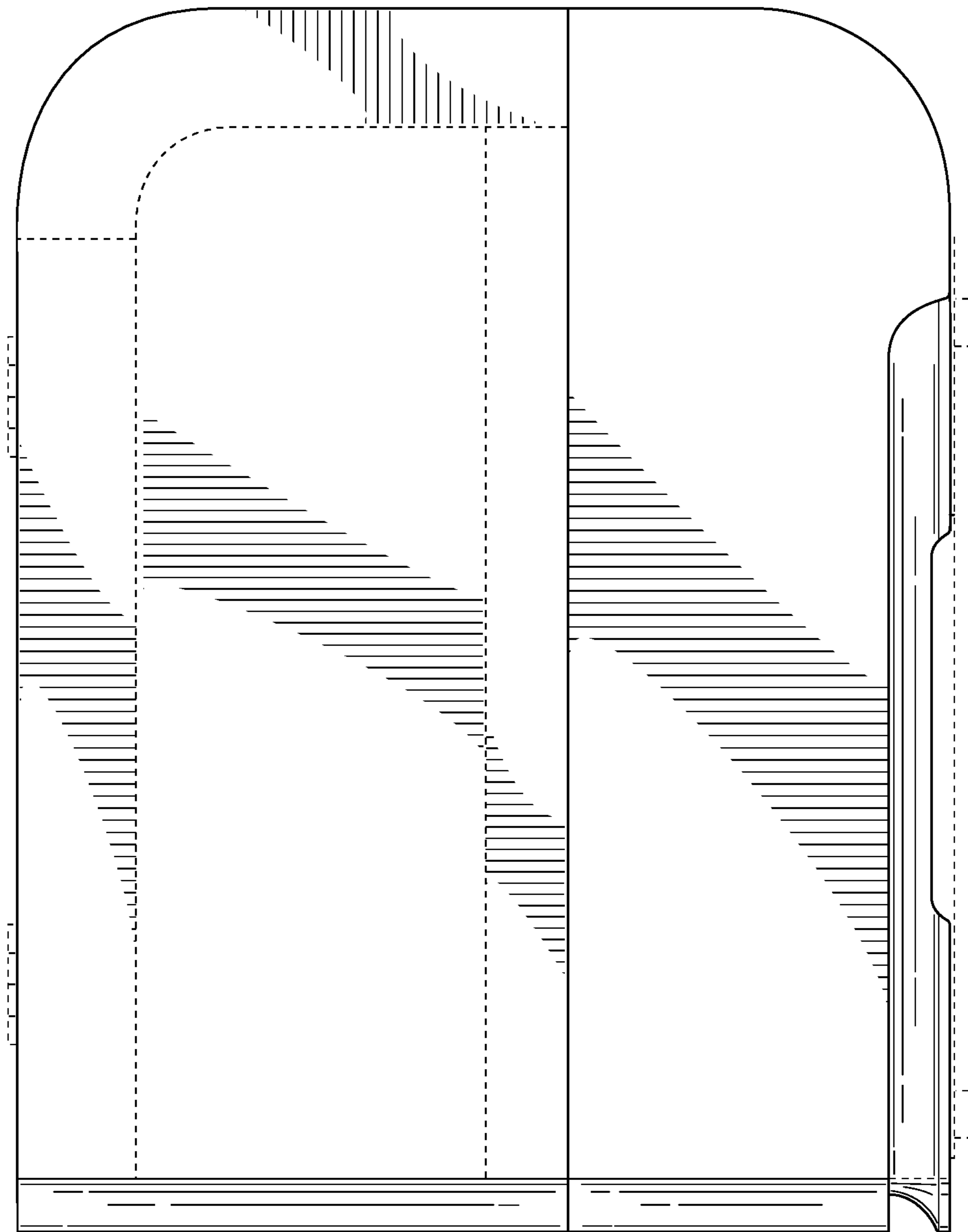


FIG. 4

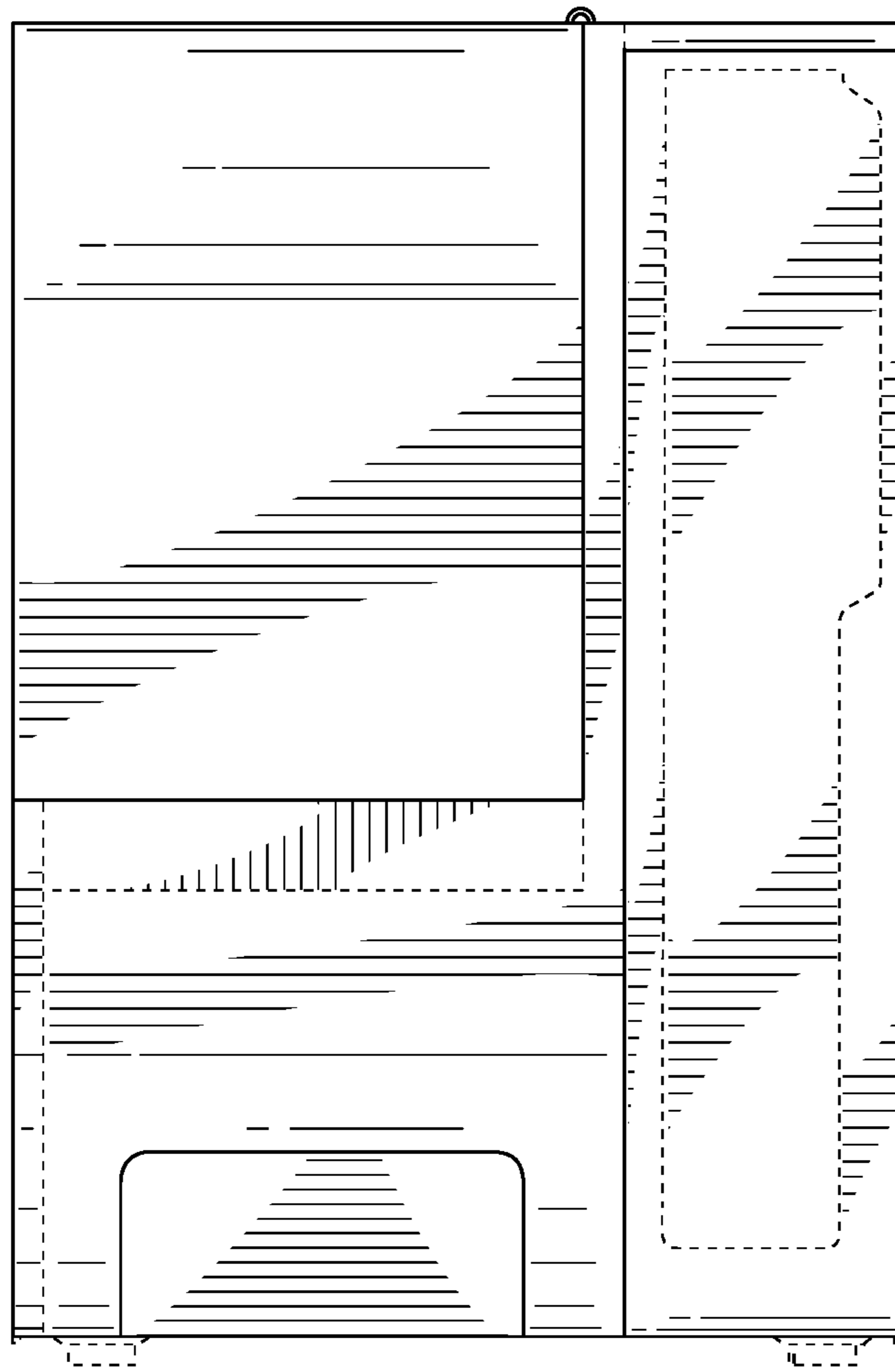


FIG. 5

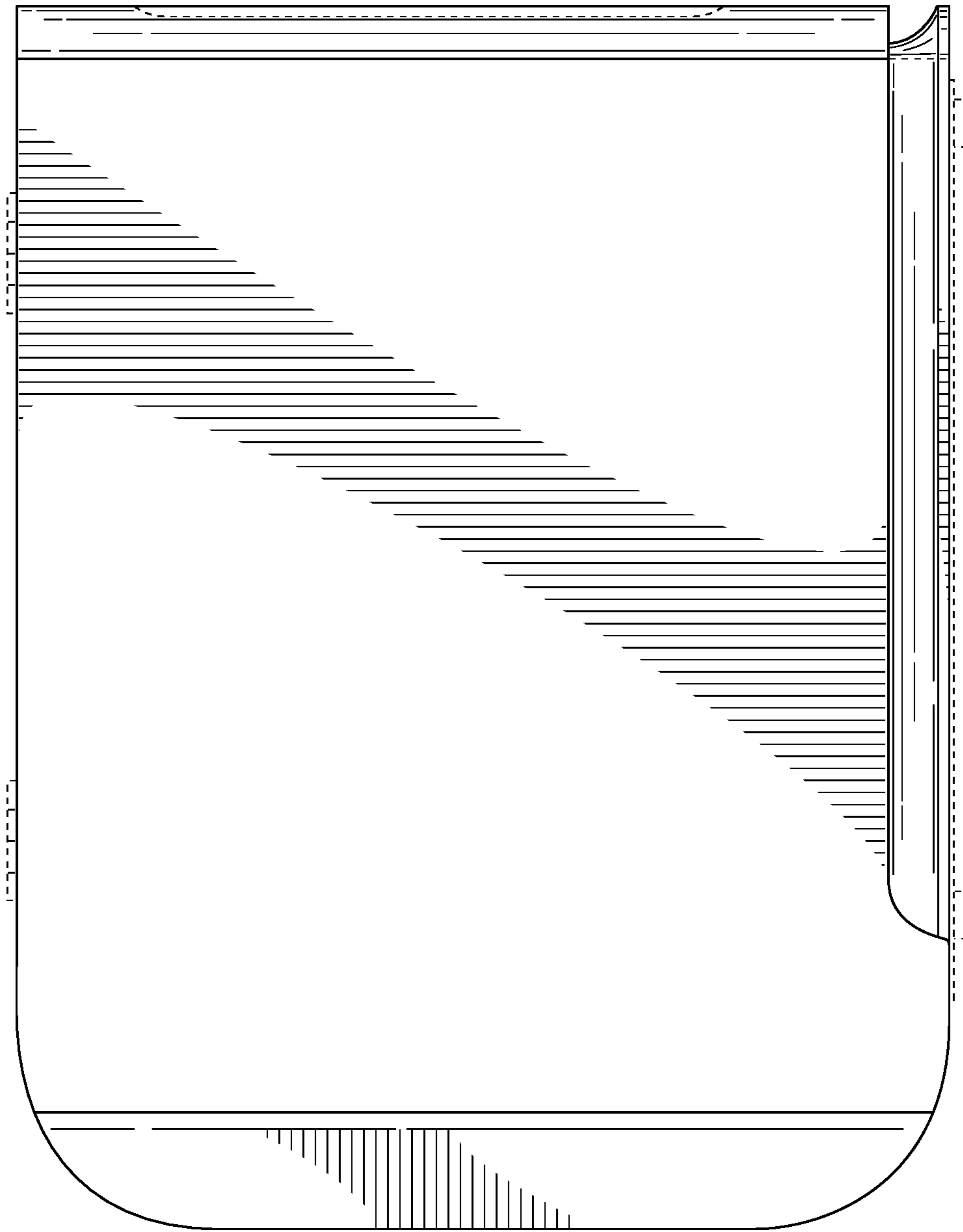


FIG. 6

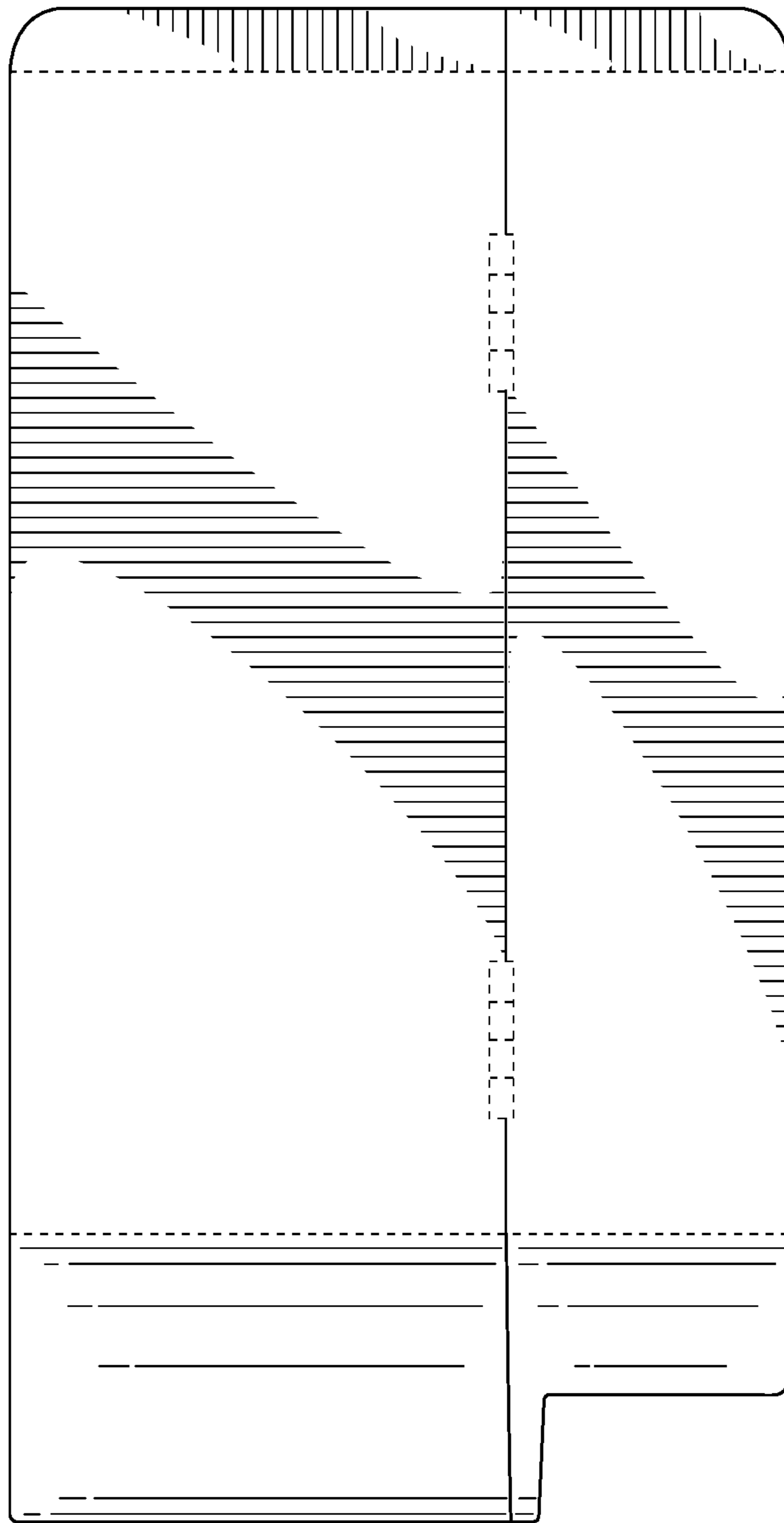


FIG. 7

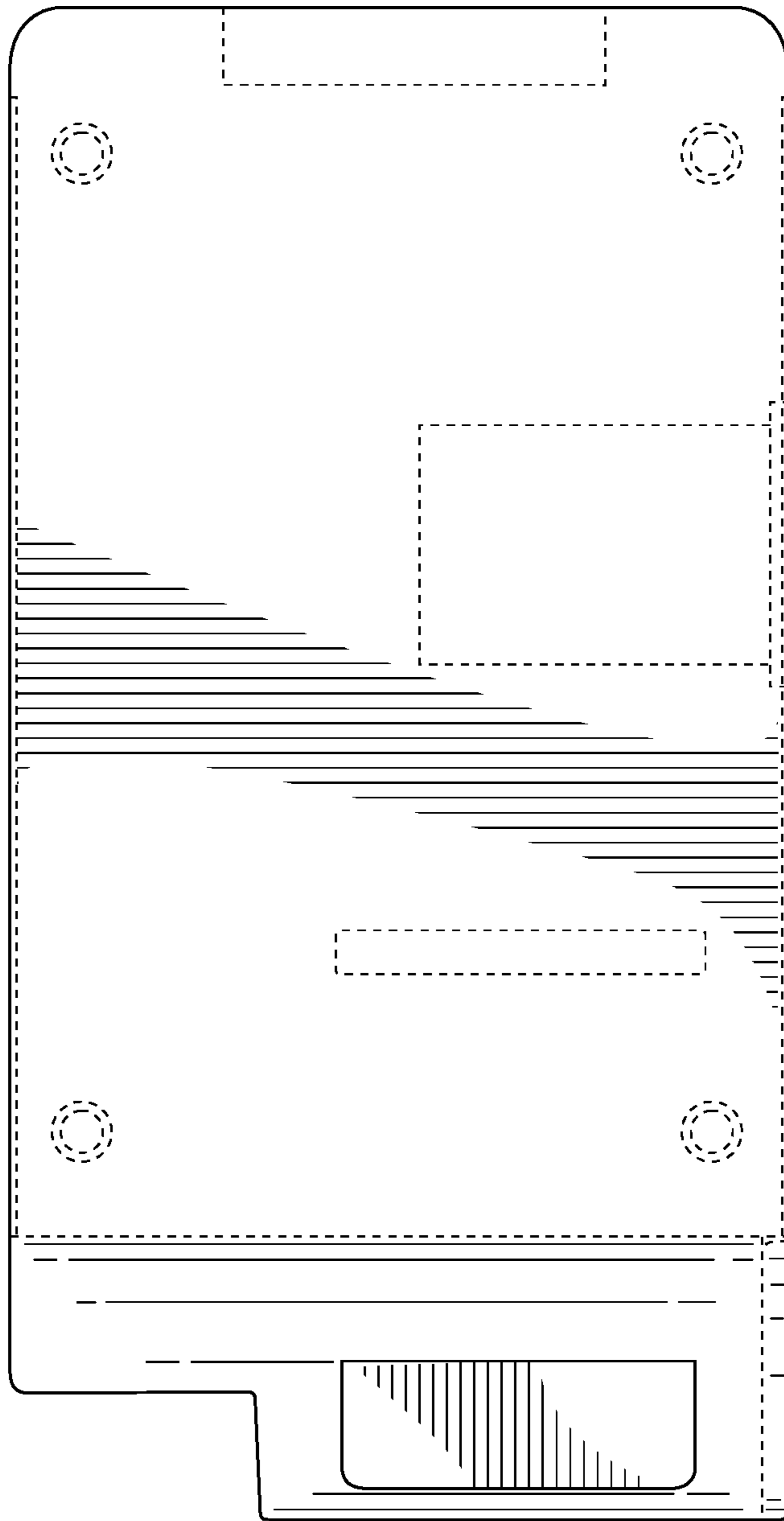


FIG. 8

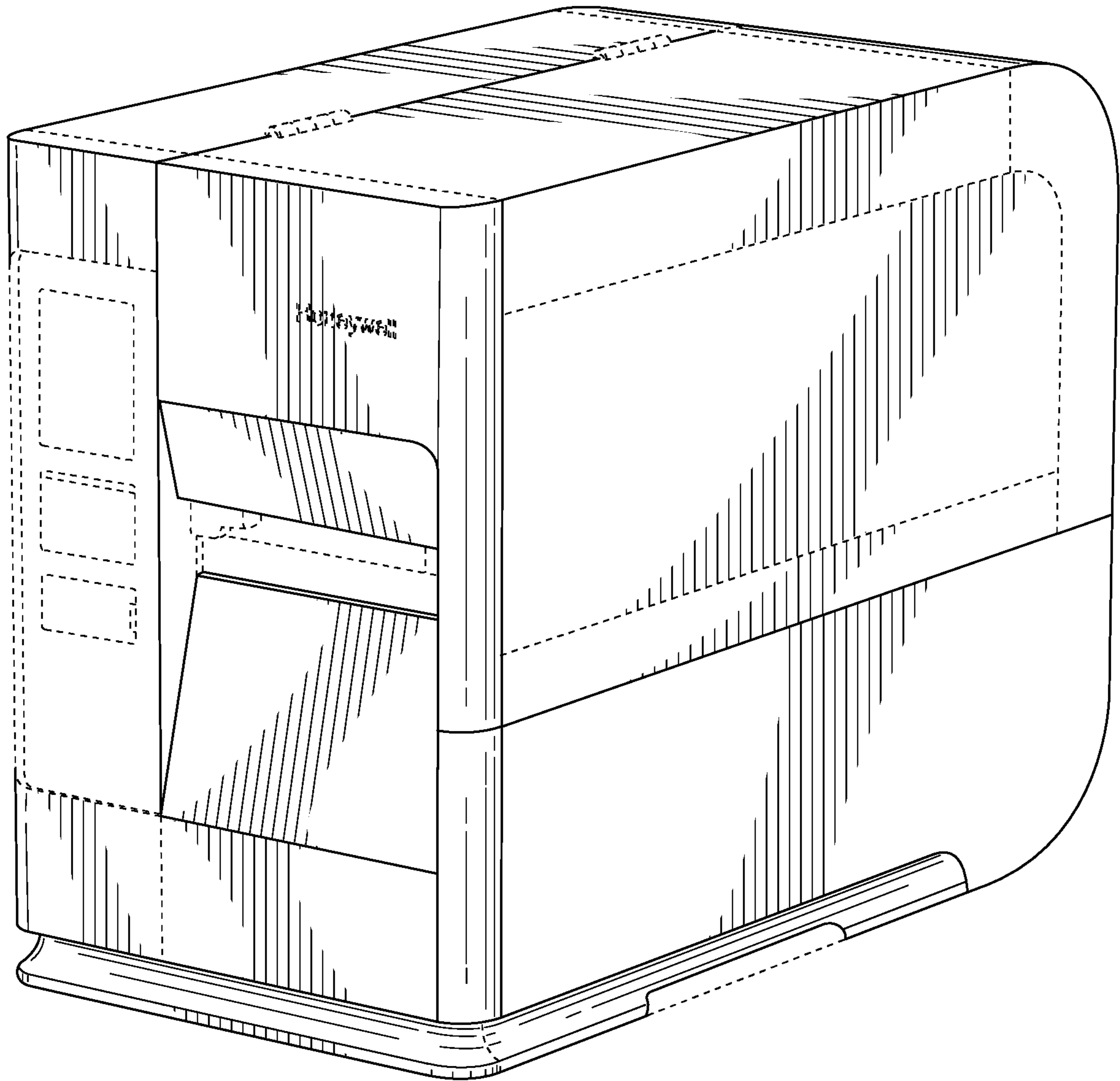


FIG. 9

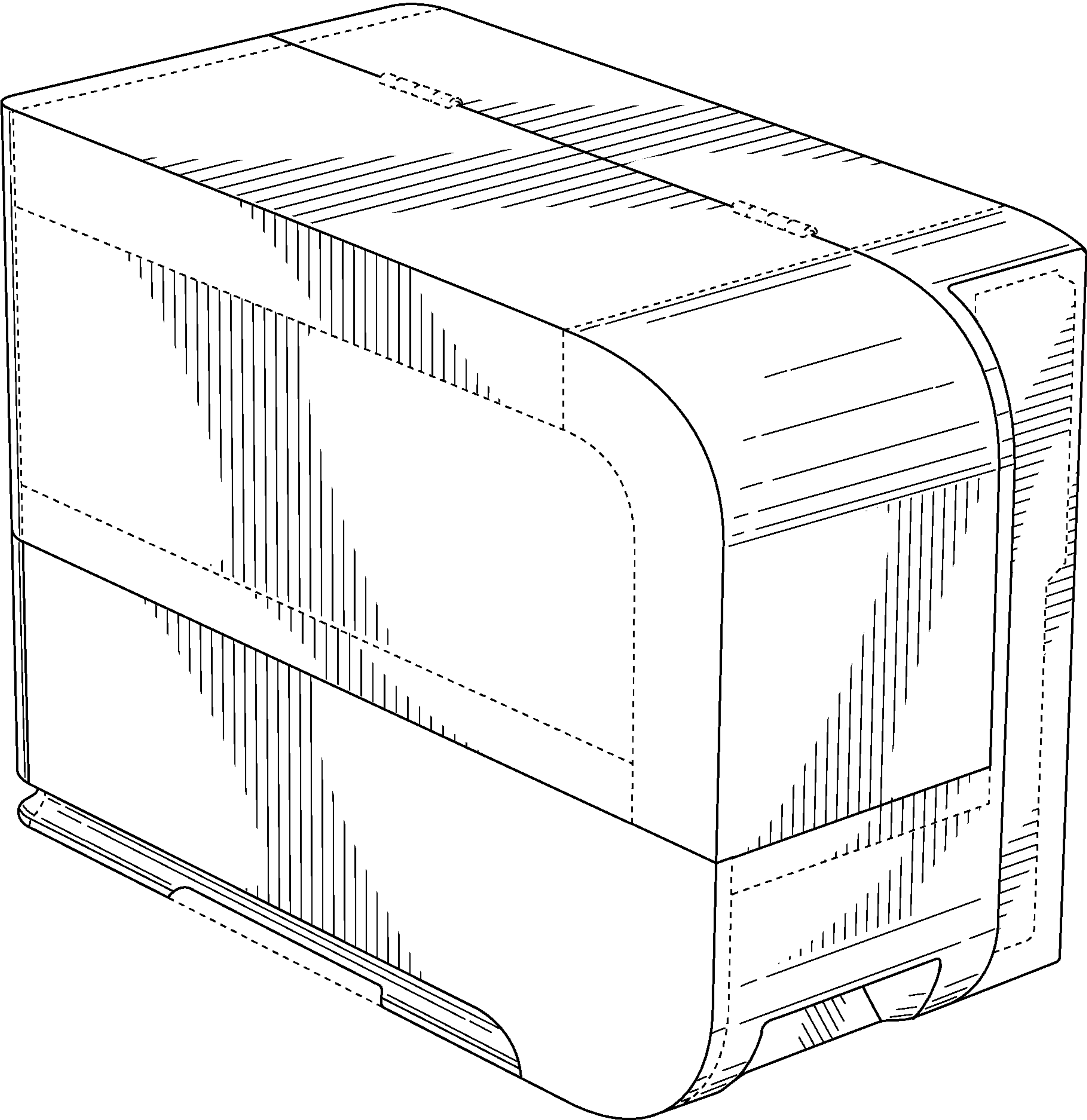


FIG. 10

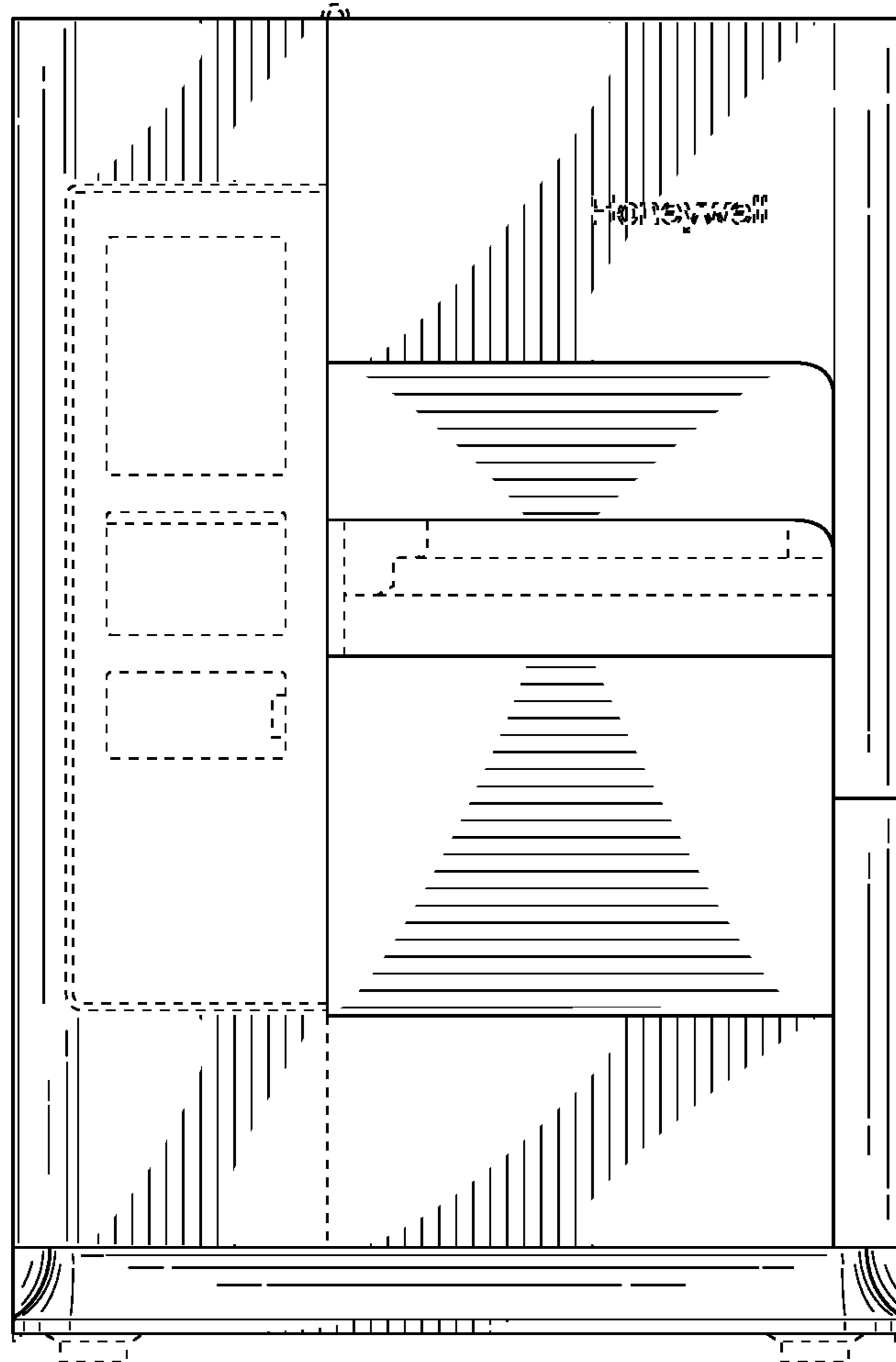


FIG. 11

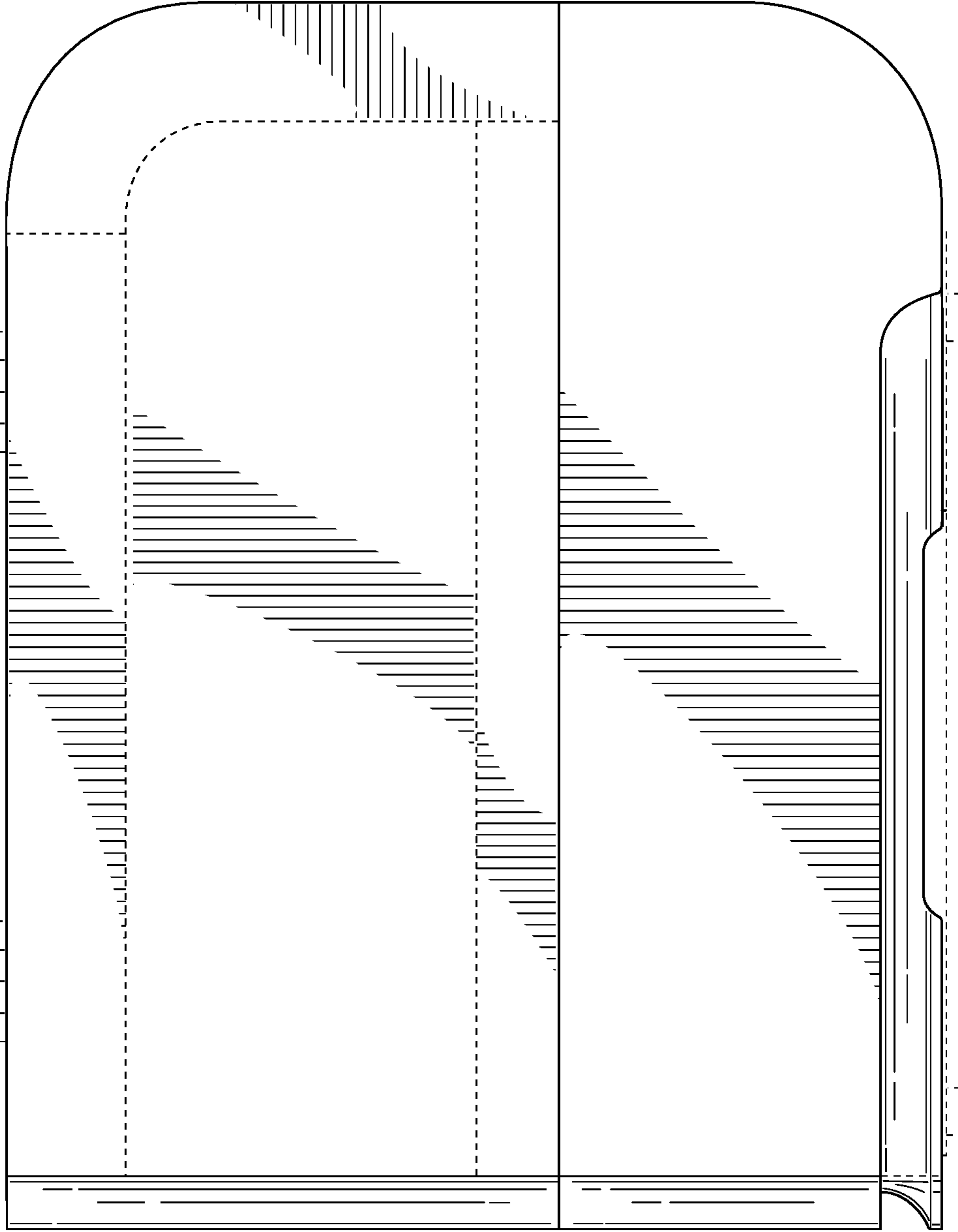


FIG. 12

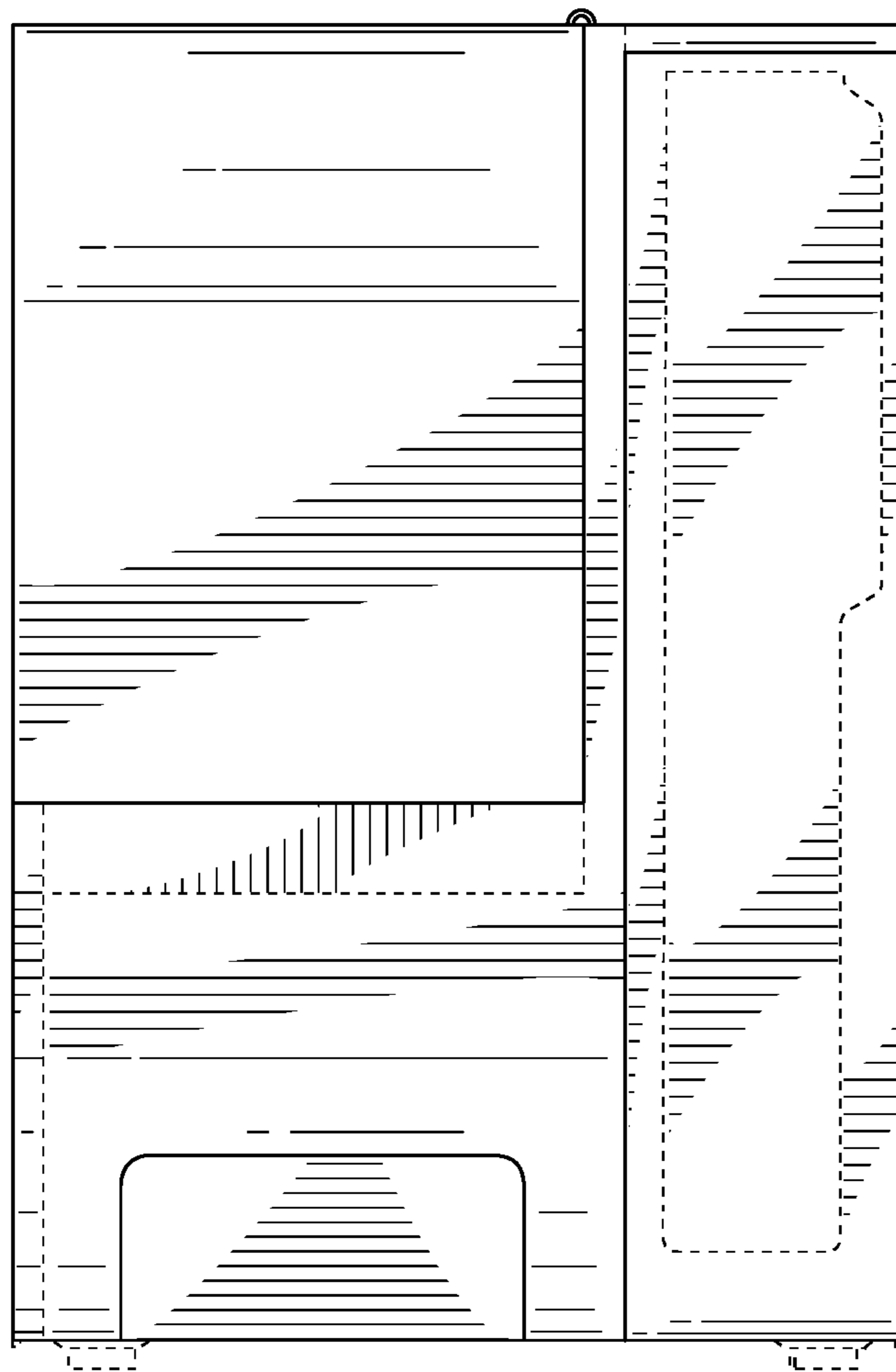


FIG. 13

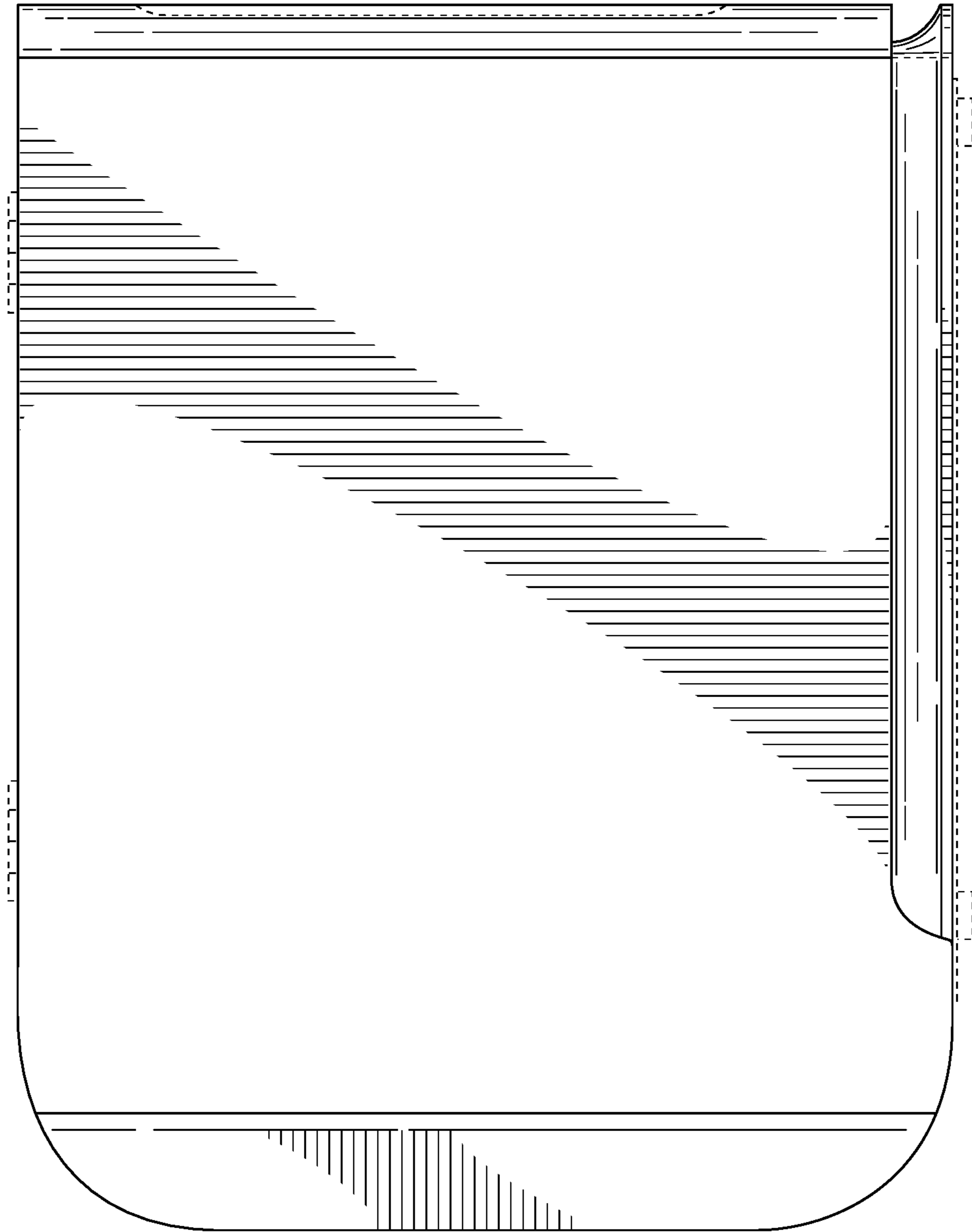


FIG. 14

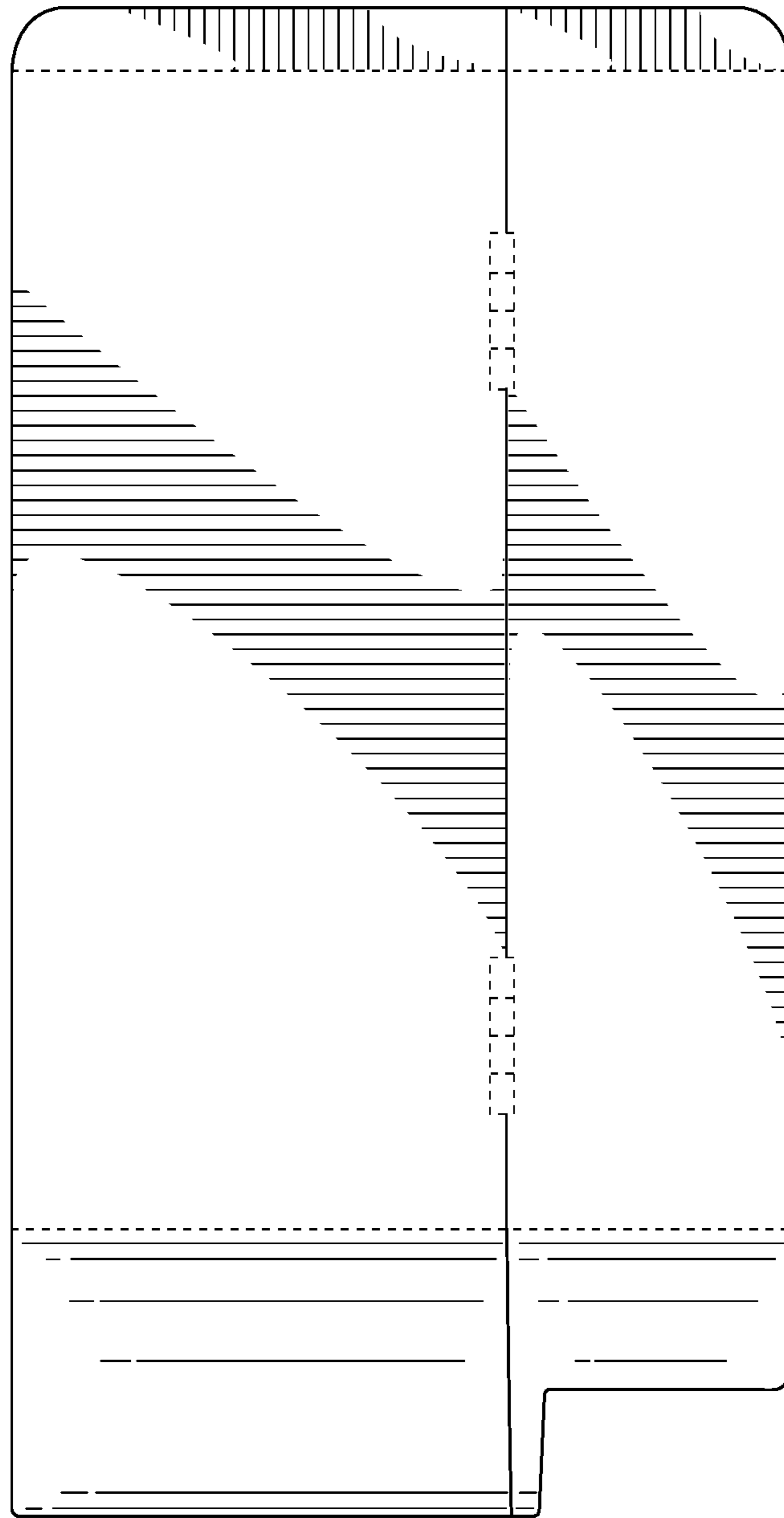


FIG. 15

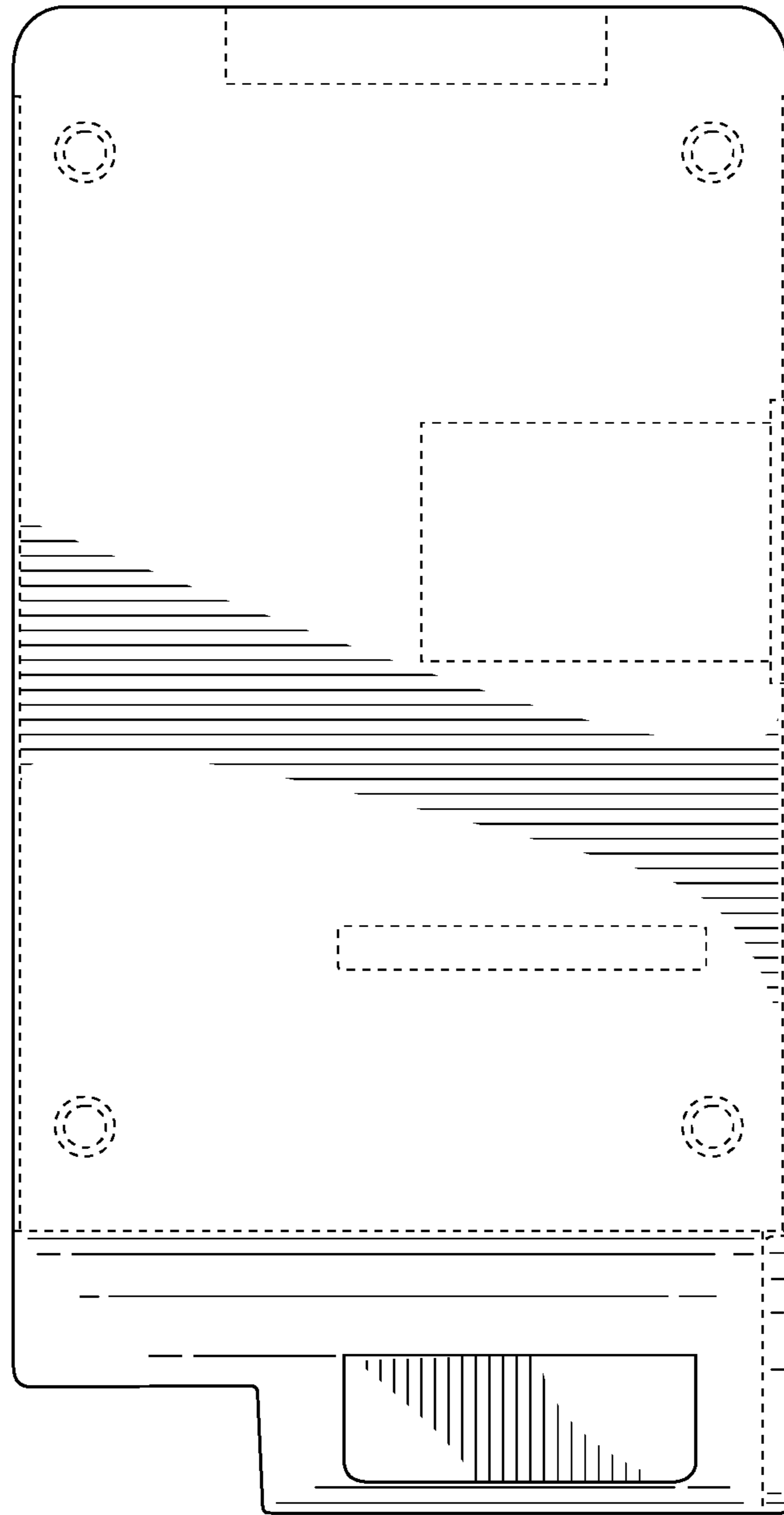


FIG. 16

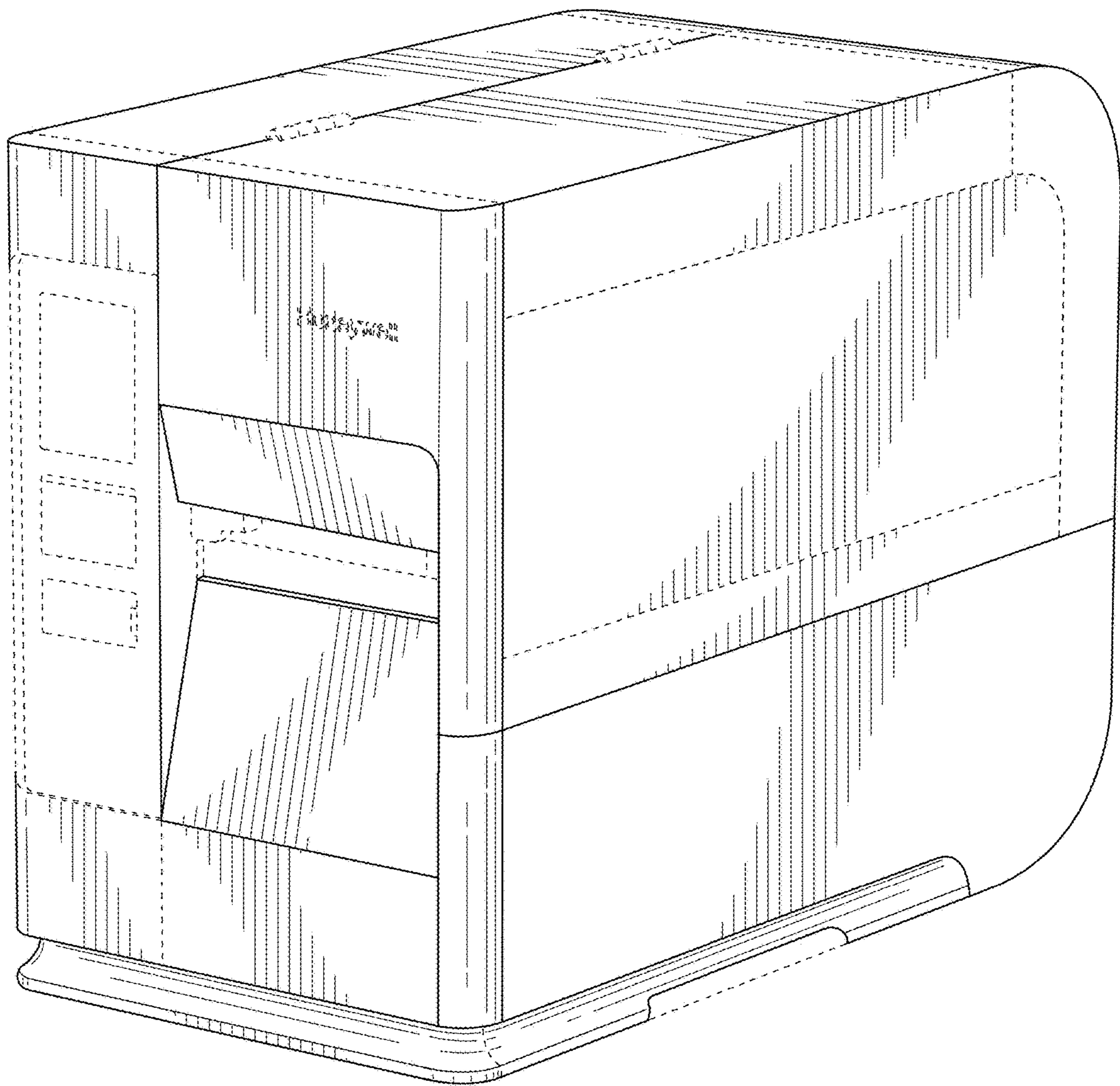


FIG. 17

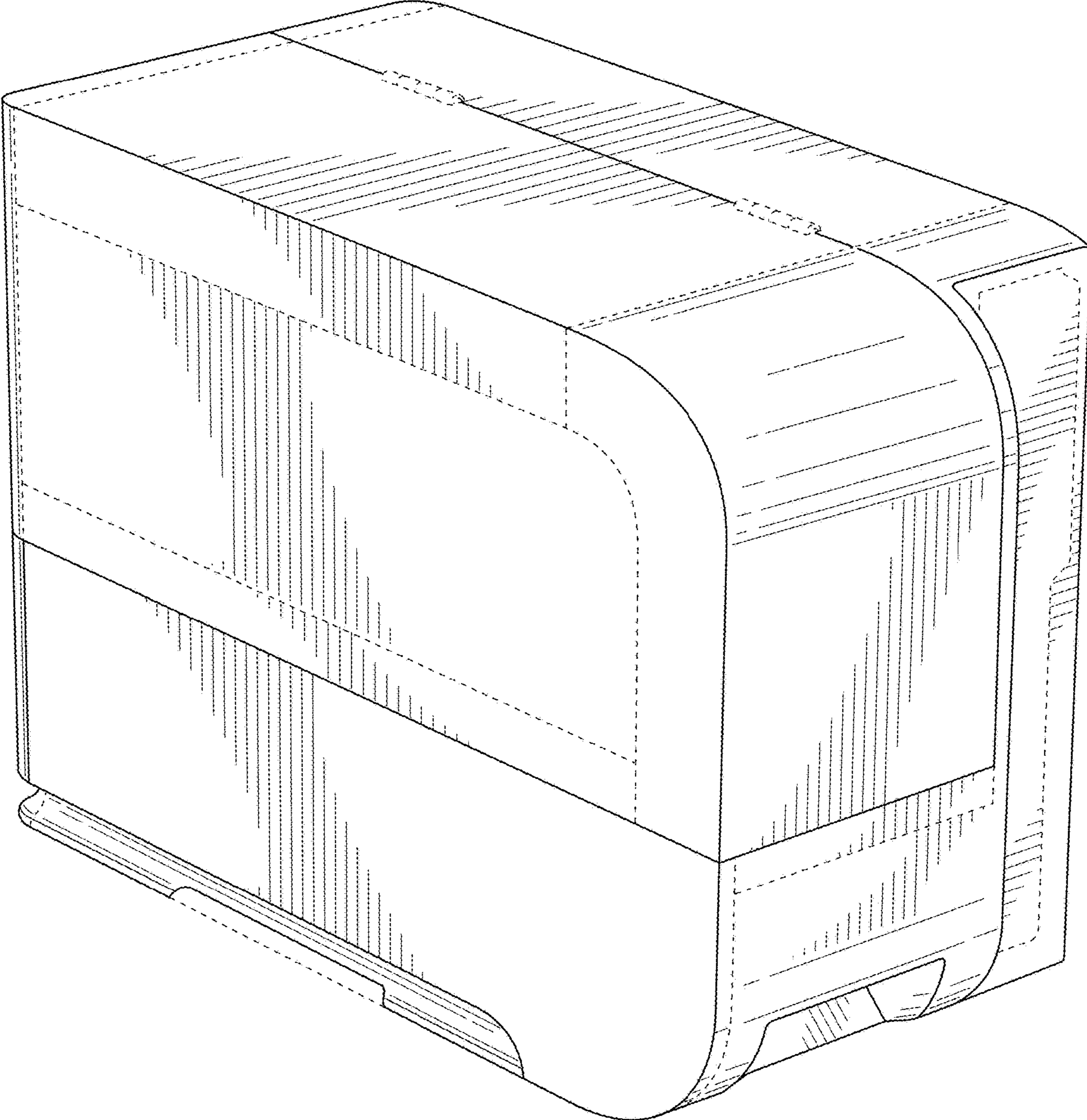


FIG. 18

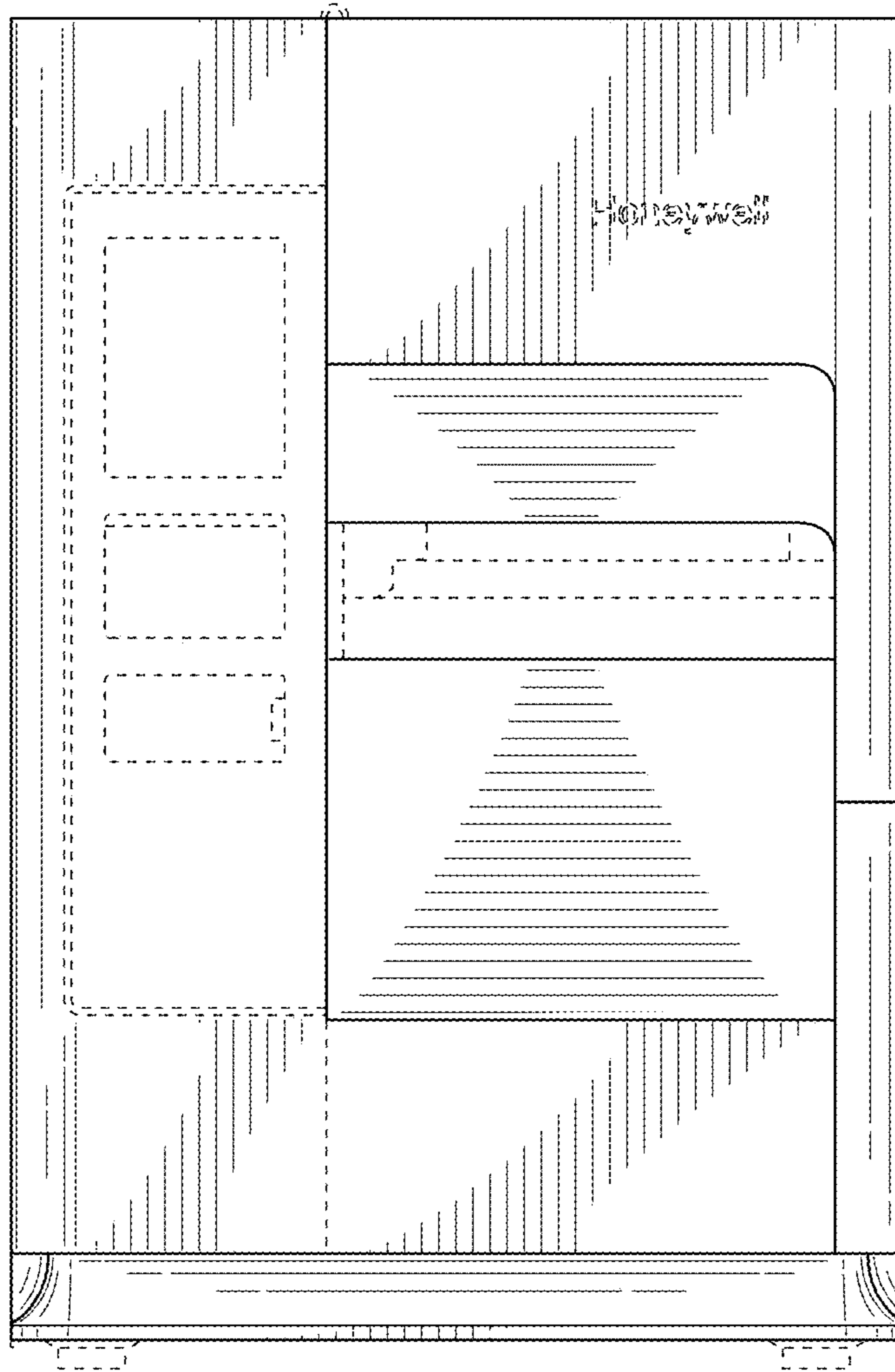


FIG. 19

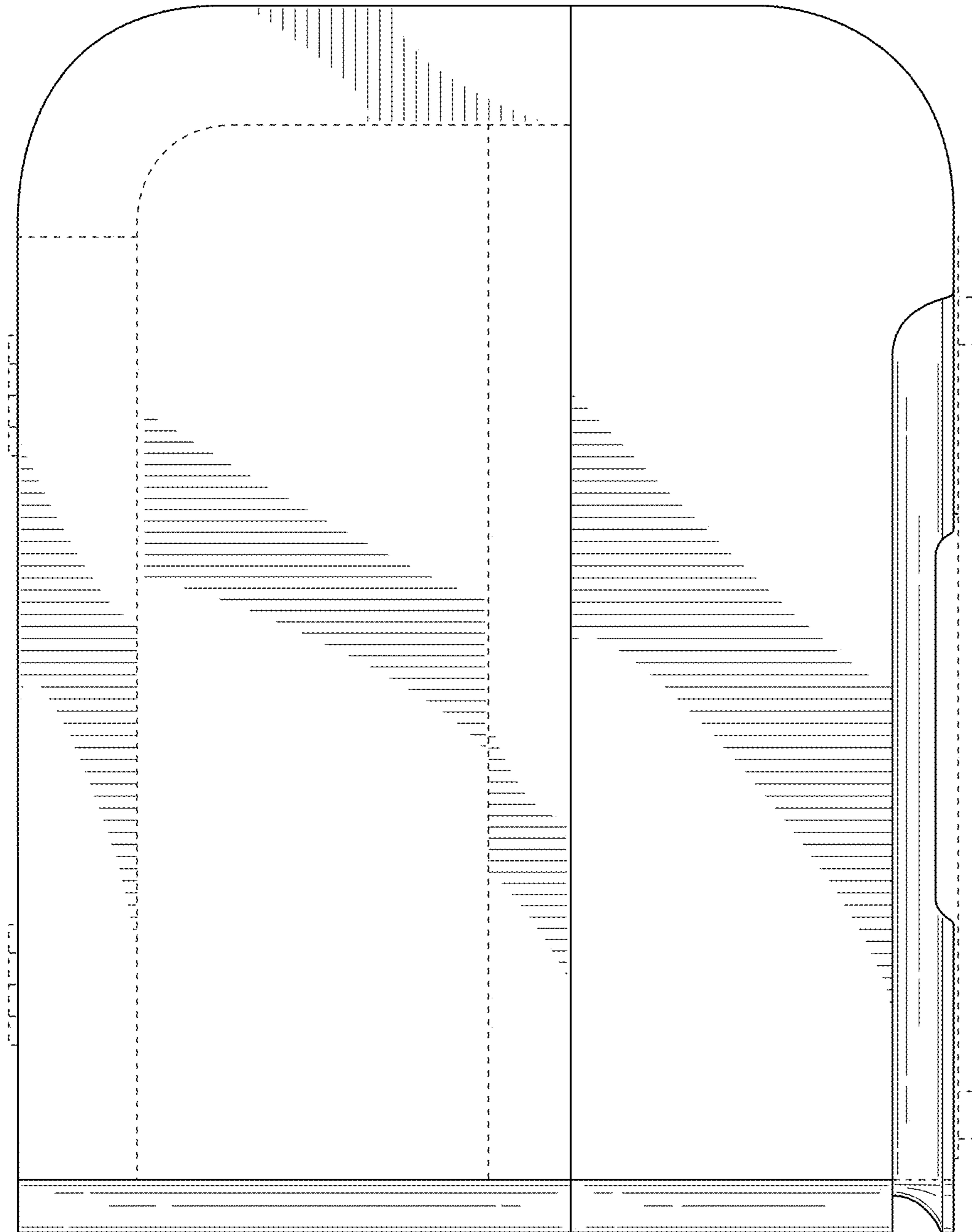


FIG. 20

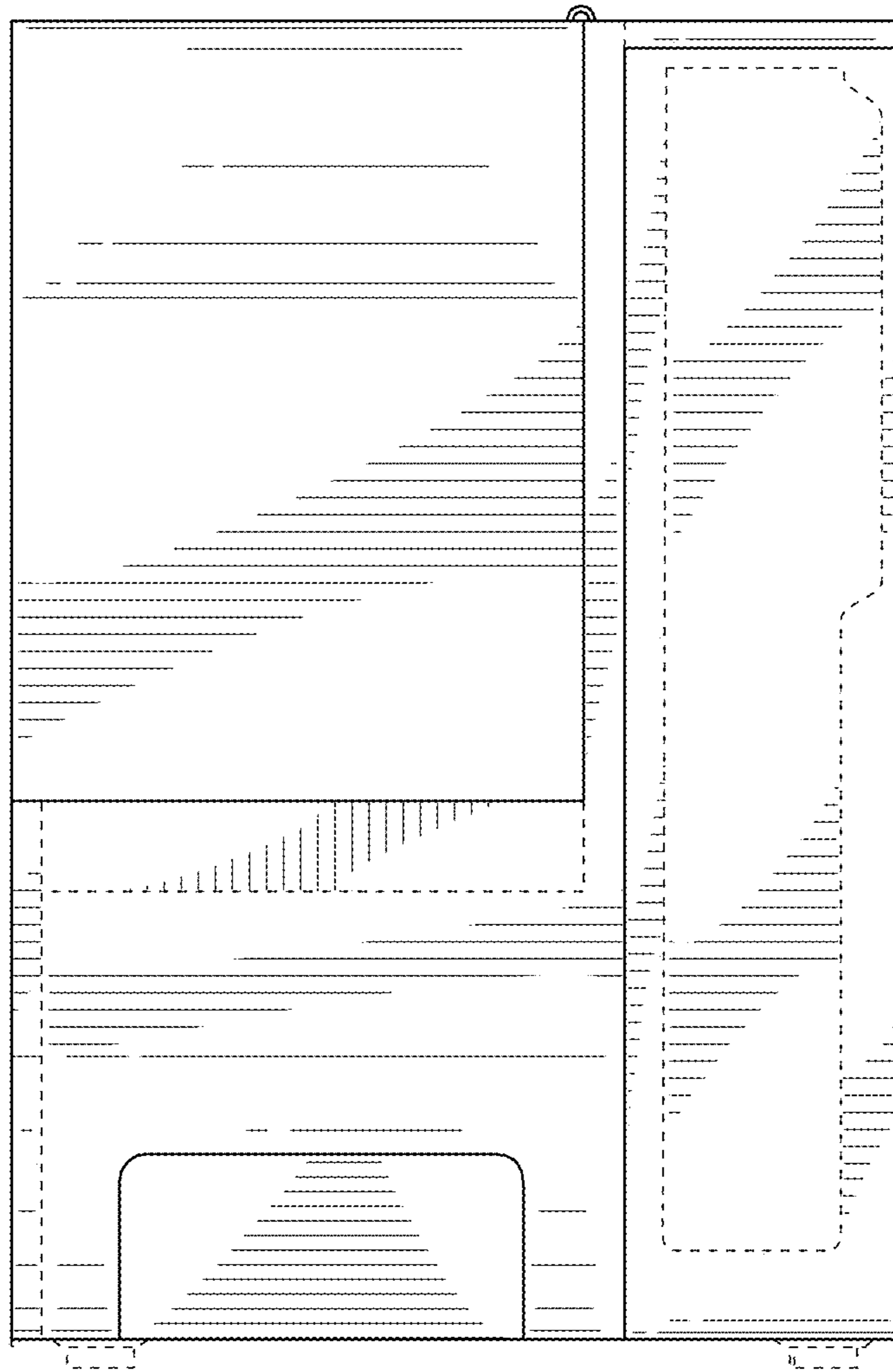


FIG. 21

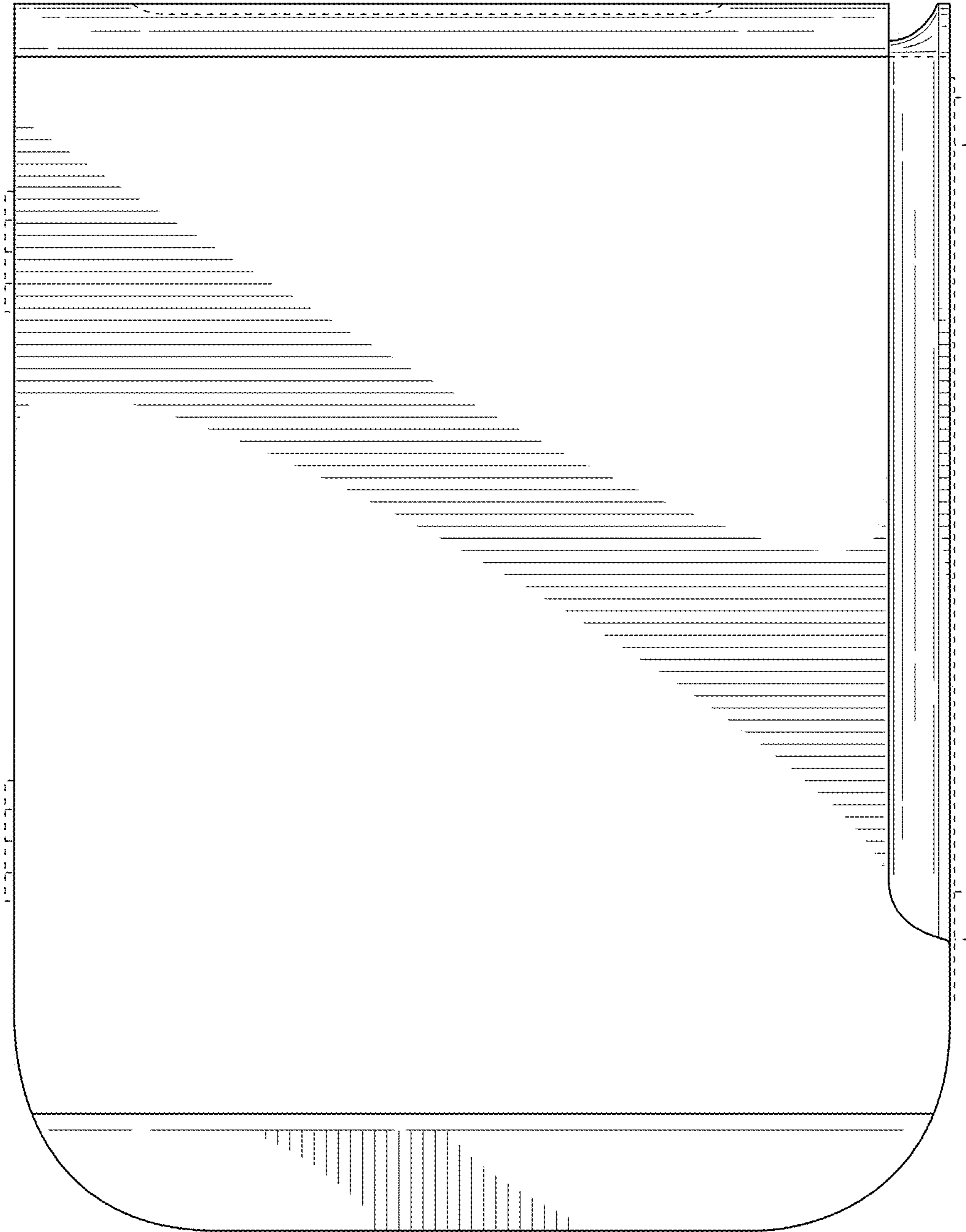


FIG. 22

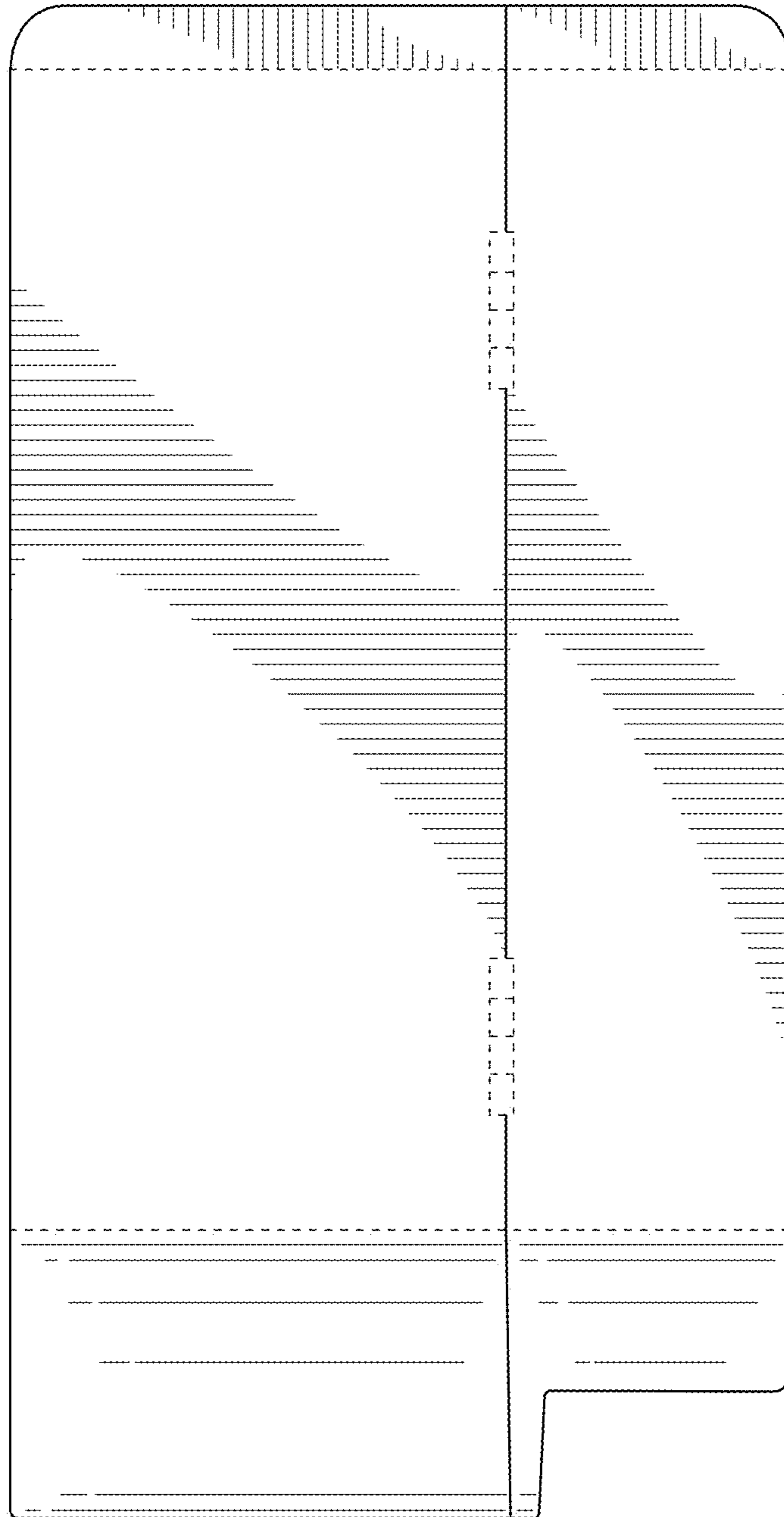


FIG. 23

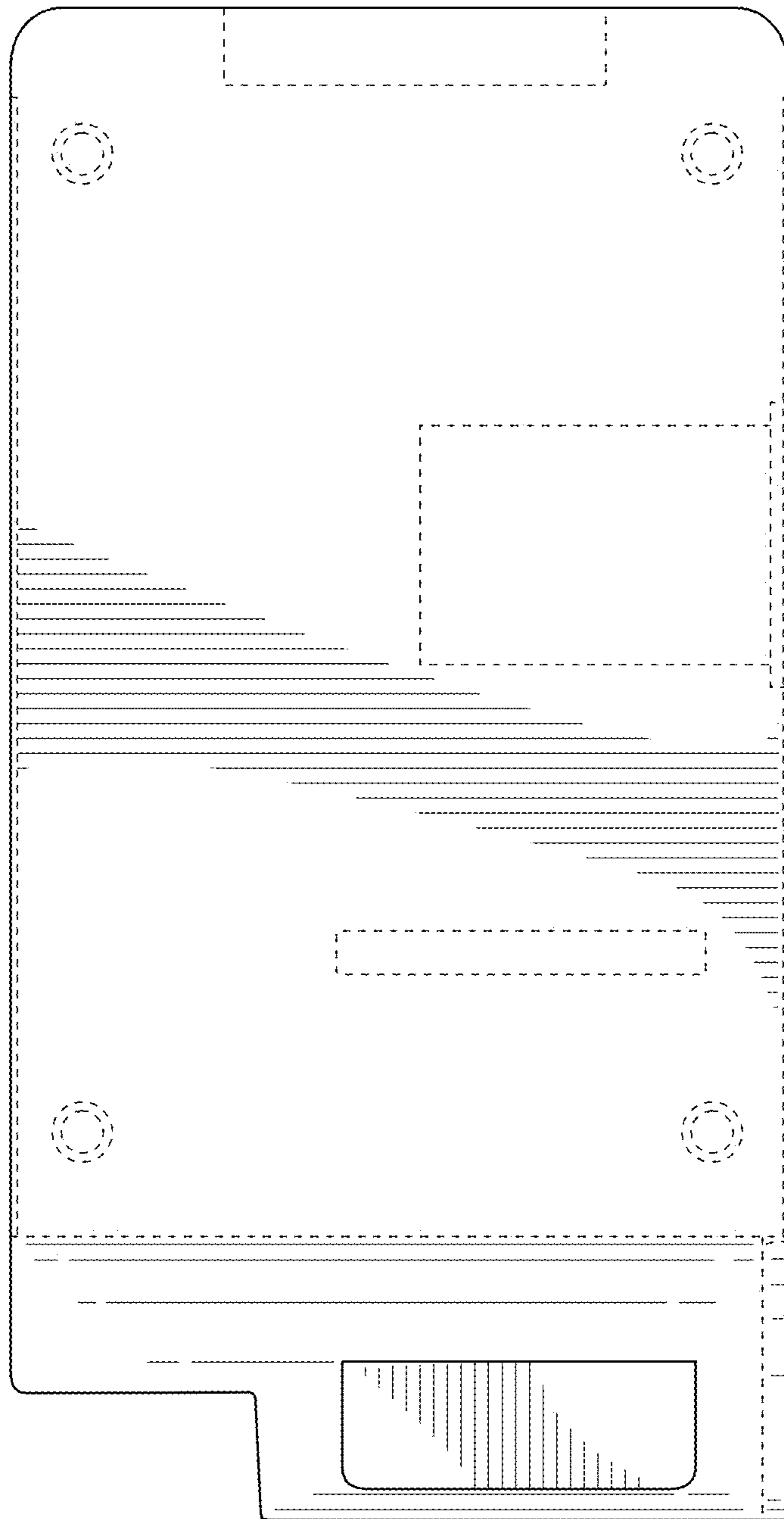


FIG. 24

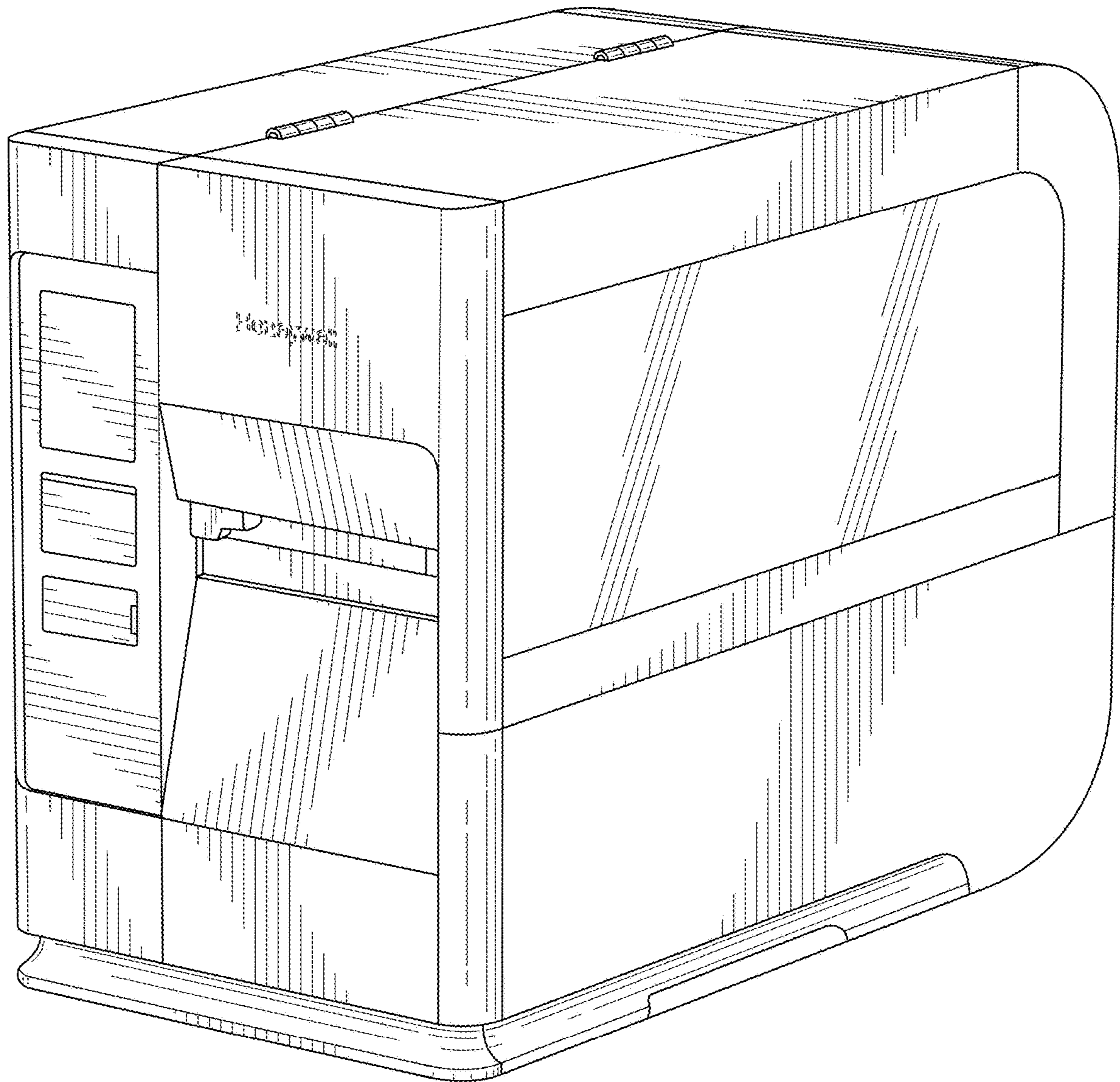


FIG. 25

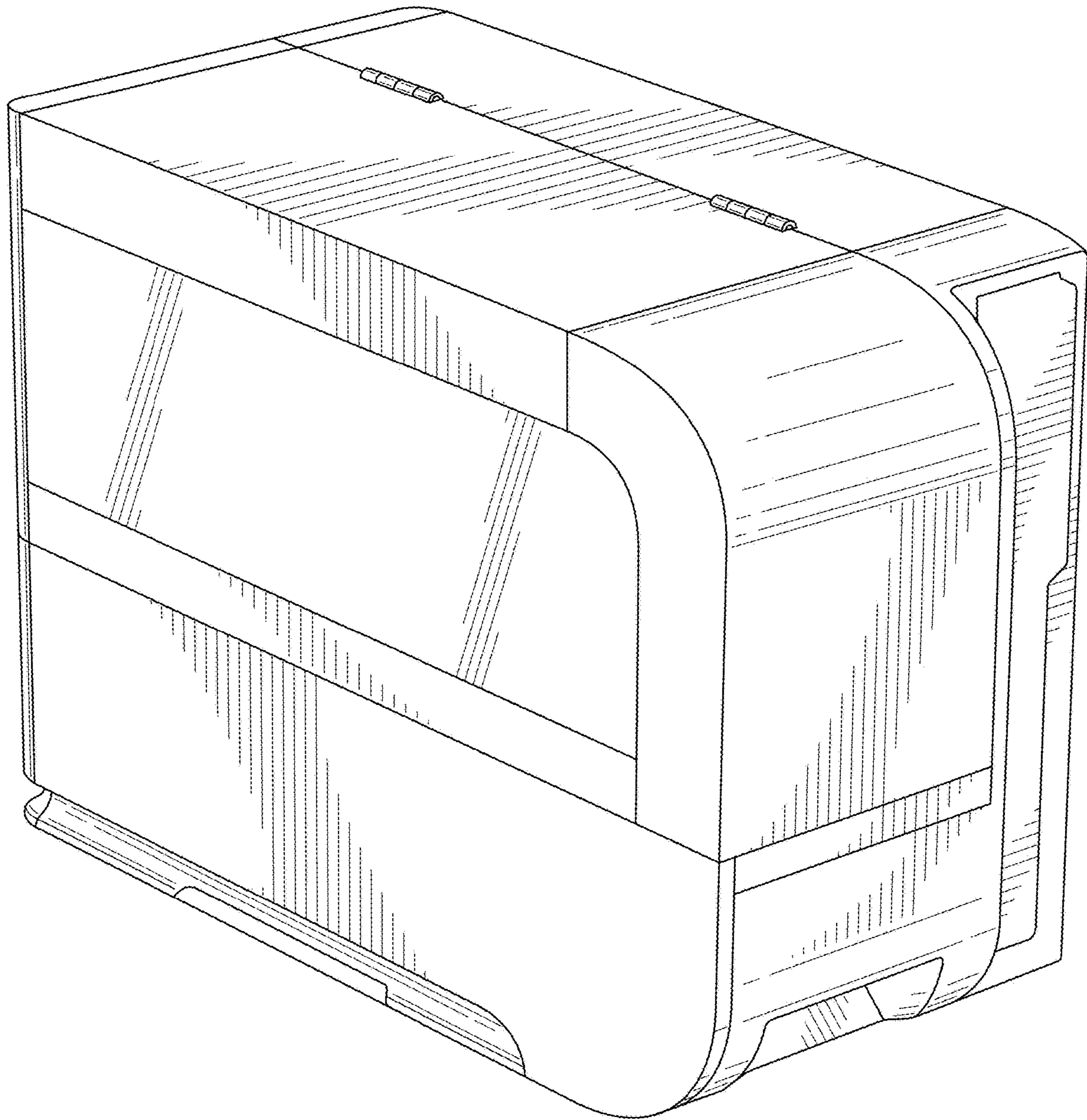


FIG. 26

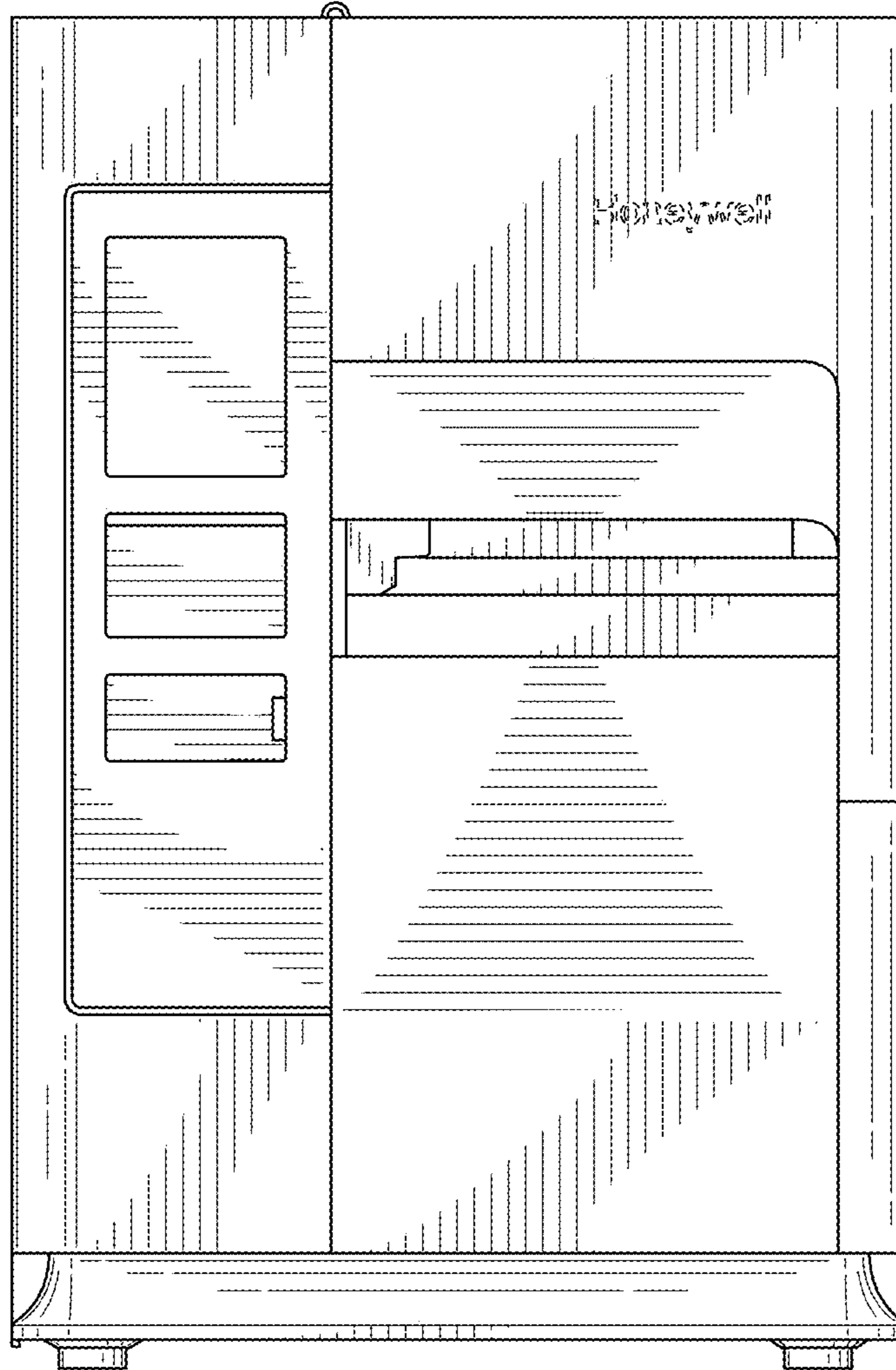


FIG. 27

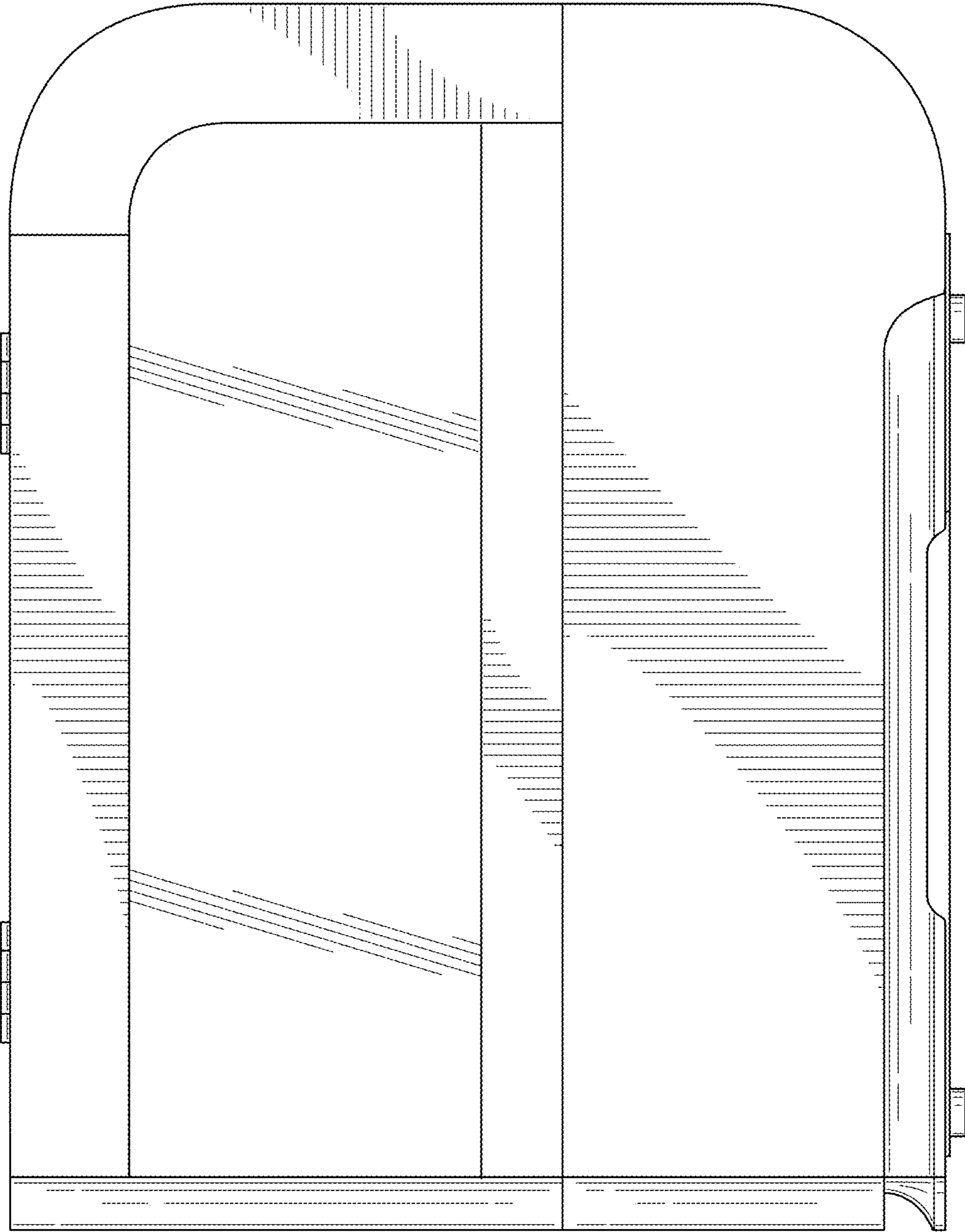


FIG. 28

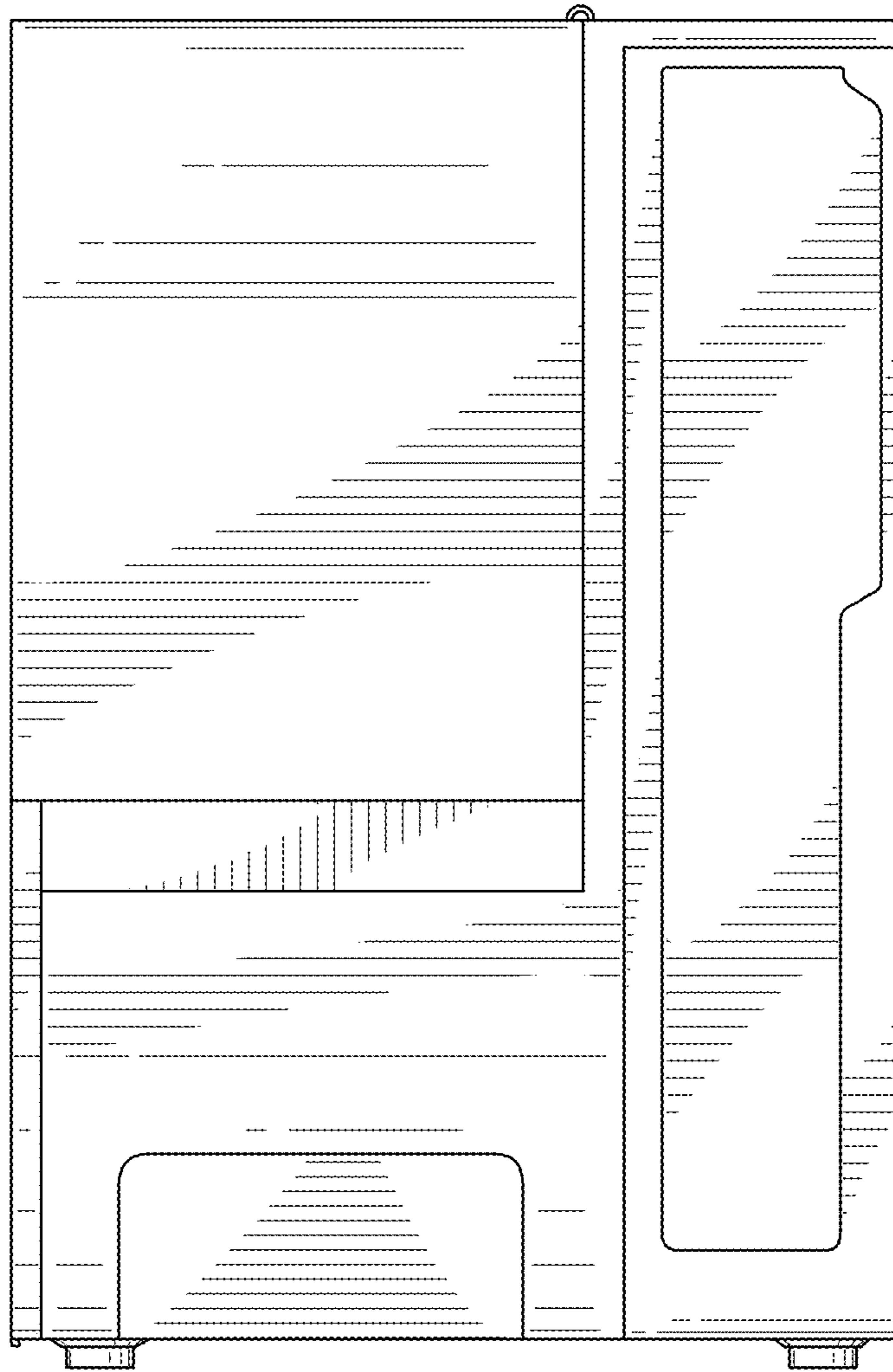


FIG. 29

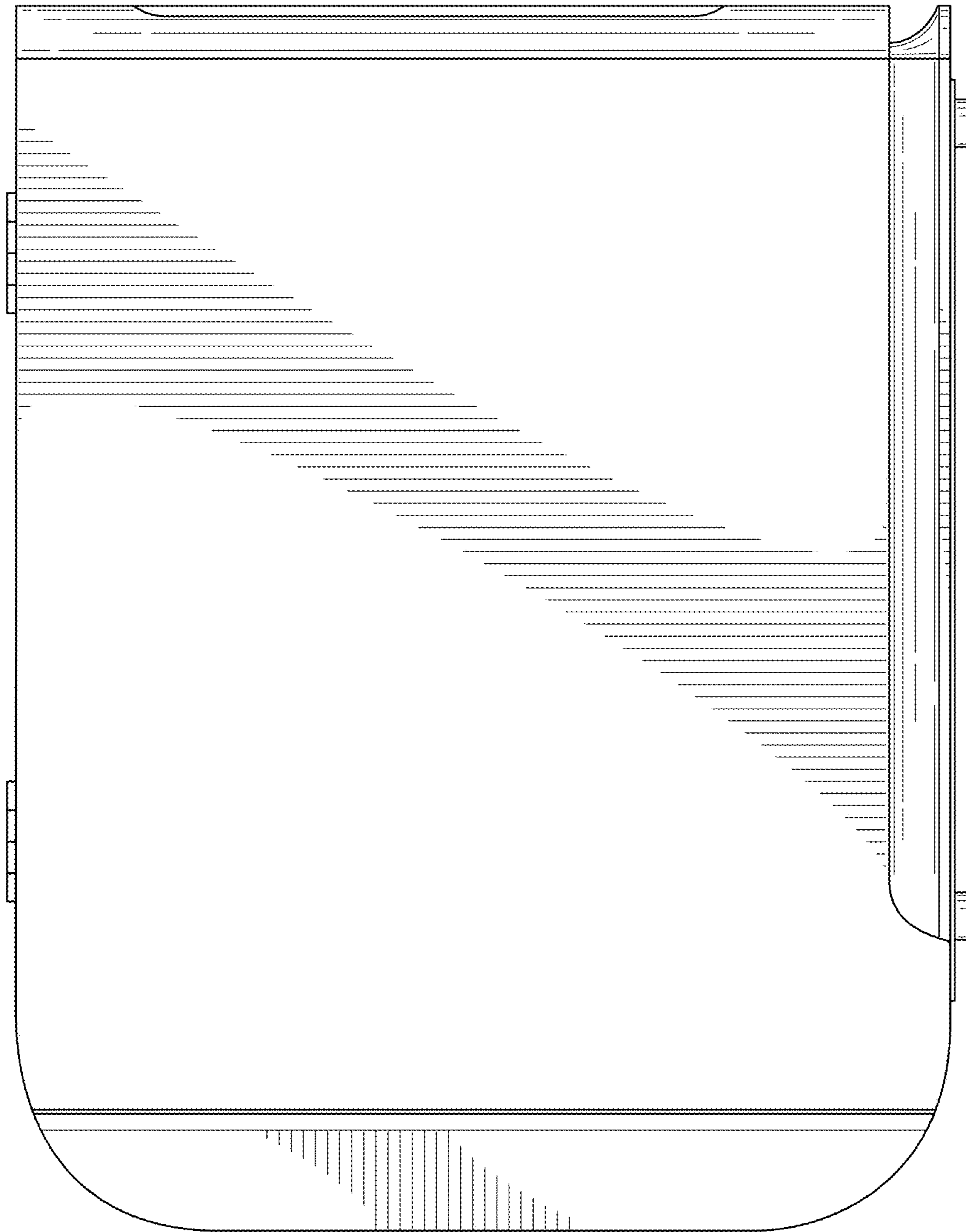


FIG. 30

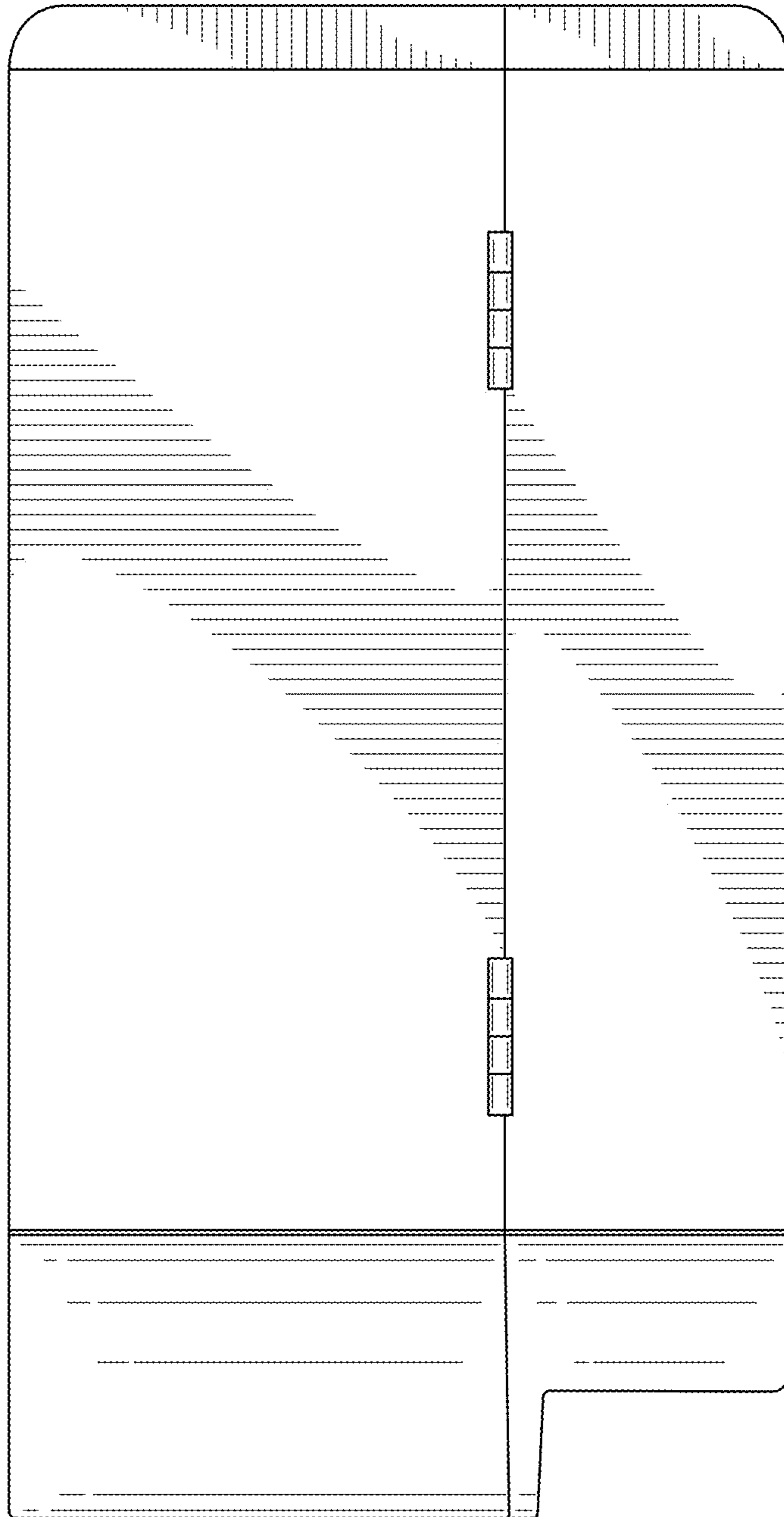


FIG. 31

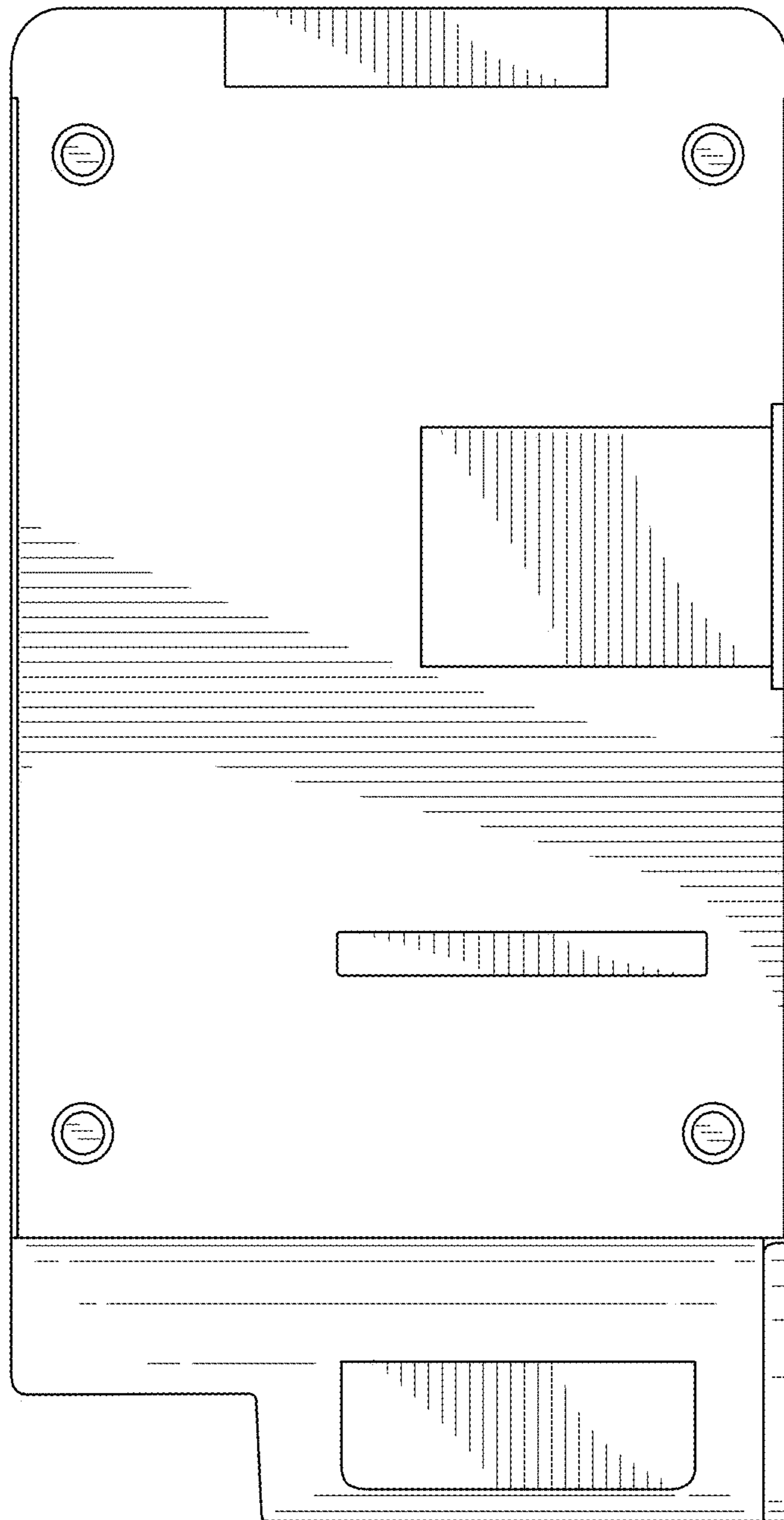


FIG. 32