



US00D951343S

(12) **United States Design Patent** (10) **Patent No.:** **US D951,343 S**
Mitsubishi et al. (45) **Date of Patent:** **** May 10, 2022**

(54) **TONER CARTRIDGE**
(71) Applicant: **SHARP KABUSHIKI KAISHA**, Sakai (JP)

D378,297 S * 3/1997 Ikariya D16/250
D379,194 S 5/1997 Sundquist et al.
D394,083 S 5/1998 Jyoroku
D398,633 S 9/1998 Hashizume et al.
D408,444 S 4/1999 Maeda
(Continued)

(72) Inventors: **Kunihiro Mitsubishi**, Sakai (JP);
Tomoya Usui, Sakai (JP)

FOREIGN PATENT DOCUMENTS

(73) Assignee: **Sharp Kabushiki Kaisha**, Sakai (JP)

GB 9006569166-0001 * 6/2019
GB 9006569166-0002 * 6/2019

(**) Term: **15 Years**

(Continued)

(21) Appl. No.: **29/707,840**

OTHER PUBLICATIONS

(22) Filed: **Oct. 1, 2019**

Sharp MX-2600 Black Laser Toner Cartridge, no date available [online], [retrieved Jul. 16, 2021], Available from Internet, URL: <https://www.cdw.com/product/sharp-mx-2600-black-laser-toner-cartridge/1998764>.*

(30) **Foreign Application Priority Data**

Apr. 3, 2019 (JP) 2019-007270

(Continued)

(51) **LOC (13) Cl.** **16-03**

(52) **U.S. Cl.**
USPC **D18/43**

Primary Examiner — Kevin K Rudzinski
(74) *Attorney, Agent, or Firm* — Nixon & Vanderhye P.C.

(58) **Field of Classification Search**
USPC D15/122, 135–138, 141, 66, 73, 76–78;
D18/53, 59, 50, 14, 19, 54–57, 36–45,
D18/34.4, 34.5, 34.6, 18, 51, 12, 46–49;
D14/301–303, 307, 345, 420–425, 462;
D6/691.4, 675, 708; D13/107, 108
CPC B41J 2/14; B41J 1/54; B41J 3/4073; B41J
3/4078; B41F 17/22; B41F 17/003; B41F
17/38; B28B 1/001; G03G 15/08; G03G
15/0891; G03G 15/0875; G03G
2215/0827; G03G 2215/0855; G03G
21/1842

(57) **CLAIM**

The ornamental design for a toner cartridge, as shown and described.

See application file for complete search history.

DESCRIPTION

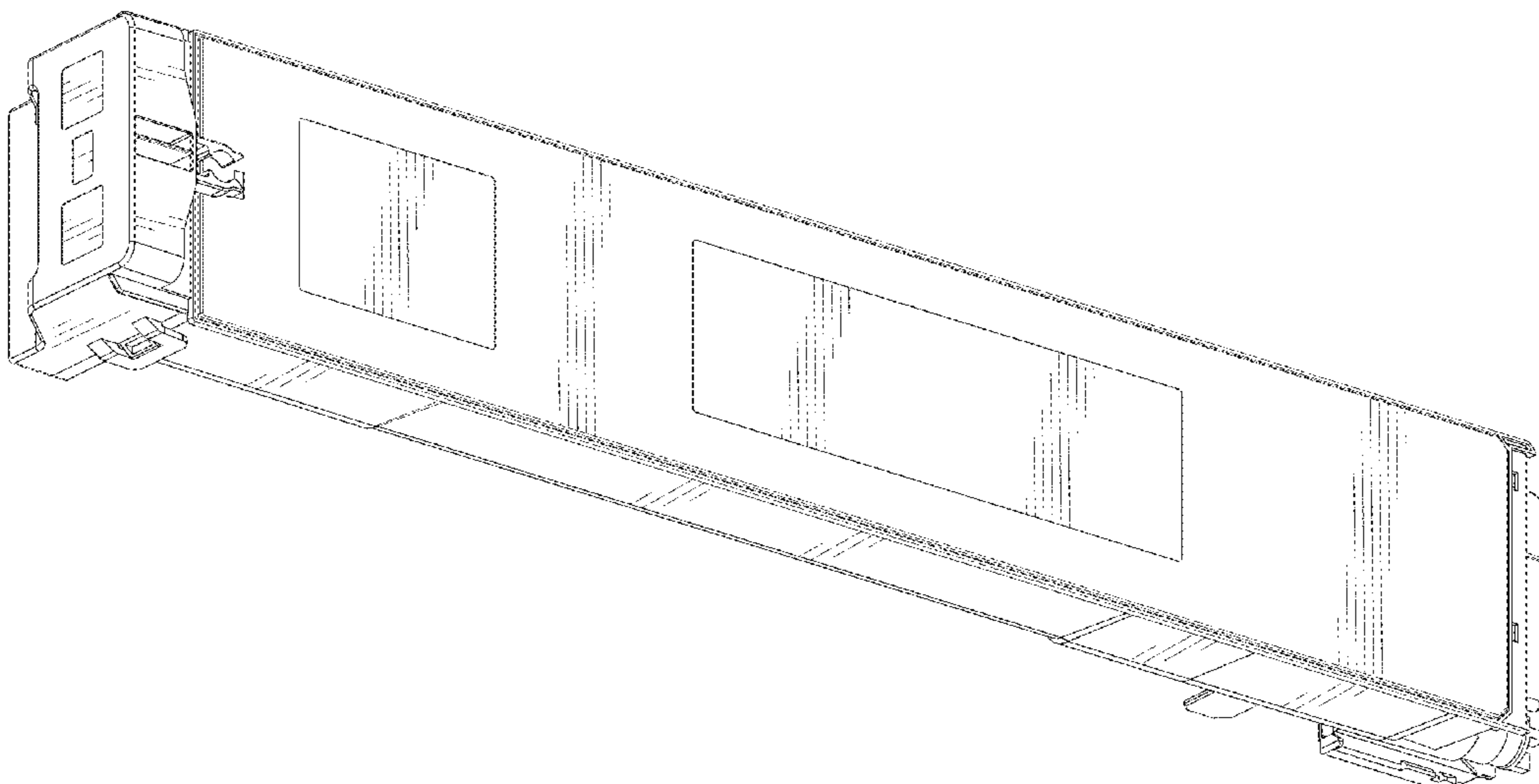
FIG. 1 is a right, top, rear perspective view of a toner cartridge in accordance with our new design;
FIG. 2 is a left, bottom, front perspective view thereof;
FIG. 3 is a right, bottom perspective view thereof;
FIG. 4 is a front elevation view thereof;
FIG. 5 is a rear elevation view thereof;
FIG. 6 is a top plan view thereof;
FIG. 7 is a bottom plan view thereof;
FIG. 8 is a right side elevation view thereof; and,
FIG. 9 is a left side elevation view thereof.
The broken lines shown in the figures depict portions of the toner cartridge that form no part of the claimed design.

(56) **References Cited**

U.S. PATENT DOCUMENTS

D356,107 S 3/1995 Watanabe et al.
D364,418 S 11/1995 Hagiwara et al.
D368,112 S 3/1996 Komaki
D375,519 S 11/1996 Tsumuki

1 Claim, 9 Drawing Sheets



(56)

References Cited

U.S. PATENT DOCUMENTS

D409,652 S 5/1999 Aimoto
 D435,586 S 12/2000 Kunihiro et al.
 D442,214 S 5/2001 Hayashi
 D448,042 S 9/2001 Hale et al.
 D451,125 S 11/2001 Sugiyama et al.
 D451,127 S 11/2001 Katou et al.
 D458,959 S * 6/2002 Tanda D18/43
 D459,387 S * 6/2002 Tanda D18/43
 6,418,290 B1 7/2002 Isomura et al.
 D462,712 S * 9/2002 Katou D18/43
 D463,817 S 10/2002 Kunihiro et al.
 D464,079 S * 10/2002 Funayama D18/43
 D464,369 S * 10/2002 Kunihiro D18/43
 D464,370 S * 10/2002 Kunihiro D18/43
 D464,671 S * 10/2002 Tanda D18/43
 D478,614 S 8/2003 Numagami et al.
 6,608,980 B2 8/2003 Murayama et al.
 D489,400 S 5/2004 Nagashiro
 6,912,365 B2 6/2005 Ueno et al.
 D510,594 S 10/2005 Hirashima
 D522,565 S 6/2006 Sanada et al.
 D524,848 S 7/2006 Murata
 D562,882 S 2/2008 Hatanaka
 D577,380 S * 9/2008 Saito D18/43
 D580,485 S * 11/2008 Park D18/43
 D581,975 S * 12/2008 Park D18/43
 D587,304 S * 2/2009 Murayama D18/43
 D613,331 S * 4/2010 Park D18/56
 D621,870 S 8/2010 Eto
 D624,585 S * 9/2010 Park D18/43
 D625,755 S * 10/2010 Park D18/43
 D655,332 S * 3/2012 Fujii D18/43
 D658,228 S 4/2012 Maeshima
 D679,750 S * 4/2013 Fujii D18/43
 D682,929 S * 5/2013 Aoki D18/56
 D707,752 S 6/2014 Wakimoto
 D709,127 S * 7/2014 Boyd D18/56
 D717,369 S 11/2014 Sato
 D720,396 S 12/2014 Torimoto
 D761,908 S * 7/2016 Takagiwa D18/56
 D762,261 S * 7/2016 Takagiwa D18/56
 9,471,031 B2 * 10/2016 Kusano G03G 21/1623
 9,555,637 B2 * 1/2017 Kumagai B41J 2/1752
 9,798,271 B2 * 10/2017 Ino G03G 15/0898
 D817,387 S * 5/2018 Han D18/43
 D825,652 S 8/2018 Gumbe

D842,926 S * 3/2019 Takagiwa D18/56
 10,345,737 B2 * 7/2019 Taniya G03G 15/0875
 10,474,093 B1 * 11/2019 Amann G03G 21/1676
 D875,173 S * 2/2020 Naito D18/56
 10,656,592 B1 * 5/2020 Amann G03G 21/1853
 10,691,062 B1 * 6/2020 Amann G03G 21/1825
 D898,819 S * 10/2020 Mitsushashi D18/43
 2001/0021320 A1 * 9/2001 Murayama G03G 21/185
 399/117
 2002/0157252 A1 * 10/2002 Silverbrook B41J 2/1639
 29/890.1
 2011/0229213 A1 * 9/2011 Mihara G03G 15/0879
 399/263
 2013/0121721 A1 * 5/2013 Horikawa G03G 15/0877
 399/106
 2014/0037341 A1 * 2/2014 Sato G03G 15/0875
 399/262
 2014/0064796 A1 * 3/2014 Ishii G03G 15/0865
 399/263
 2014/0334850 A1 * 11/2014 Mitsushashi G03G 15/0877
 399/263
 2017/0115605 A1 * 4/2017 Yoshida G03G 21/18
 2019/0391527 A1 * 12/2019 Yamaguchi G03G 21/1803
 2020/0142348 A1 * 5/2020 Amann G03G 21/1676
 2020/0333741 A1 * 10/2020 Ishihara G03G 21/0029

FOREIGN PATENT DOCUMENTS

JP D1352509 * 3/2009
 JP D1365236 6/2009
 JP D1403471 11/2010
 JP D1403471 * 12/2010
 JP D1536791 * 11/2015
 WO WO D087749-002 * 10/2015

OTHER PUBLICATIONS

Sharp MX-5070N Color Toner Cartridges Set, published Oct. 29, 2020 [online], [retrieved Jul. 16, 2021], Available from Internet, URL: <http://web.archive.org/web/20201029024539/https://www.quikshiptoner.com/catalog/sharp-mx-5070n-toner-cartridges-set>.
 Design U.S. Appl. No. 29/707,833, filed Oct. 1, 2019, entitled "Toner Cartridge".
 Design U.S. Appl. No. 29/636,27 filed Feb. 7, 2018, entitled "Toner Cartridge".
 Office Action dated Aug. 18, 2021 in U.S. Appl. No. 29/707,833.

* cited by examiner

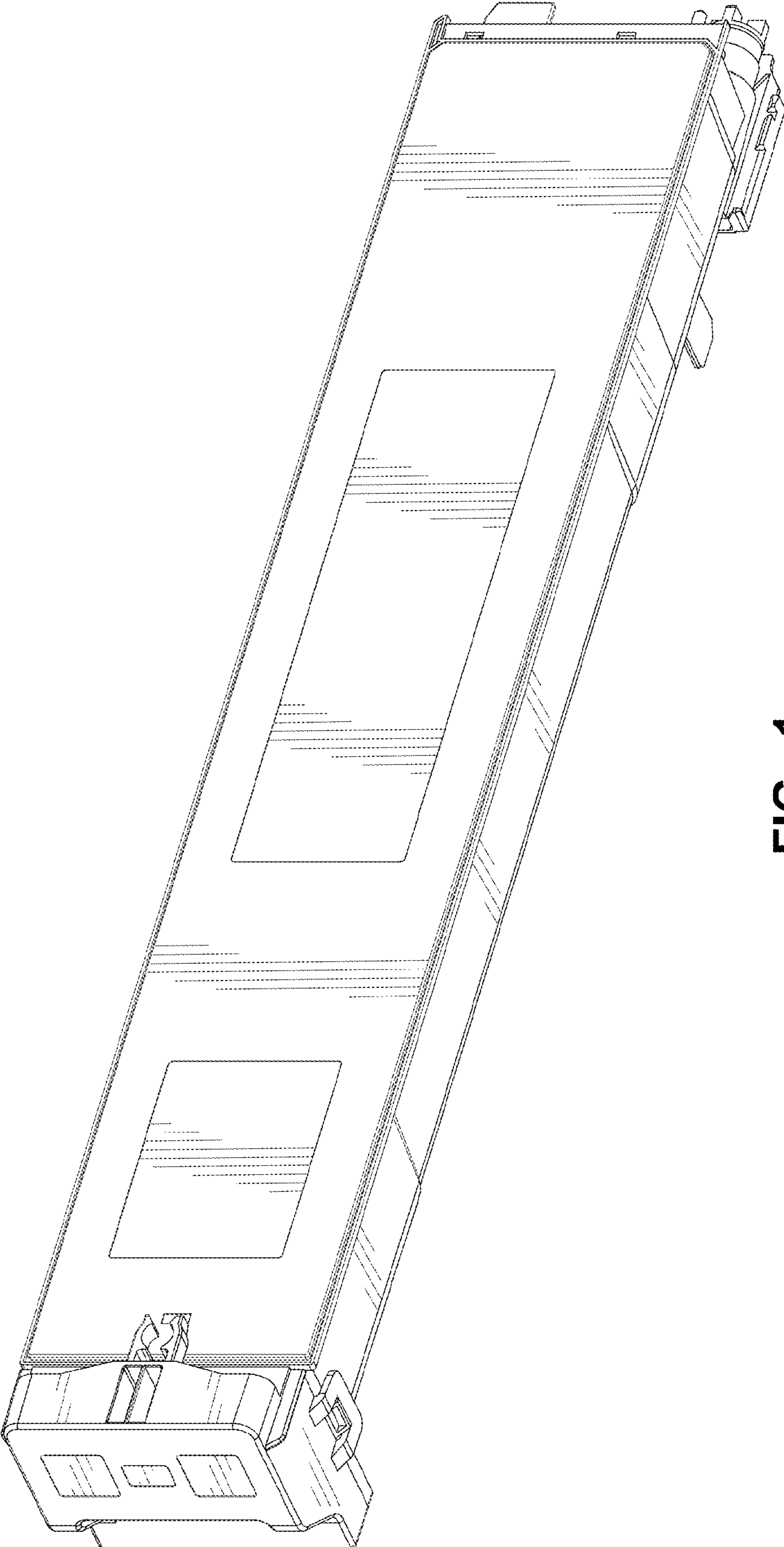


FIG. 1

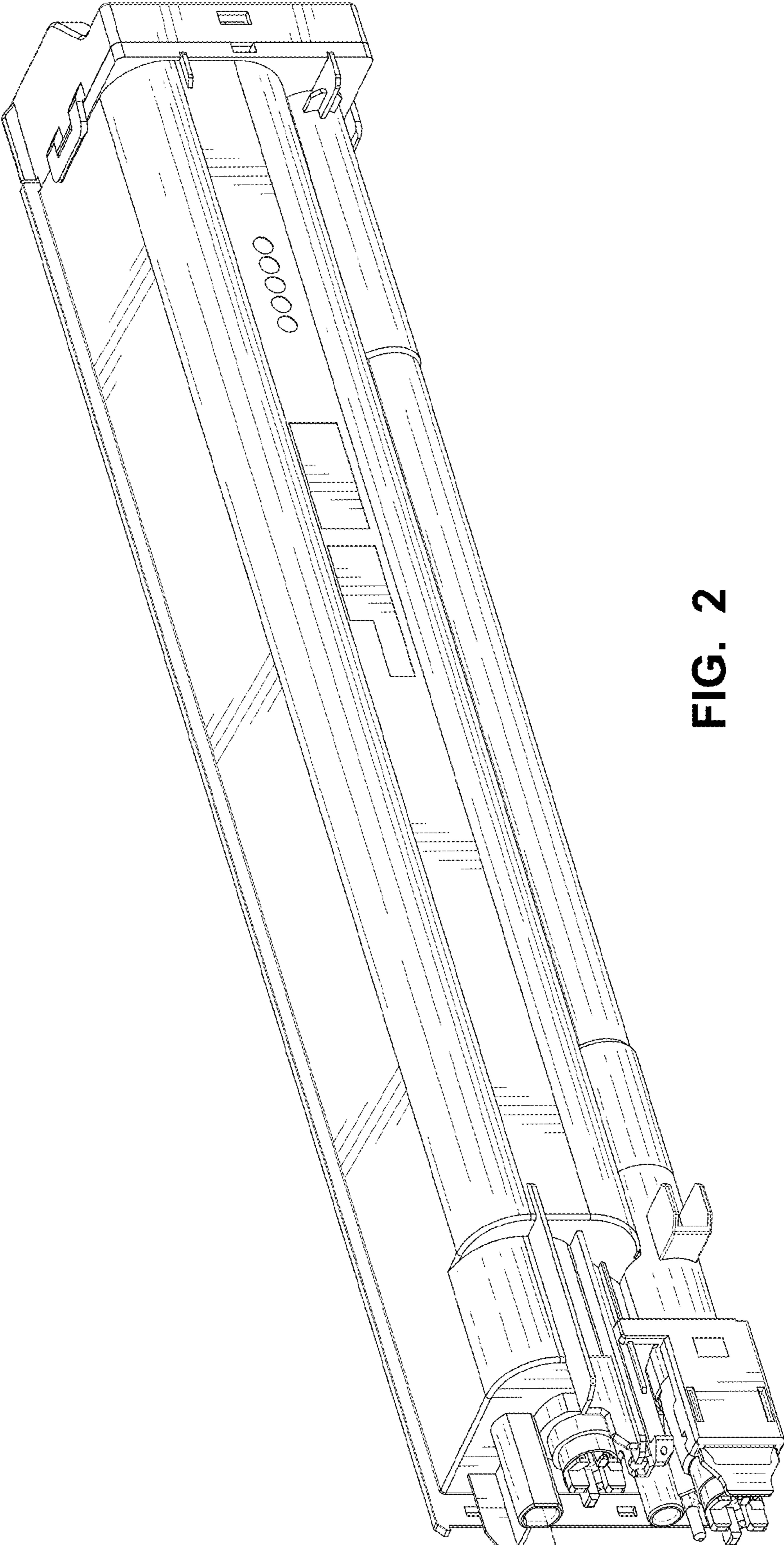


FIG. 2

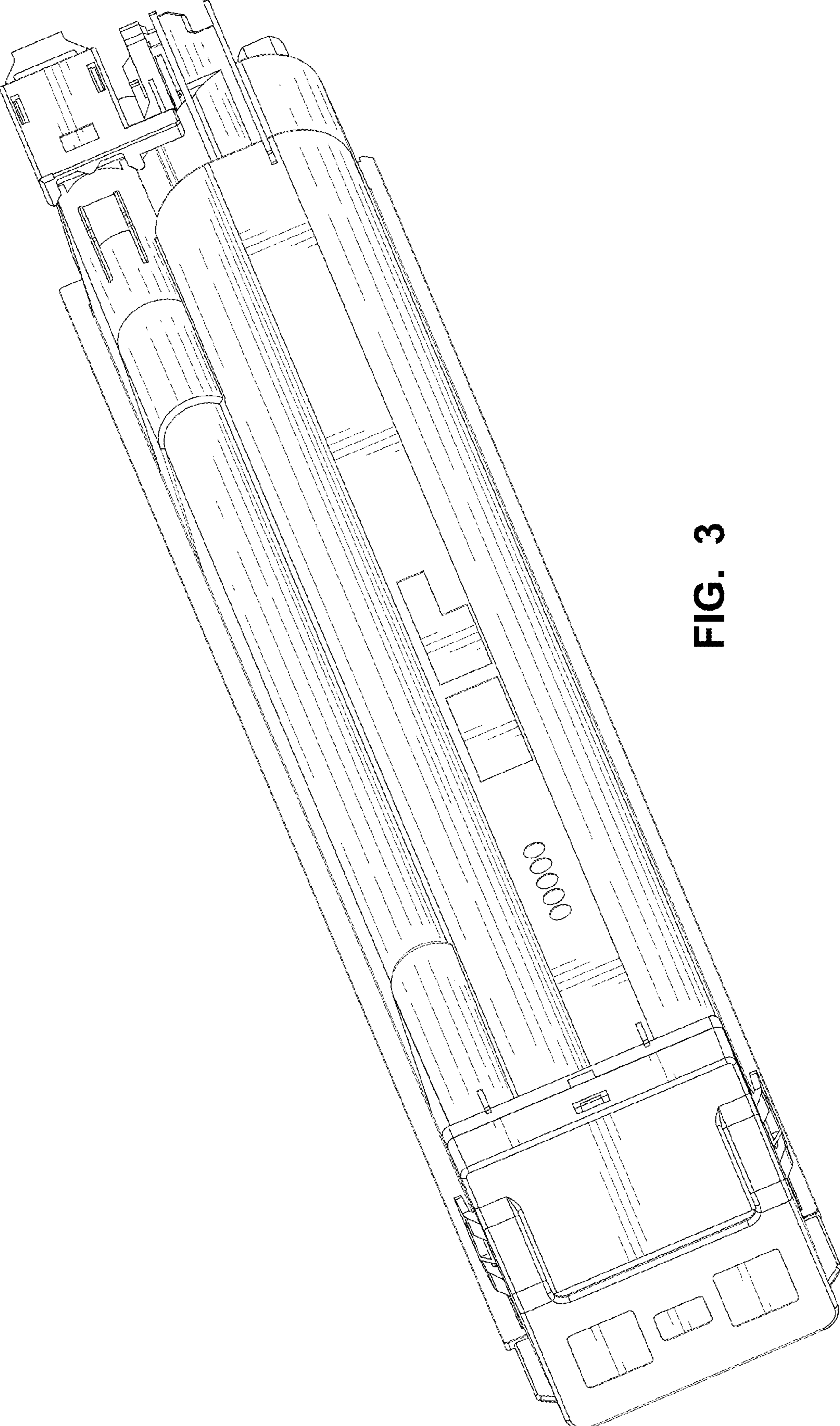


FIG. 3

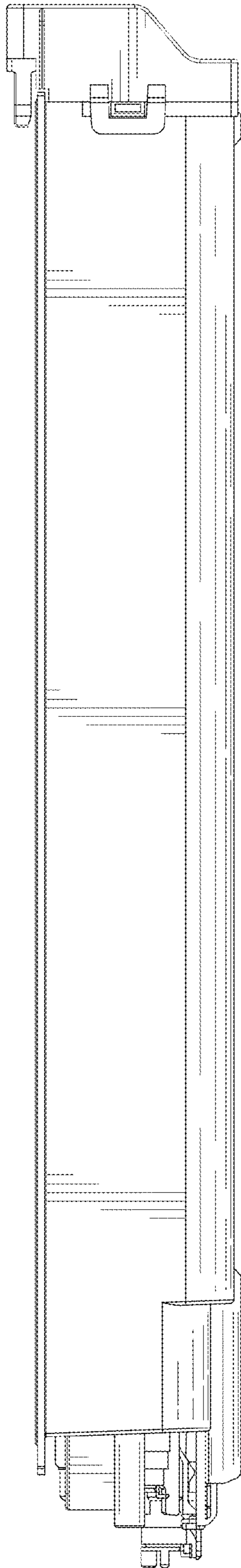


FIG. 4

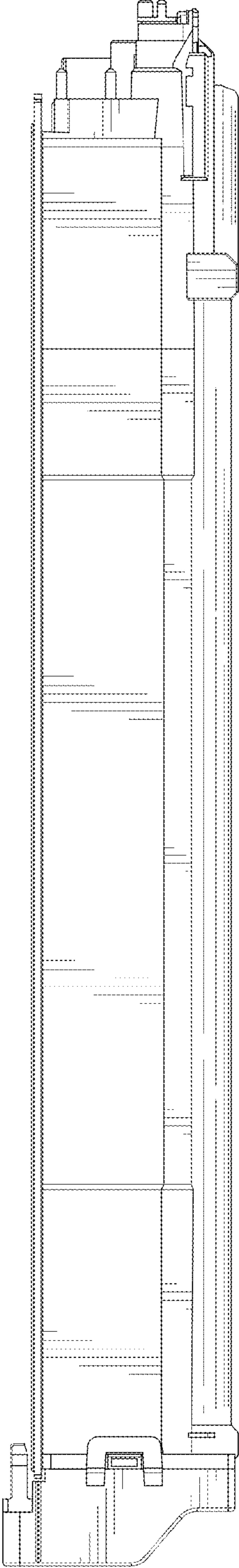


FIG. 5

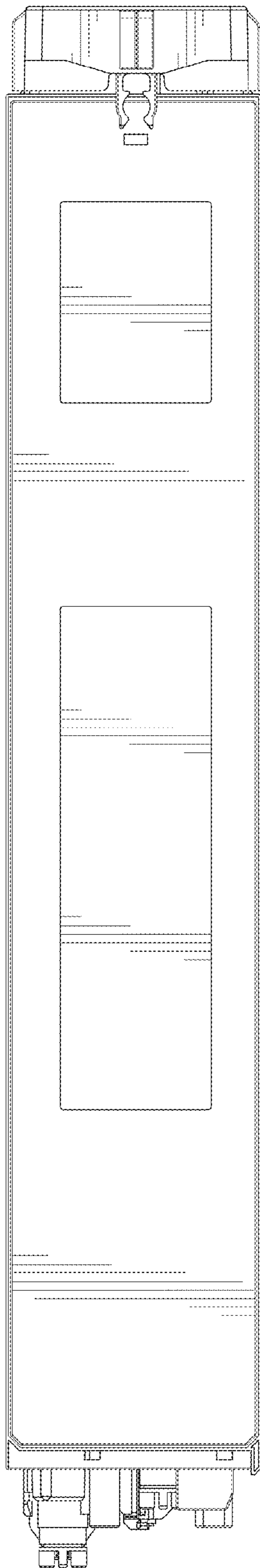


FIG. 6

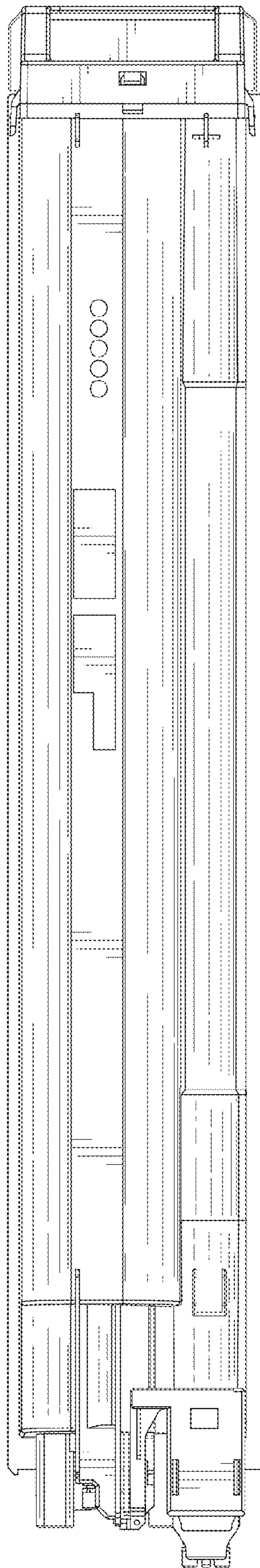


FIG. 7

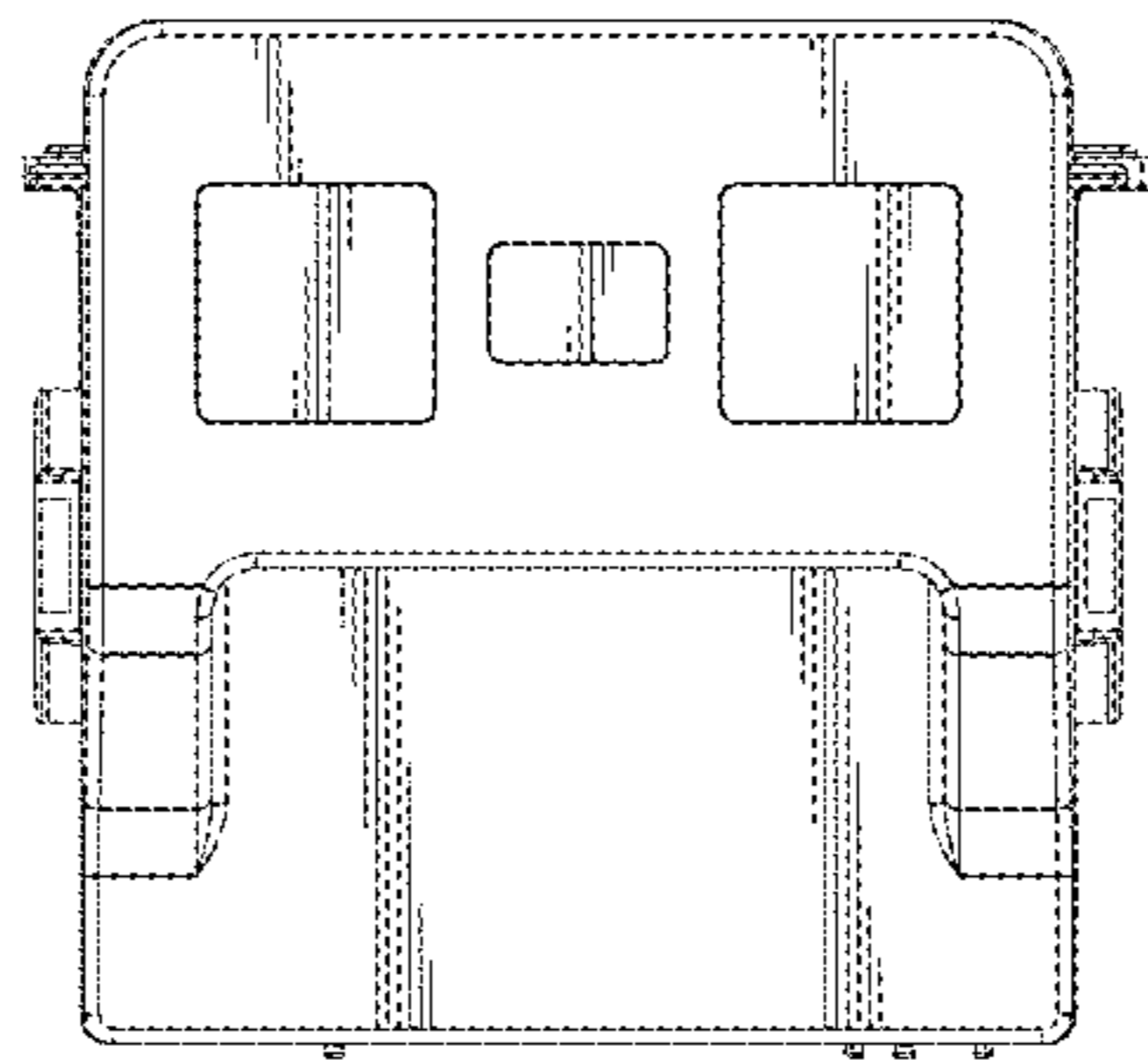


FIG. 8

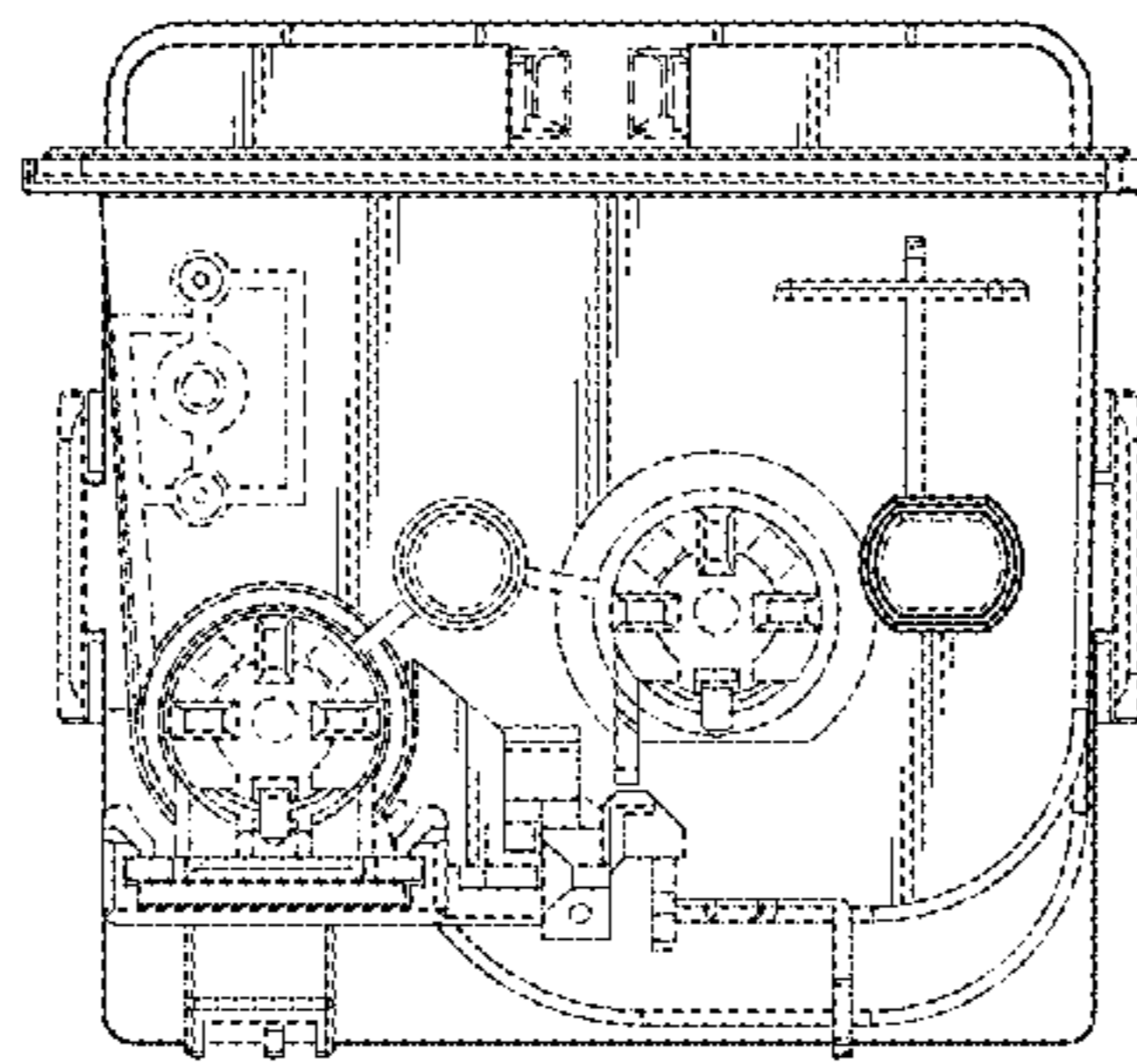


FIG. 9