



US00D951336S

(12) **United States Design Patent**
Zhou

(10) **Patent No.:** **US D951,336 S**
(45) **Date of Patent:** **** May 10, 2022**

(54) **WIND CHIME**

D910,472 S * 2/2021 Xu D10/116.1
D935,667 S * 11/2021 Dai D10/116.1
D938,513 S * 12/2021 Sun D17/10

(71) Applicant: **ANHUI YIKUANG HOUSEHOLD PRODUCTS CO., LTD.**, Chuzhou (CN)

(72) Inventor: **Leilei Zhou**, Chuzhou (CN)

(73) Assignee: **ANHUI YIKUANG HOUSEHOLD PRODUCTS CO., LTD.**, Chuzhou (CN)

(**) Term: **15 Years**

(21) Appl. No.: **29/784,289**

(22) Filed: **May 19, 2021**

(51) **LOC (13) Cl.** **17-02**

(52) **U.S. Cl.**
USPC **D17/10; D10/118.1**

(58) **Field of Classification Search**
USPC D17/10, 99; D10/118, 118.1
CPC G10D 7/00; G10D 7/026; G10D 9/10; G10D 9/11; G10D 13/08; G10K 1/00; G10K 1/06; G10K 1/066

See application file for complete search history.

(56) **References Cited**

U.S. PATENT DOCUMENTS

- 4,854,214 A * 8/1989 Lowe G10K 1/066 362/253
- 4,967,633 A * 11/1990 Jewell, Jr. G10K 1/10 D10/116.1
- 5,309,809 A * 5/1994 Sambuchi G10K 1/07 84/404
- D362,819 S * 10/1995 Stannard D11/141
- D414,283 S * 9/1999 Gibson D10/116.1
- 7,336,157 B2 * 2/2008 Richmond F21V 21/0824 362/86
- 9,024,161 B1 * 5/2015 Strong G10K 1/08 84/403
- D799,357 S 10/2017 Friess
- 10,823,350 B1 * 11/2020 Richmond F21S 9/037

OTHER PUBLICATIONS

Amazon.com. https://www.amazon.com/Plated-House-Genuine-Matashi-Crystals/dp/B00WH2X83K/ref=sr_1_2?crid=ZNY6A1N3548C&keywords=wind+chimes+with+bird+house&qid=1648139120&srefix=wind+chimes+with+%2Caps%2C82&sr=8-2. "Matashi 24K Gold Plated Bird House Decorative Wind Chime" Date Unknown: Viewed Mar. 2022 (Year: 2022).*

* cited by examiner

Primary Examiner — R. Johnson

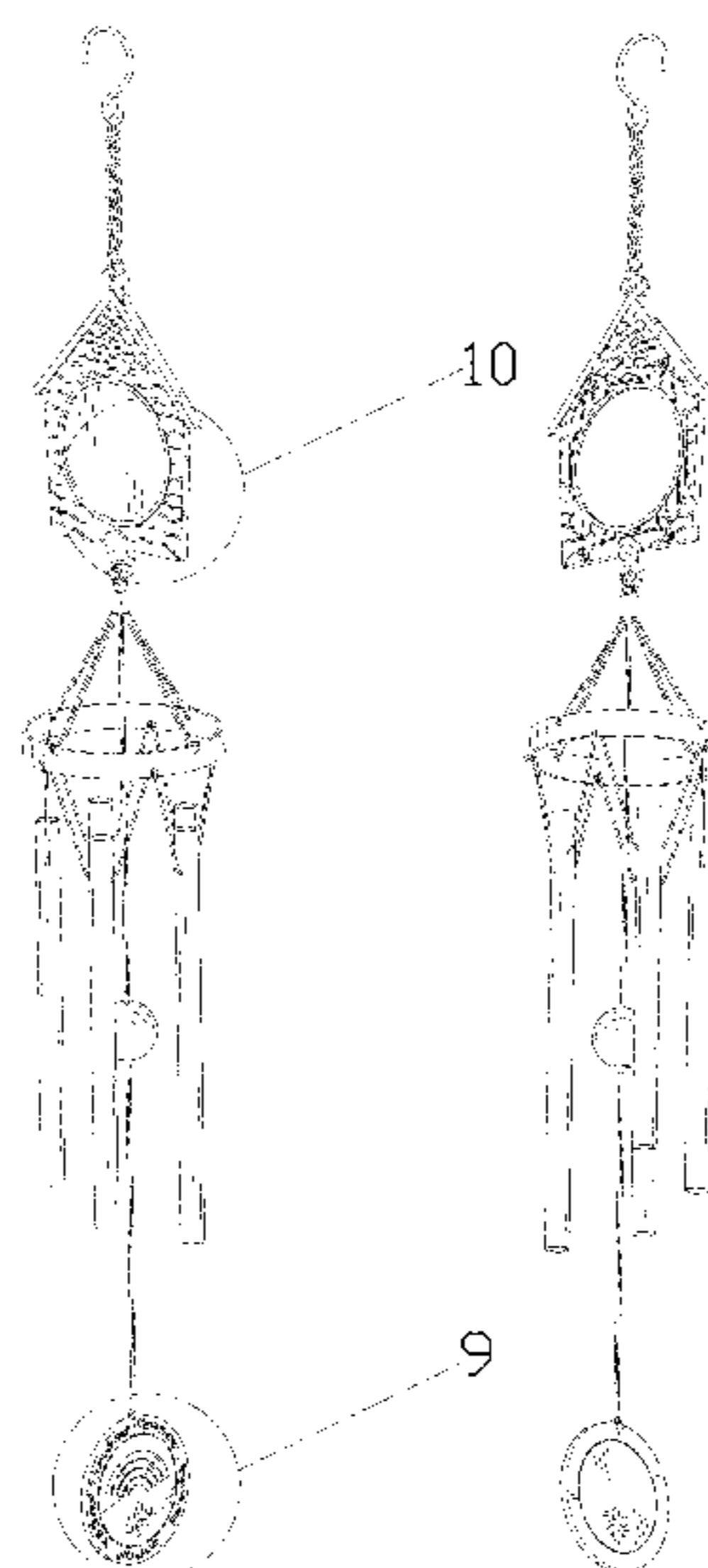
(57) **CLAIM**

The ornamental design for a wind chime, as shown and described.

DESCRIPTION

FIG. 1 is a perspective view of a wind chime showing my new design;
FIG. 2 is another perspective view thereof;
FIG. 3 is a front elevational view thereof;
FIG. 4 is a rear elevational view thereof;
FIG. 5 is a left side elevational view thereof;
FIG. 6 is a right side elevational view thereof;
FIG. 7 is a top plan view thereof;
FIG. 8 is a bottom plan view thereof;
FIG. 9 is an enlarged, detail view of the portion taken at line-9 shown in FIG. 1; and,
FIG. 10 is an enlarged, detail view of the portion taken at line-10 shown in FIG. 1.
The broken lines in the drawings depict portions of the wind chime that form no part of the claimed design.

1 Claim, 10 Drawing Sheets



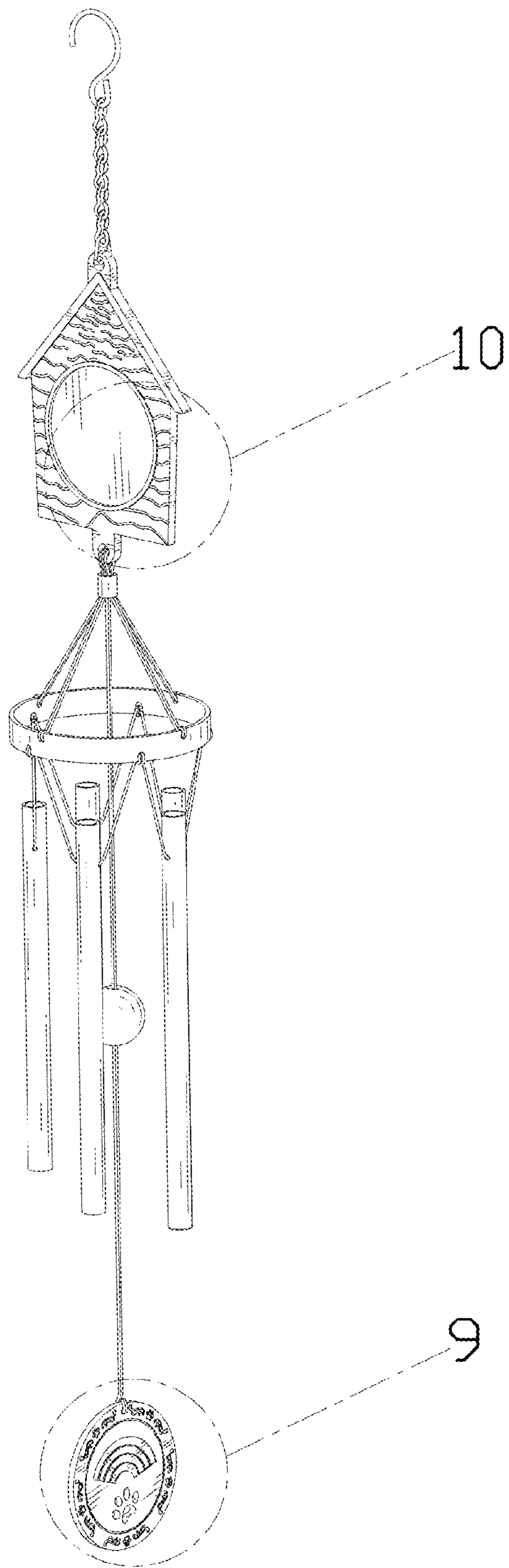


FIG. 1

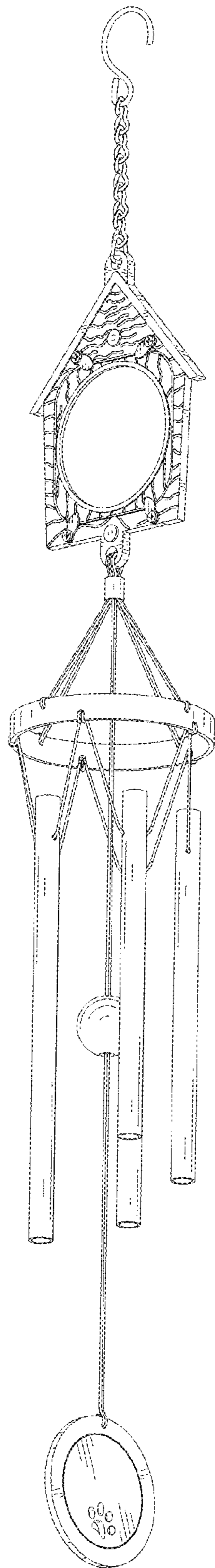


FIG. 2

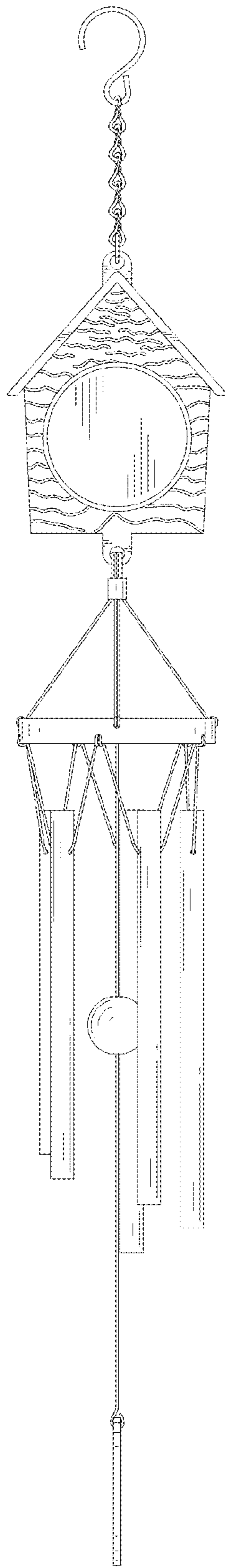


FIG. 3

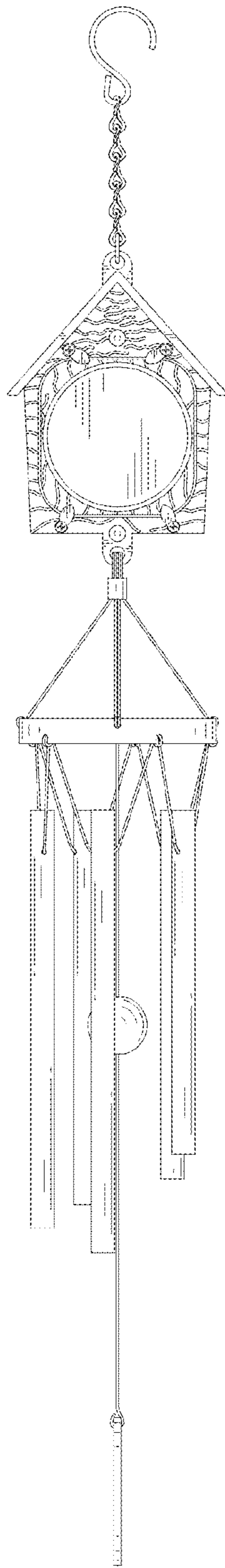


FIG. 4

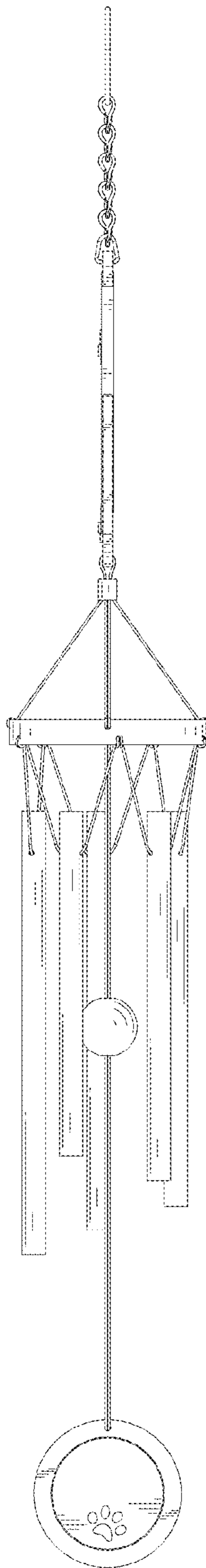


FIG. 5

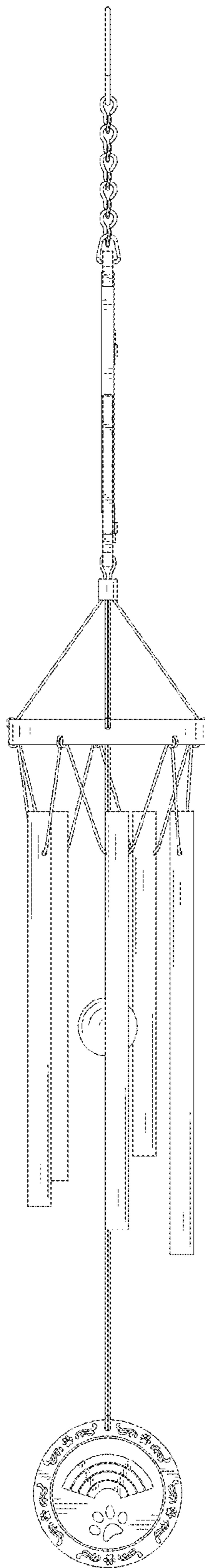


FIG. 6

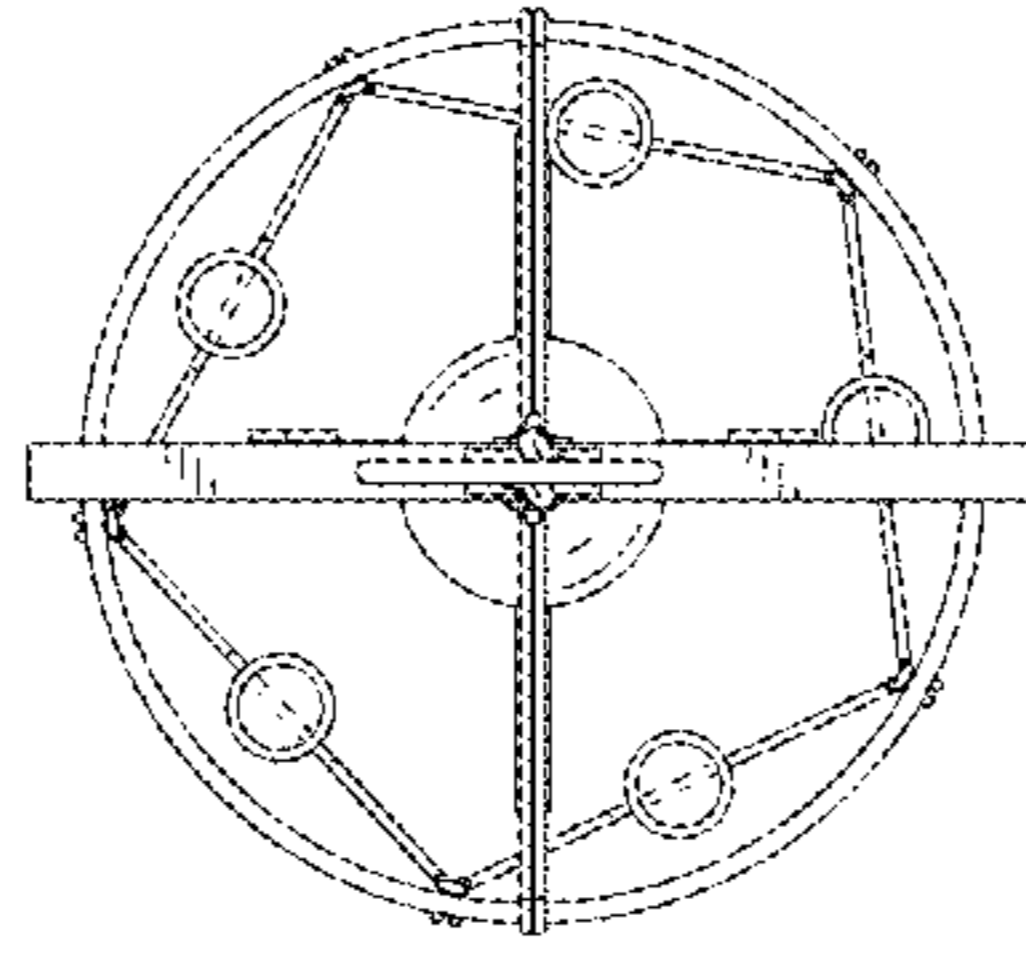


FIG. 7

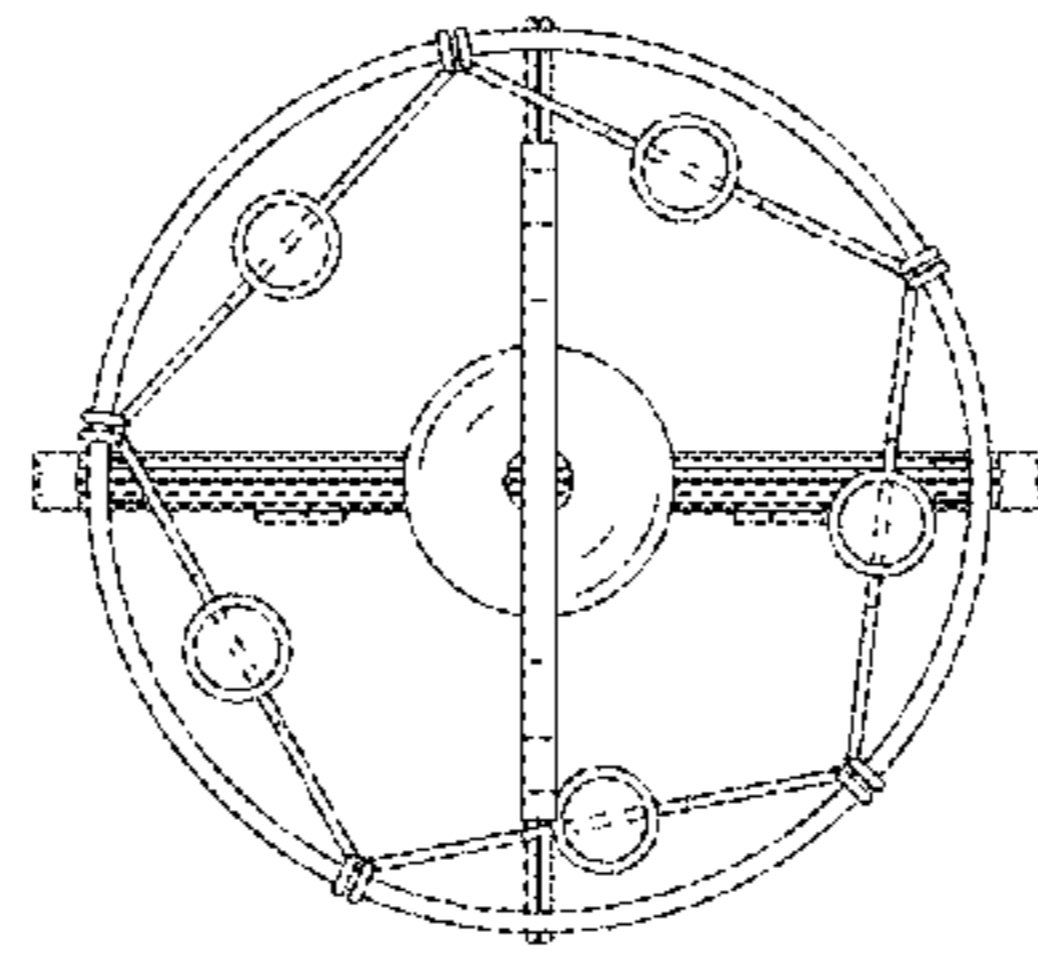


FIG. 8



FIG. 9

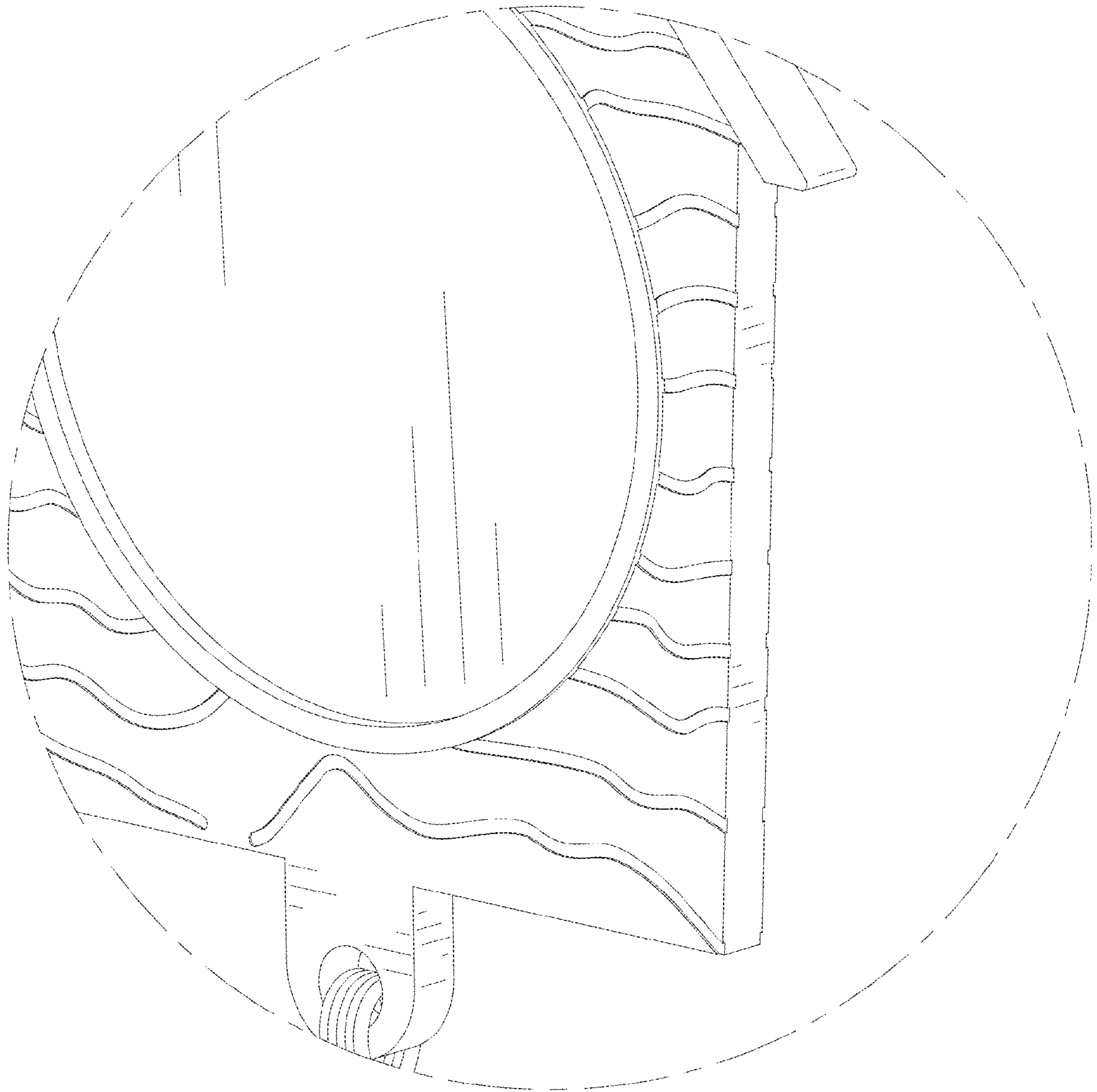


FIG. 10