



US00D951335S

(12) **United States Design Patent** (10) **Patent No.:** **US D951,335 S**  
**Gu** (45) **Date of Patent:** **\*\* May 10, 2022**

(54) **SUNGLASSES**

(71) Applicant: **Guangzhou Xunqi Glasses Co., Ltd.**,  
Guangzhou (CN)

(72) Inventor: **Deyue Gu**, Anhui (CN)

(73) Assignee: **Guangzhou Xunqi Glasses Co., Ltd.**,  
Guangzhou (CN)

(\*\*) Term: **15 Years**

(21) Appl. No.: **29/782,597**

(22) Filed: **May 7, 2021**

(51) **LOC (13) Cl.** ..... **16-06**

(52) **U.S. Cl.**  
USPC ..... **D16/313**

(58) **Field of Classification Search**  
USPC ..... D16/300, 321, 326, 313, 325  
CPC ..... G02C 7/10  
See application file for complete search history.

(56) **References Cited**

**U.S. PATENT DOCUMENTS**

D837,871 S *	1/2019	Canales	.....	D16/314
D849,823 S *	5/2019	Canales	.....	D16/313
D849,825 S *	5/2019	Canales	.....	D16/314
D875,818 S *	2/2020	Kim	.....	D16/313
D889,531 S *	7/2020	Canales	.....	D16/330
D901,580 S *	11/2020	Zhang	.....	D16/313
D903,749 S *	12/2020	Li	.....	D16/314
D913,360 S	3/2021	Yang		
D914,795 S	3/2021	Boinnard et al.		
D918,290 S *	5/2021	Le	.....	D16/314
D930,065 S *	9/2021	Yang	.....	D16/313
D934,331 S *	10/2021	Gong	.....	D16/313
D940,229 S *	1/2022	Deyue	.....	D16/325

**OTHER PUBLICATIONS**

AALK Polarized Cycling Glasses, posted at amazon.com, posting date Mar. 8, 2021, [online], [site visited Mar. 11, 2022]. Available

from Internet, URL: <https://www.amazon.com/AALK-Polarized-Cycling-Glasses-Sunglasses/dp/B08Y8MTFGP> (Year: 2021).\*  
CoolChange Polarized Cycling Sunglasses, posted at amazon.com, posting date May 21, 2020, [online], [site visited Mar. 11, 2022]. Available from Internet, URL: <https://www.amazon.com/Cool-Change-Photochromic-Unbreakable-Lightweight/dp/B088LVNX9Q> (Year: 2020).\*

(Continued)

*Primary Examiner* — George D. Kirschbaum

*Assistant Examiner* — Maria J. Edwards

(74) *Attorney, Agent, or Firm* — ScienBiziP, P.C.

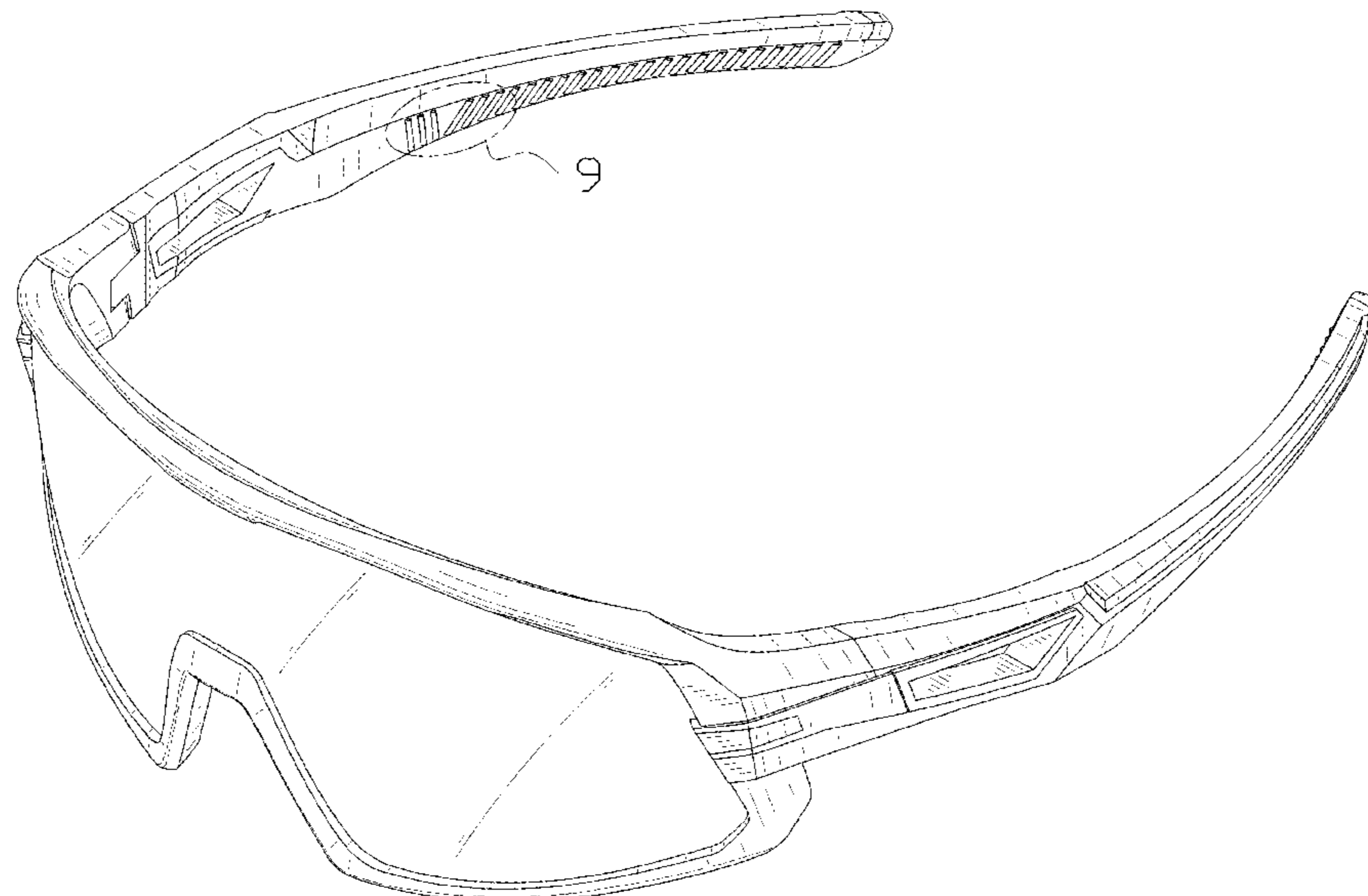
(57) **CLAIM**

The ornamental design for sunglasses, as shown and described.

**DESCRIPTION**

FIG. 1 is a front, right, and top perspective view of sunglasses, showing my new design;  
FIG. 2 is a rear, left, and bottom perspective view thereof.  
FIG. 3 is a front elevation view thereof.  
FIG. 4 is a rear elevation view thereof.  
FIG. 5 is a left side elevation view thereof.  
FIG. 6 is a right side elevation view thereof.  
FIG. 7 is a top plan view thereof.  
FIG. 8 is a bottom plan view thereof.  
FIG. 9 is a partial enlarged view of an area labeled 9 in FIG. 1 comprising a head part of a leg of the sunglasses; and,  
FIG. 10 is a partial enlarged view of an area labeled 10 in FIG. 2 comprising a nose pad of the sunglasses.  
The broken lines shown in the drawings are included for the purpose of illustrating portions of the sunglasses that form no part of the claimed design.

**1 Claim, 10 Drawing Sheets**



(56)

**References Cited**

OTHER PUBLICATIONS

HTTOAR Polarized Cycling Glasses, posted at amazon.com, posting date Jun. 16, 2021, [online], [site visited Mar. 11, 2022]. Available from Internet, URL: <https://www.amazon.com/Polarized-Cycling-Glasses-Sunglasses-Interchangeable/dp/B097BN8LYR> (Year: 2021).\*

\* cited by examiner

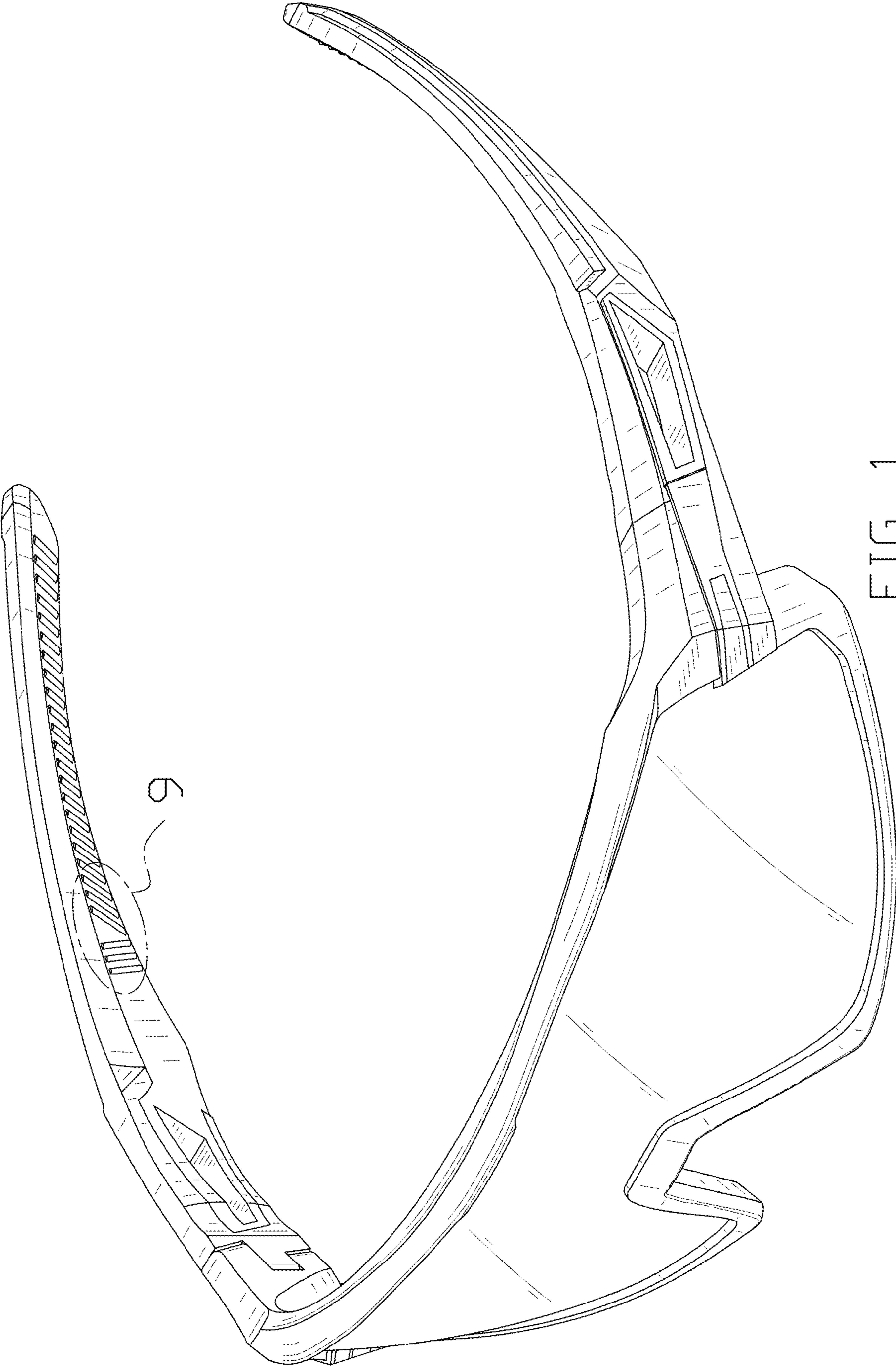


FIG. 1

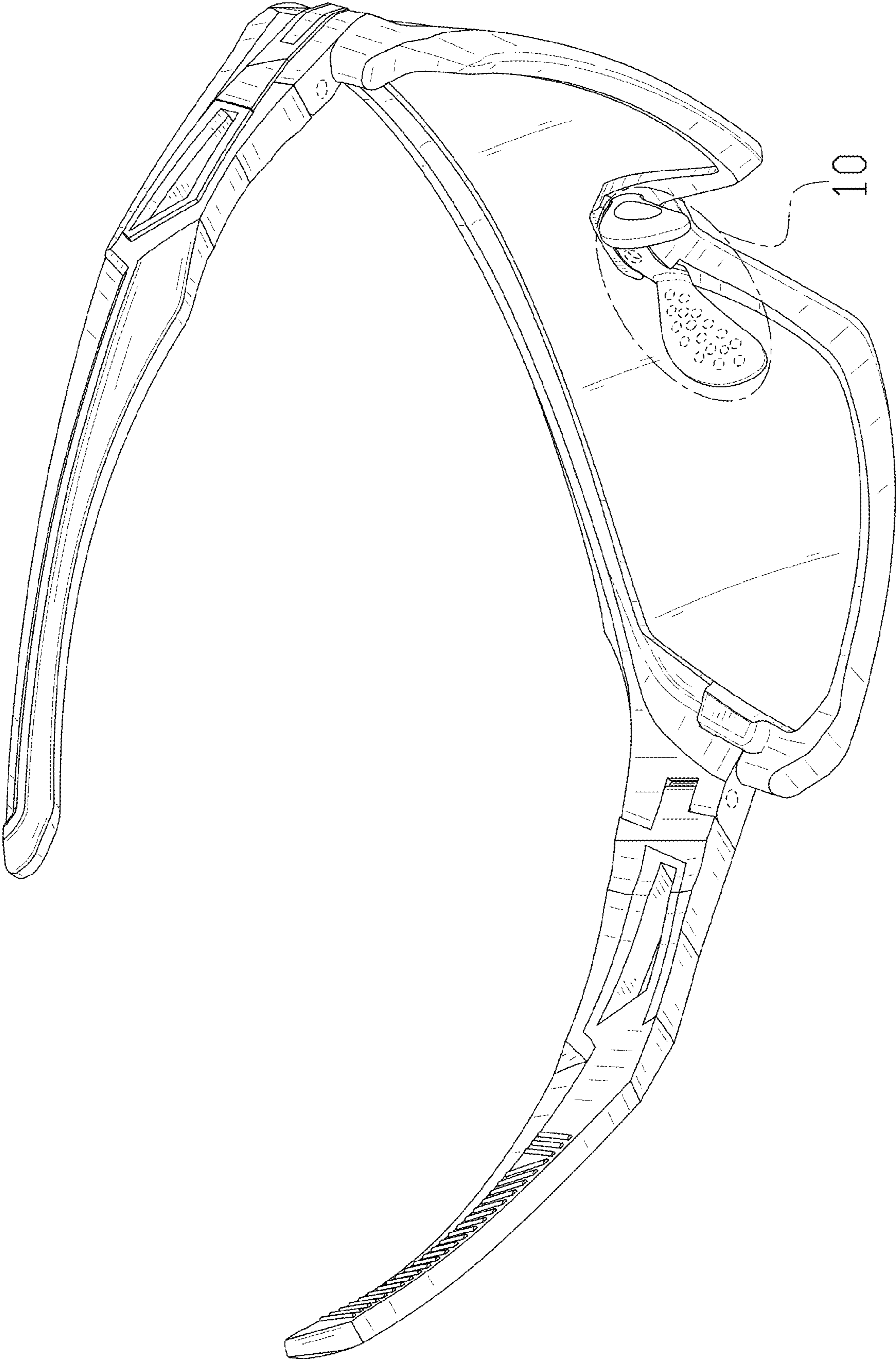


FIG. 2

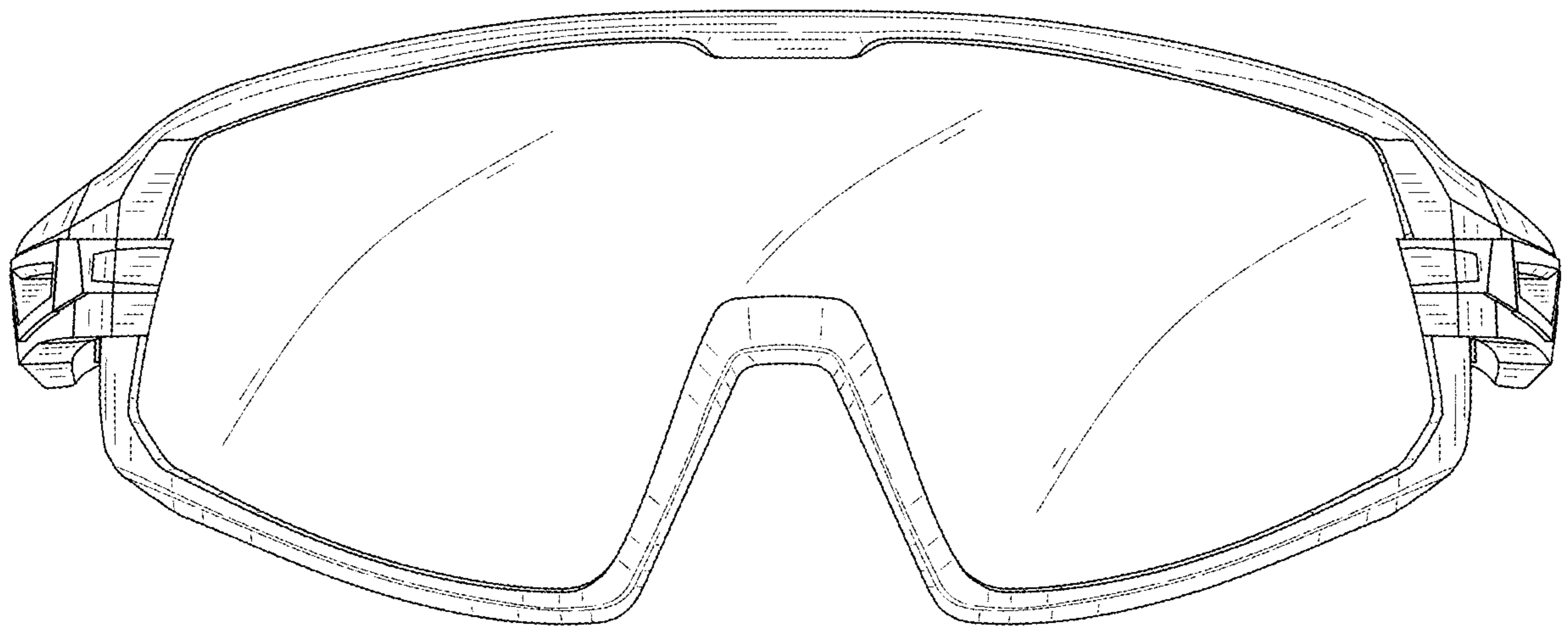


FIG. 3

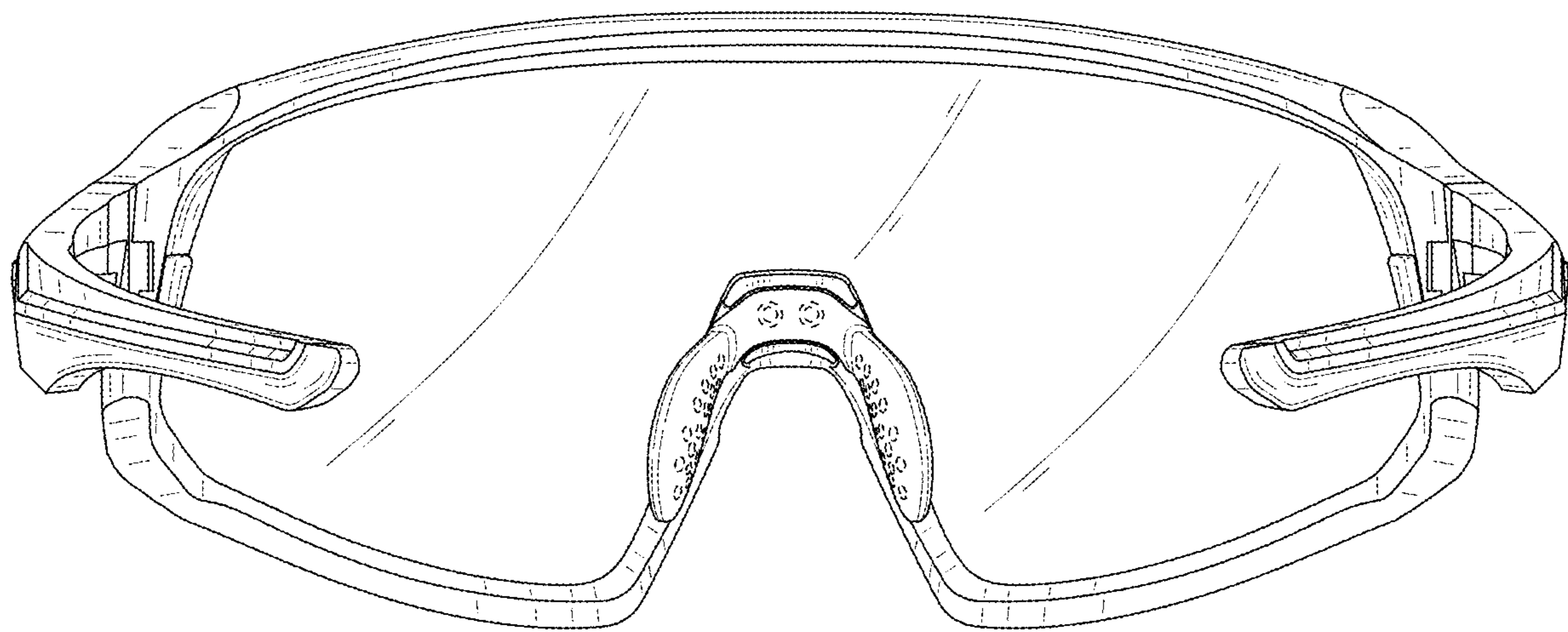


FIG. 4

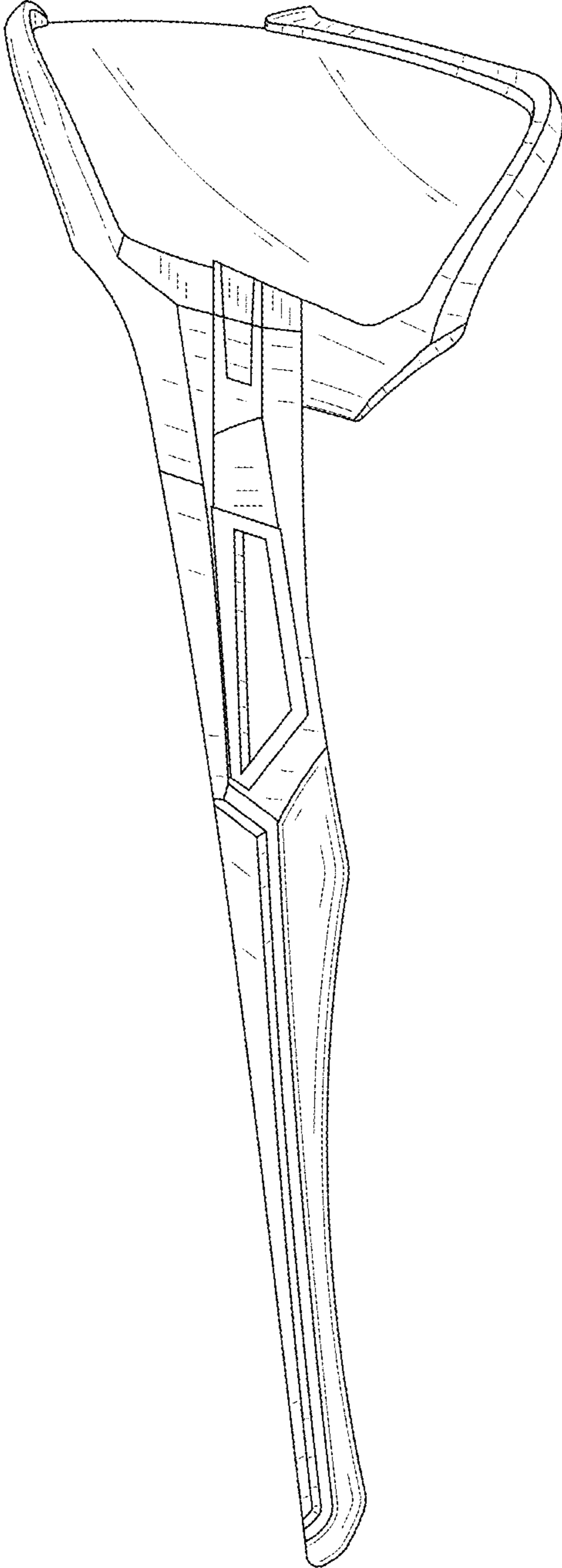


FIG. 5

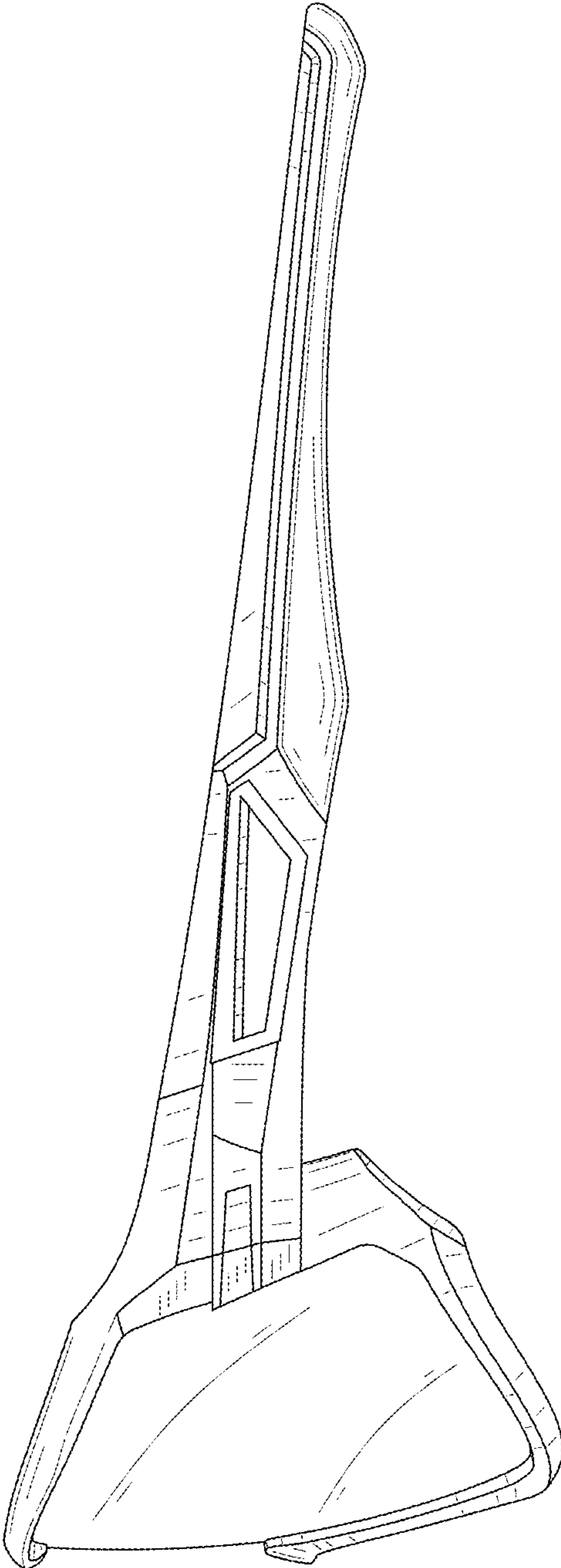


FIG. 6



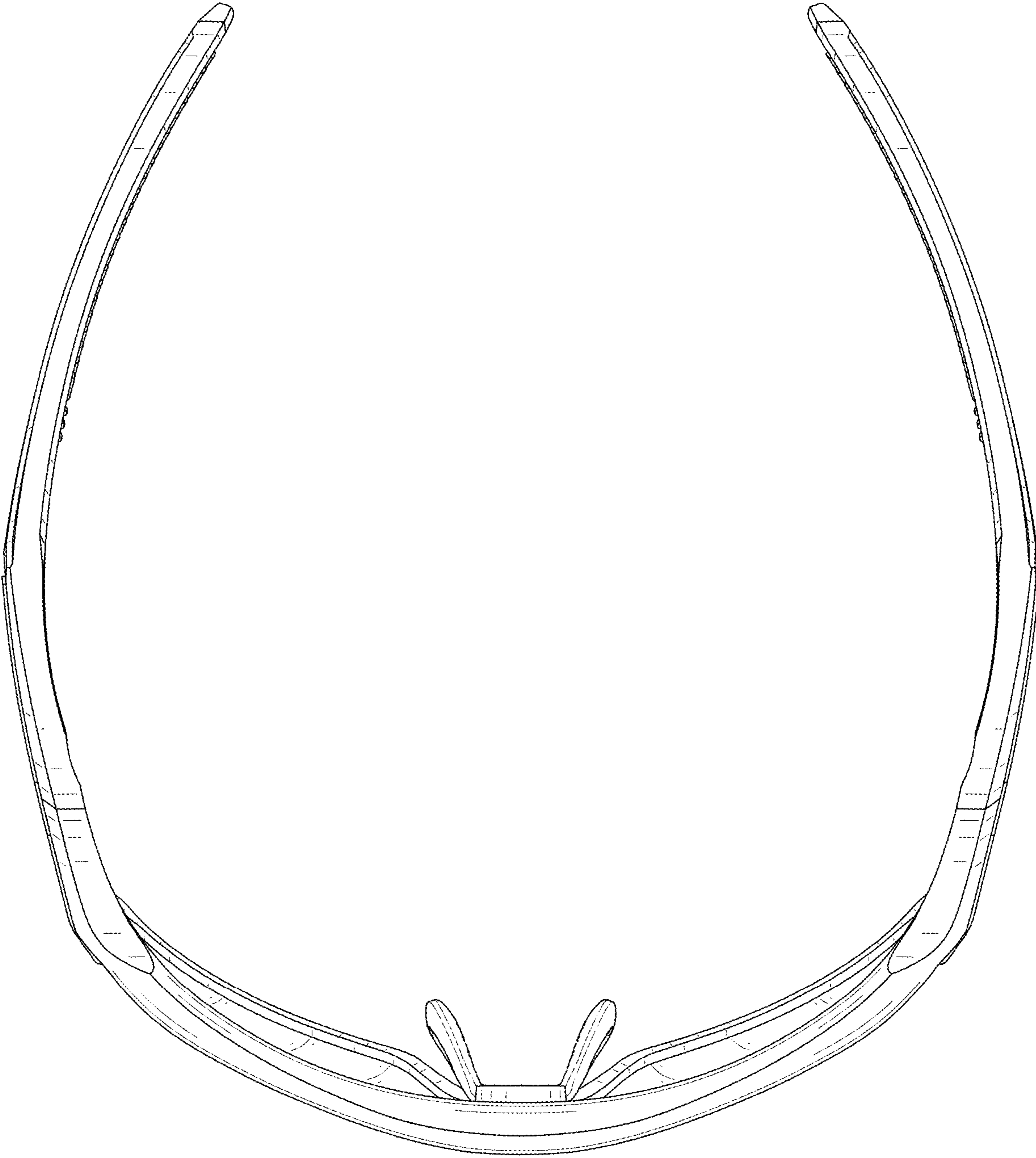


FIG. 7

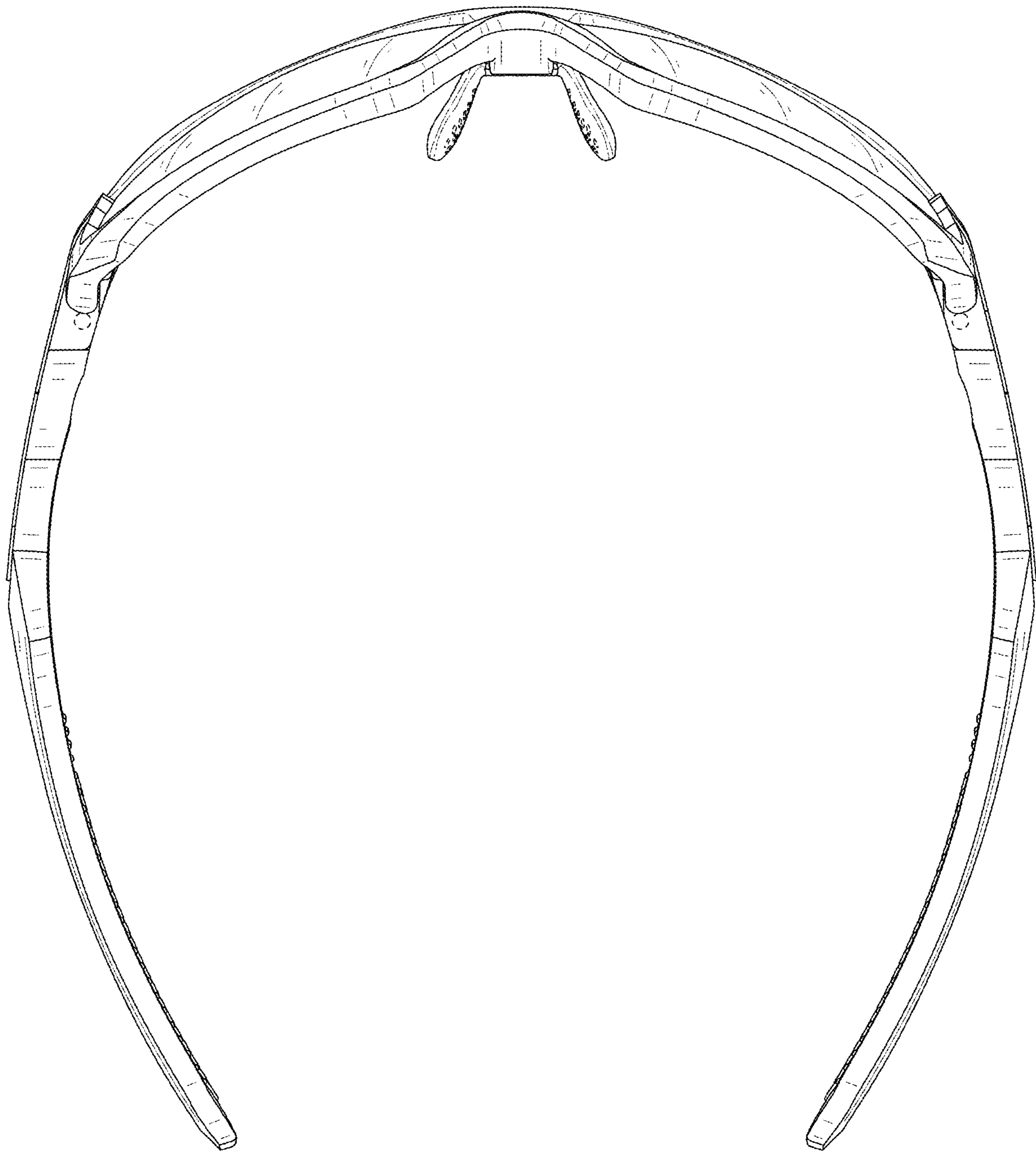


FIG. 8

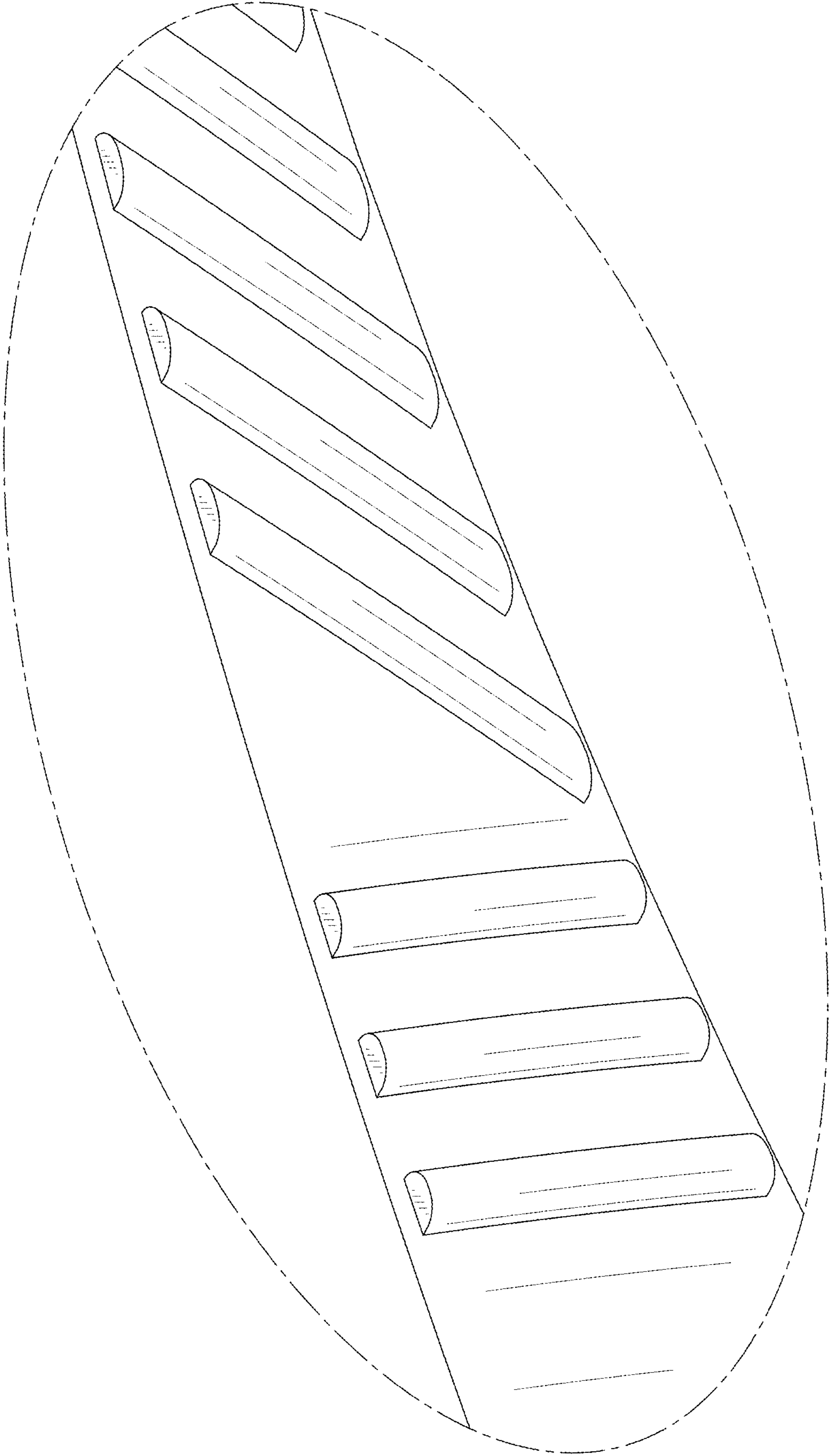


FIG. 9

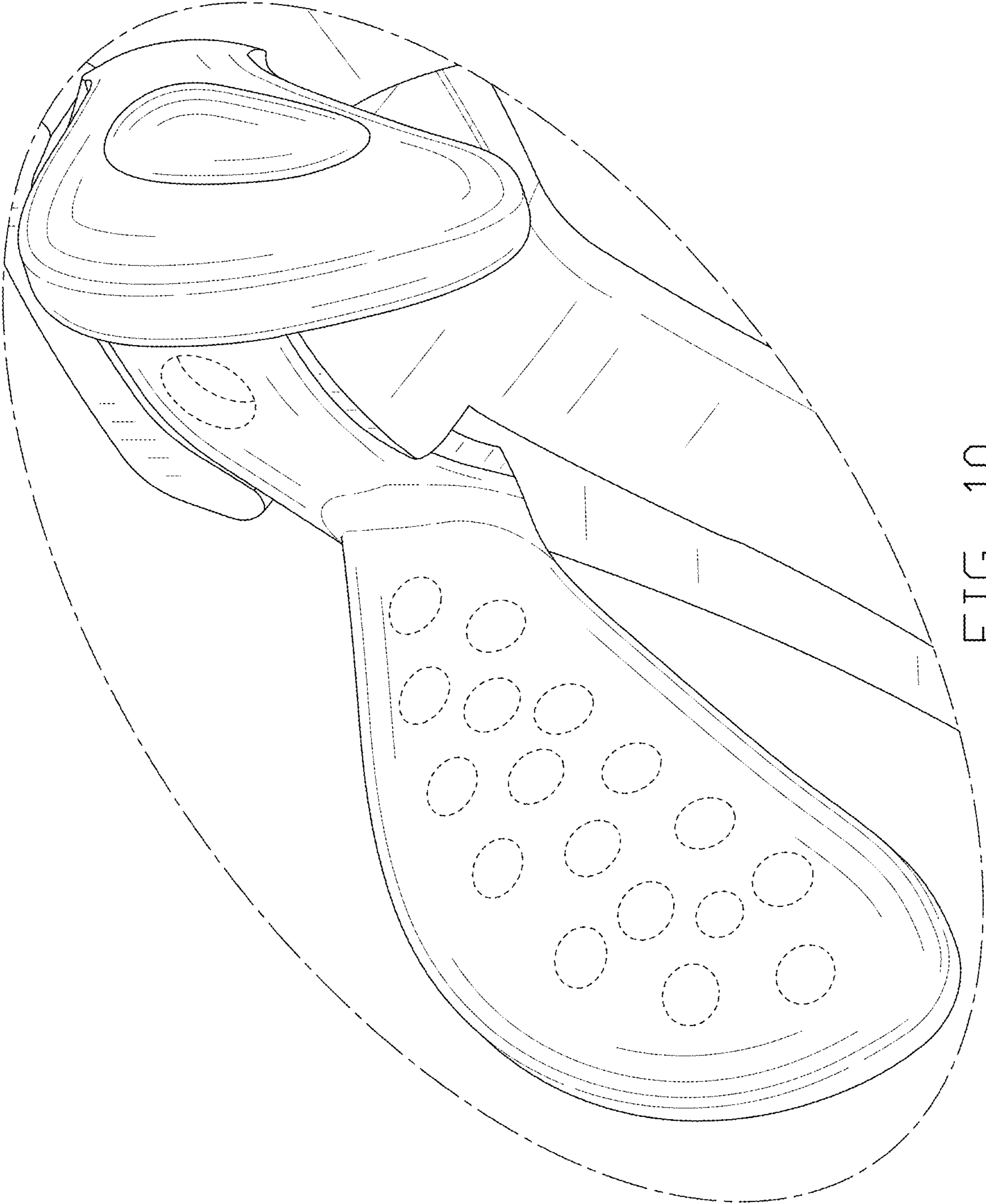


FIG. 10