



US00D951333S

(12) **United States Design Patent** (10) **Patent No.:** **US D951,333 S**
Wang (45) **Date of Patent:** **** *May 10, 2022**

(54) **GIMBAL CAMERA**
(71) Applicant: **AUTEL ROBOTICS CO., LTD.,**
Shenzhen (CN)
(72) Inventor: **Yongshuai Wang,** Shenzhen (CN)
(73) Assignee: **AUTEL ROBOTICS CO., LTD.,**
Shenzhen (CN)
(*) Notice: This patent is subject to a terminal disclaimer.
(**) Term: **15 Years**
(21) Appl. No.: **29/647,058**
(22) Filed: **May 9, 2018**

(30) **Foreign Application Priority Data**
Dec. 27, 2017 (CN) 201730673623.X
(51) **LOC (13) Cl.** **16-05**
(52) **U.S. Cl.**
USPC **D16/242**
(58) **Field of Classification Search**
USPC D16/200, 202, 203, 208, 219, 242;
D10/106.1, 106.6, 106.7, 106.8
CPC .. H04N 5/2251; H04N 5/2252; H04N 5/2253;
H04N 5/2254; H04N 7/181; H04N 7/183;
H04N 7/18; G03B 15/006; G03B 17/561;
F16M 11/18; F16M 13/022; B64C
39/024; B64C 2201/123; B64D 47/08
See application file for complete search history.

(56) **References Cited**
U.S. PATENT DOCUMENTS
D754,242 S * 4/2016 Wang D16/242
D791,217 S * 7/2017 Wang D16/200

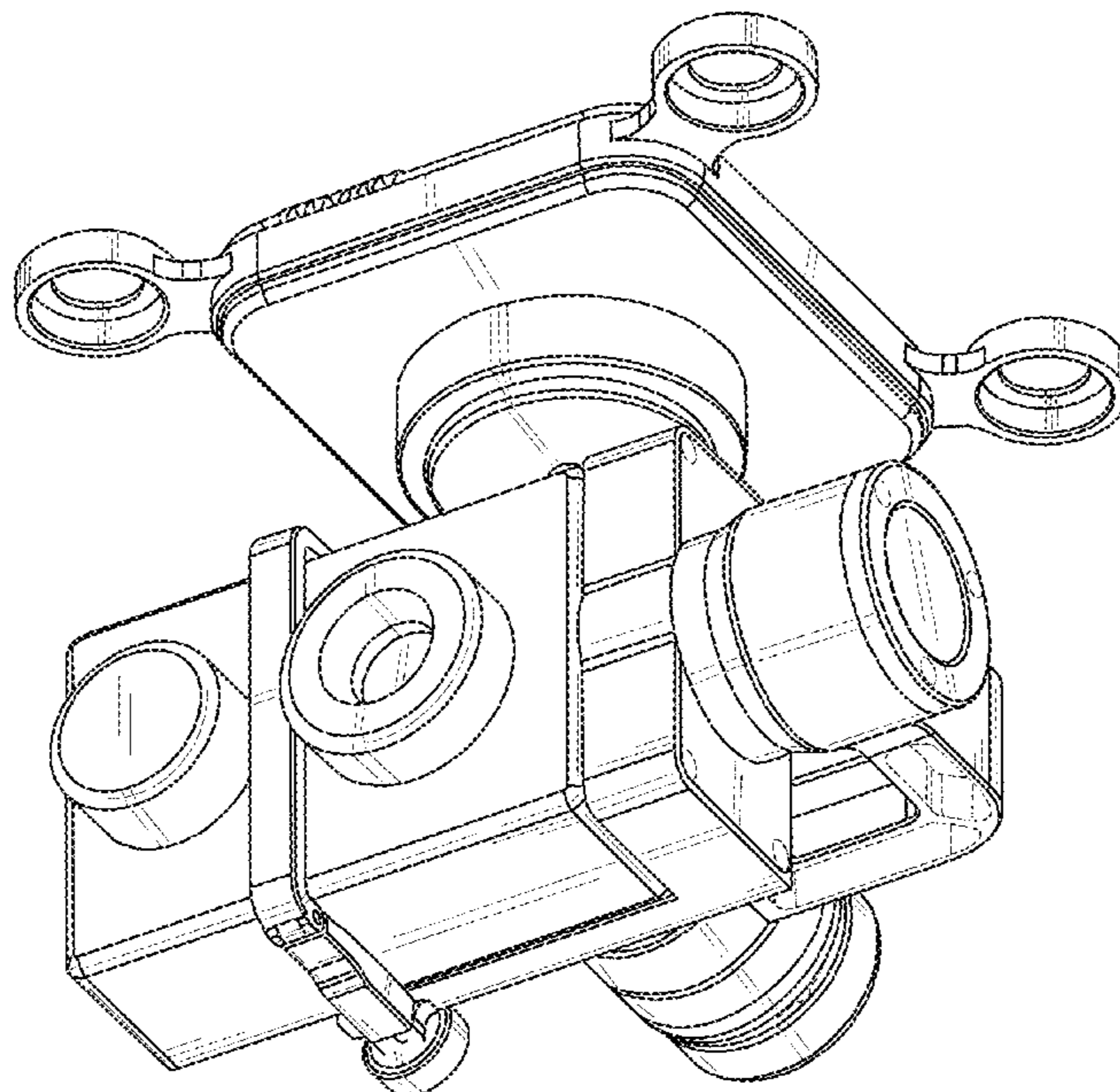
D799,581 S * 10/2017 Lin D16/242
D861,525 S * 10/2019 Wang D10/103
2017/0078538 A1 * 3/2017 Zhu H04N 5/2253
2017/0094185 A1 * 3/2017 Wang G03B 17/561
2017/0227162 A1 * 8/2017 Saika F16M 11/121
2018/0273203 A1 * 9/2018 Zhang G03B 17/561
2018/0319512 A1 * 11/2018 Kang B64C 39/02
2018/0337579 A1 * 11/2018 Chen G01B 7/30
2018/0364548 A1 * 12/2018 Peng G03B 17/561
2018/0373127 A1 * 12/2018 Peng F16M 11/04
2019/0162358 A1 * 5/2019 Wang F16M 11/18
2019/0172359 A1 * 6/2019 Argo G08G 5/0034

* cited by examiner
Primary Examiner — Sandra Snapp
Assistant Examiner — Ieisha N Price

(57) **CLAIM**
The ornamental design for a gimbal camera, as shown and described.

DESCRIPTION
FIG. 1 is a front elevational view of a gimbal camera showing our new design;
FIG. 2 is a rear elevational view thereof;
FIG. 3 is a left side elevational view thereof;
FIG. 4 is a right side elevational view thereof;
FIG. 5 is a top plan view thereof;
FIG. 6 is a bottom plan view thereof; and,
FIG. 7 is a perspective view thereof.
The broken lines in the drawings illustrate portions of the gimbal camera and form no part of the claimed design.

1 Claim, 7 Drawing Sheets



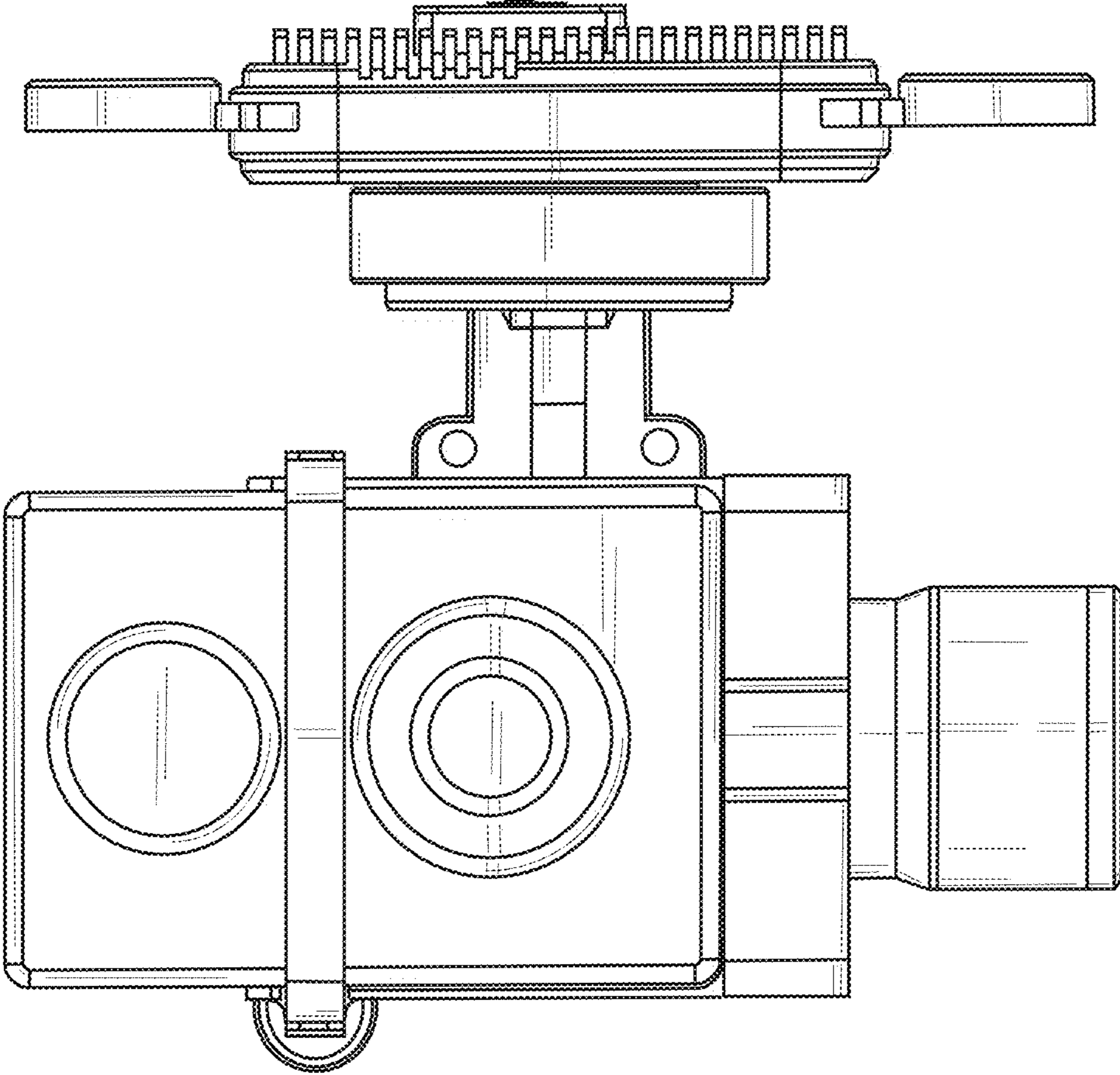


FIG. 1

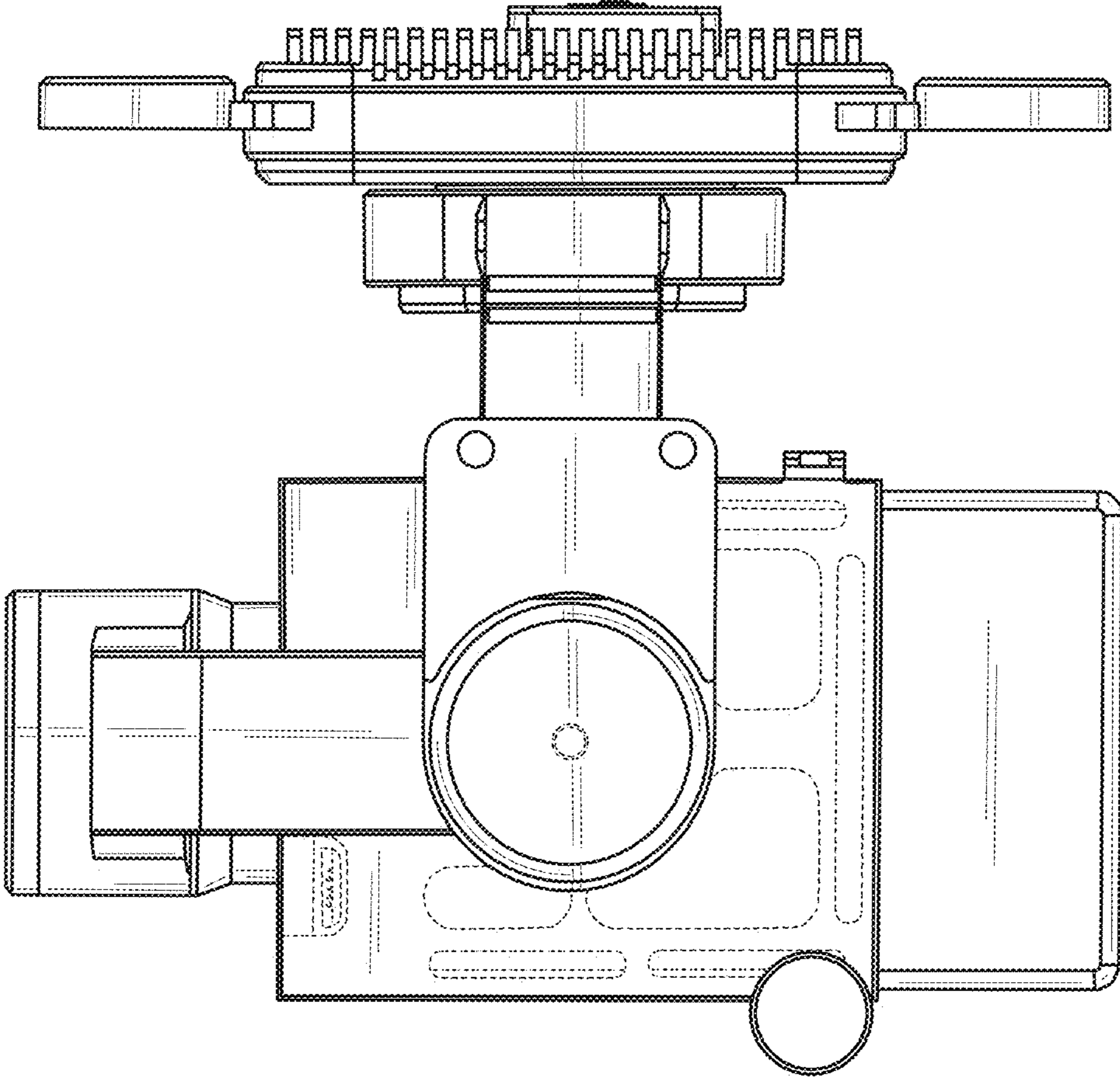


FIG. 2

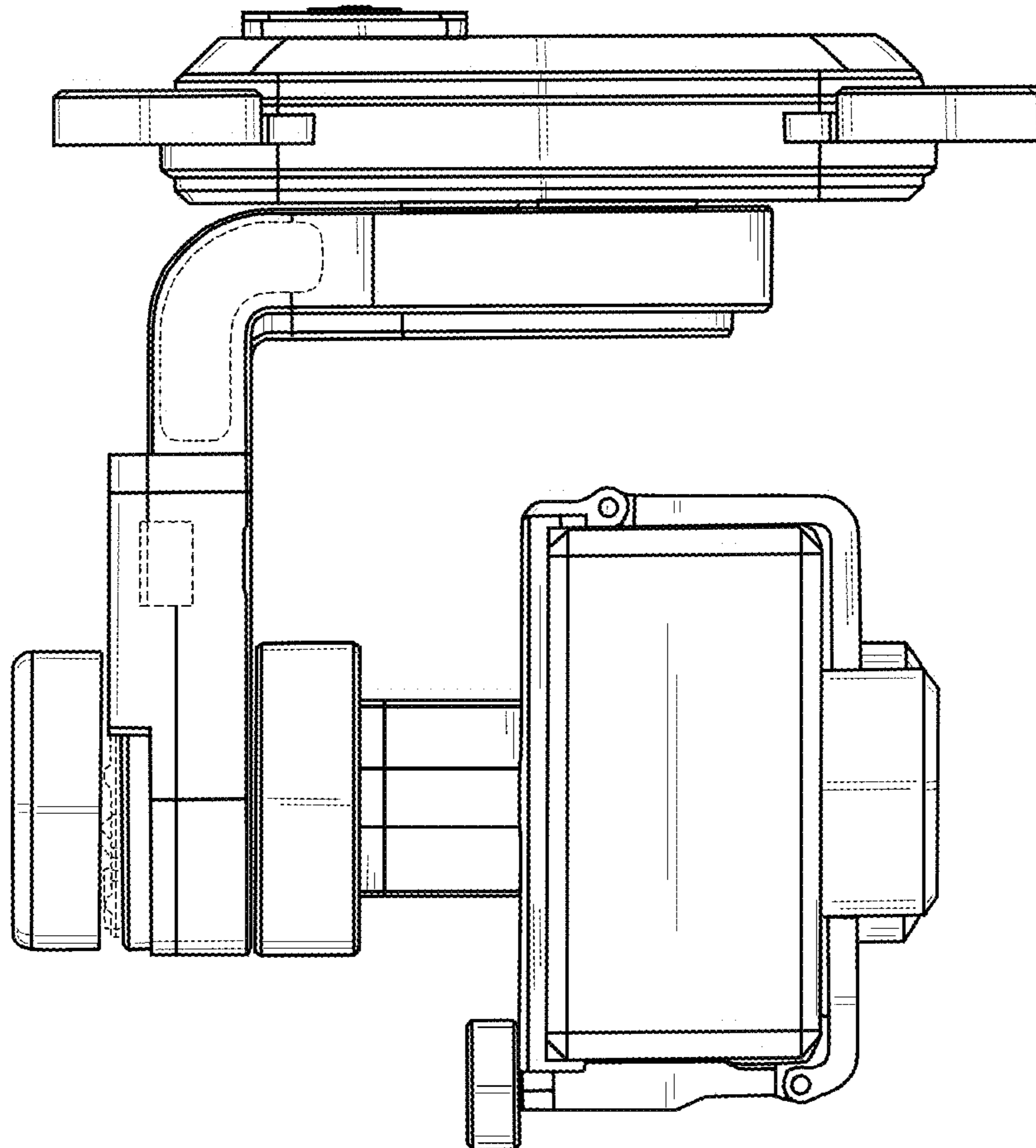


FIG. 3

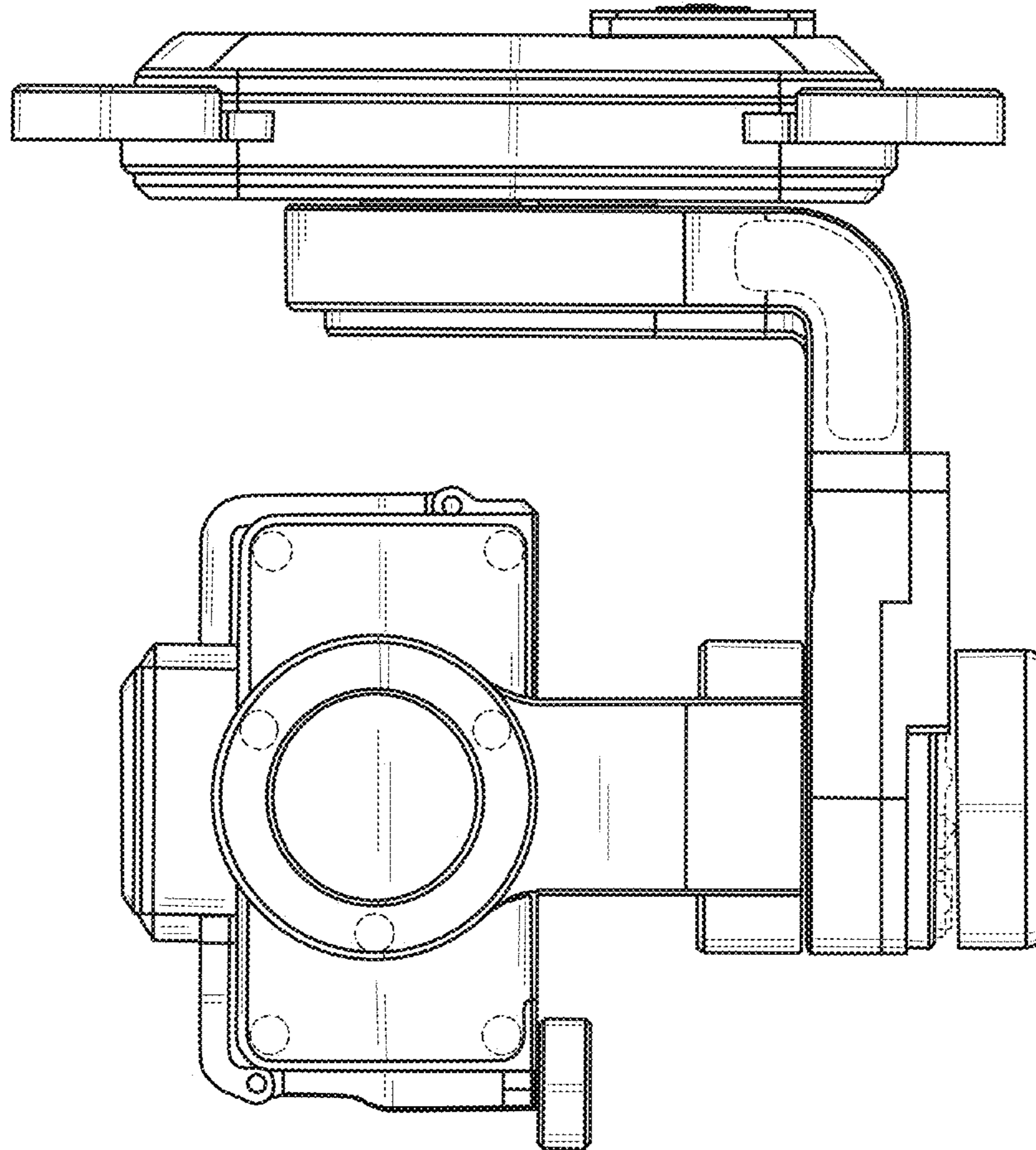


FIG. 4

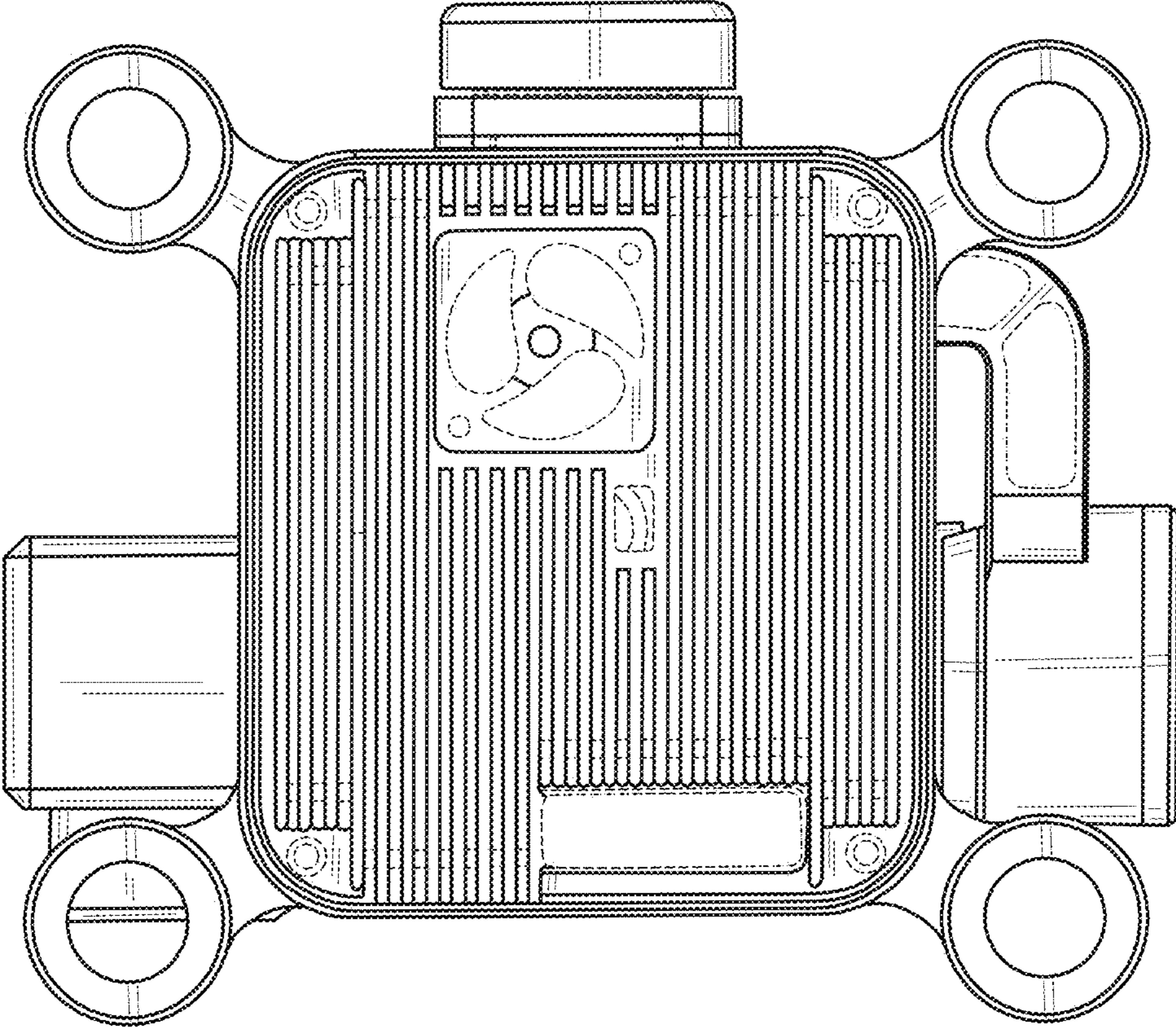


FIG. 5

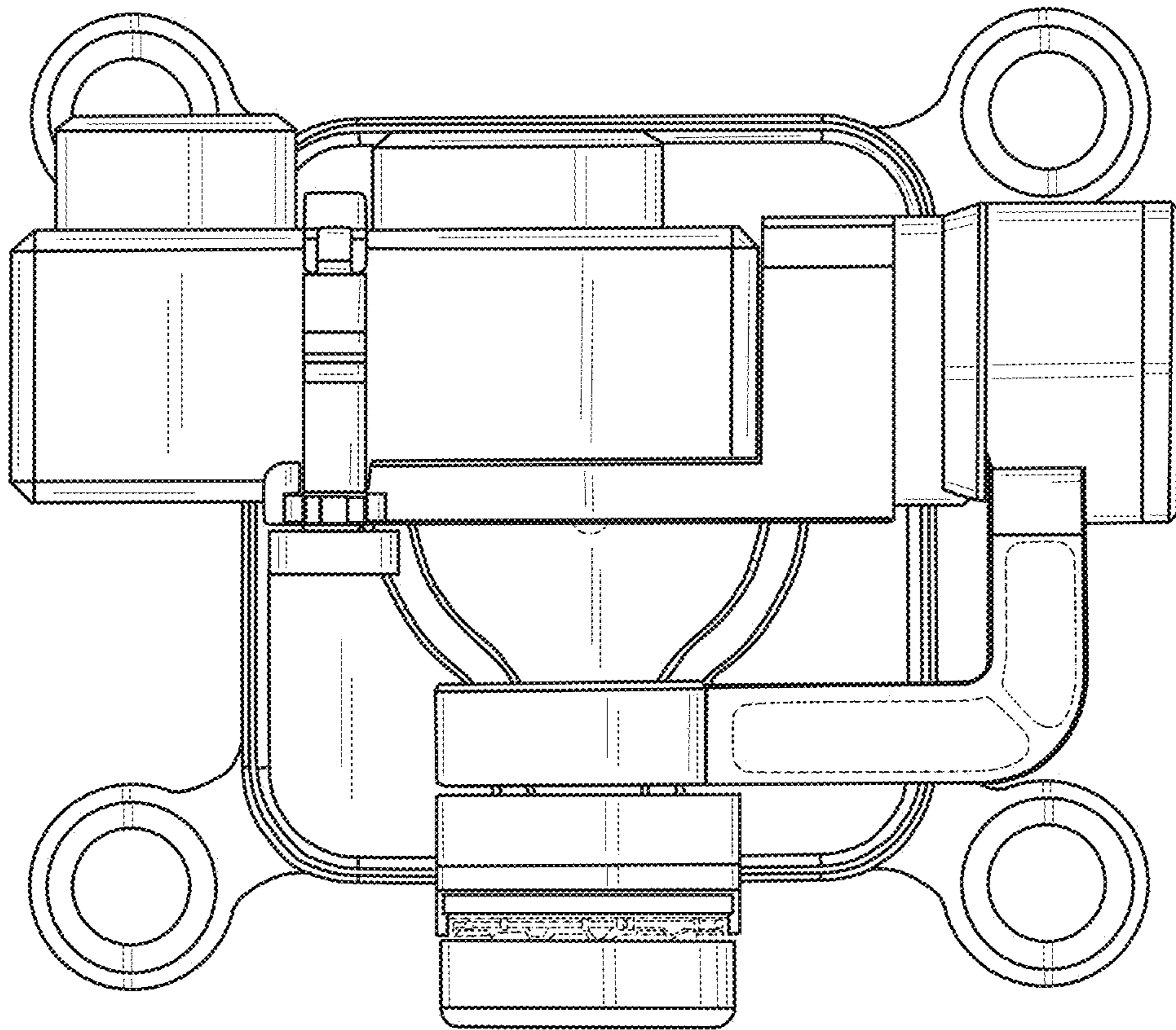


FIG. 6

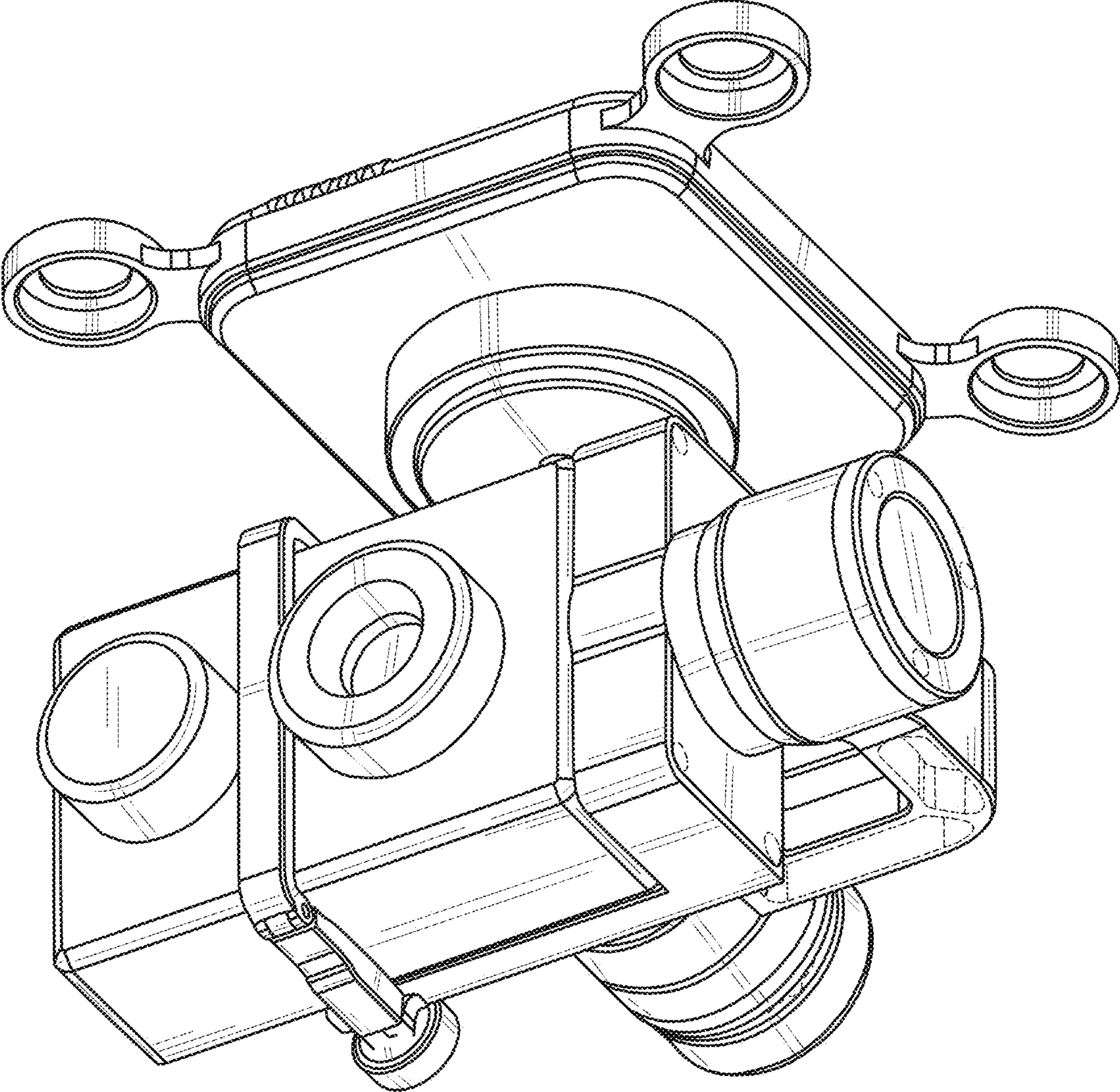


FIG. 7