



US00D951332S

(12) **United States Design Patent** (10) **Patent No.:** **US D951,332 S**
Ni (45) **Date of Patent:** **** *May 10, 2022**

(54) **PHOTOGRAPHY LIGHT STAND**
(71) Applicant: **Shaoxing Shangyu Yixiang Digital Equipment Co., Ltd**, Shaoxing (CN)
(72) Inventor: **Yuxia Ni**, Shaoxing (CN)
(*) Notice: This patent is subject to a terminal disclaimer.
(**) Term: **15 Years**
(21) Appl. No.: **29/766,622**
(22) Filed: **Jan. 16, 2021**
(51) **LOC (13) Cl.** **16-05**
(52) **U.S. Cl.**
USPC **D16/237**
(58) **Field of Classification Search**
USPC D16/219, 237, 242–245; D8/354, 355, D8/363, 373, 382; D14/224, 229, 238, D14/251, 253, 447, 451, 457; D26/63, D26/106
CPC .. F16M 11/06–10; F16M 11/14; G03B 17/56; G03B 17/561–566
See application file for complete search history.

D670,752 S 11/2012 Barber
D720,384 S 12/2014 Holmen
D809,774 S * 2/2018 Brady D3/10
D815,328 S 4/2018 Ladnier et al.
D816,263 S 4/2018 Chang et al.
D840,672 S * 2/2019 Nichols D3/10
D853,613 S 7/2019 Lien
D854,074 S * 7/2019 Glazer D16/244
(Continued)

OTHER PUBLICATIONS

Lowel 40" C-Stand Sliding Leg Kit with 2.5" Grip Head & 40" Grip Arm (Black). [online] Retrieved Jun. 16, 2021 from URL: https://www.bhphotovideo.com/c/product/1632100-REG/lowel_40_c_stand_sliding_leg.html.*

(Continued)

Primary Examiner — Vy N Koenig
(74) *Attorney, Agent, or Firm* — Xiaofang Zhong; Law Office of Xiaofang Zhong, PLLC

(57) **CLAIM**

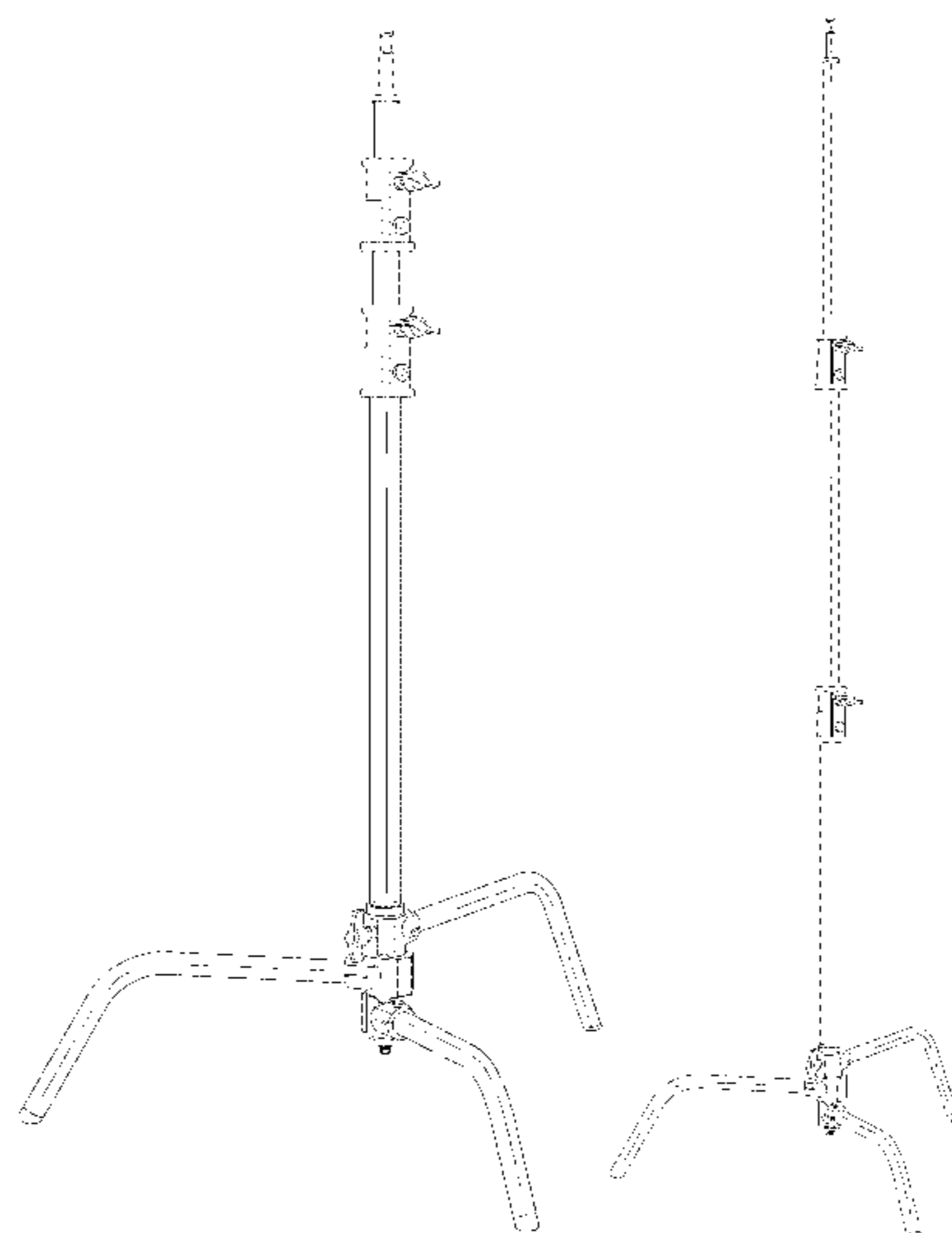
The ornamental design for a photography light stand, as shown and described.

DESCRIPTION

FIG. 1 is a perspective view of a photography light stand showing my new design;
FIG. 2 is a front elevational view thereof;
FIG. 3 is a back elevational view thereof;
FIG. 4 is a right-side elevational view thereof;
FIG. 5 is a left-side elevational view thereof;
FIG. 6 is a top plan view thereof;
FIG. 7 is a bottom plan view thereof; and,
FIG. 8 is a perspective view of the photography light stand of FIG. 1, with the pole in an alternate extended position thereof.
The broken lines in the drawings depict features of the photography light stand that form no part of the claimed design.

1 Claim, 8 Drawing Sheets

(56) **References Cited**
U.S. PATENT DOCUMENTS
D219,713 S * 1/1971 Thompson D17/22
3,934,806 A * 1/1976 Rady A47B 19/06
248/441.1
5,509,629 A * 4/1996 Sassmannshausen
F16M 11/16
248/169
D387,884 S * 12/1997 Mackay D26/93
D393,921 S 4/1998 Cicoello et al.
6,123,311 A * 9/2000 Trinier E04H 12/2215
248/167
D450,339 S 11/2001 Eason
D481,563 S * 11/2003 Hsieh D6/701
D574,159 S * 8/2008 Howard D6/310
D582,902 S * 12/2008 Crous D14/229
D643,230 S 8/2011 Hepeng



(56)

References Cited

U.S. PATENT DOCUMENTS

D857,085 S 8/2019 Yamaguchi
D880,568 S * 4/2020 Gorsuch D16/242
D899,491 S 10/2020 Chen
D908,274 S * 1/2021 Wang D26/138
D916,173 S * 4/2021 Zeng D16/244

OTHER PUBLICATIONS

Photography C-Stand Foldable Light Stand Tripod Magic Leg For
Photography Reflector Softbox Heavy Duty Stainless Steel Black.
[online] Retrieved Jun. 16, 2021 from URL: <https://www.aliexpress.com/i/4000162527824.html>.*

297666122_OrbitForeignRefs.pdf. (Design © Questel) orbit.com.
Online PDF compilation of references selected by examiner] 4 pgs.
Retrieved Jun. 17, 2021 from <https://www.orbit.com/export/QPTUJ190/pdf2/d11711eb-fd61-488a-a4e2-56cc852f0b5e-153945.pdf>.*

* cited by examiner

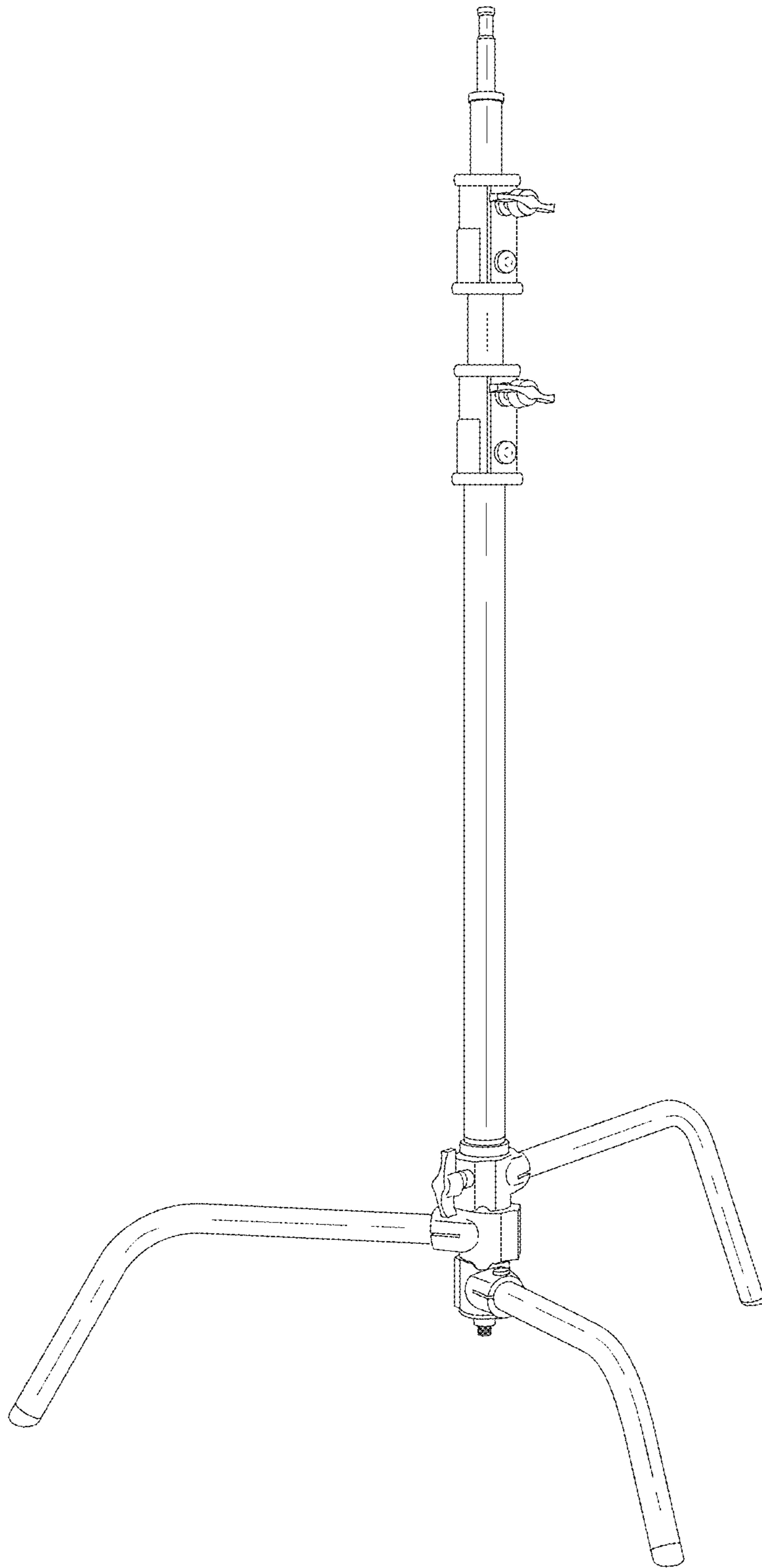


FIG. 1

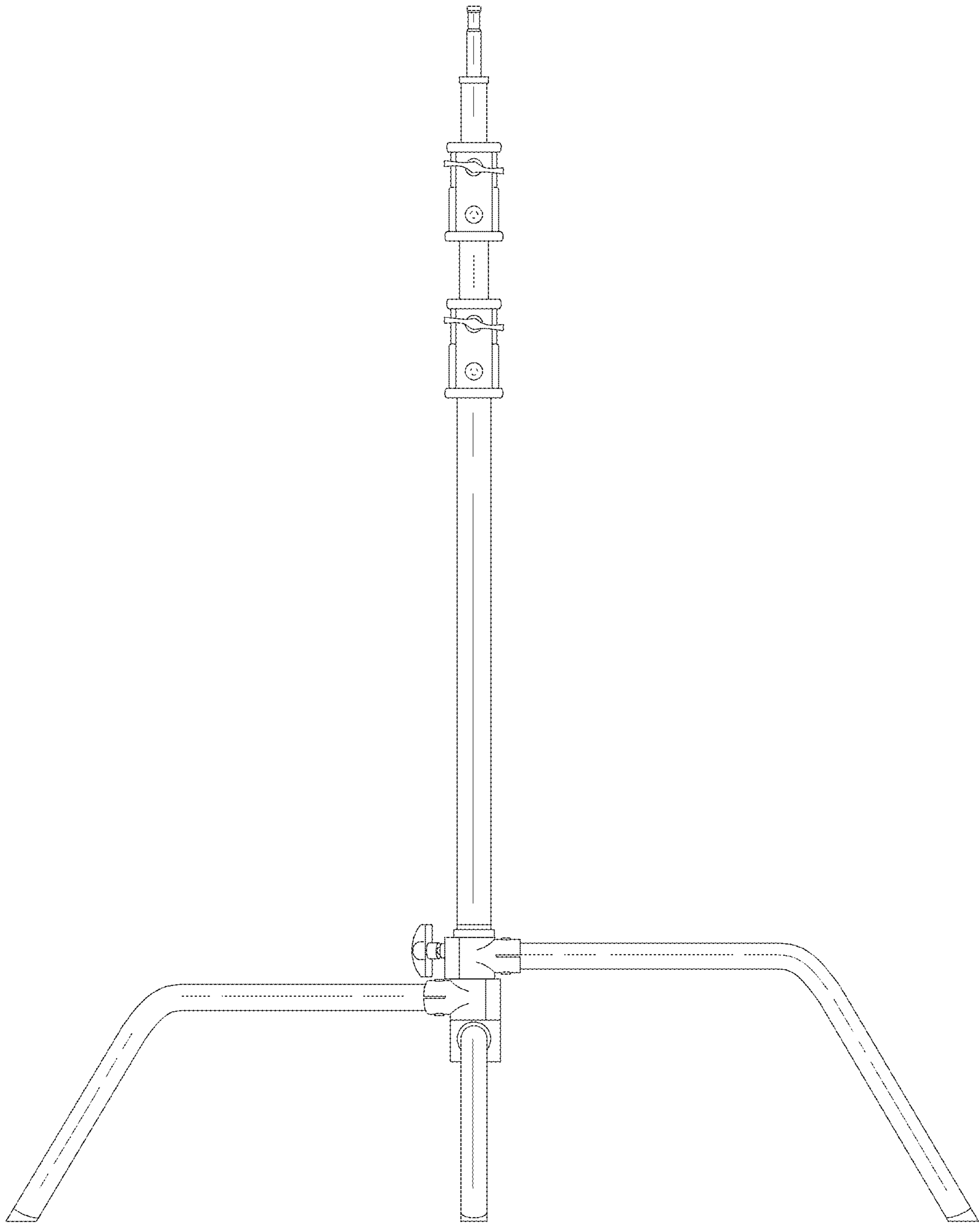


FIG.2

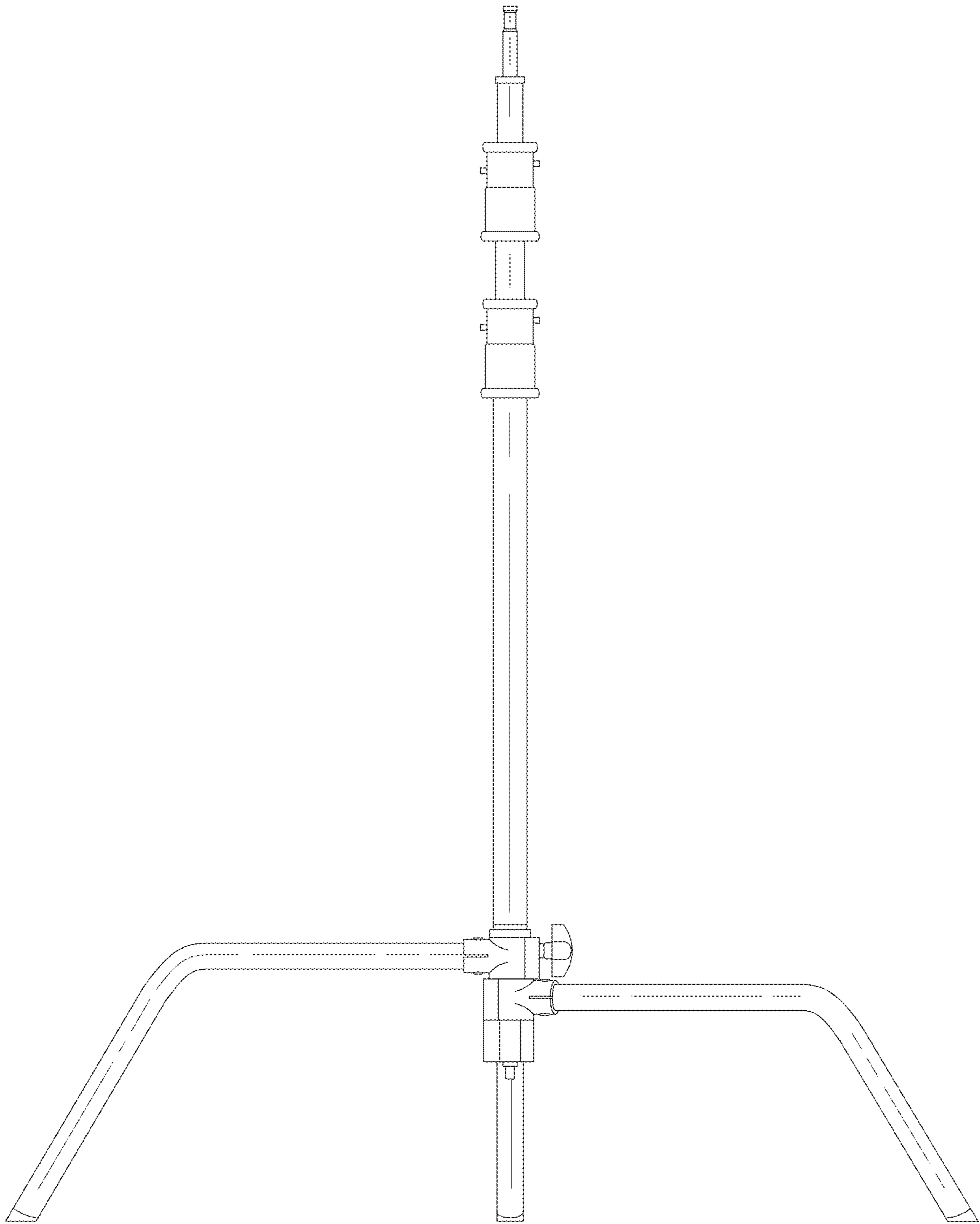


FIG.3

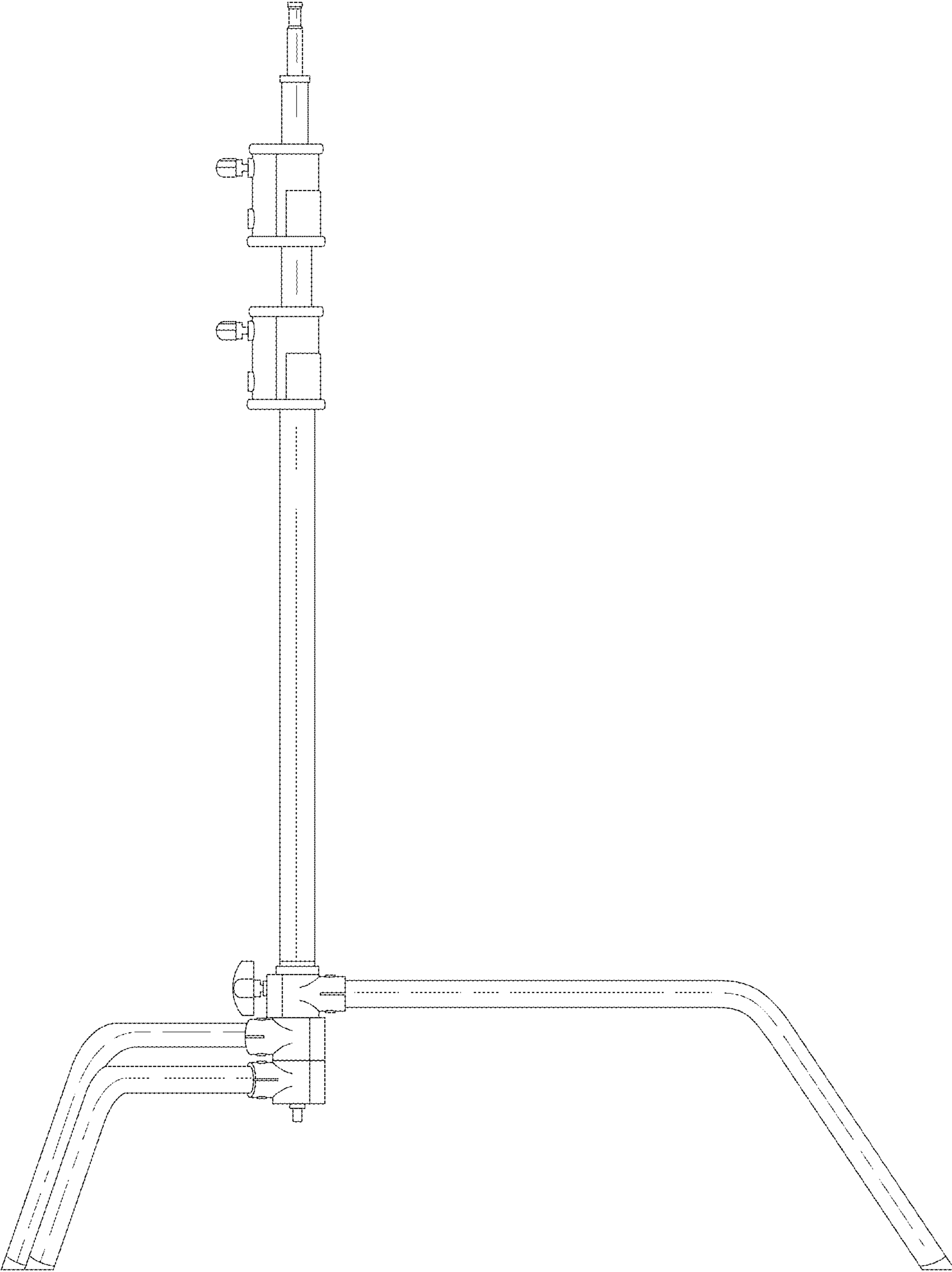


FIG.4

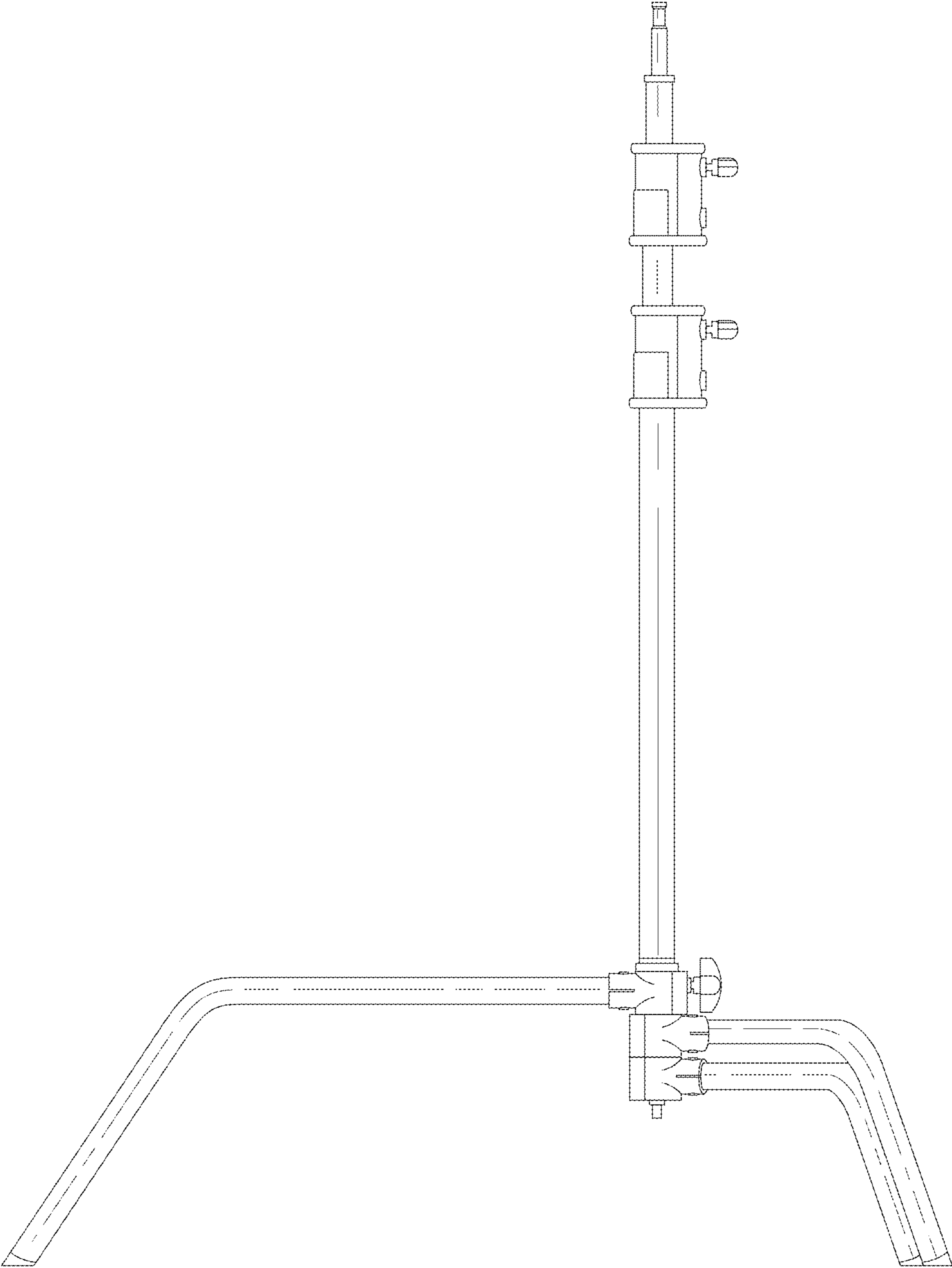


FIG.5

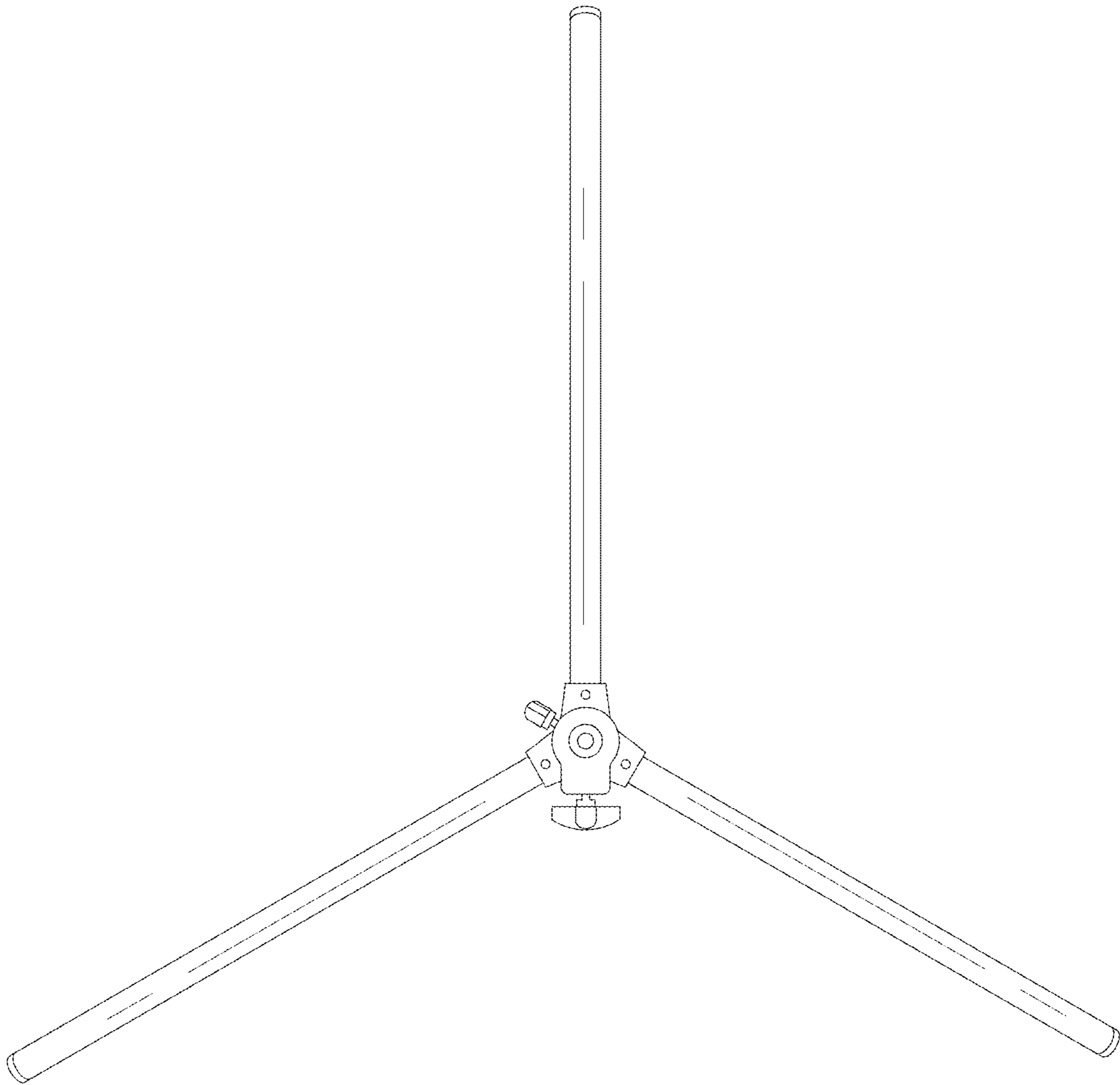


FIG.6

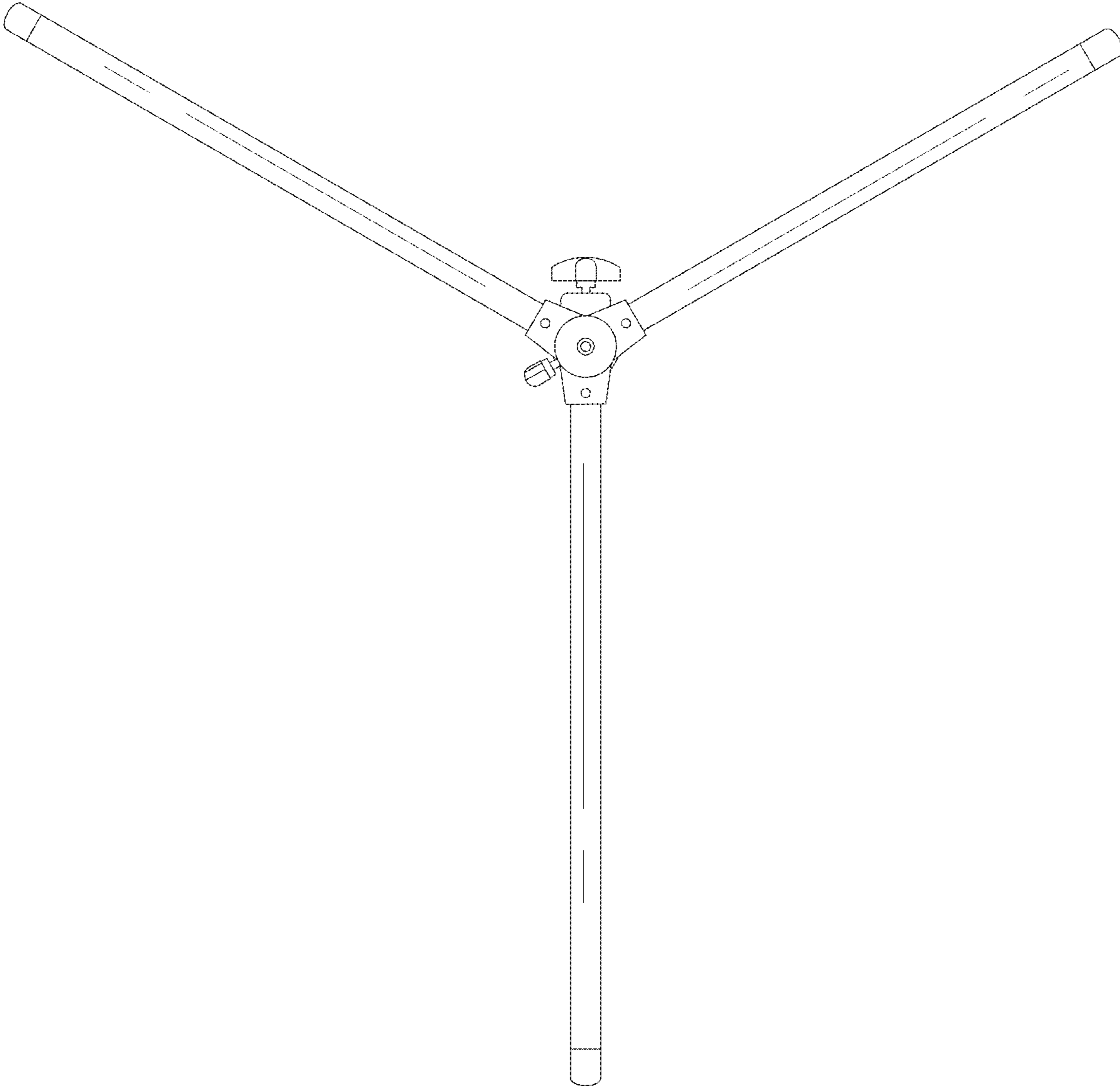


FIG.7

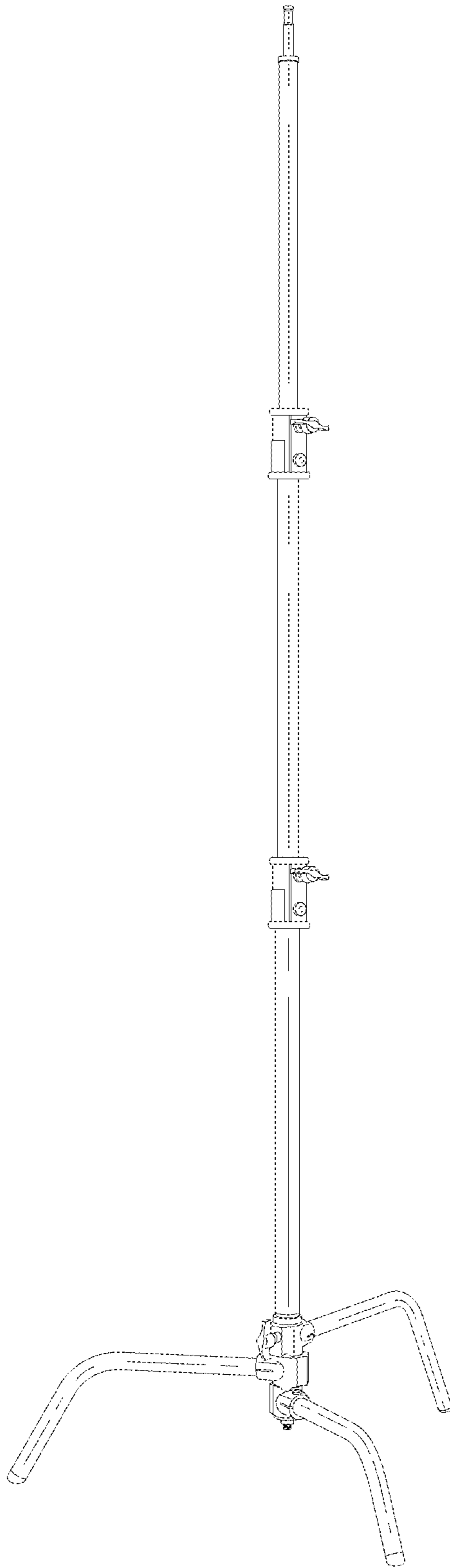


FIG.8