



US00D951331S

(12) **United States Design Patent**
Sponring

(10) **Patent No.:** **US D951,331 S**

(45) **Date of Patent:** **** May 10, 2022**

(54) **CAMERA**

(71) Applicant: **GN Audio A/S**, Ballerup (DK)

(72) Inventor: **Otto Sponring**, Ballerup (DK)

(73) Assignee: **GN AUDIO AS**, Ballerup (DK)

(**) Term: **15 Years**

(21) Appl. No.: **29/805,053**

(22) Filed: **Aug. 24, 2021**

Related U.S. Application Data

(62) Division of application No. 29/719,547, filed on Jan. 6, 2020, now Pat. No. Des. 931,926.

(51) **LOC (13) Cl.** **16-05**

(52) **U.S. Cl.**
USPC **D16/219**; D16/202; D16/218

(58) **Field of Classification Search**
USPC D16/200, 202–203, 208, 218, 219, 242;
348/14.01–14.6, 143, 148, 151, 373–376;
396/419, 427, 428, 535, 539–541
CPC G03B 17/02; G03B 19/04; G03B 17/56;
G03B 17/04; G03B 15/03; H04N
2101/00; H04N 2007/145; H04N 7/141;
H04N 7/142; H04N 7/147; H04N 7/148;
H04N 7/15; H04N 7/152
See application file for complete search history.

(56) **References Cited**

U.S. PATENT DOCUMENTS

| | | | |
|--------------|---------|-------------------|---------|
| D632,719 S | 2/2011 | Tsai et al. | |
| D643,456 S * | 8/2011 | Won | D16/218 |
| D682,332 S | 5/2013 | Wang et al. | |
| 8,475,059 B2 | 7/2013 | Khamsepoor et al. | |
| D712,951 S | 9/2014 | Chou et al. | |
| D744,573 S * | 12/2015 | Matsumiya | D16/218 |
| D745,586 S * | 12/2015 | Chou | D16/202 |

| | | | |
|--------------|---------|-------------------|---------|
| D783,075 S | 4/2017 | Maxwell et al. | |
| D795,162 S * | 8/2017 | Kwon | D12/400 |
| D803,805 S * | 11/2017 | Coffey | D14/130 |
| D849,089 S | 5/2019 | Lu | |
| D870,790 S | 12/2019 | Depay et al. | |
| D874,541 S * | 2/2020 | Kapuria | D16/208 |
| D893,577 S * | 8/2020 | Dearsley | D16/218 |
| D902,971 S | 11/2020 | Voron et al. | |
| D907,089 S | 1/2021 | Michaelian et al. | |
| D907,090 S | 1/2021 | Zheng et al. | |
| D908,156 S | 1/2021 | Michaelian | |
| D909,445 S * | 2/2021 | Voron | D16/202 |
| D909,446 S | 2/2021 | Ross et al. | |
| D910,730 S * | 2/2021 | Hao | D16/202 |
| D912,717 S * | 3/2021 | Russo | D16/202 |
| D924,299 S * | 7/2021 | Gartrell | D16/202 |
| D926,244 S * | 7/2021 | Ross | D16/219 |
| D929,482 S * | 8/2021 | Livaudais | D16/202 |

* cited by examiner

Primary Examiner — Ramzi Almatrahi

(74) *Attorney, Agent, or Firm* — Hamre, Schumann, Mueller & Larson, P.C.

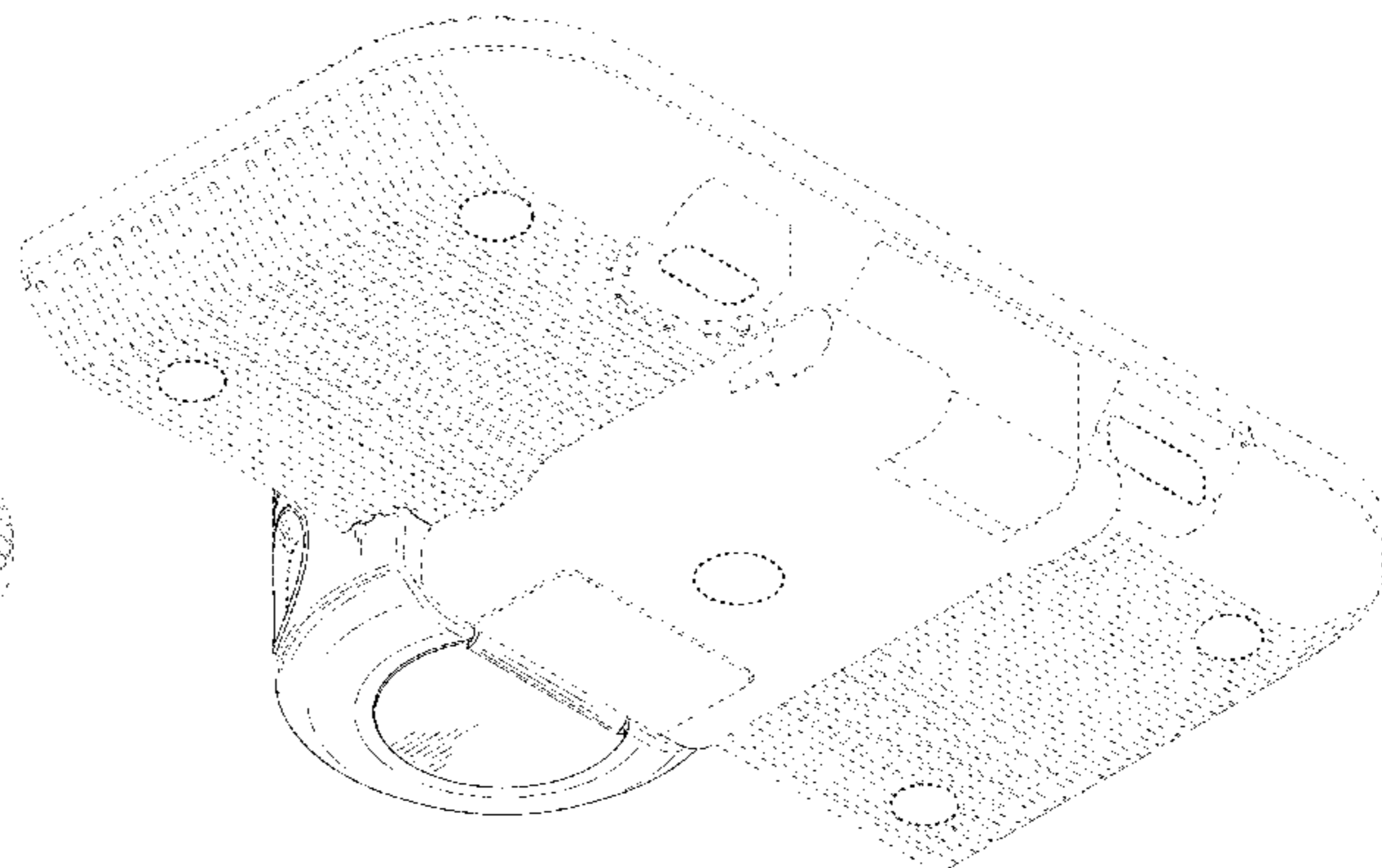
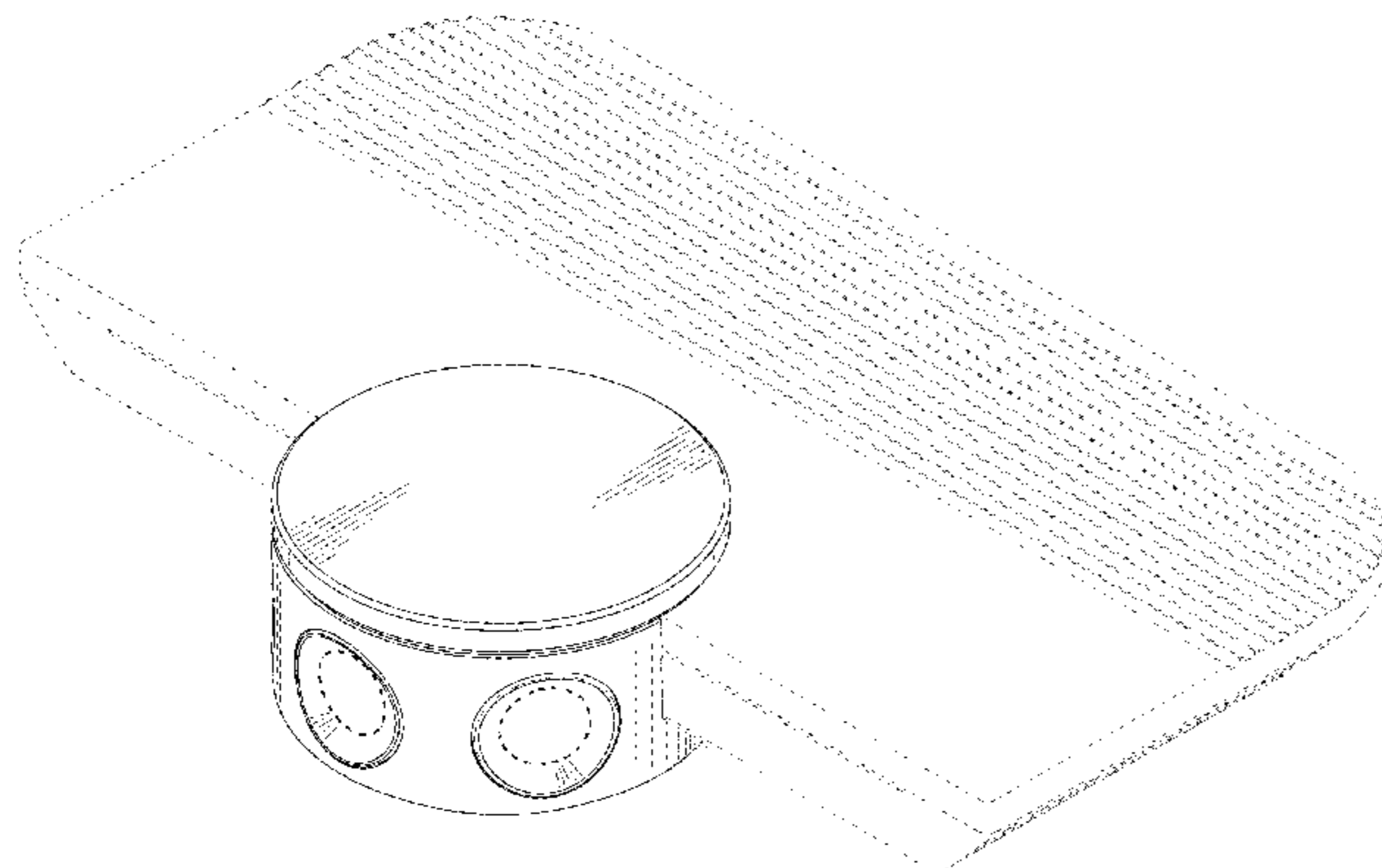
(57) **CLAIM**

The ornamental design for a camera, as shown and described.

DESCRIPTION

FIG. 1 is a top, front and right side isometric view of a camera;
FIG. 2 is a bottom, rear and right side isometric view thereof;
FIG. 3 is a front elevation view thereof;
FIG. 4 is a rear elevation view thereof;
FIG. 5 is a left side elevation view thereof;
FIG. 6 is a right side elevation view thereof;
FIG. 7 is a top plan view thereof; and,
FIG. 8 is a bottom plan view thereof.
The broken lines depict portions of the camera that form no part of the claimed design.

1 Claim, 6 Drawing Sheets



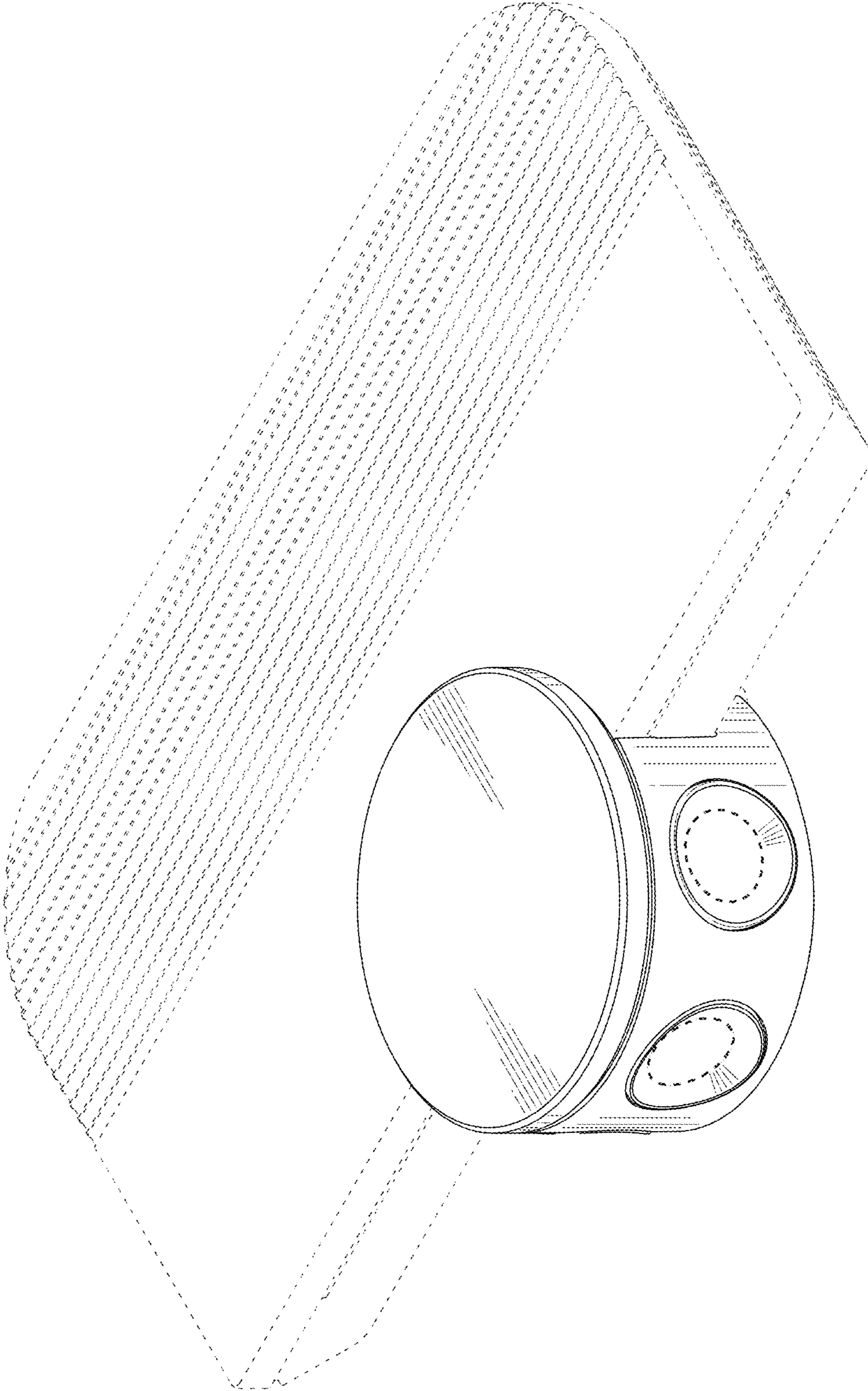


FIG. 1

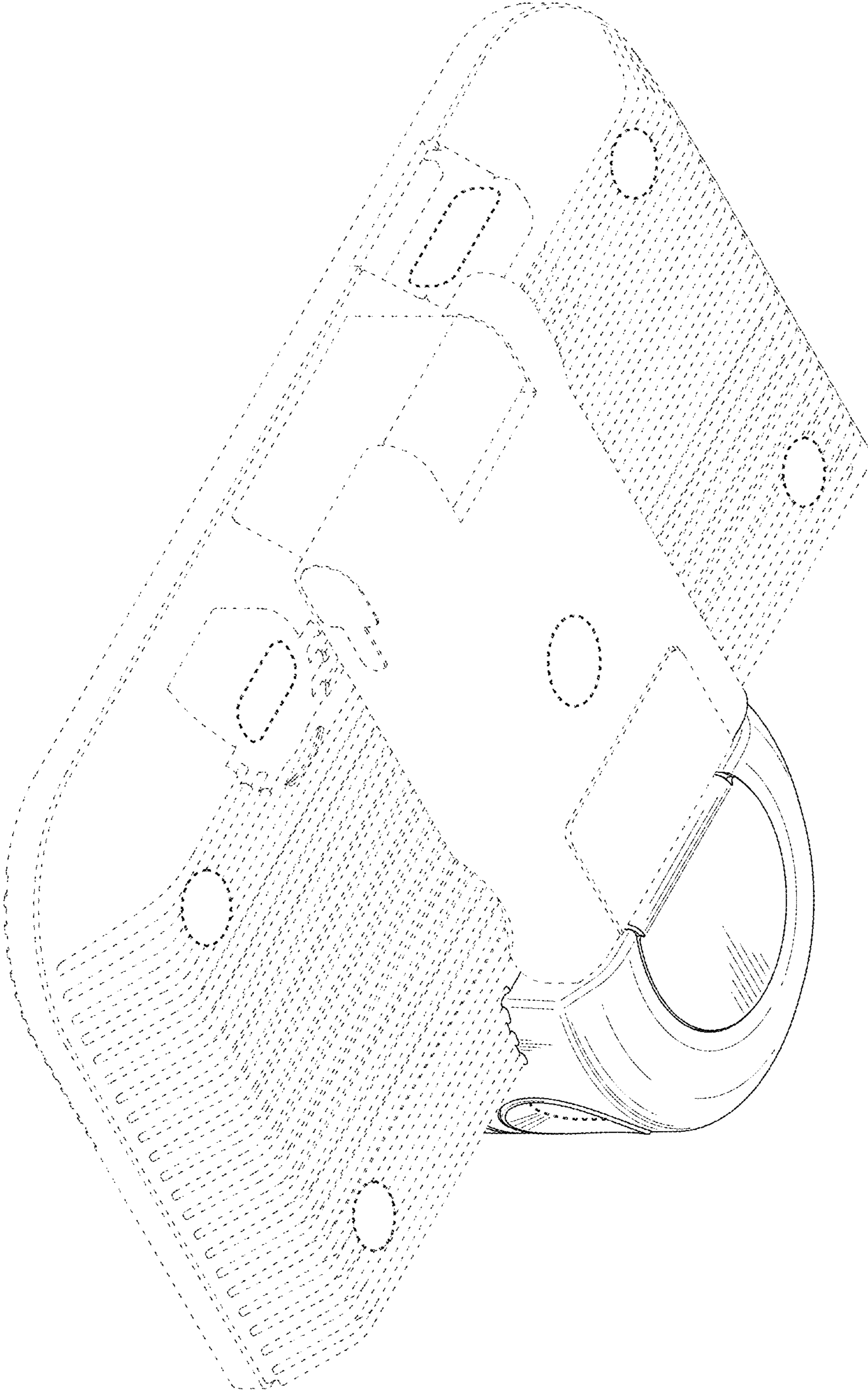


FIG. 2

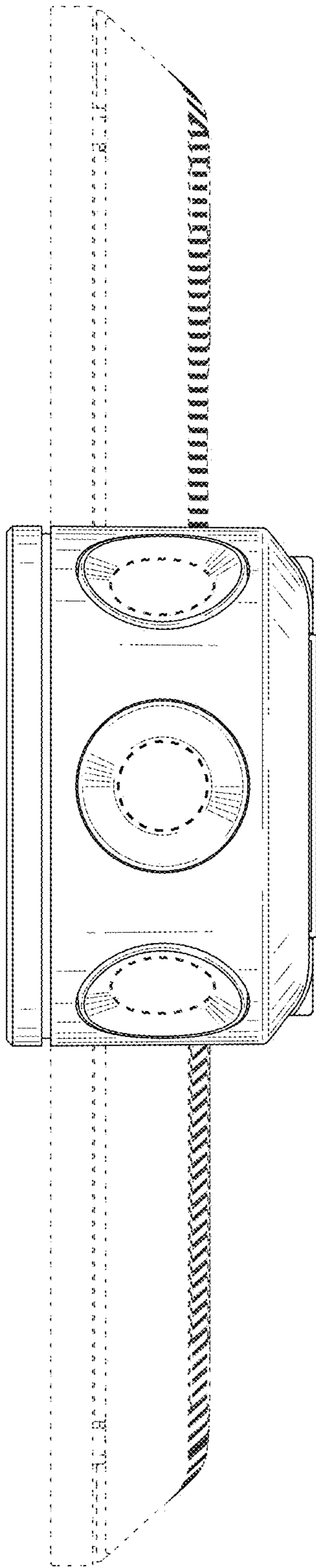


FIG. 3

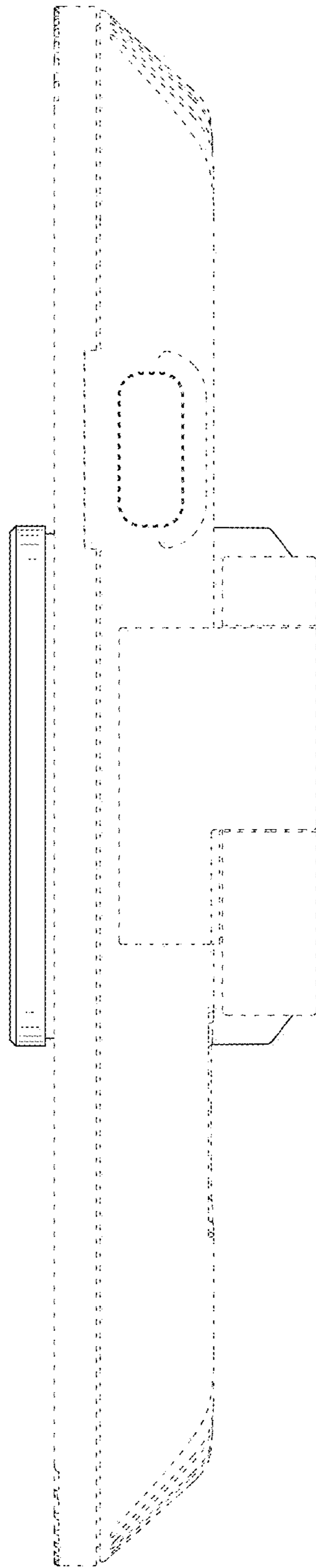


FIG. 4

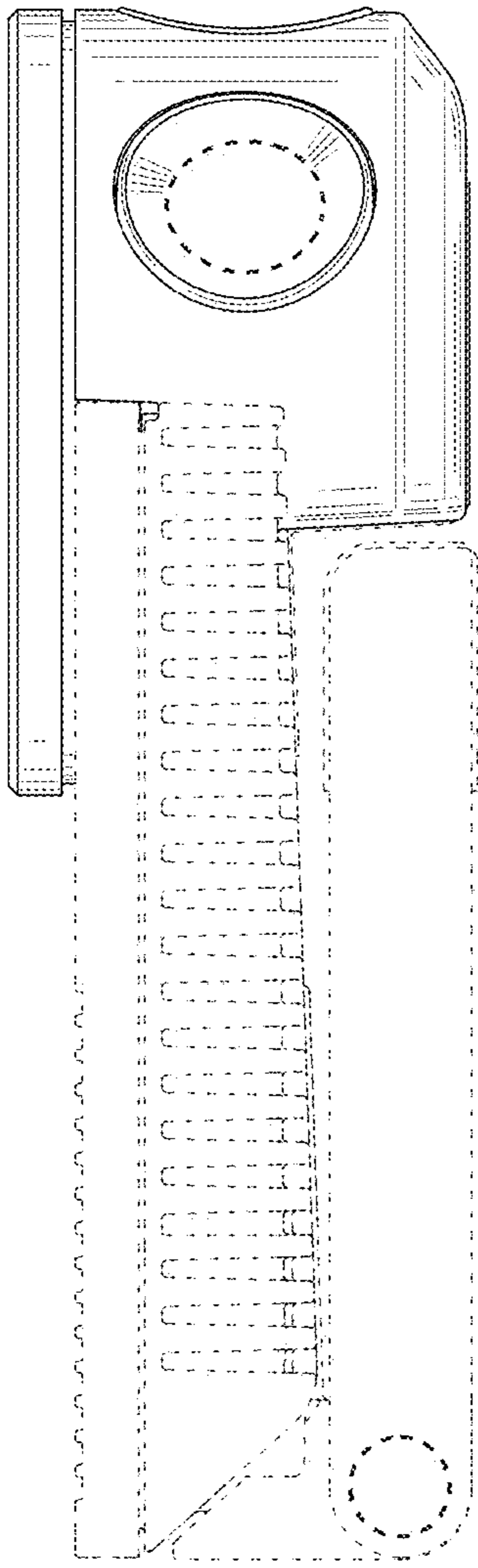


FIG. 5

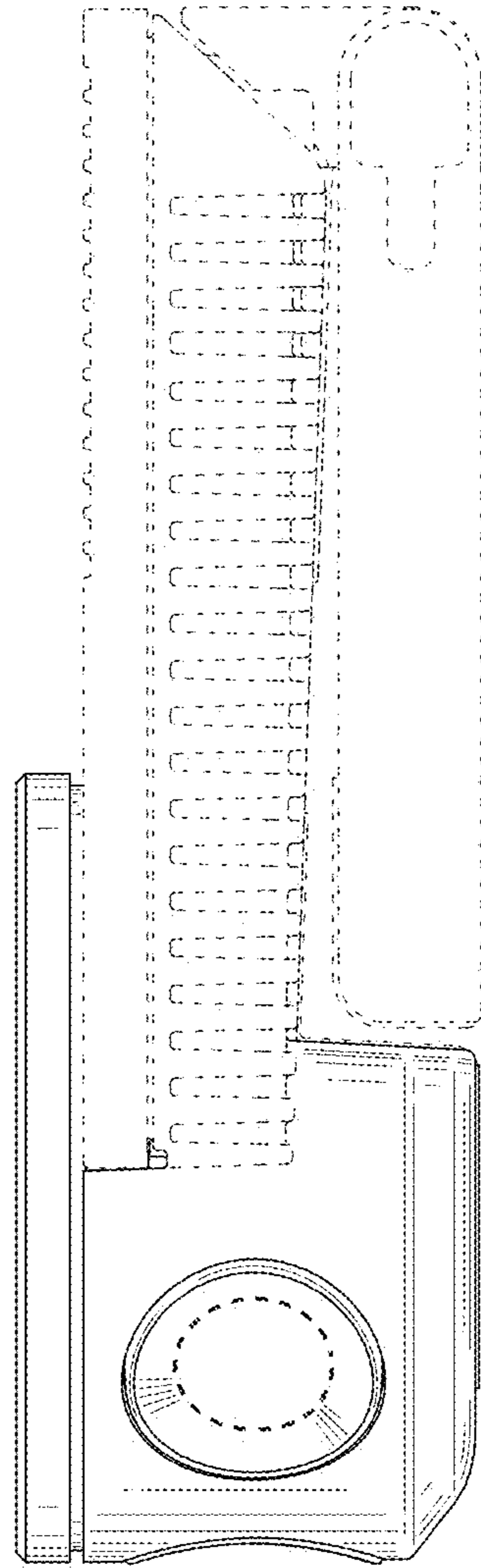


FIG. 6

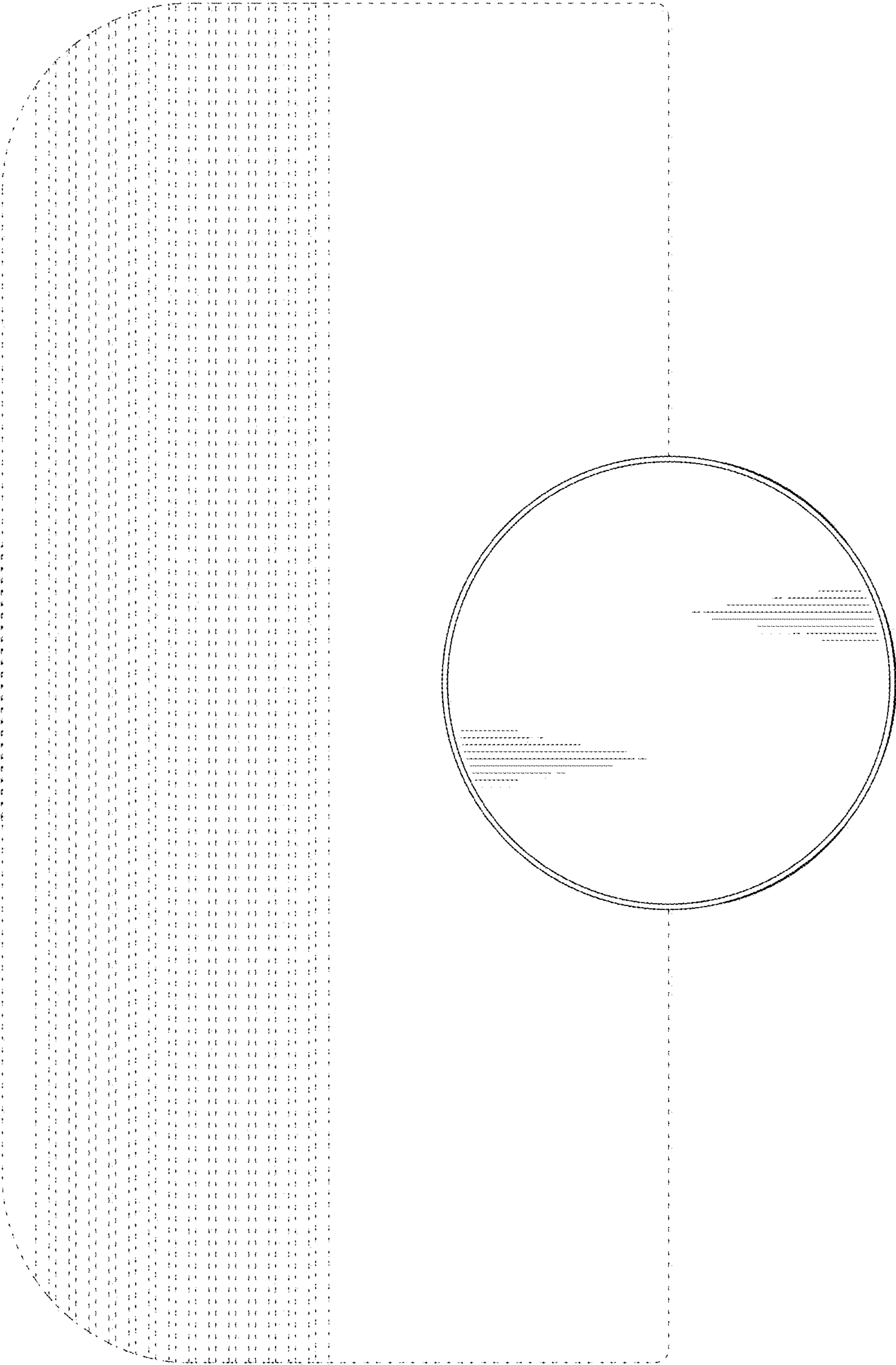


FIG. 7

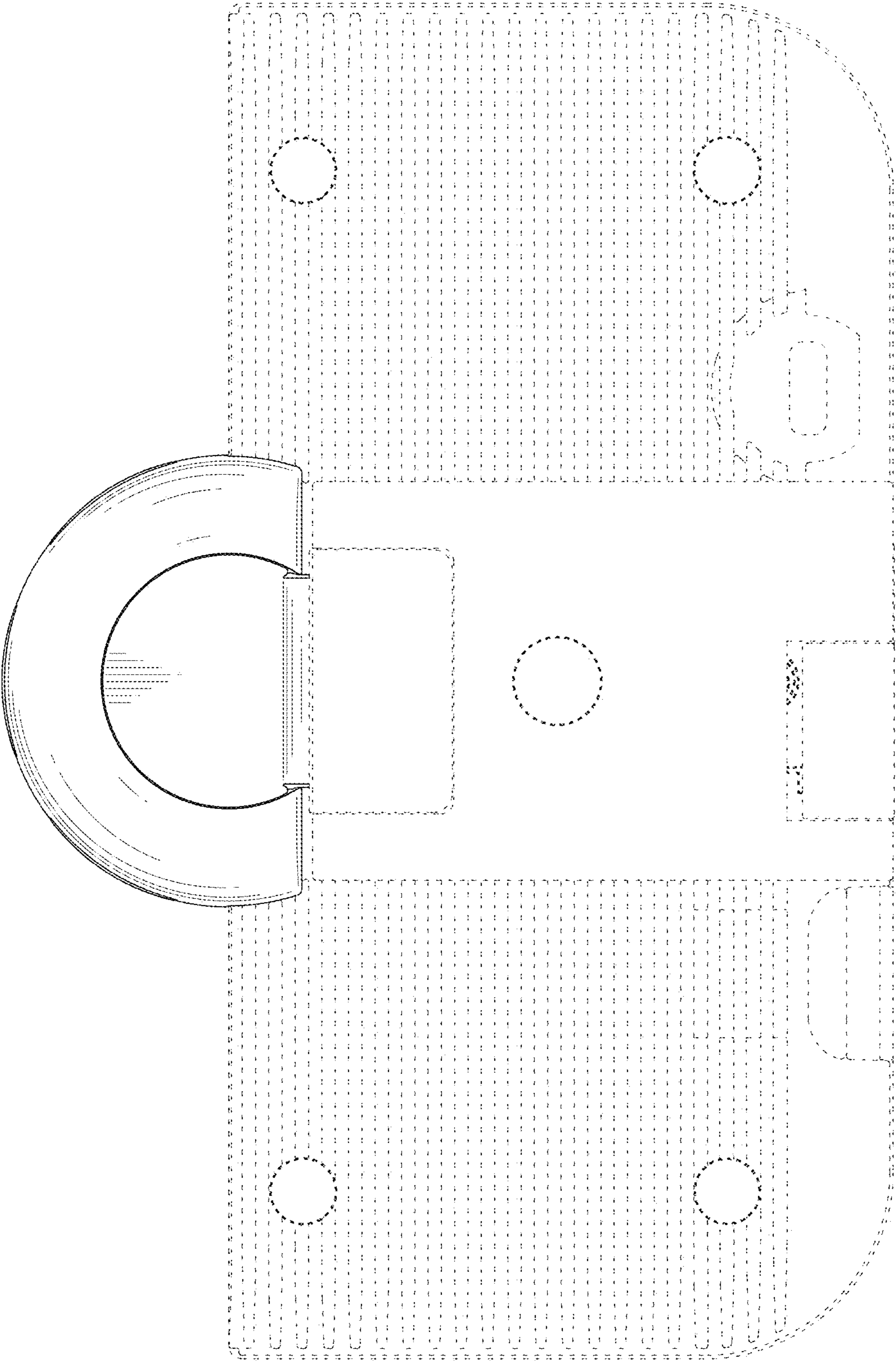


FIG. 8