



US00D951327S

(12) **United States Design Patent**
Sponring

(10) **Patent No.:** **US D951,327 S**

(45) **Date of Patent:** **** May 10, 2022**

(54) **CAMERA**

(71) Applicant: **GN Audio A/S**, Ballerup (DK)

(72) Inventor: **Otto Sponring**, Ballerup (DK)

(73) Assignee: **GN AUDIO A/S**, Ballerup (DK)

(**) Term: **15 Years**

(21) Appl. No.: **29/805,047**

(22) Filed: **Aug. 24, 2021**

Related U.S. Application Data

(62) Division of application No. 29/719,547, filed on Jan. 6, 2020, now Pat. No. Des. 931,926.

(51) **LOC (13) Cl.** **16-01**

(52) **U.S. Cl.**
USPC **D16/202**; D16/218

(58) **Field of Classification Search**
USPC D16/200, 202–203, 208, 218, 219, 242;
348/14.01–14.6, 143, 148, 151, 373–376;
396/419, 427, 428, 535, 539–541
CPC G03B 17/02; G03B 19/04; G03B 17/56;
G03B 17/04; G03B 15/03; H04N
2101/00; H04N 2007/145; H04N 7/141;
H04N 7/142; H04N 7/147; H04N 7/148;
H04N 7/15; H04N 7/152
See application file for complete search history.

(56) **References Cited**

U.S. PATENT DOCUMENTS

D632,719 S	2/2011	Tsai et al.	
D643,456 S *	8/2011	Won	D16/218
D682,332 S	5/2013	Wang et al.	
8,475,059 B2	7/2013	Khamsepoor et al.	
D712,951 S	9/2014	Chou et al.	
D744,573 S *	12/2015	Matsumiya	D16/218
D745,586 S *	12/2015	Chou	D16/202

D783,075 S	4/2017	Maxwell et al.	
D795,162 S *	8/2017	Kwon	D12/400
D803,805 S *	11/2017	Coffey	D14/130
D849,089 S	5/2019	Lu	
D870,790 S	12/2019	Depay et al.	
D874,541 S *	2/2020	Kapuria	D16/208
D893,577 S *	8/2020	Dearsley	D16/218
D902,971 S	11/2020	Voron et al.	
D907,089 S	1/2021	Michaelian et al.	
D907,090 S	1/2021	Zheng et al.	
D908,156 S	1/2021	Michaelian	
D909,445 S *	2/2021	Voron	D16/202
D909,446 S	2/2021	Ross et al.	
D910,730 S *	2/2021	Hao	D16/202
D912,717 S *	3/2021	Russo	D16/202
D924,299 S *	7/2021	Gartrell	D16/202
D926,244 S *	7/2021	Ross	D16/219
D929,482 S *	8/2021	Livaudais	D16/202

* cited by examiner

Primary Examiner — Ramzi Almatrahi

(74) *Attorney, Agent, or Firm* — Hamre, Schumann, Mueller & Larson, P.C.

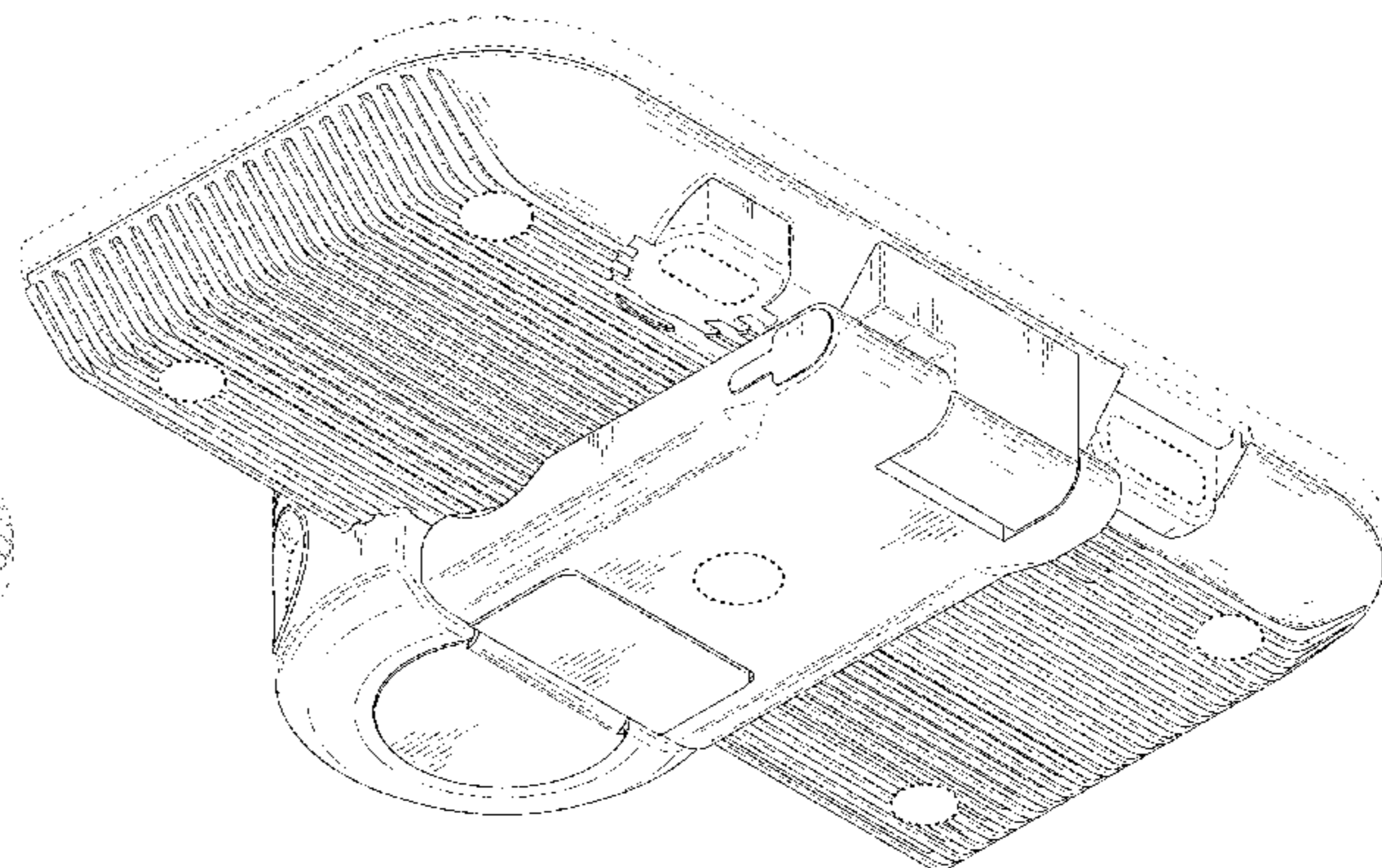
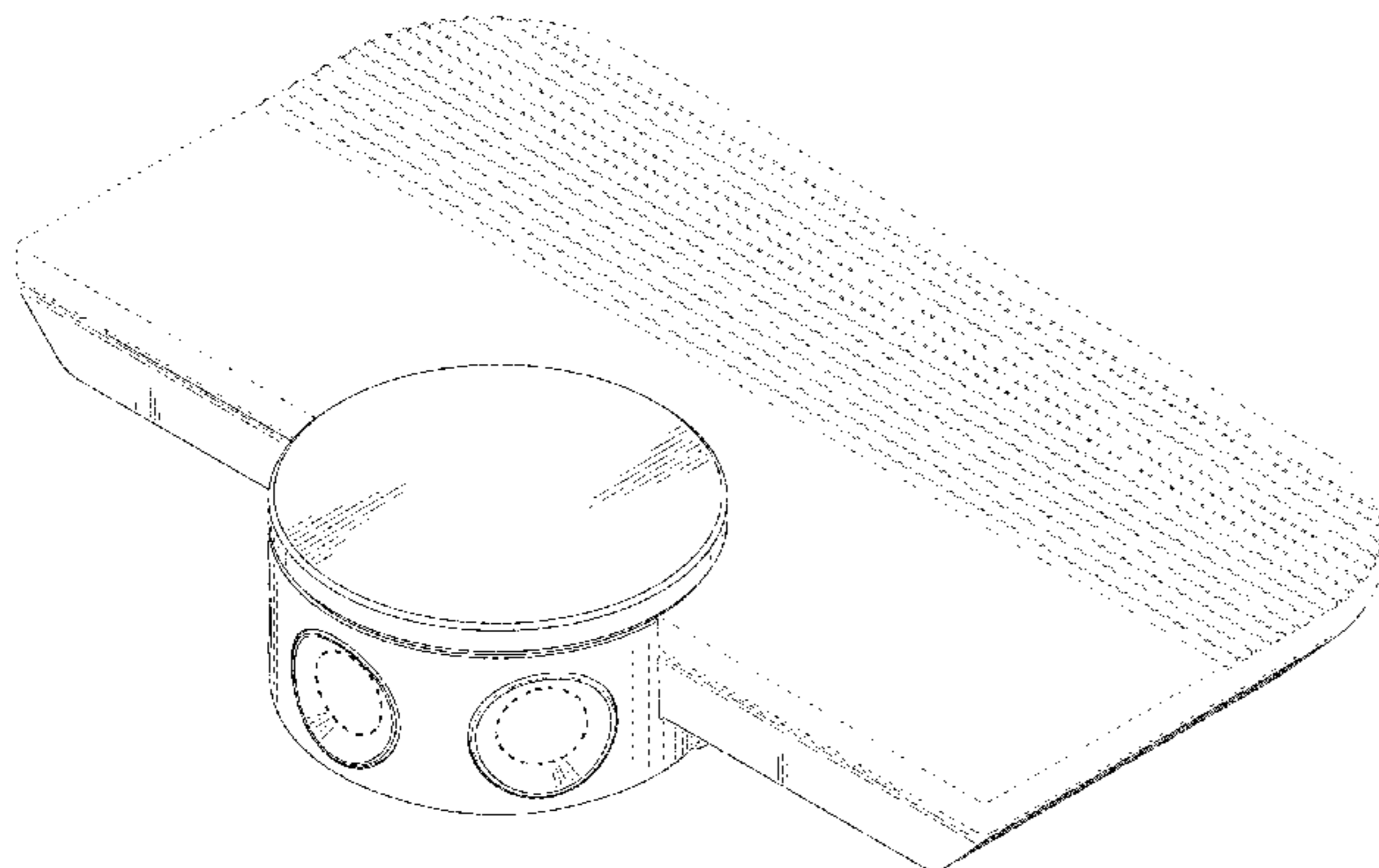
(57) **CLAIM**

The ornamental design for a camera, as shown and described.

DESCRIPTION

FIG. 1 is a top, front and right side isometric view of a camera;
FIG. 2 is a bottom, rear and right side isometric view thereof;
FIG. 3 is a front elevation view thereof;
FIG. 4 is a rear elevation view thereof;
FIG. 5 is a left side elevation view thereof;
FIG. 6 is a right side elevation view thereof;
FIG. 7 is a top plan view thereof; and,
FIG. 8 is a bottom plan view thereof.
The broken lines depict portions of the camera that form no part of the claimed design.

1 Claim, 6 Drawing Sheets



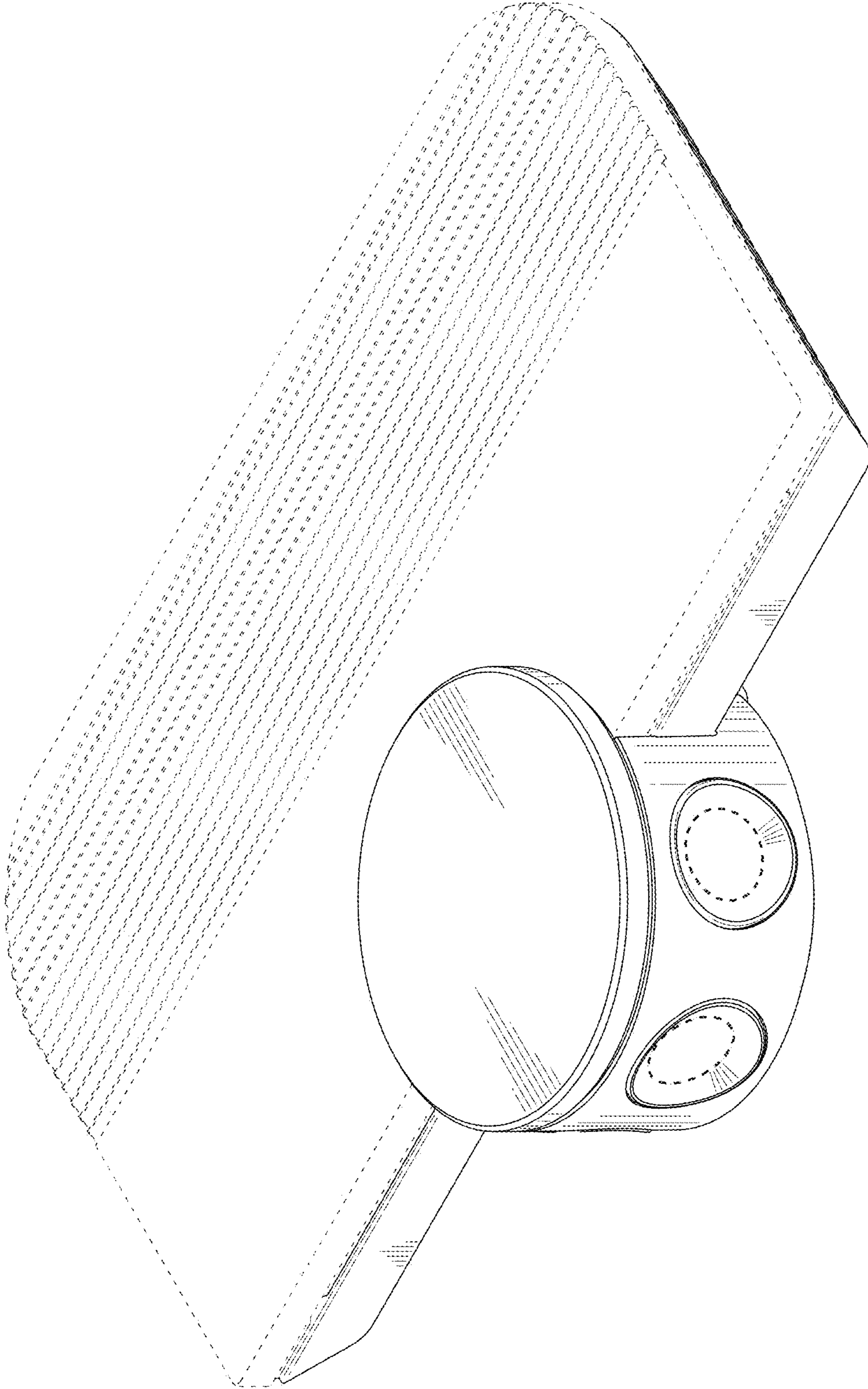


FIG. 1

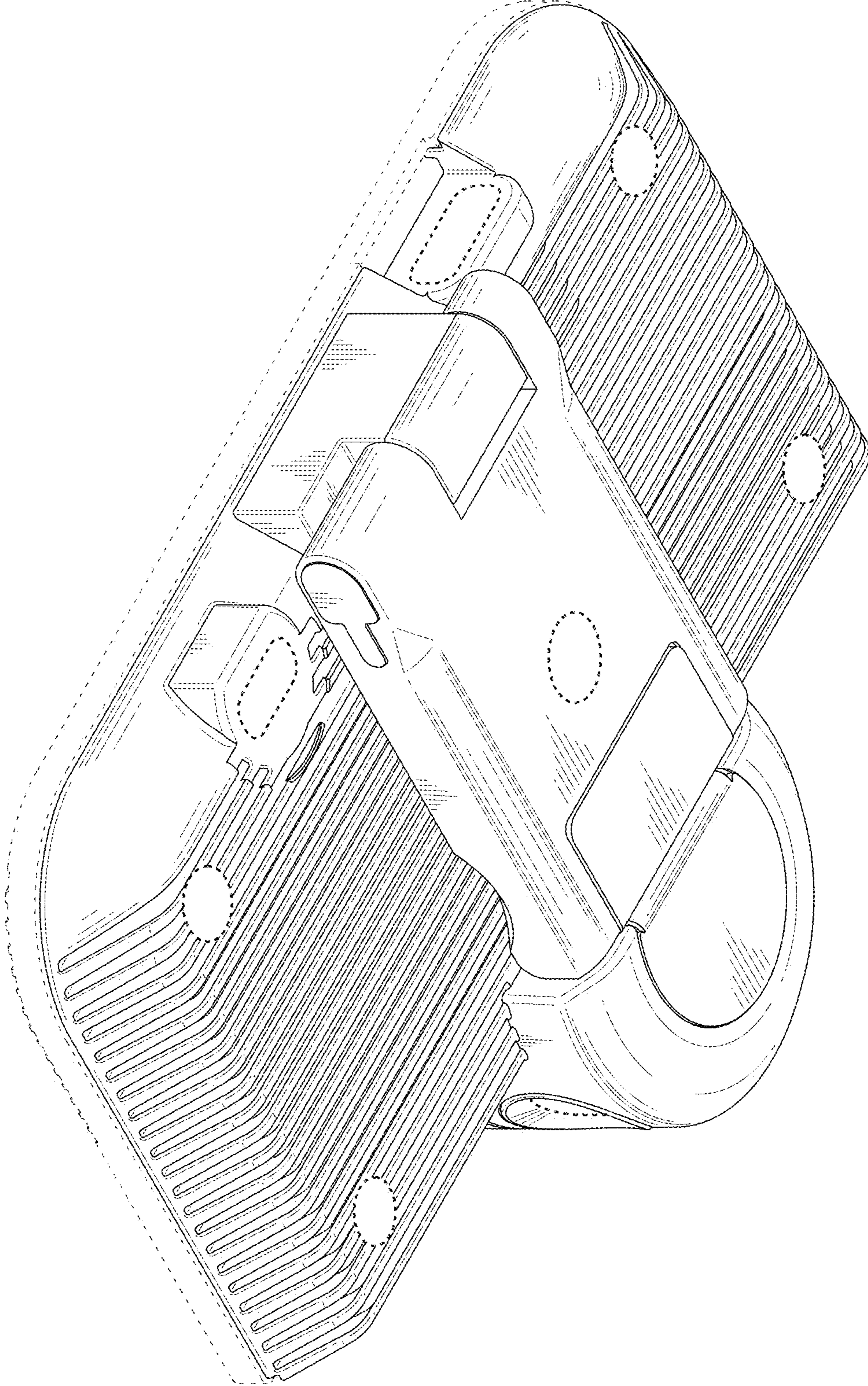


FIG. 2

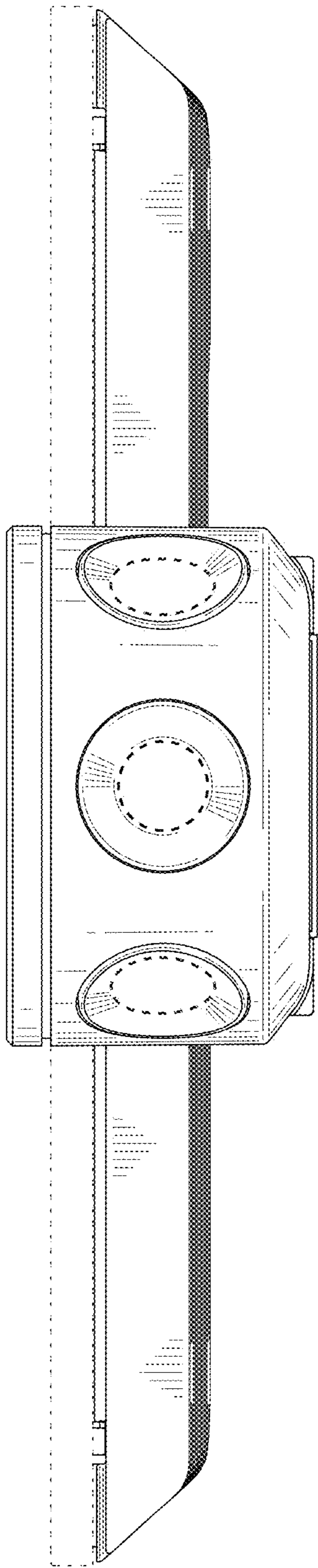


FIG. 3

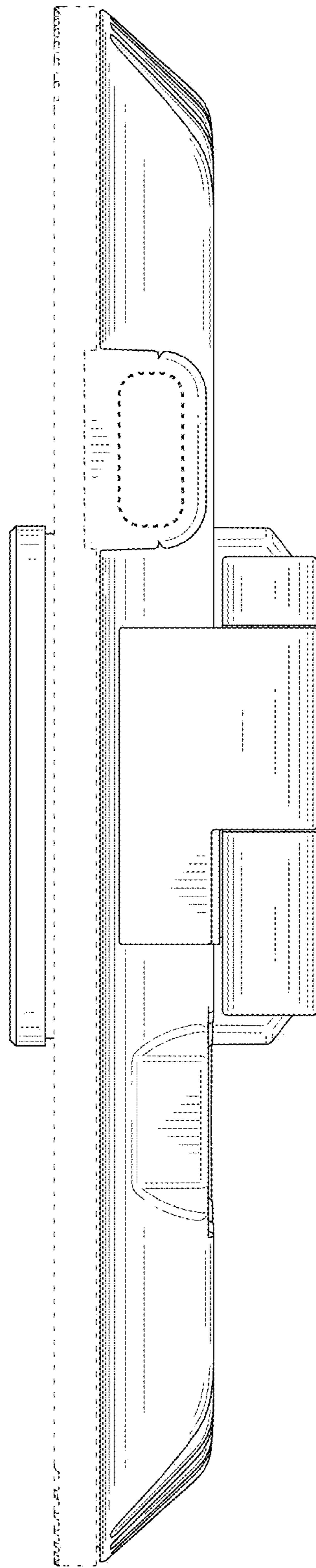


FIG. 4

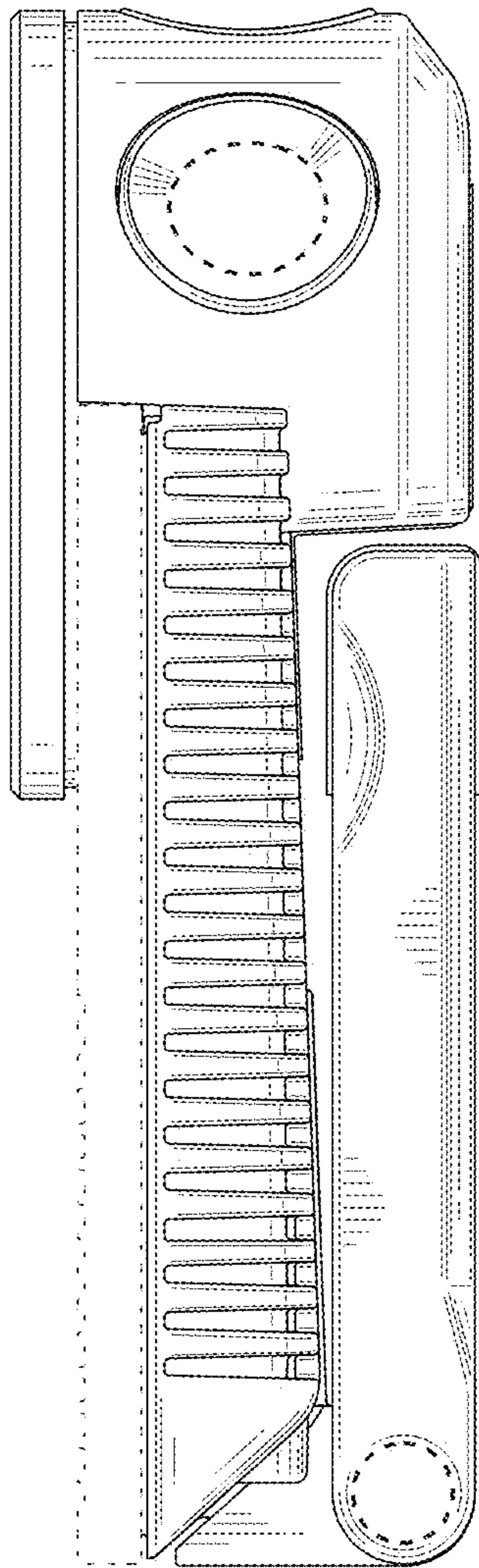


FIG. 5

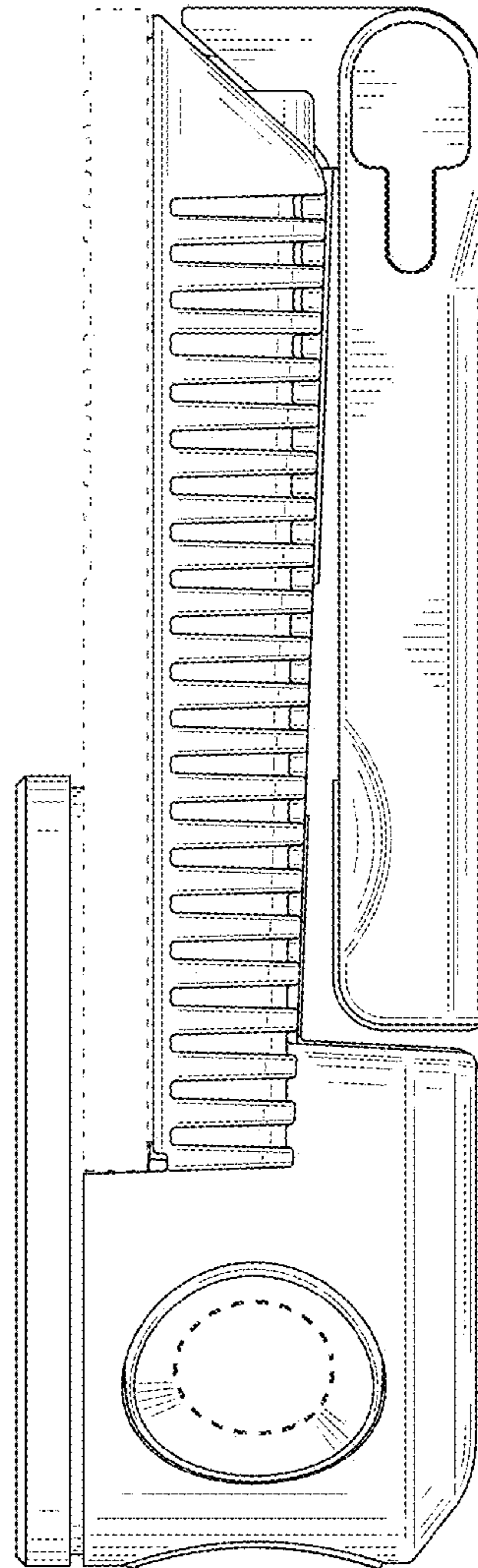


FIG. 6

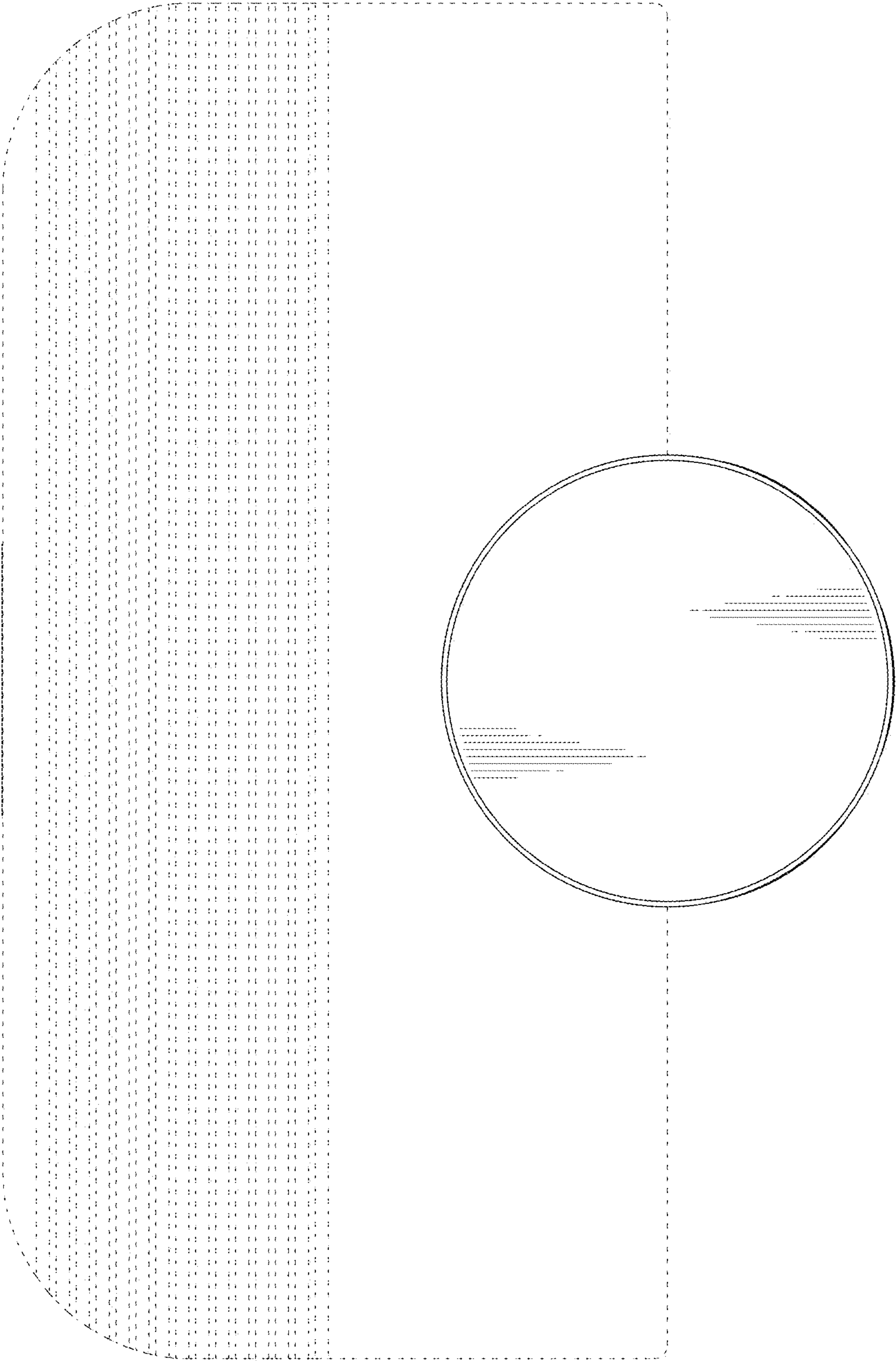


FIG. 7

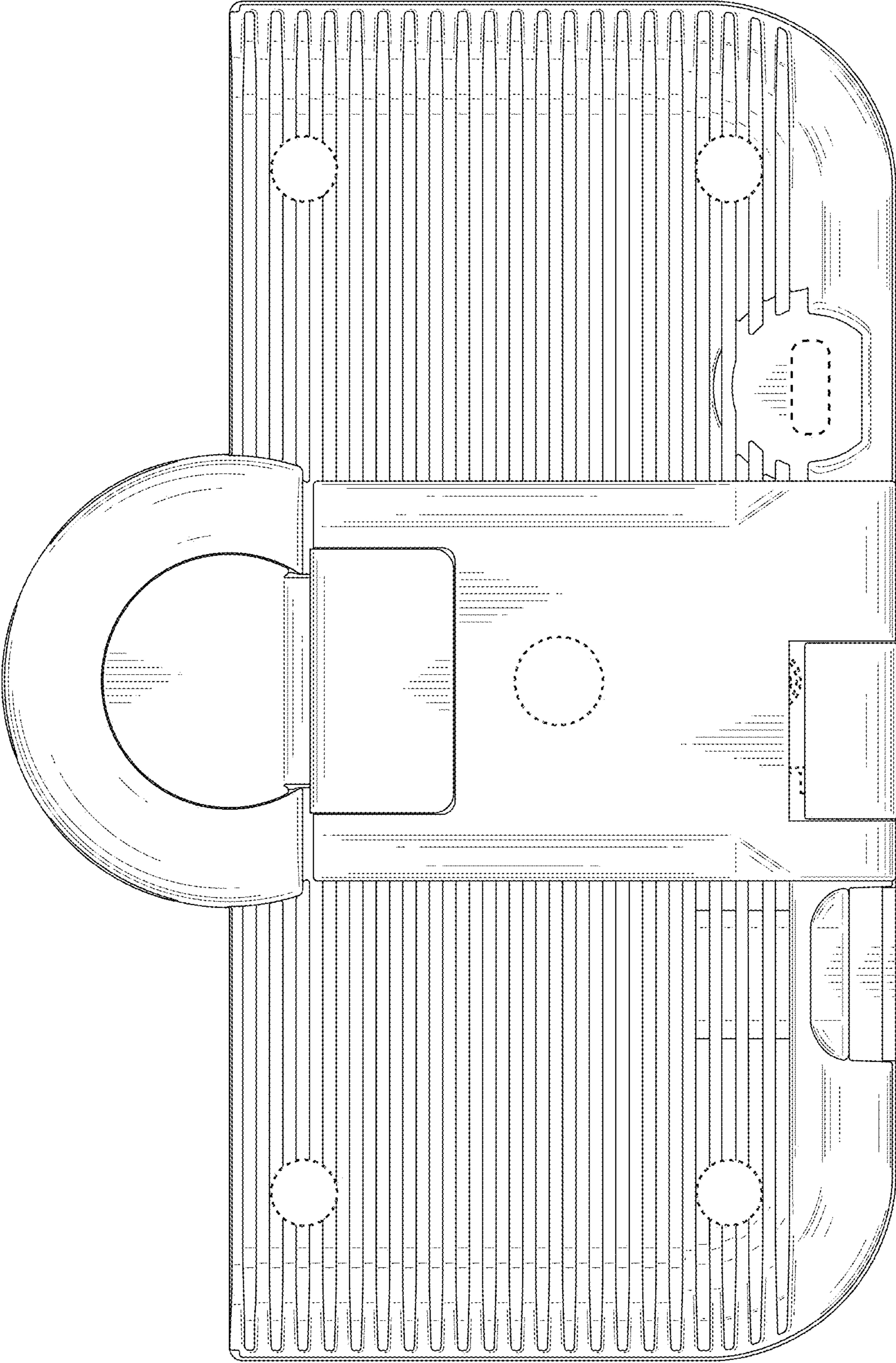


FIG. 8