



US00D951326S

(12) **United States Design Patent** (10) **Patent No.:** **US D951,326 S**
Sponring (45) **Date of Patent:** **** May 10, 2022**

- (54) **CAMERA**
- (71) Applicant: **GN Audio A/S**, Ballerup (DK)
- (72) Inventor: **Otto Sponring**, Ballerup (DK)
- (73) Assignee: **GN AUDIO A/S**, Ballerup (DK)
- (**) Term: **15 Years**
- (21) Appl. No.: **29/805,046**
- (22) Filed: **Aug. 24, 2021**

Related U.S. Application Data

- (62) Division of application No. 29/719,547, filed on Jan. 6, 2020, now Pat. No. Des. 931,926.
- (51) **LOC (13) Cl.** **16-01**
- (52) **U.S. Cl.**
USPC **D16/202**; D16/218
- (58) **Field of Classification Search**
USPC D16/200, 202–203, 208, 218, 219, 242;
348/14.01–14.6, 143, 148, 151, 373–376;
396/419, 427, 428, 535, 539–541
CPC G03B 17/02; G03B 19/04; G03B 17/56;
G03B 17/04; G03B 15/03; H04N
2101/00; H04N 2007/145; H04N 7/141;
H04N 7/142; H04N 7/147; H04N 7/148;
H04N 7/15; H04N 7/152
See application file for complete search history.

(56) **References Cited**

U.S. PATENT DOCUMENTS

- D632,719 S 2/2011 Tsai et al.
- D643,456 S * 8/2011 Won D16/218
- D682,332 S 5/2013 Wang et al.
- 8,475,059 B2 7/2013 Khamsepoor et al.
- D712,951 S 9/2014 Chou et al.
- D744,573 S * 12/2015 Matsumiya D16/218
- D745,586 S * 12/2015 Chou D16/202

- D783,075 S 4/2017 Maxwell et al.
- D795,162 S * 8/2017 Kwon D12/400
- D803,805 S * 11/2017 Coffey D14/130
- D849,089 S 5/2019 Lu
- D870,790 S 12/2019 Depay et al.
- D874,541 S * 2/2020 Kapuria D16/208
- D893,577 S * 8/2020 Dearsley D16/218
- D902,971 S 11/2020 Voron et al.
- D907,089 S 1/2021 Michaelian et al.
- D907,090 S 1/2021 Zheng et al.
- D908,156 S 1/2021 Michaelian
- D909,445 S * 2/2021 Voron D16/202
- D909,446 S 2/2021 Ross et al.
- D910,730 S * 2/2021 Hao D16/202
- D912,717 S * 3/2021 Russo D16/202
- D924,299 S * 7/2021 Gartrell D16/202
- D926,244 S * 7/2021 Ross D16/219
- D929,482 S * 8/2021 Livaudais D16/202

* cited by examiner

Primary Examiner — Ramzi Almatrahi

(74) *Attorney, Agent, or Firm* — Hamre, Schumann, Mueller & Larson, P.C.

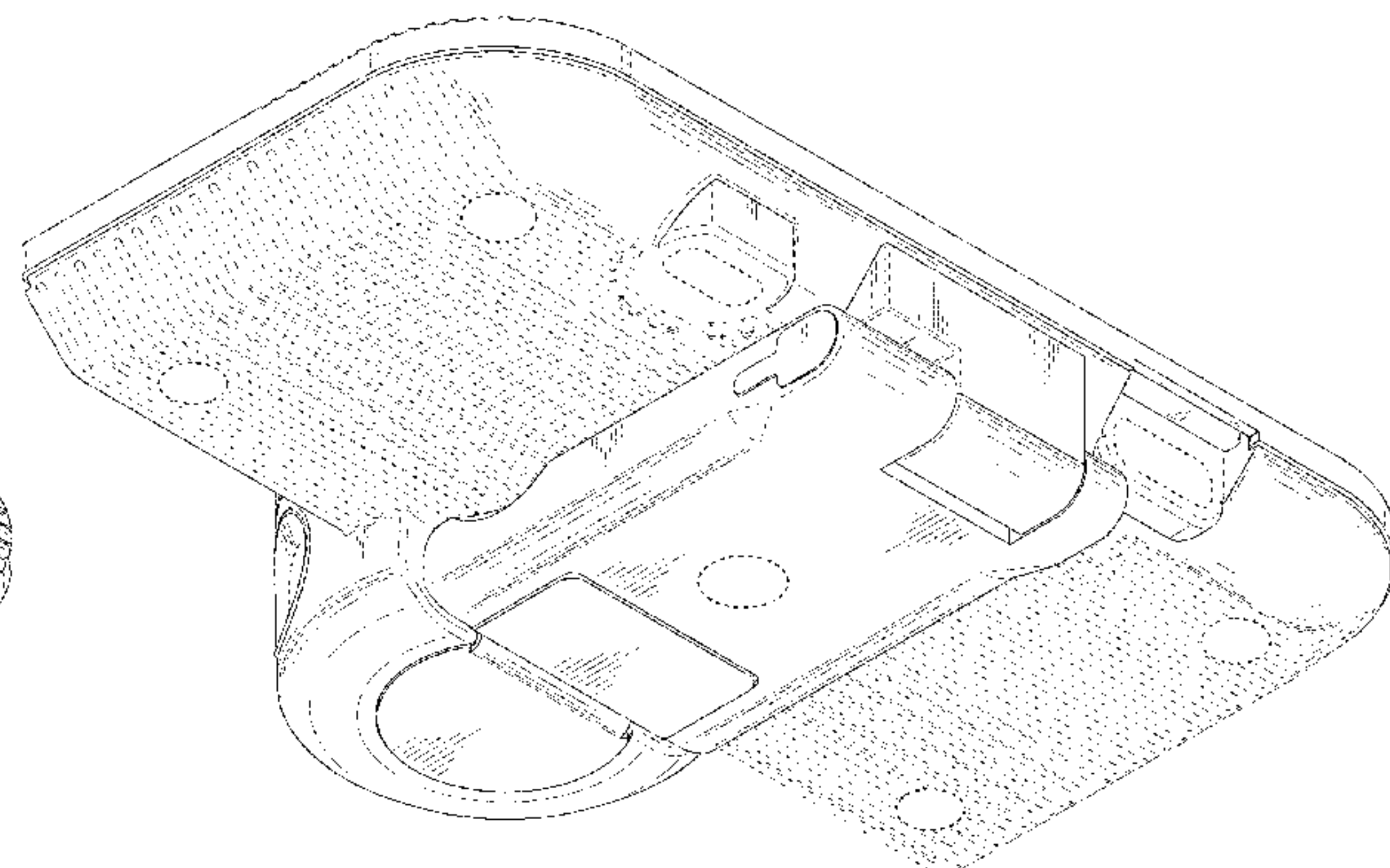
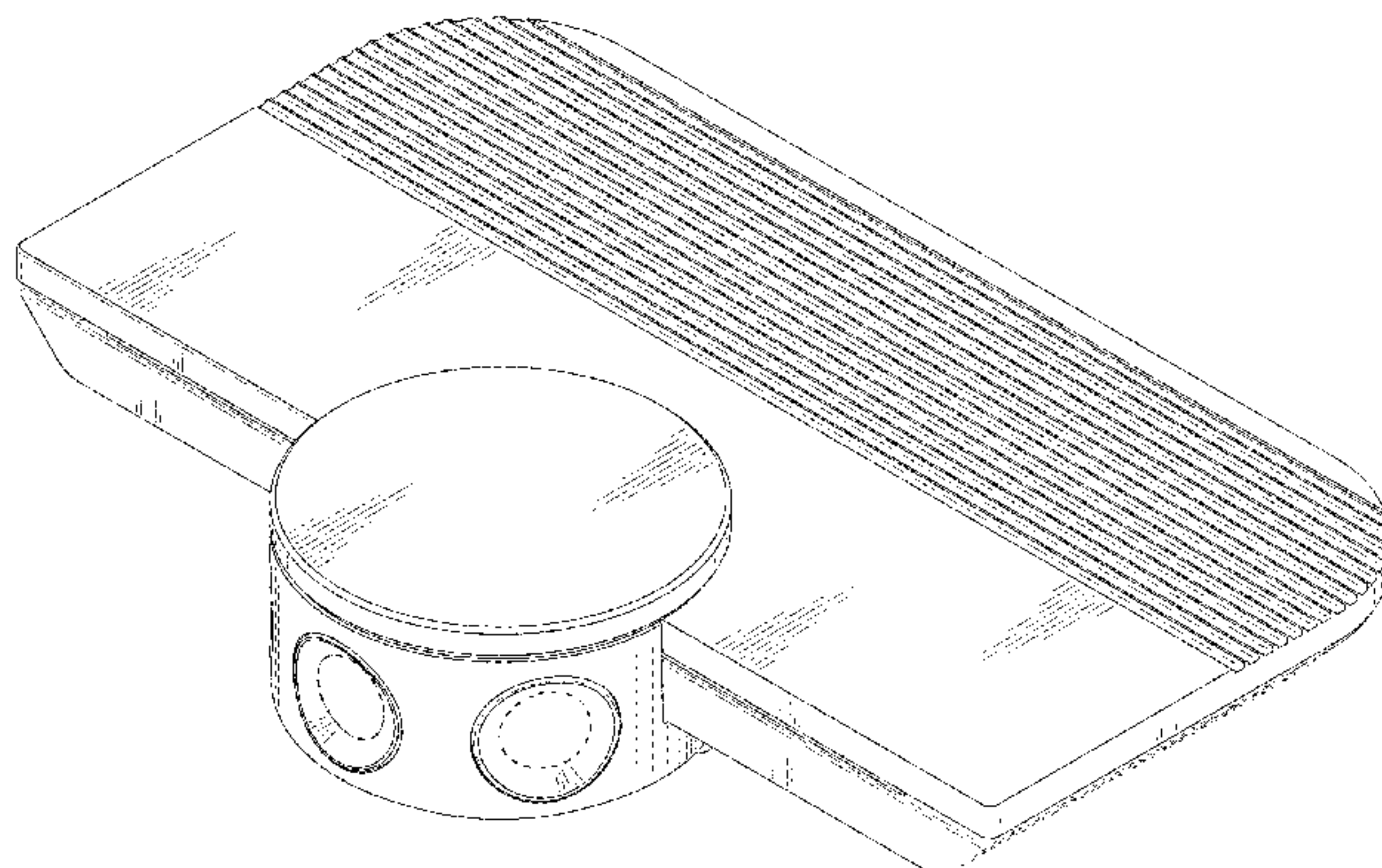
(57) **CLAIM**

The ornamental design for a camera, as shown and described.

DESCRIPTION

FIG. 1 is a top, front and right side isometric view of a camera;
 FIG. 2 is a bottom, rear and right side isometric view thereof;
 FIG. 3 is a front elevation view thereof;
 FIG. 4 is a rear elevation view thereof;
 FIG. 5 is a left side elevation view thereof;
 FIG. 6 is a right side elevation view thereof;
 FIG. 7 is a top plan view thereof; and,
 FIG. 8 is a bottom plan view thereof.
 The broken lines depict portions of the camera that form no part of the claimed design.

1 Claim, 6 Drawing Sheets



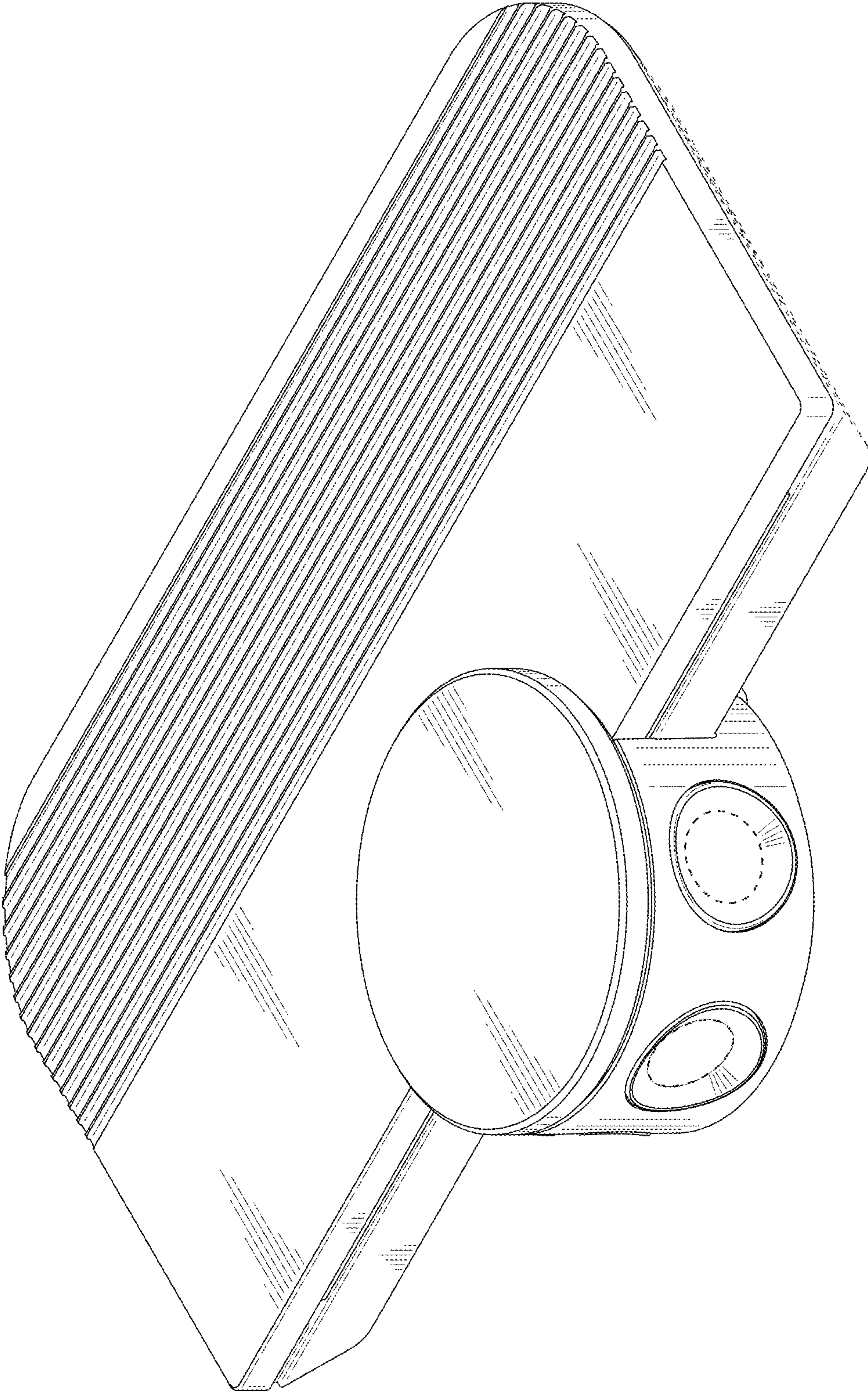


FIG. 1

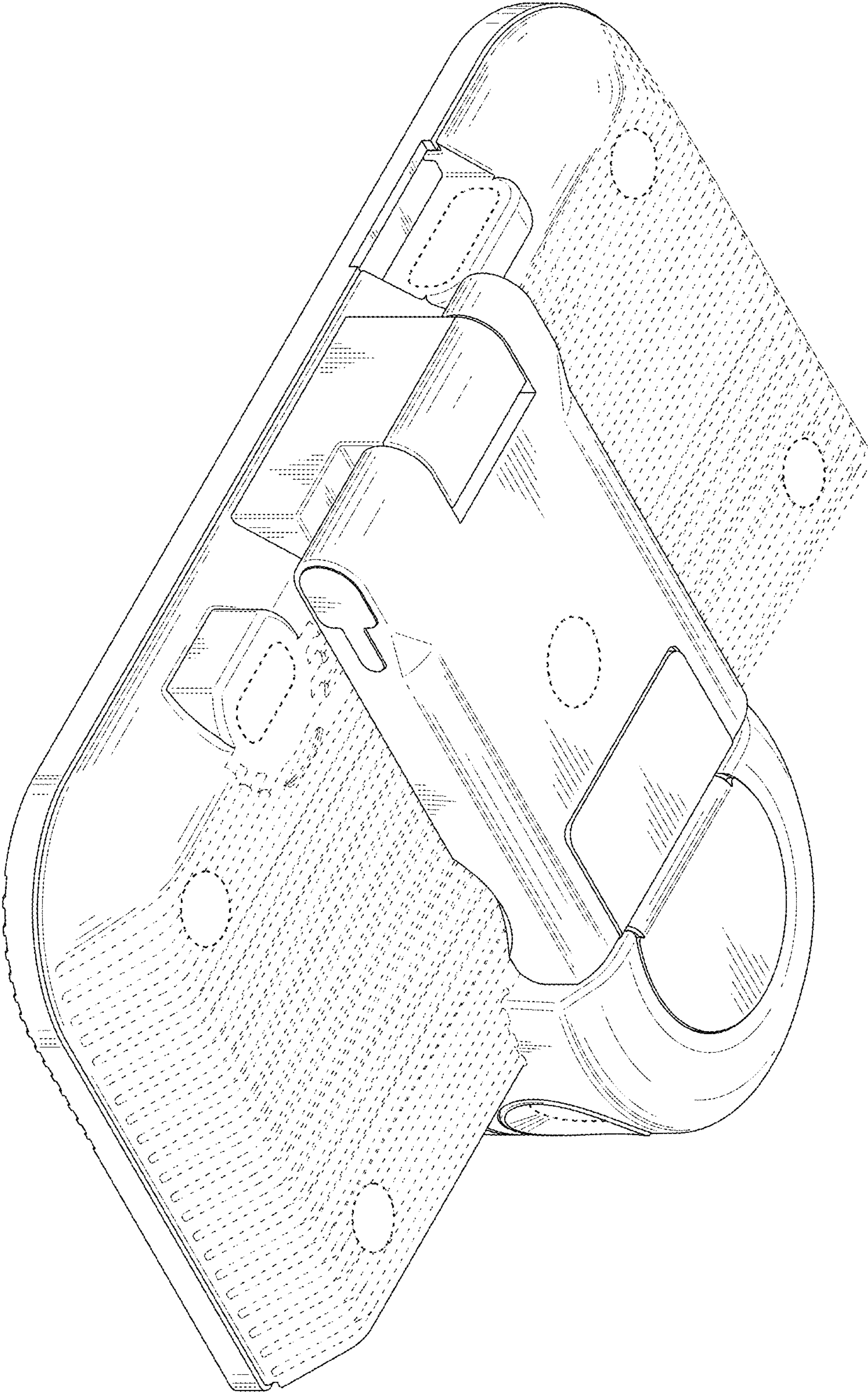


FIG. 2

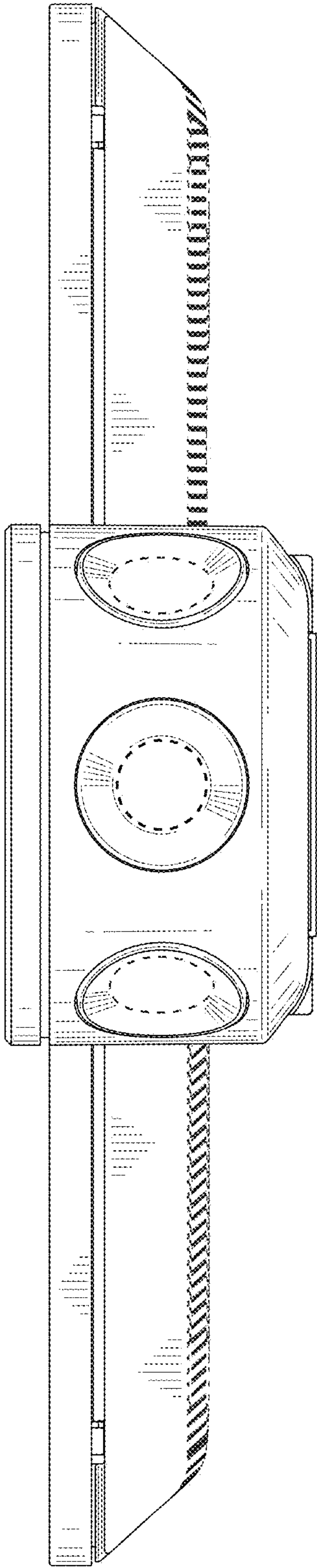


FIG. 3

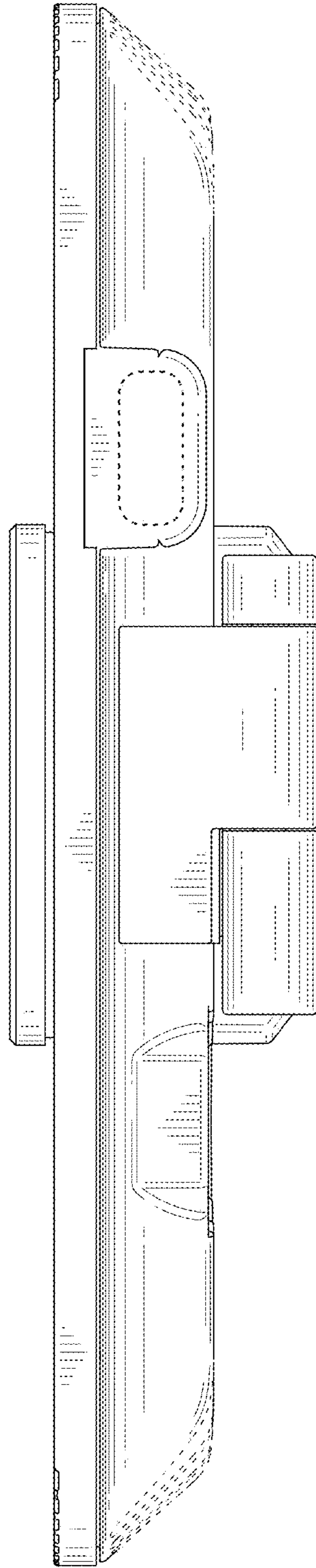


FIG. 4

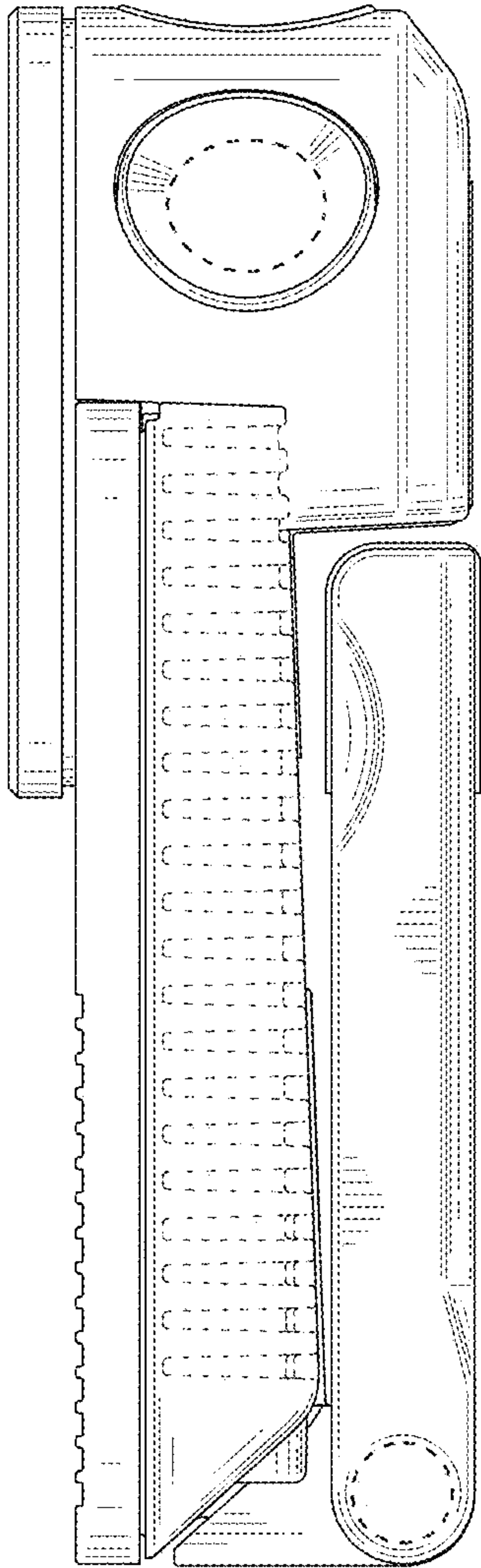


FIG. 5

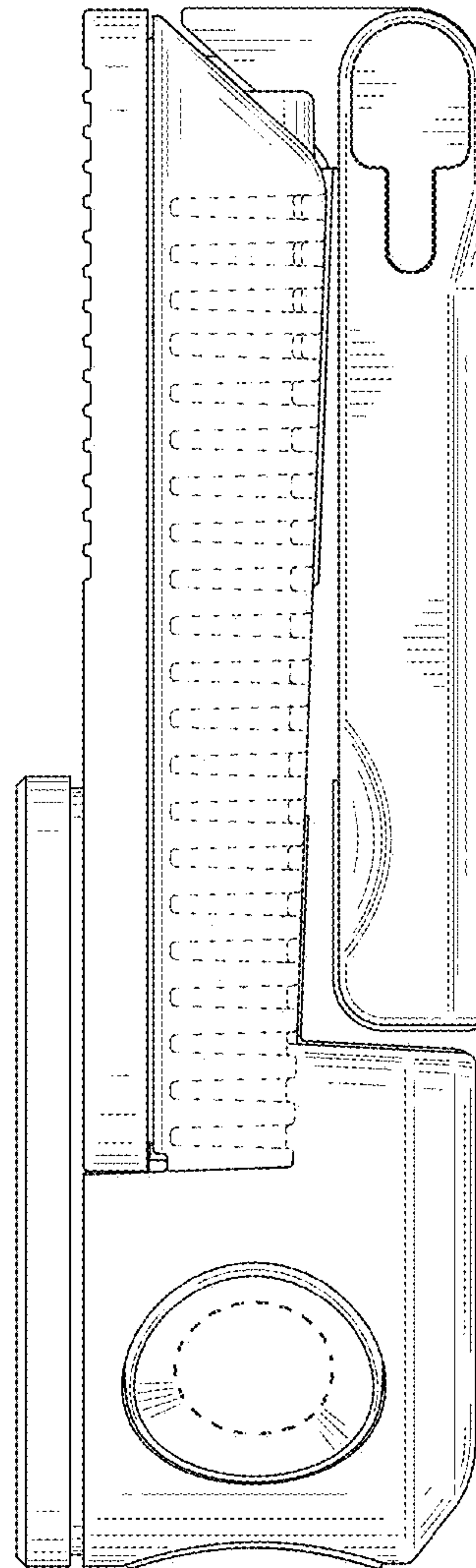


FIG. 6

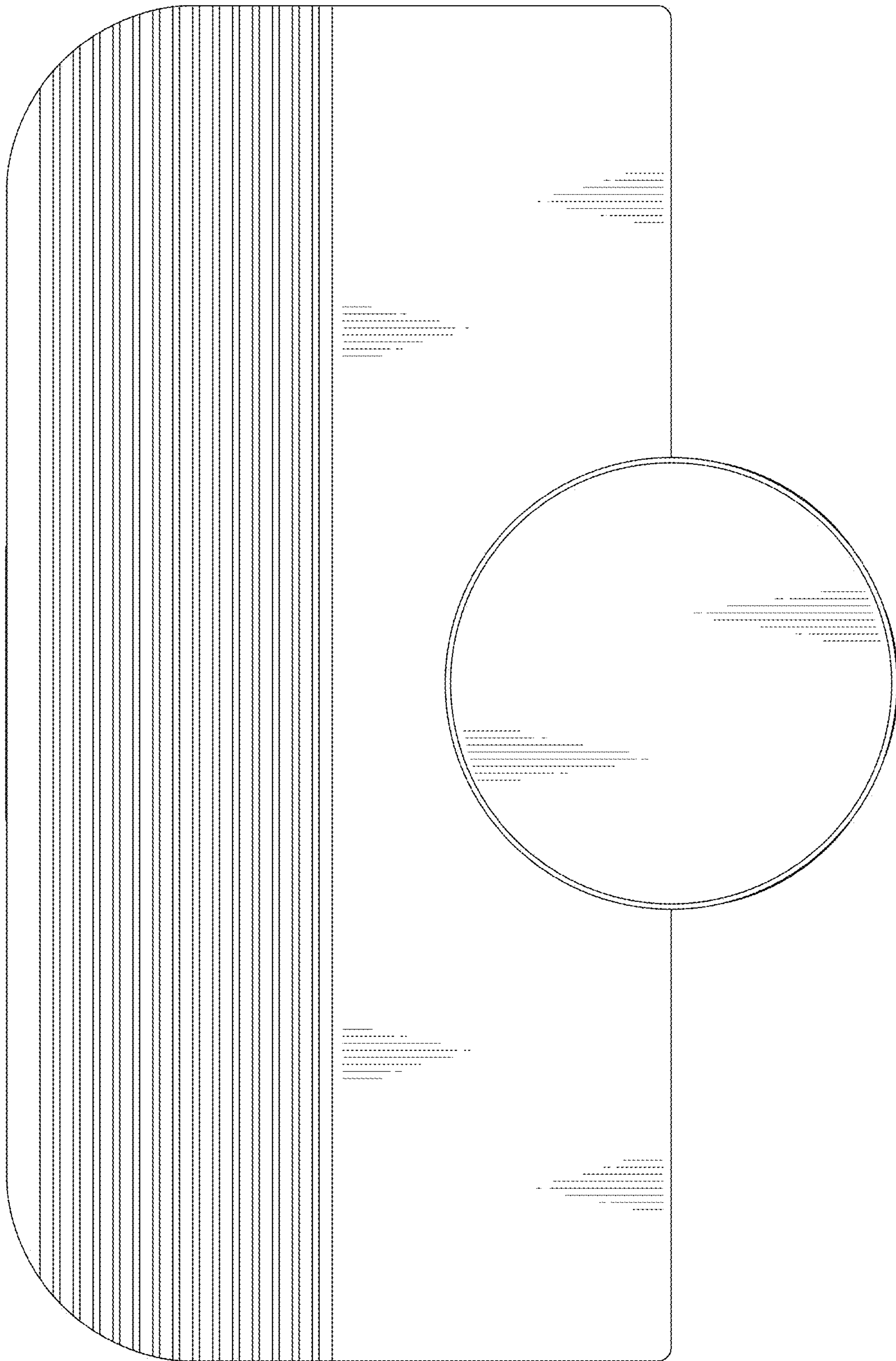


FIG. 7

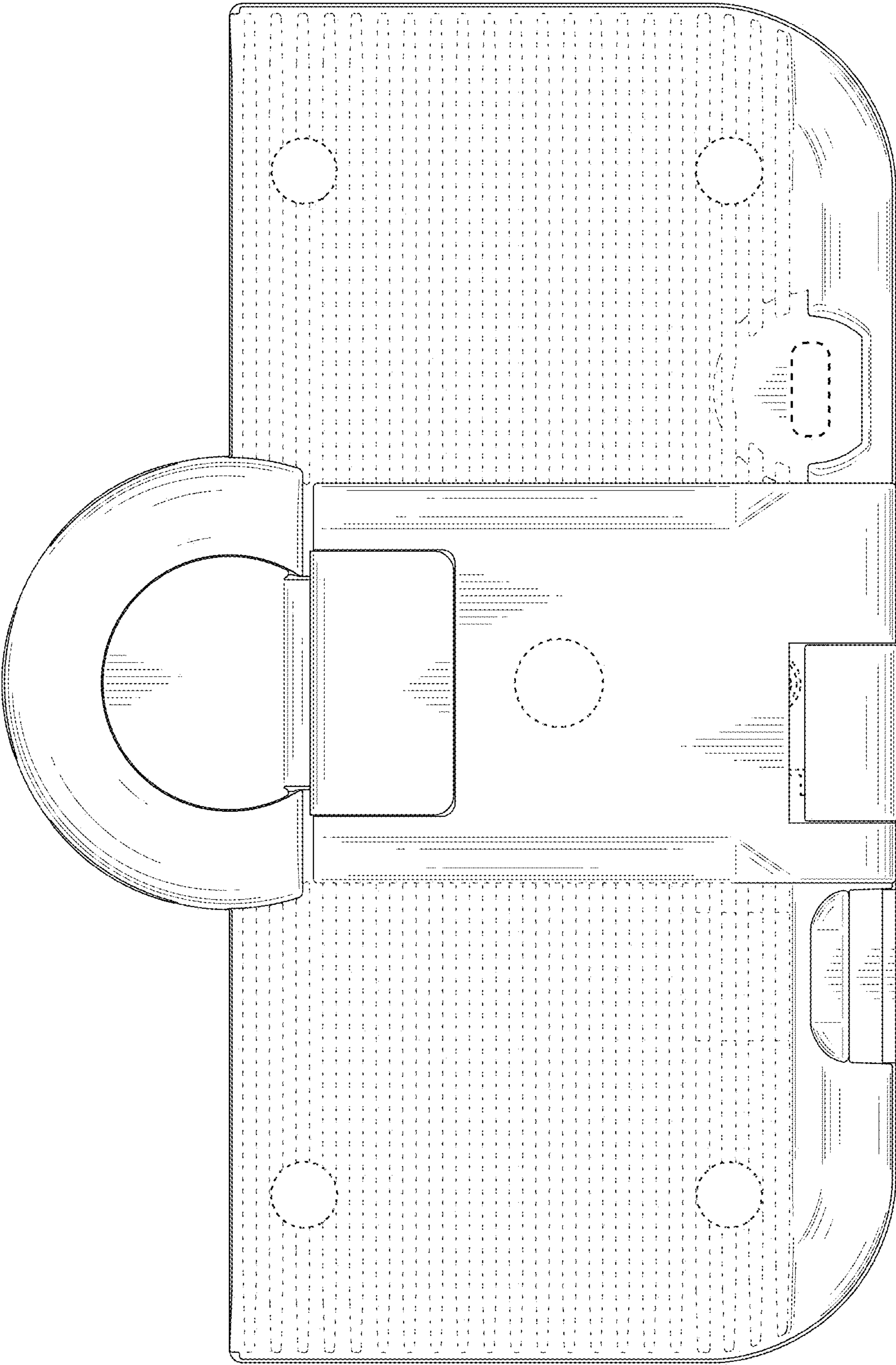


FIG. 8