



US00D951324S

(12) **United States Design Patent**
Wu

(10) **Patent No.:** **US D951,324 S**
(45) **Date of Patent:** **** May 10, 2022**

- (54) **CAMERA**
- (71) Applicant: **Jingshui Wu**, Nanshan Town (CN)
- (72) Inventor: **Jingshui Wu**, Nanshan Town (CN)
- (**) Term: **15 Years**
- (21) Appl. No.: **29/767,542**
- (22) Filed: **Jan. 22, 2021**
- (51) **LOC (13) Cl.** **16-01**
- (52) **U.S. Cl.**
USPC **D16/202**
- (58) **Field of Classification Search**
USPC D16/200, 202–203, 208, 218, 219, 242;
248/187.1; 348/14.01–14.6, 143, 148,
348/151, 373–376; 396/419, 427, 428,
396/535, 539–541
CPC G03B 17/02; G03B 19/04; G03B 17/56;
G03B 17/04; G03B 15/03; H04N
2101/00; H04N 2007/145; H04N 7/141;
H04N 7/142; H04N 7/147; H04N 7/148;
H04N 7/15; H04N 7/152
See application file for complete search history.

(56) **References Cited**

U.S. PATENT DOCUMENTS

D654,942 S	*	2/2012	Khamsepoor	D16/202
D665,439 S	*	8/2012	Khamsepoor	D16/202
D675,660 S	*	2/2013	Su	D16/202
D678,380 S	*	3/2013	Pardo	D16/202
D680,144 S	*	4/2013	Tsai	D16/202
D682,332 S	*	5/2013	Wang	D16/202
D694,796 S	*	12/2013	Tsai	D16/202
D709,117 S	*	7/2014	Gan	D16/202
D783,075 S	*	4/2017	Maxwell	D16/202
D785,693 S		5/2017	Kim		

D822,745 S	*	7/2018	Shang	D16/208
D822,749 S		7/2018	Jacob et al.		
D849,089 S	*	5/2019	Lu	D16/202
D881,970 S		4/2020	Peng		
D882,664 S		4/2020	Tang et al.		
D901,571 S		11/2020	Liu		
D902,973 S		11/2020	Homza et al.		
D902,976 S		11/2020	Han		
D903,737 S		12/2020	Han		
D904,490 S		12/2020	Mao et al.		
D907,091 S		1/2021	Lv et al.		
D910,730 S	*	2/2021	Hao	D16/202
D929,482 S	*	8/2021	Livaudais	D16/202

* cited by examiner

Primary Examiner — Ramzi Almatrahi

(74) *Attorney, Agent, or Firm* — Law Offices of Steven W. Weinrieb

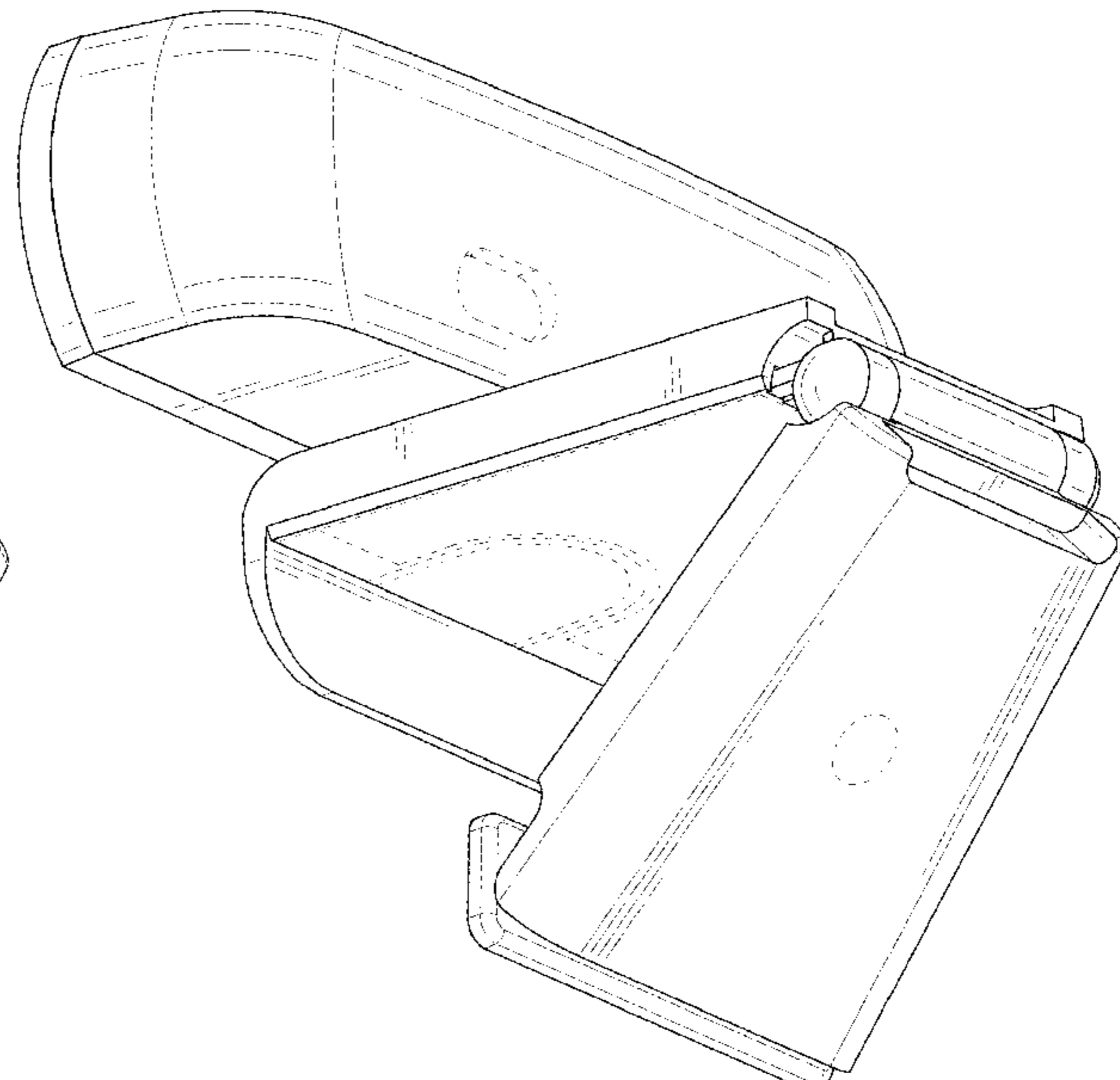
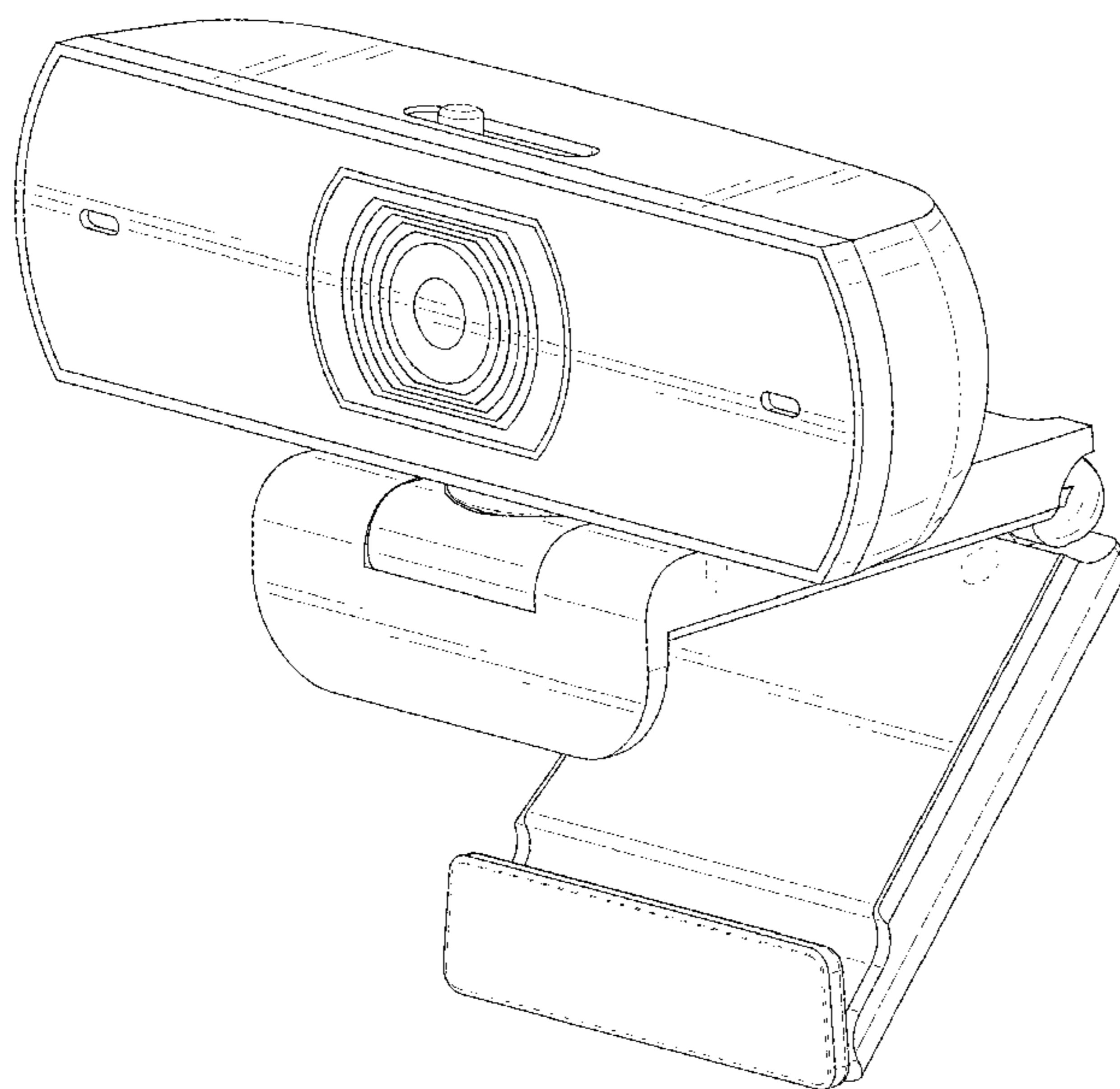
(57) **CLAIM**

The ornamental design for a camera, as shown and described.

DESCRIPTION

FIG. 1 is a top, front and right side perspective view of a camera showing my new design;
 FIG. 2 is a bottom, rear and right side perspective view thereof;
 FIG. 3 is a front elevational view thereof;
 FIG. 4 is a rear elevational view thereof;
 FIG. 5 is a left side elevational view thereof;
 FIG. 6 is a right side elevational view thereof;
 FIG. 7 is a top plan view thereof; and,
 FIG. 8 is a bottom plan view thereof.
 The broken lines depict portions of the camera that form no part of the claimed design.

1 Claim, 8 Drawing Sheets



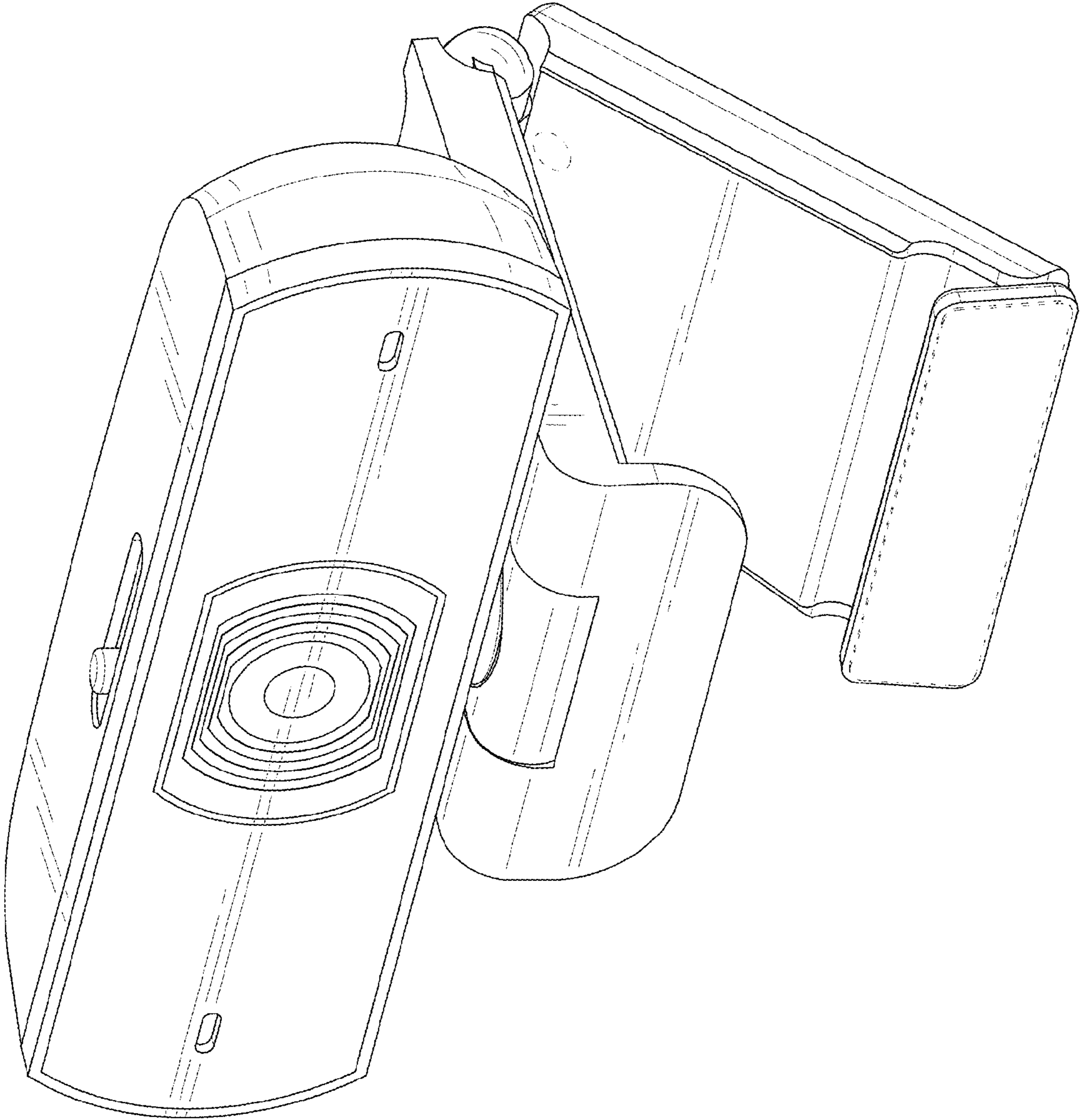


FIG.1

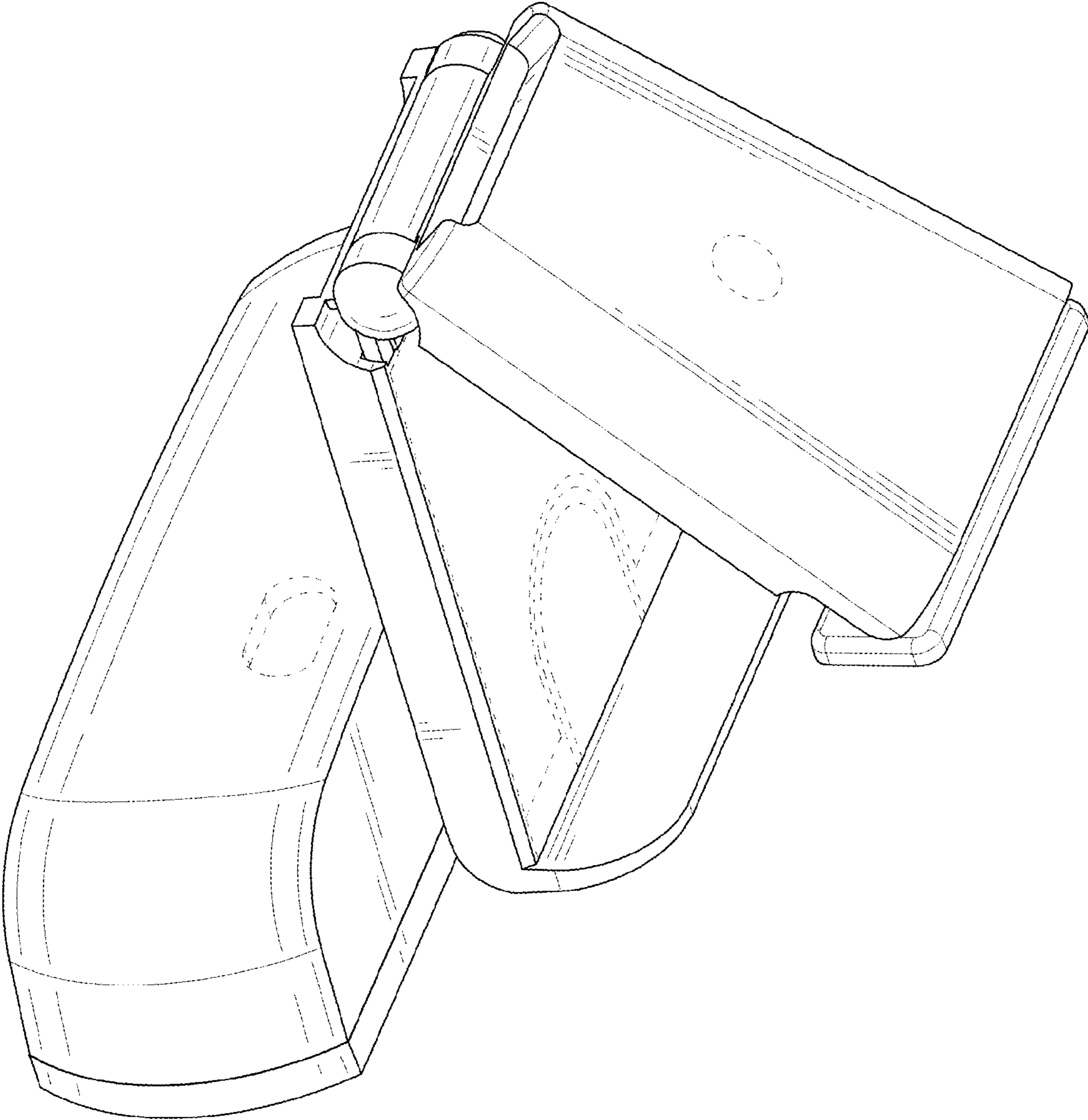


FIG.2

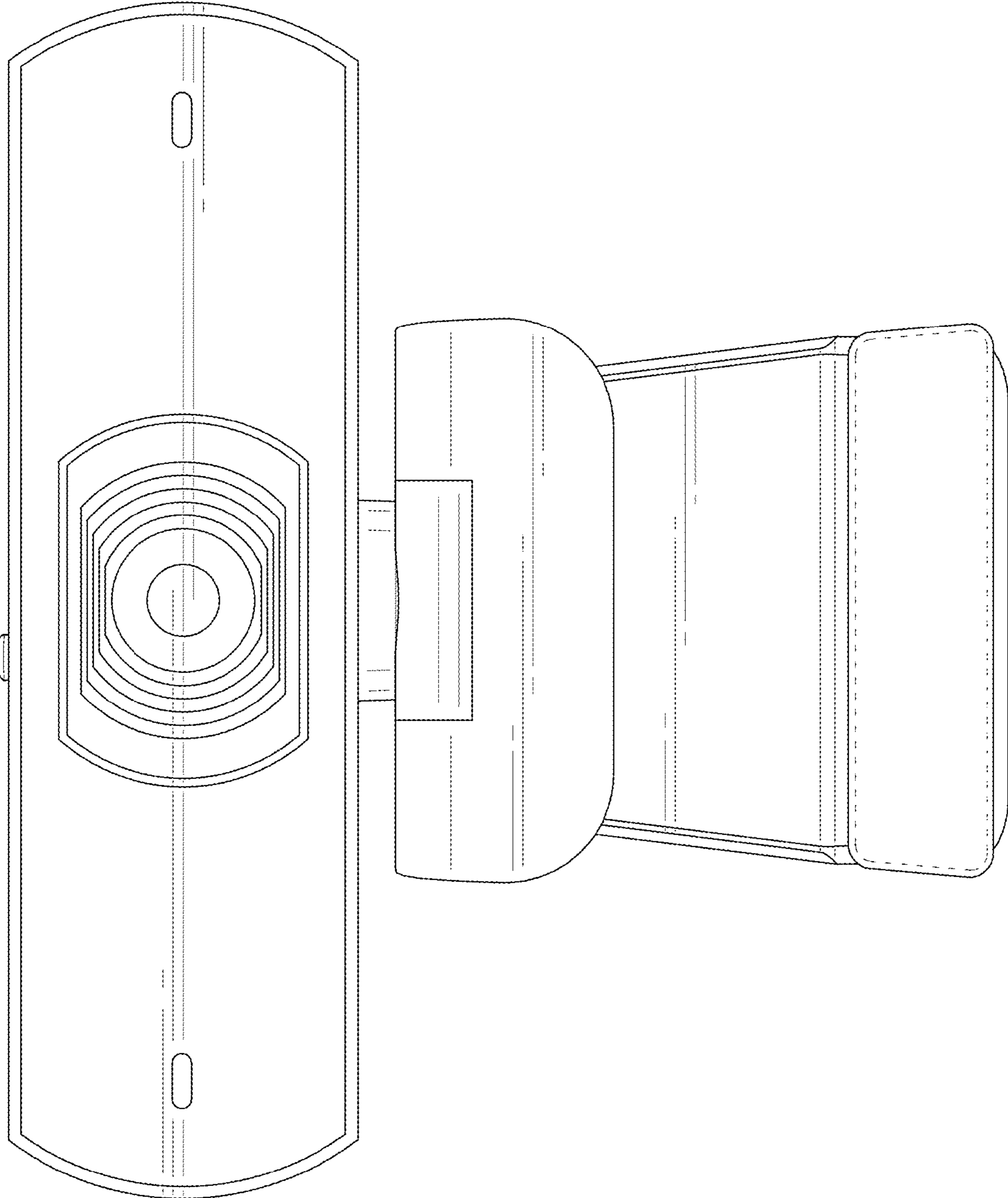


FIG.3

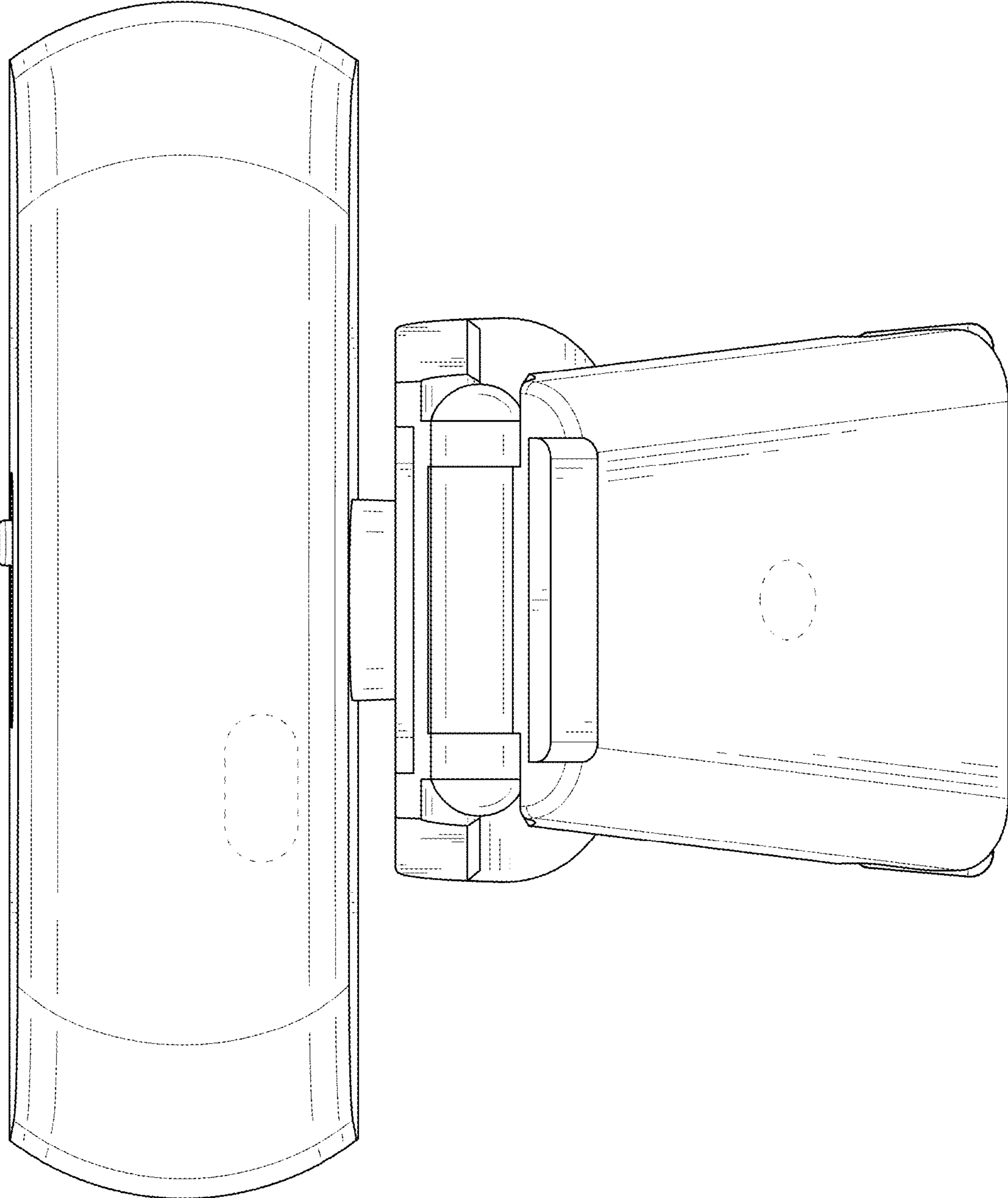


FIG.4

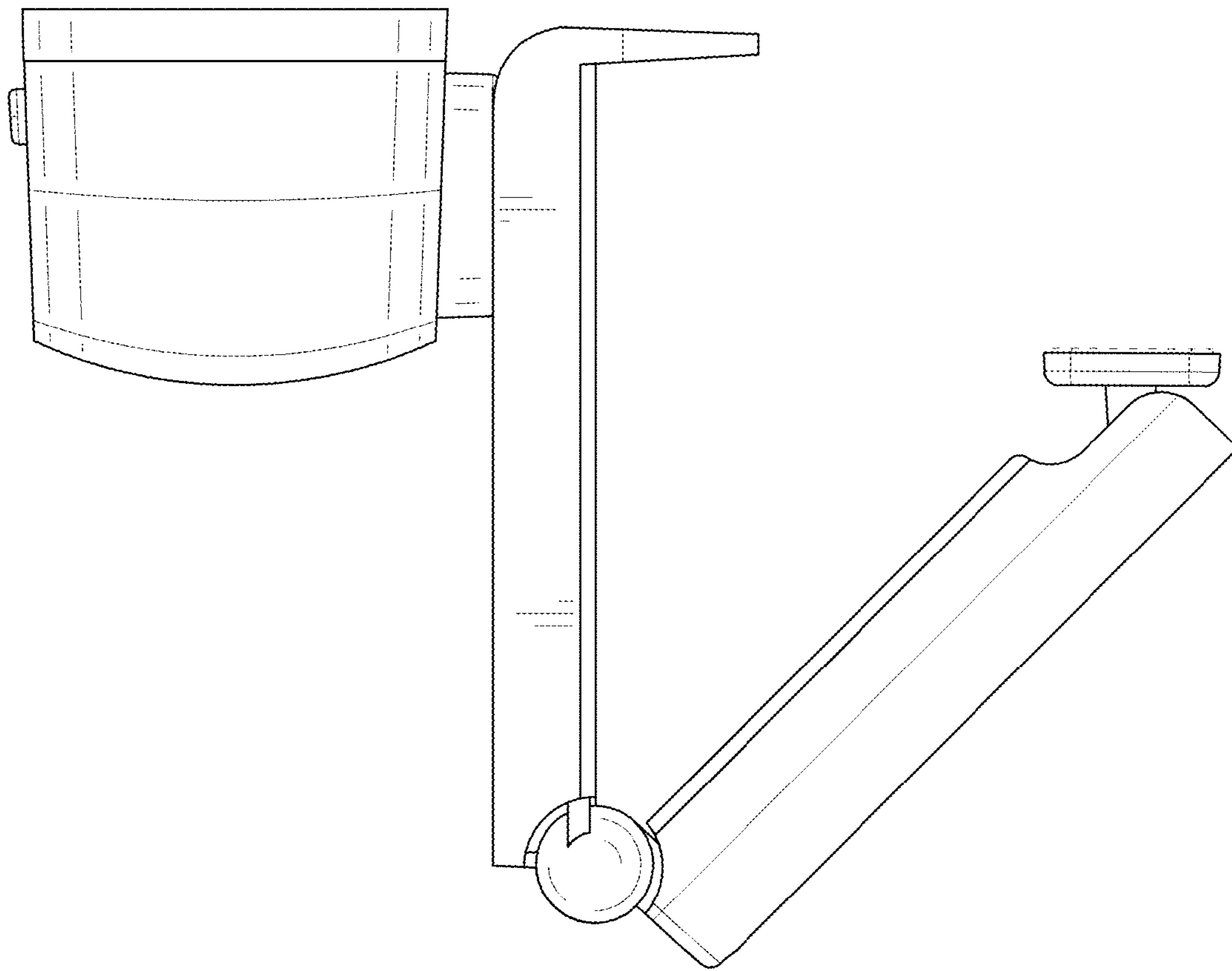


FIG.5

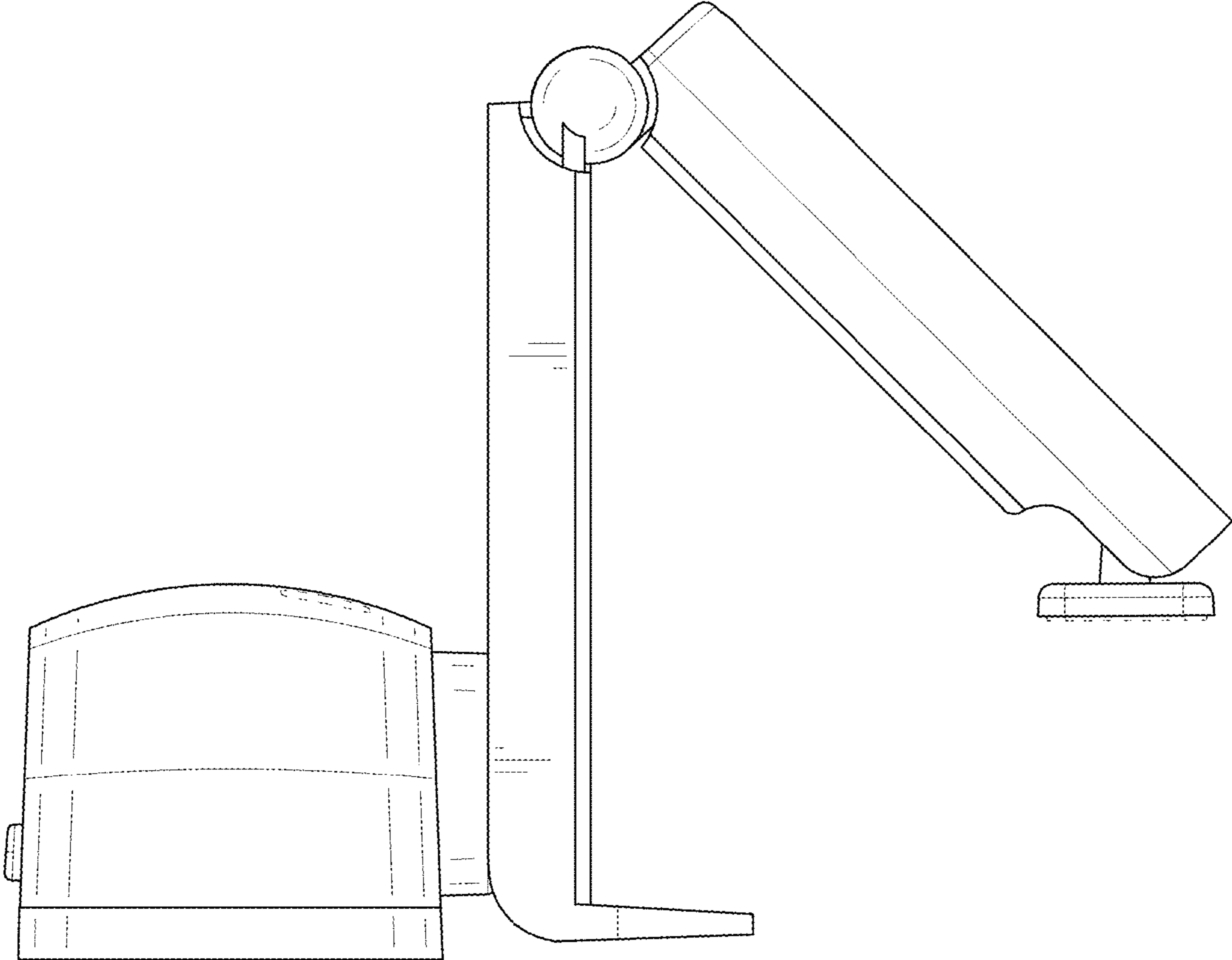


FIG.6

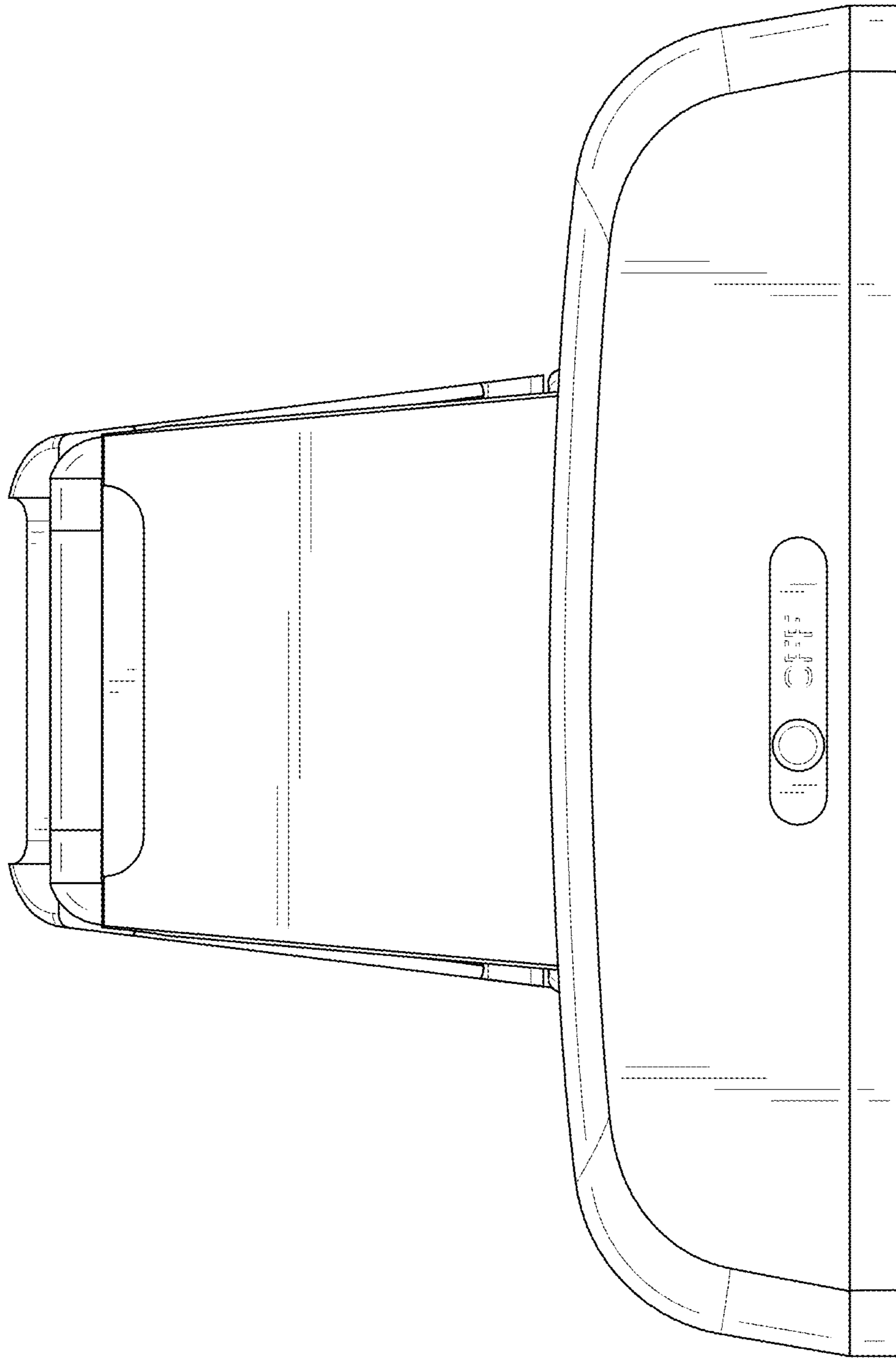


FIG. 7

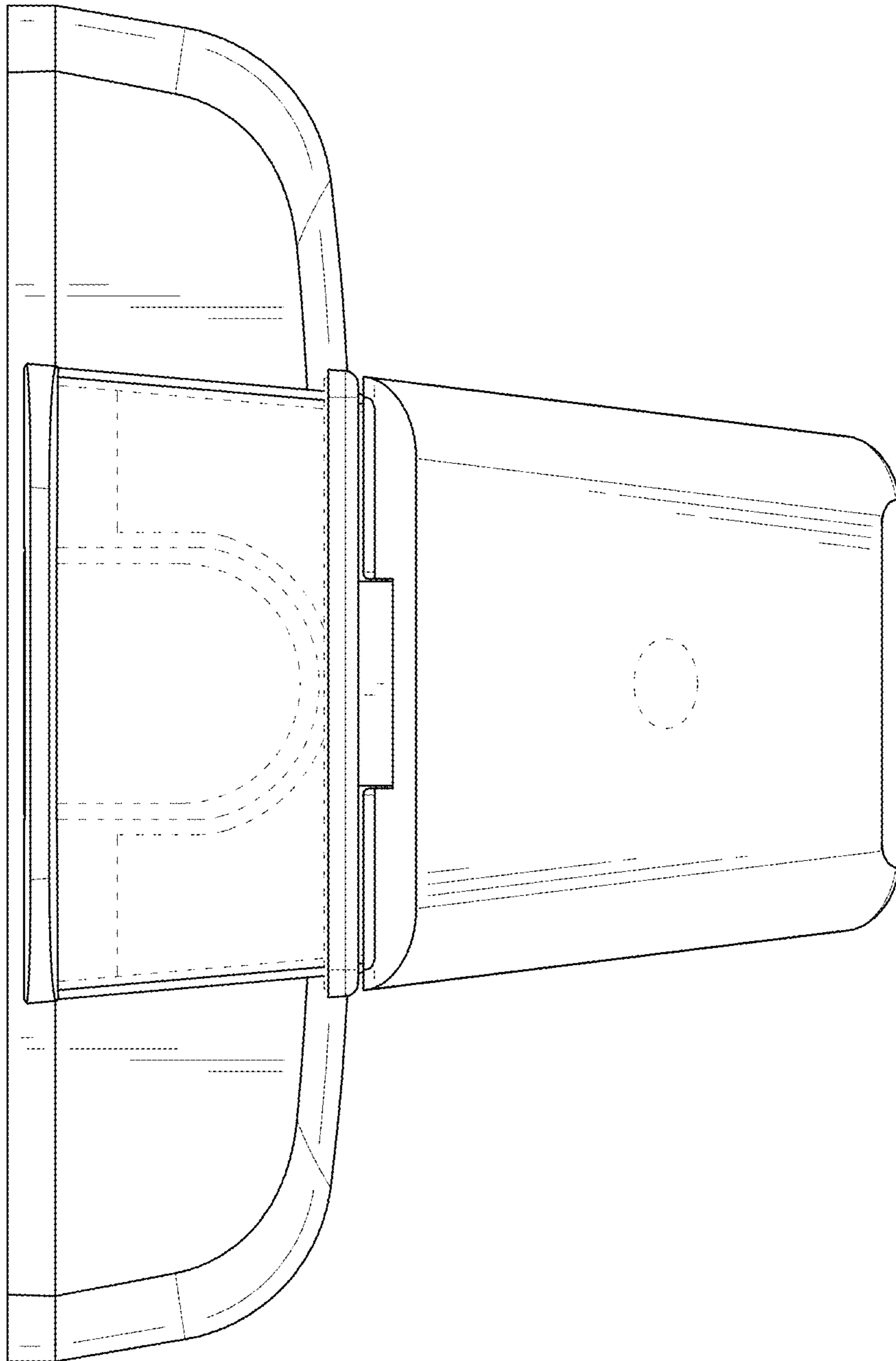


FIG.8