



US00D951323S

(12) **United States Design Patent**
Wu

(10) **Patent No.:** **US D951,323 S**
(45) **Date of Patent:** **** May 10, 2022**

- (54) **CAMERA**
- (71) Applicant: **Jingshui Wu**, Nanshan Town (CN)
- (72) Inventor: **Jingshui Wu**, Nanshan Town (CN)
- (**) Term: **15 Years**
- (21) Appl. No.: **29/767,540**
- (22) Filed: **Jan. 22, 2021**
- (51) **LOC (13) Cl.** **16-01**
- (52) **U.S. Cl.**
USPC **D16/202**
- (58) **Field of Classification Search**
USPC D16/200, 202–203, 208, 218, 219, 242;
248/187.1; 348/14.01–14.6, 143, 148,
348/151, 373–376; 396/419, 427, 428,
396/535, 539–541
CPC G03B 17/02; G03B 19/04; G03B 17/56;
G03B 17/04; G03B 15/03; H04N
2101/00; H04N 2007/145; H04N 7/141;
H04N 7/142; H04N 7/147; H04N 7/148;
H04N 7/15; H04N 7/152
See application file for complete search history.

- D849,089 S * 5/2019 Lu D16/202
- D881,970 S 4/2020 Peng
- D882,664 S 4/2020 Tang et al.
- D901,571 S 11/2020 Liu
- D902,973 S 11/2020 Homza et al.
- D902,976 S 11/2020 Han
- D903,737 S 12/2020 Han
- D904,490 S 12/2020 Mao et al.
- D907,091 S 1/2021 Lv et al.
- D910,730 S * 2/2021 Hao D16/202
- D929,482 S * 8/2021 Livaudais D16/202

* cited by examiner

Primary Examiner — Ramzi Almatrahi
(74) *Attorney, Agent, or Firm* — Law Offices of Steven W. Weinrieb

(57) **CLAIM**

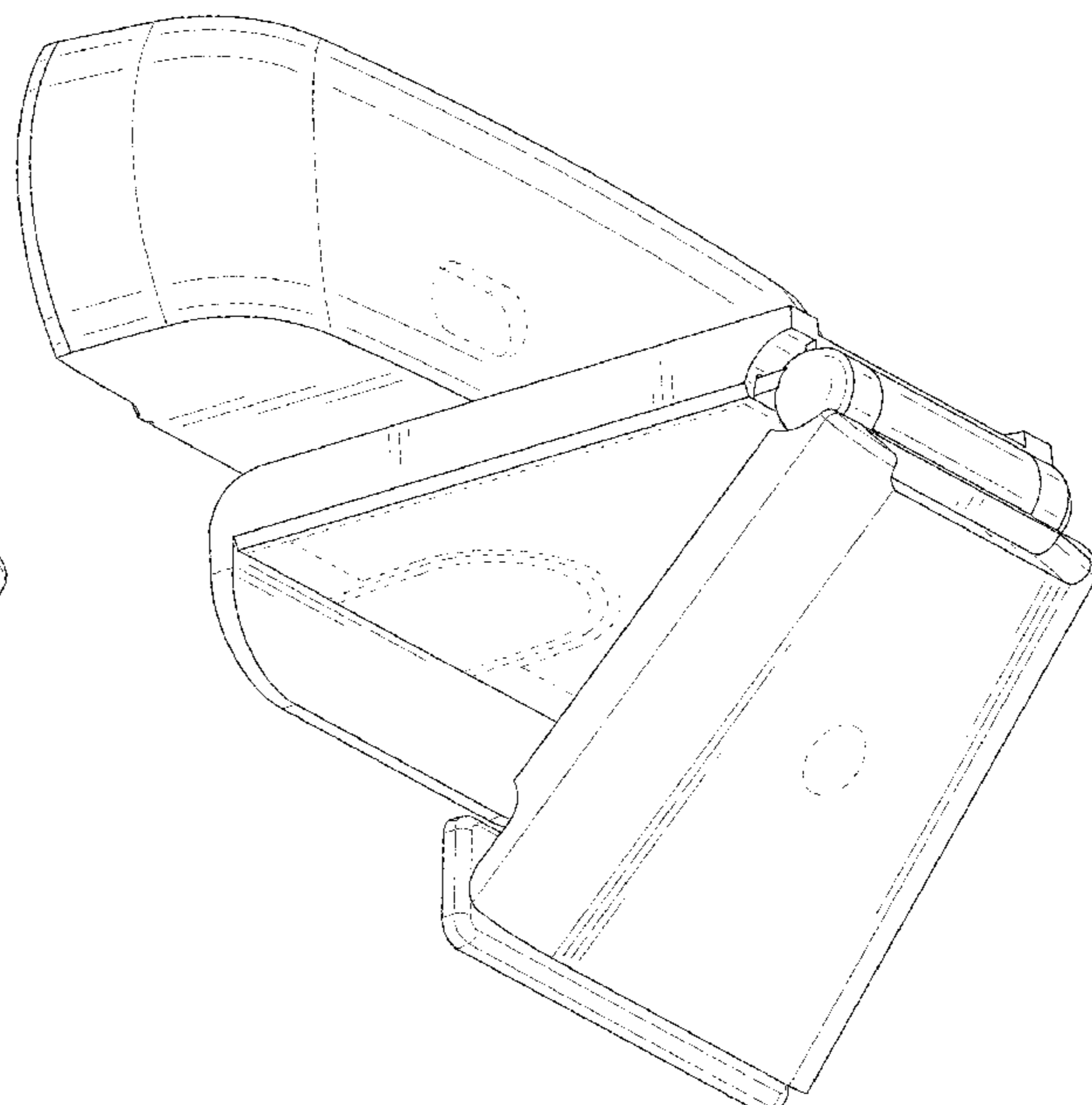
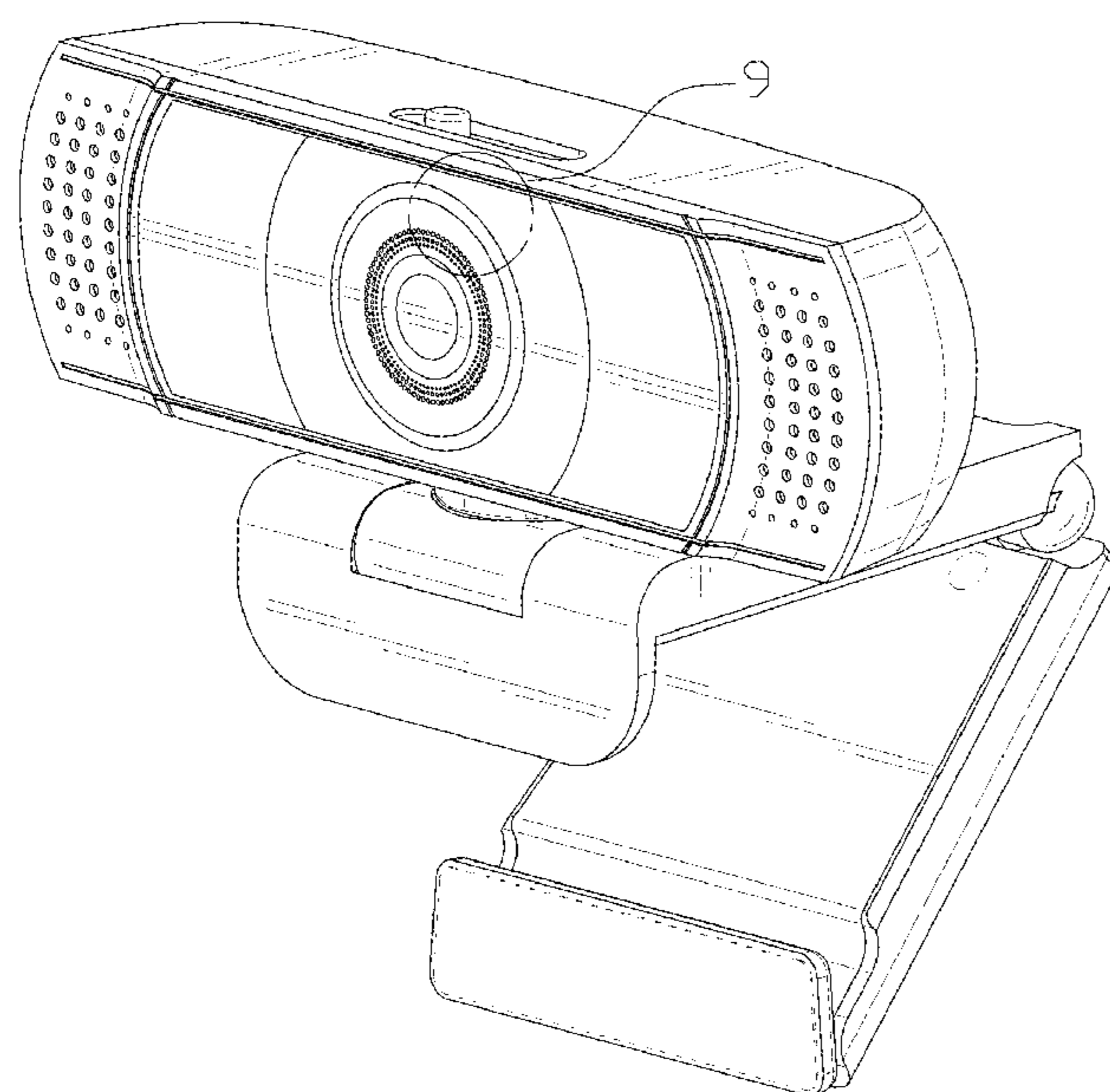
The ornamental design for a camera, as shown and described.

DESCRIPTION

FIG. 1 is a top, front and right side perspective view of a camera showing my new design;
FIG. 2 is a bottom, rear and right side perspective view thereof;
FIG. 3 is a front elevational view thereof;
FIG. 4 is a rear elevational view thereof;
FIG. 5 is a left side elevational view thereof;
FIG. 6 is a right side elevational view thereof;
FIG. 7 is a top plan view thereof;
FIG. 8 is a bottom plan view thereof; and,
FIG. 9 is an enlarged view of portion 9 shown in FIG. 1.
The broken lines depict portions of the camera that form no part of the claimed design. Additionally, the dot-dash broken lines encircling an enlargement portion of the design forms no part of the claimed design.

1 Claim, 9 Drawing Sheets

- (56) **References Cited**
U.S. PATENT DOCUMENTS
- D654,942 S * 2/2012 Khamsepoor D16/202
- D665,439 S * 8/2012 Khamsepoor D16/202
- D675,660 S * 2/2013 Su D16/202
- D678,380 S * 3/2013 Pardo D16/202
- D680,144 S * 4/2013 Tsai D16/202
- D682,332 S * 5/2013 Wang D16/202
- D694,796 S * 12/2013 Tsai D16/202
- D709,117 S * 7/2014 Gan D16/202
- D783,075 S * 4/2017 Maxwell D16/202
- D785,693 S 5/2017 Kim
- D822,745 S * 7/2018 Shang D16/208
- D822,749 S 7/2018 Jacob et al.



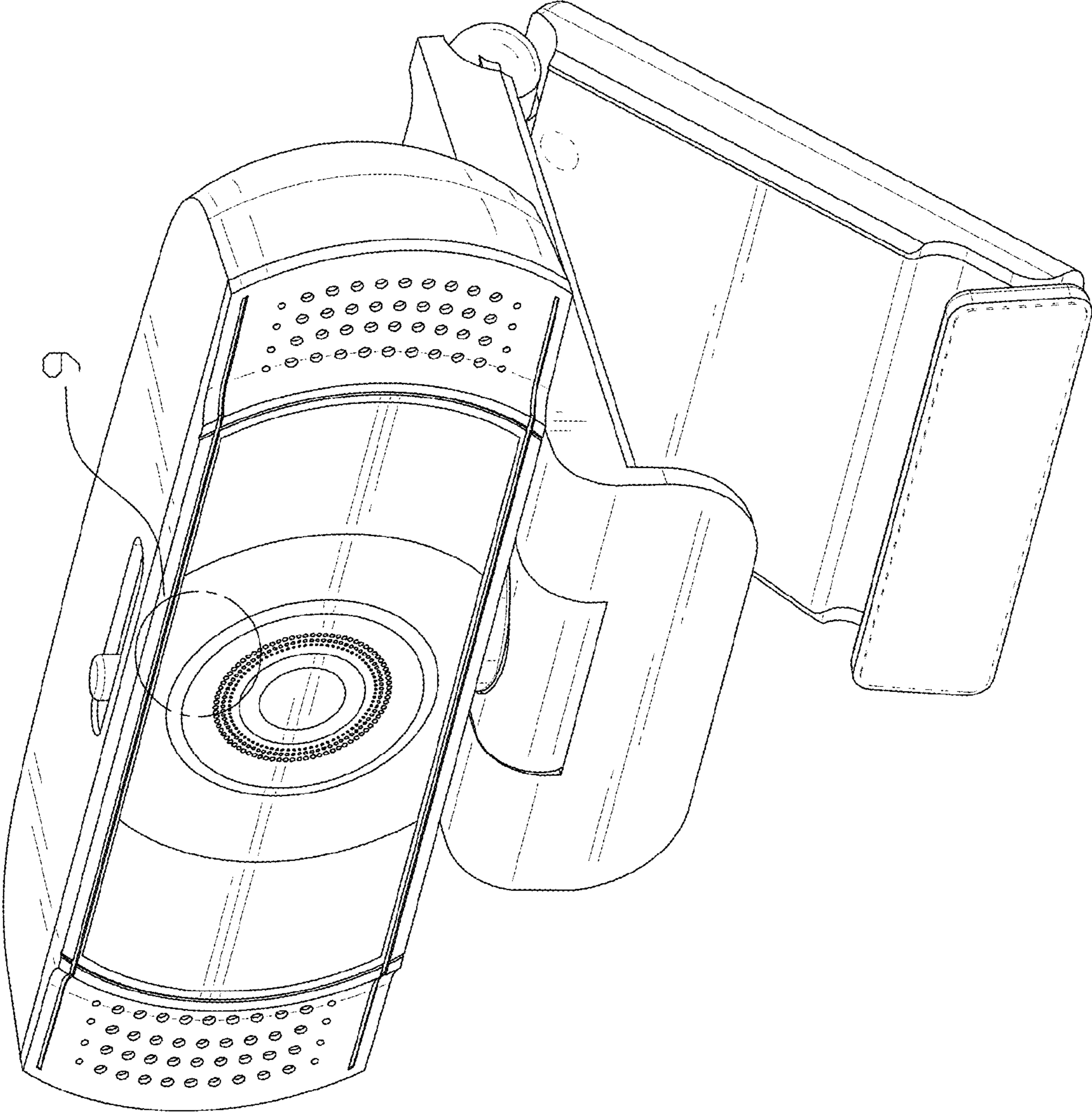


FIG.1

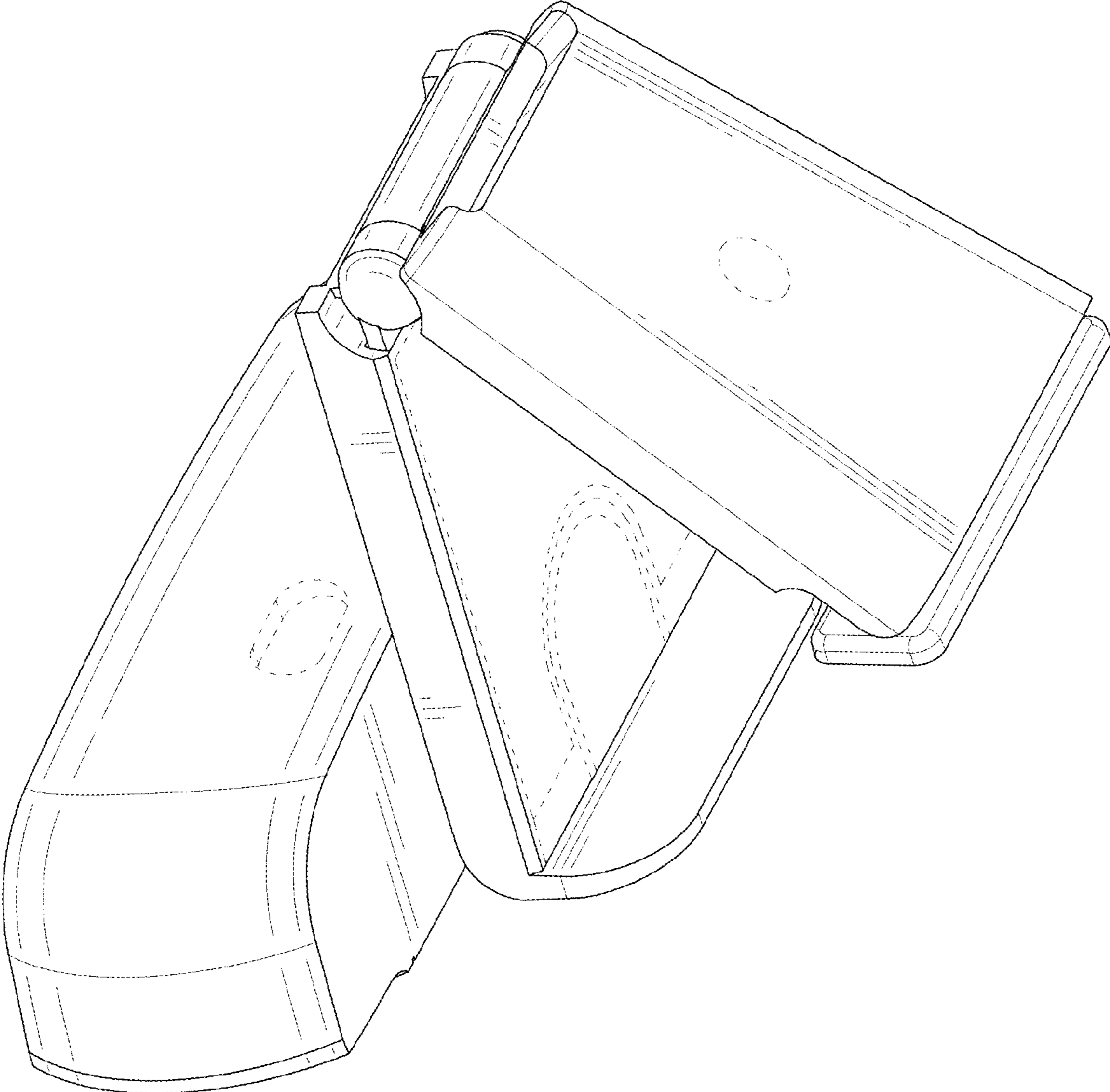


FIG.2

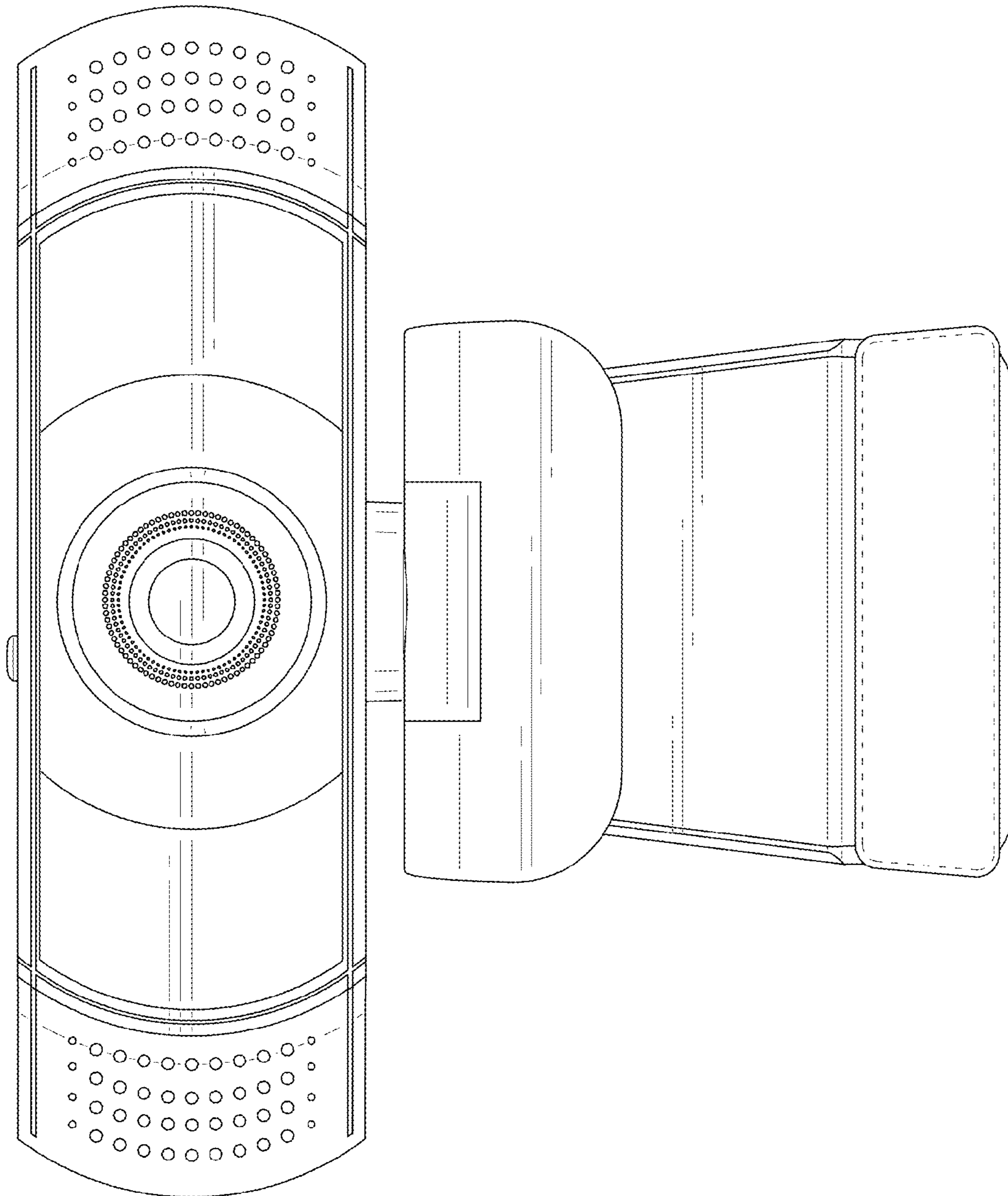


FIG. 3

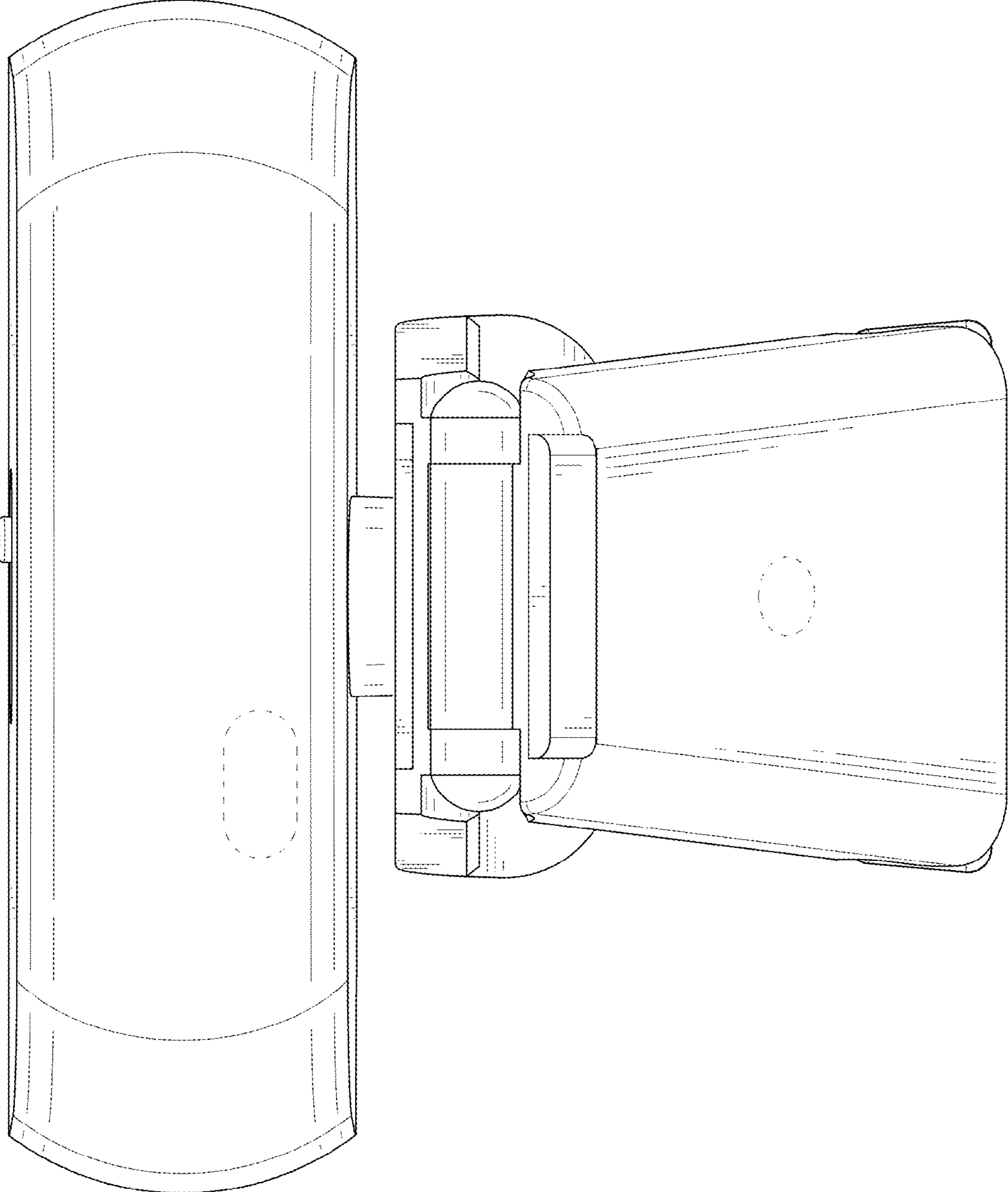


FIG.4

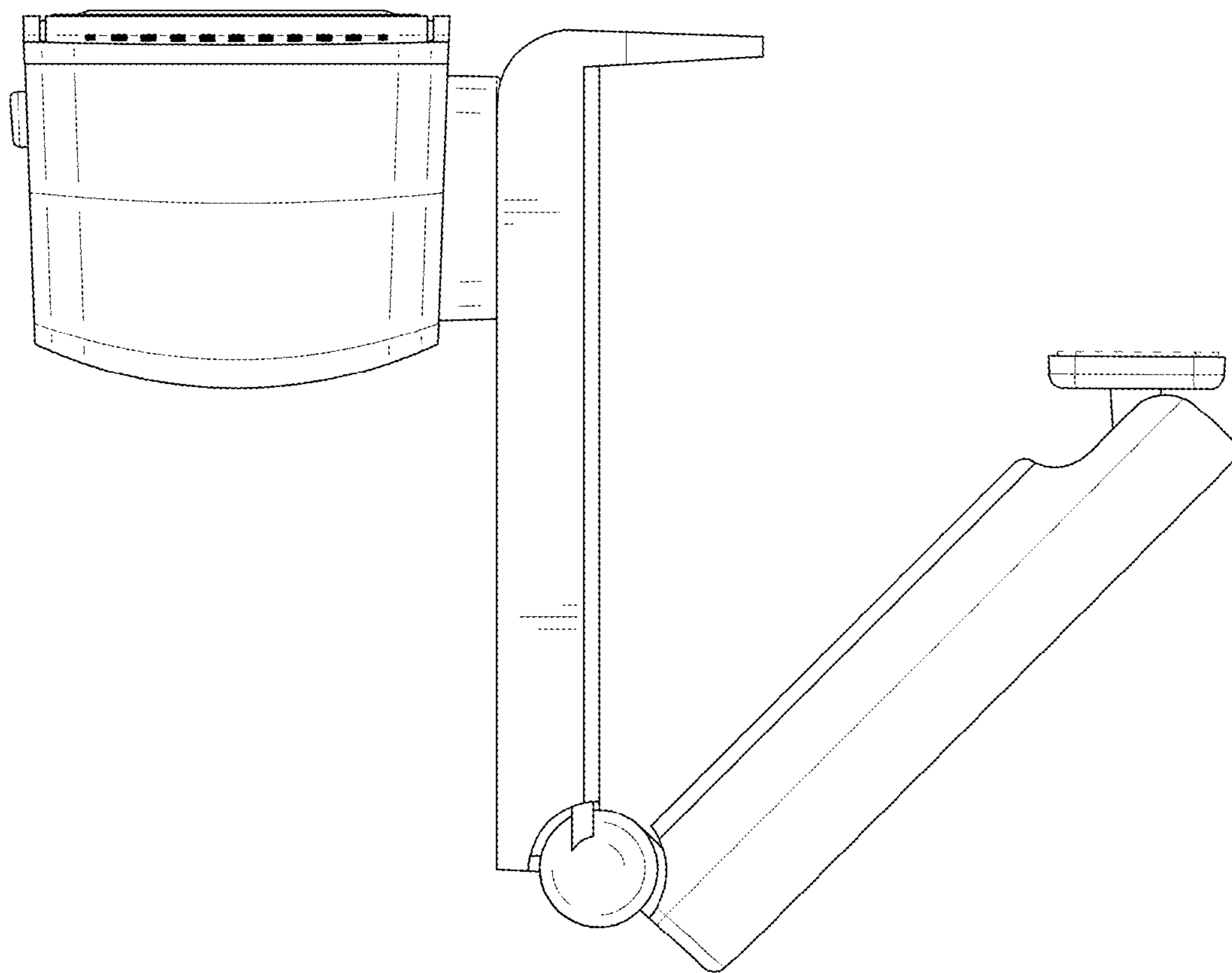


FIG. 5

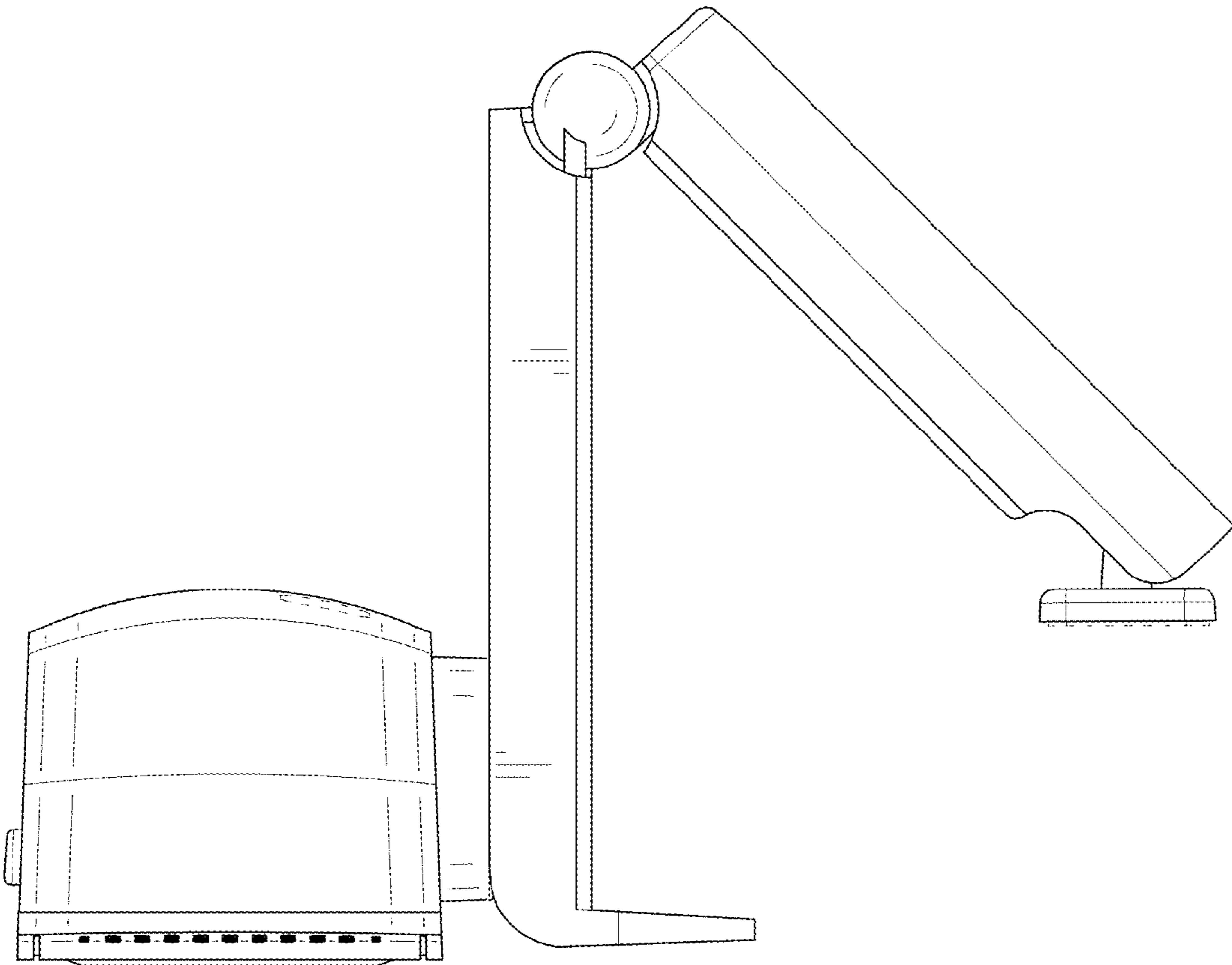


FIG.6

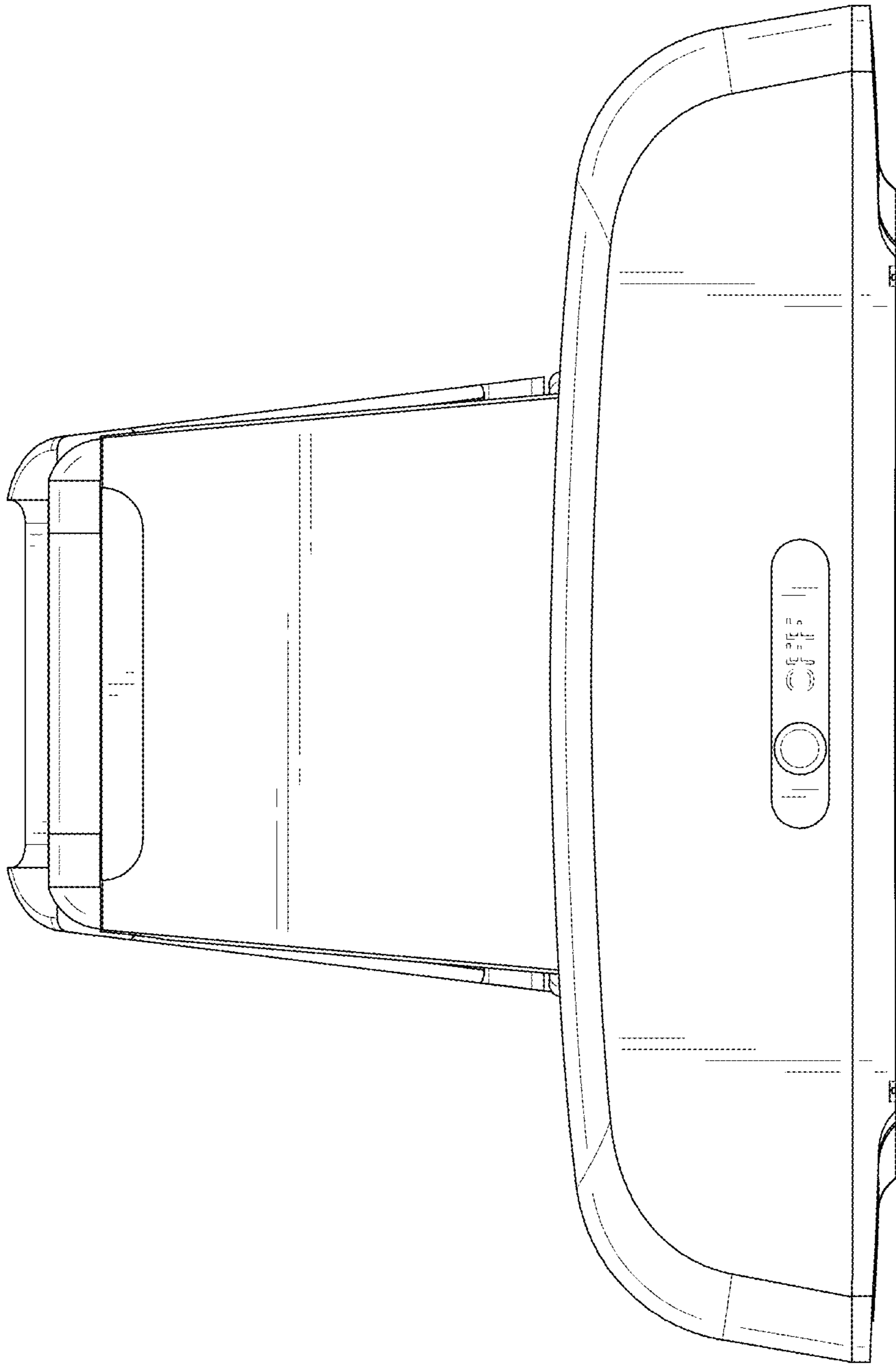


FIG. 7

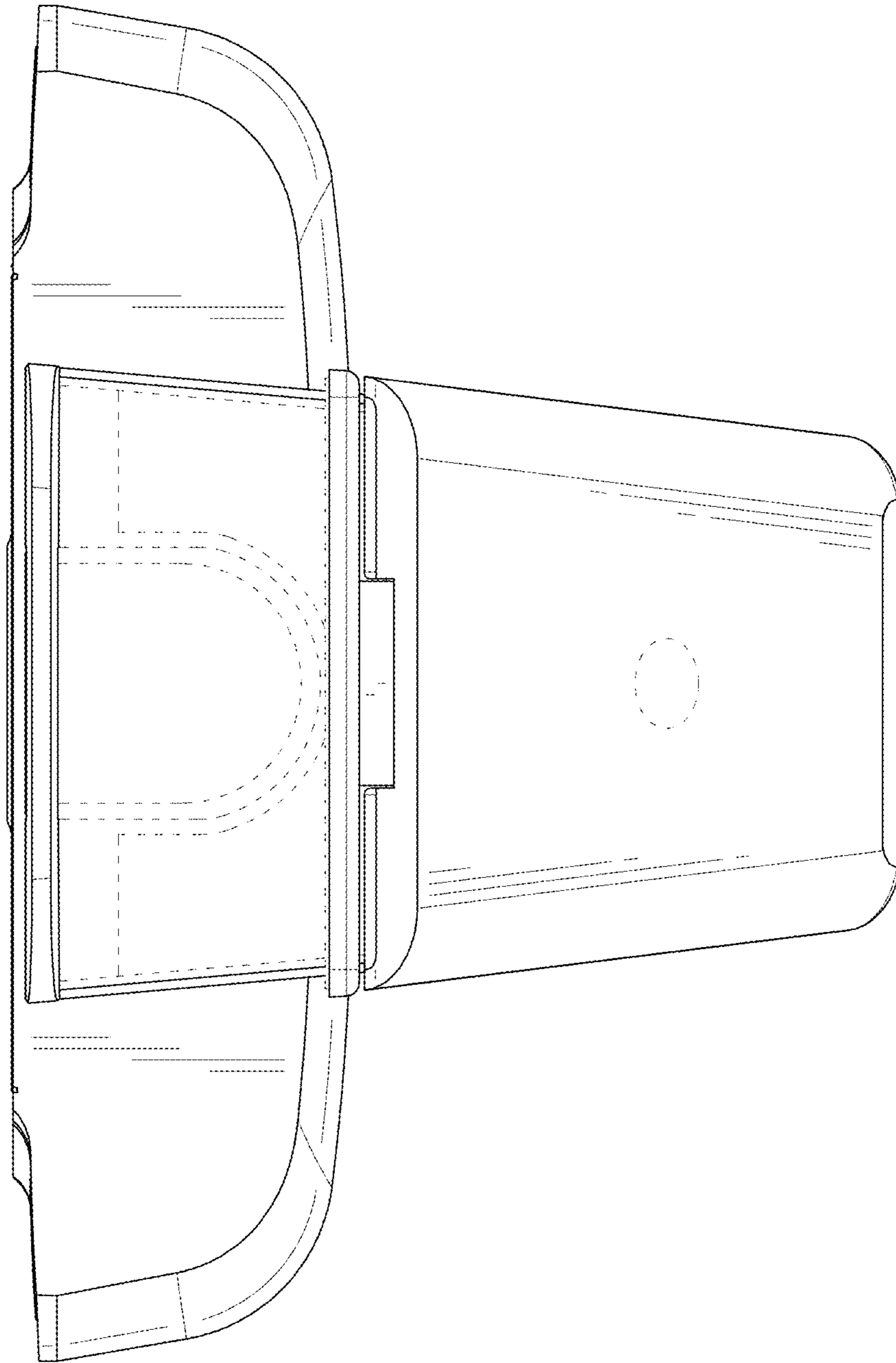


FIG. 8

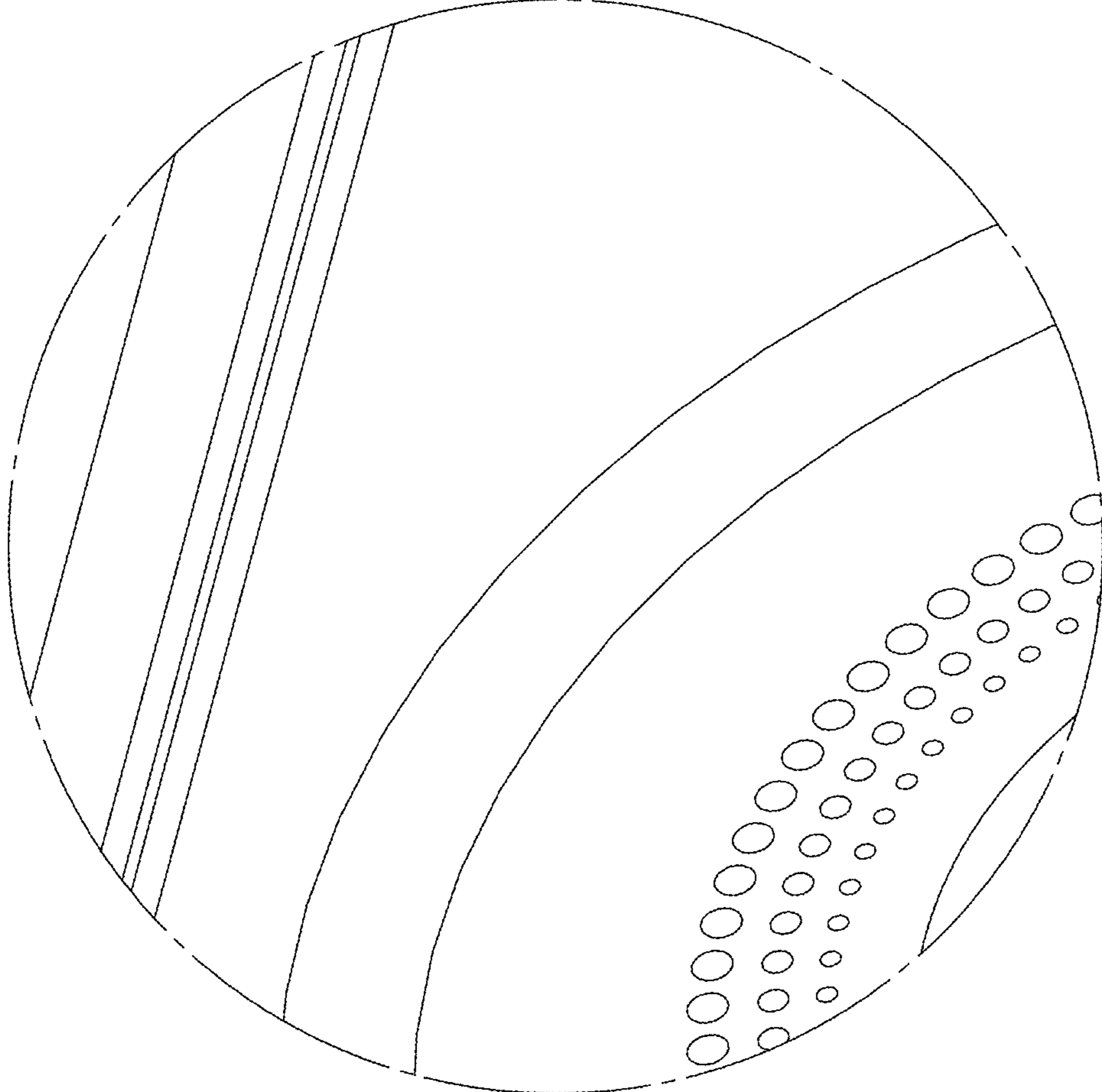


FIG. 9