



US00D951322S

(12) **United States Design Patent**  
**Mao et al.**

(10) **Patent No.:** **US D951,322 S**

(45) **Date of Patent:** **\*\* May 10, 2022**

(54) **CAMERA**

(71) Applicant: **Teledyne FLIR Commercial Systems, Inc.**, Goleta, CA (US)

(72) Inventors: **Zhenmei Mao**, Richmond (CA); **Ying Xiang**, Richmond (CA); **Xuan Song**, Shanghai (CN)

(73) Assignee: **Teledyne FLIR Commercial Systems, Inc.**, Goleta, CA (US)

(\*\*) Term: **15 Years**

(21) Appl. No.: **29/704,022**

(22) Filed: **Aug. 30, 2019**

(51) **LOC (13) Cl.** ..... **16-01**

(52) **U.S. Cl.**

USPC ..... **D16/202**; D16/210

(58) **Field of Classification Search**

USPC ..... D16/200, 202–206, 218, 219, 242;  
348/143, 148, 151, 164, 373–376;  
396/419, 427, 535, 539–541

CPC ..... G03B 17/02; G03B 19/04; G03B 17/56;  
G03B 17/04; G03B 15/03; H04N 5/2251;  
H04N 5/2252; H04N 5/2253; H04N  
5/2254; H04N 7/181; H04N 7/183; H04N  
7/18; G08B 13/1963; G08B 13/19619;  
G08B 13/19632

See application file for complete search history.

(56) **References Cited**

**U.S. PATENT DOCUMENTS**

8,587,715 B2 \* 11/2013 Takeda ..... H04N 13/239  
348/373  
D712,946 S \* 9/2014 Hong ..... D16/202  
D744,573 S \* 12/2015 Matsumiya ..... D16/218  
D769,956 S \* 10/2016 Hinkel ..... D16/203  
D795,940 S \* 8/2017 Huang ..... D16/203

D800,201 S \* 10/2017 Song ..... D16/202  
D811,465 S \* 2/2018 Nokuo ..... D16/218  
D835,701 S \* 12/2018 Song ..... D16/219  
D848,508 S \* 5/2019 Hsu ..... D16/218  
D865,029 S \* 10/2019 Fook ..... D16/218  
D867,422 S \* 11/2019 Song ..... D16/202  
D872,792 S \* 1/2020 Fletcher ..... D16/219  
D874,541 S \* 2/2020 Kapuria ..... D16/208

**OTHER PUBLICATIONS**

FLIR People Counting & Tracking, Product Overview, “Brickstream @3D Gen 2”, 6 pages, [online], [retrieved on Sep. 16, 2019]. Retrieved from the Internet:<<http://www.brickstream.com/Products/home-3DGen2.html>>.

(Continued)

*Primary Examiner* — Ramzi Almatrahi

(74) *Attorney, Agent, or Firm* — Haynes and Boone, LLP

(57) **CLAIM**

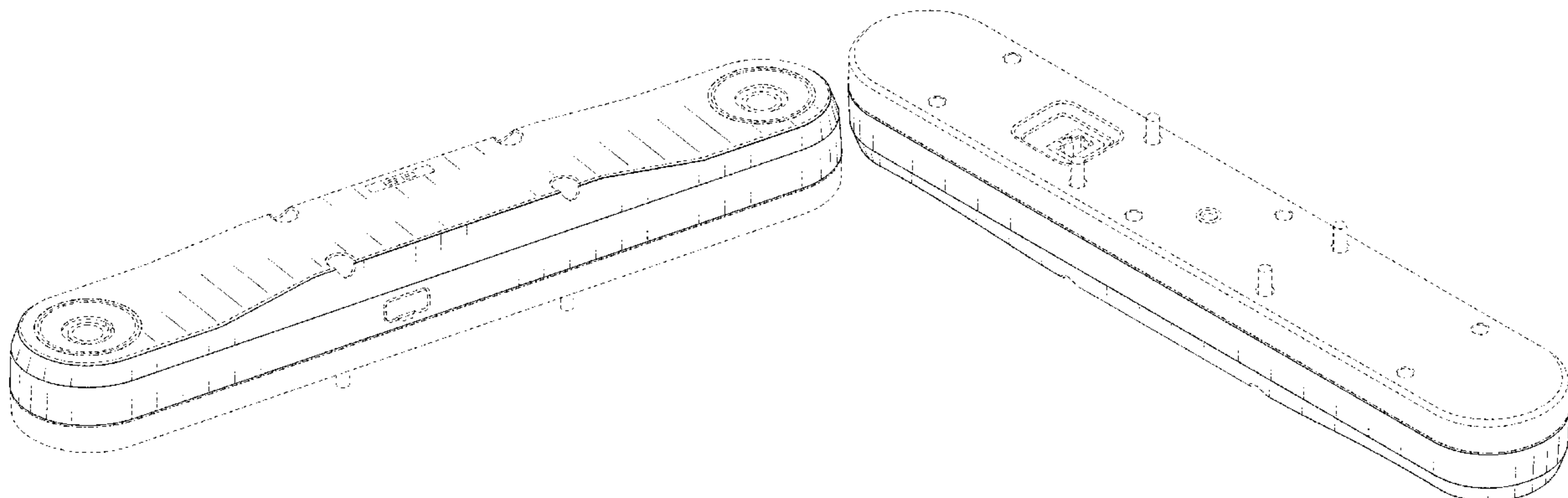
The ornamental design for a camera, as shown and described.

**DESCRIPTION**

FIG. 1 is a front, right, and bottom perspective view of a camera embodying the new design;  
FIG. 2 is a rear, left, and top perspective view thereof;  
FIG. 3 is a bottom plan view thereof;  
FIG. 4 is a top plan view thereof;  
FIG. 5 is a right side elevational view thereof;  
FIG. 6 is a left side elevational view thereof;  
FIG. 7 is a front elevational view thereof; and,  
FIG. 8 is a rear elevational view thereof.

The broken lines depict portions of the camera in which the design is embodied that form no part of the claimed design. The dot-dash lines denote the boundary of the claim and form no part of the claimed design.

**1 Claim, 4 Drawing Sheets**



(56)

**References Cited**

OTHER PUBLICATIONS

FLIR People Counting & Tracking, Product Overview, “Brickstream @3D+”, 4 pages, [online], [retrieved on Sep. 16, 2019]. Retrieved from the Internet:<<http://www.brickstream.com/Products/home-3DPlus.html>>.

FLIR People Counting & Tracking, Product Overview, “Brickstream @2D”, 3 pages, [online], [retrieved on Sep. 16, 2019]. Retrieved from the Internet:<<http://www.brickstream.com/Products/home-2D.html>>.

XOVIS Products, “Sensors and Devices”, 8 pages, [online], [retrieved on Sep. 16, 2019]. Retrieved from the Internet:< <https://www.xovis.com/products/>>.

\* cited by examiner

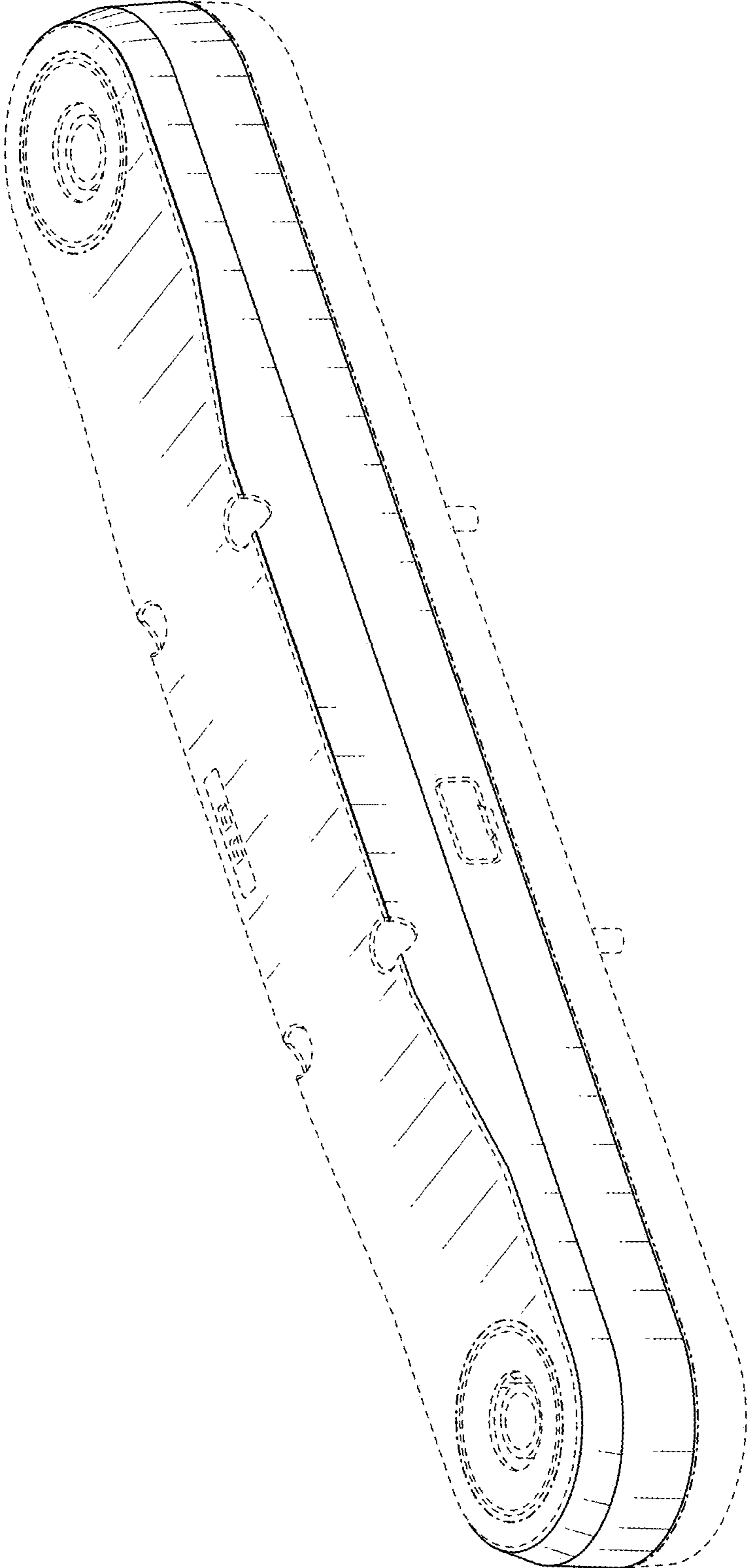


FIG. 1

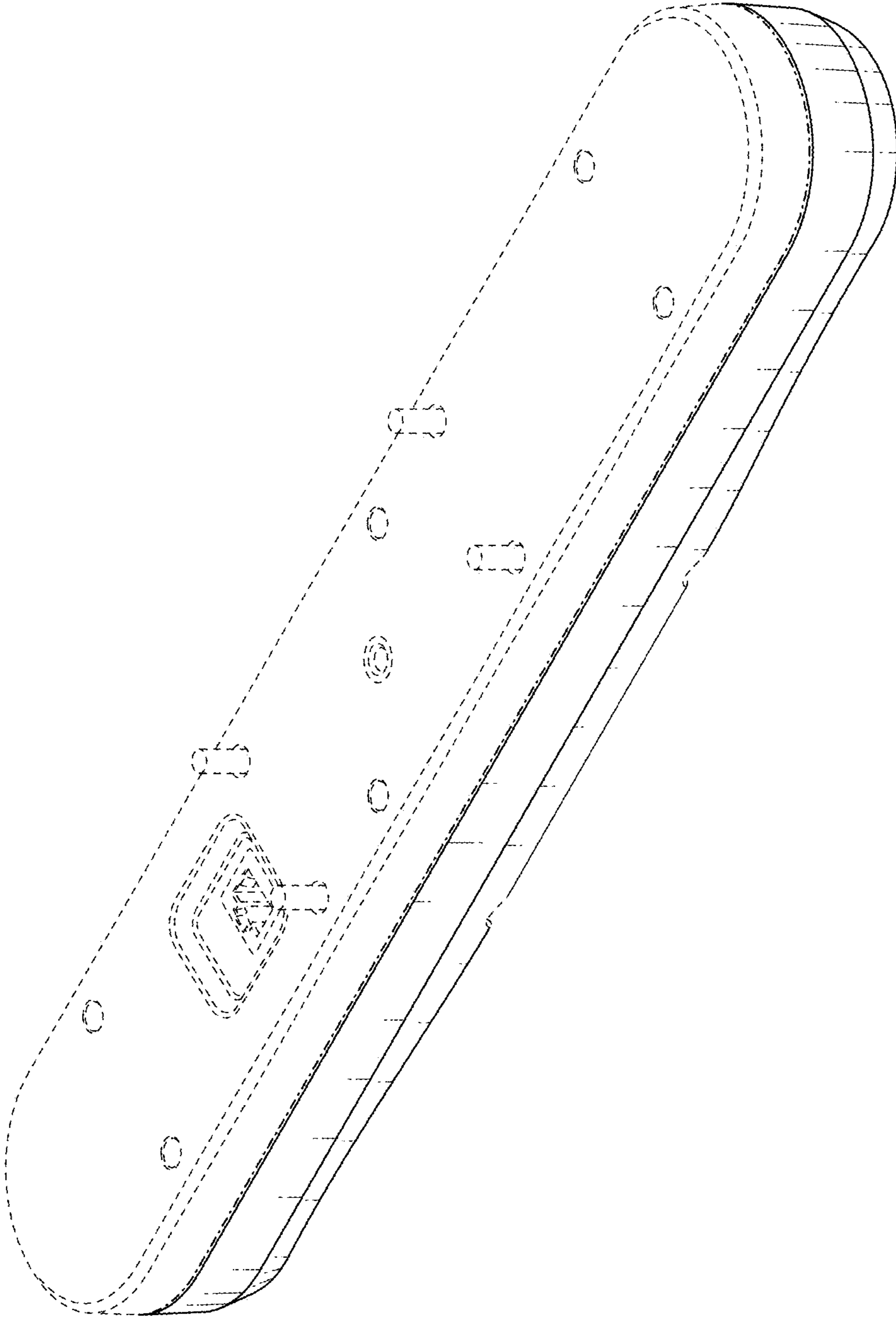


FIG. 2

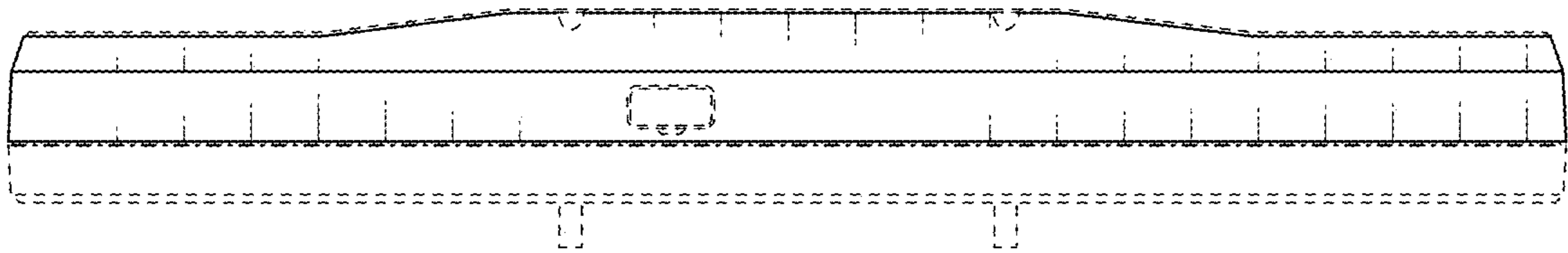


FIG. 3

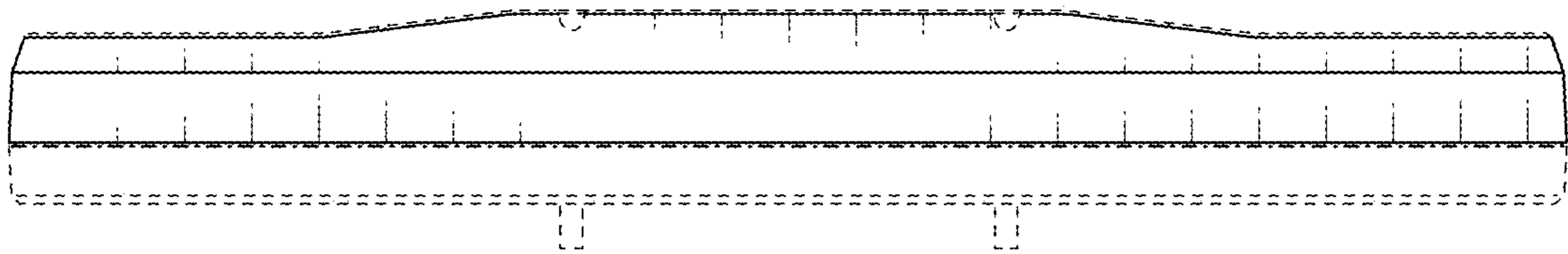


FIG. 4

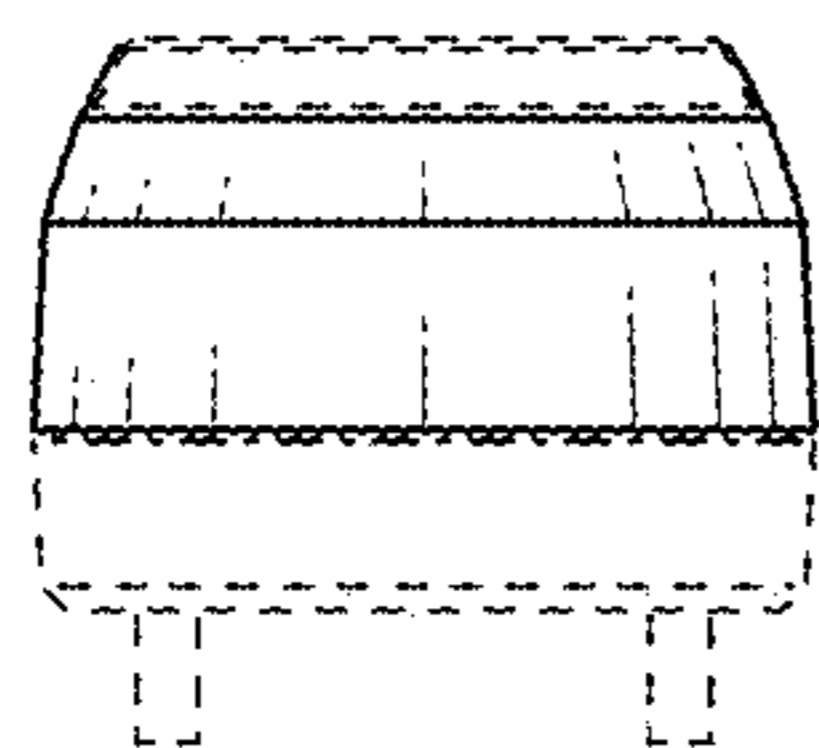


FIG. 5

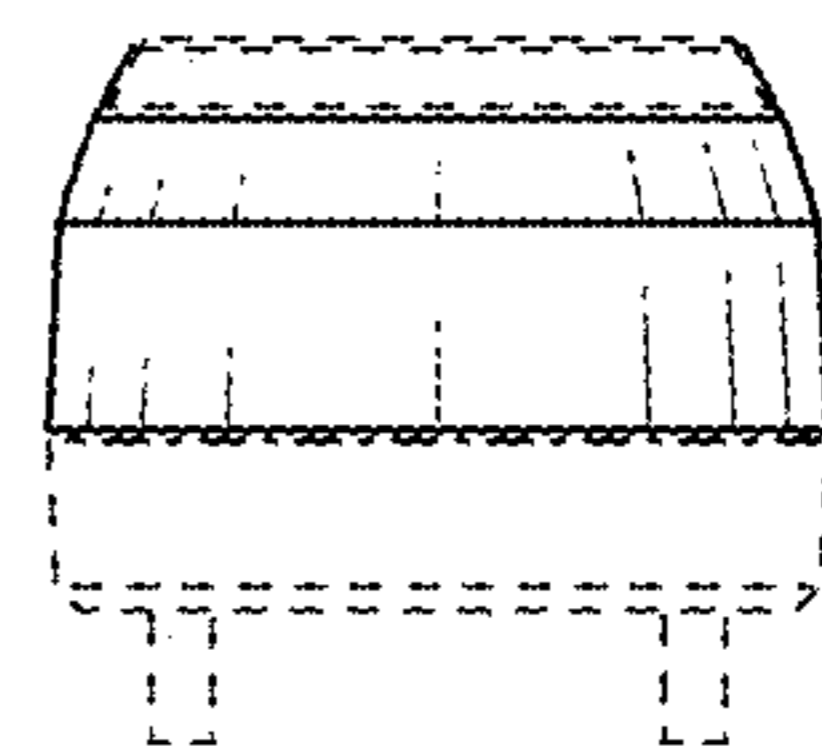


FIG. 6

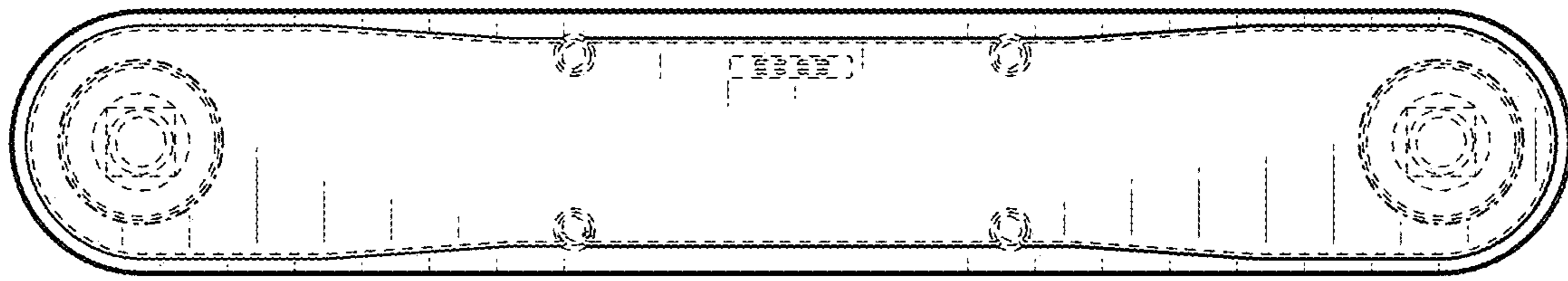


FIG. 7

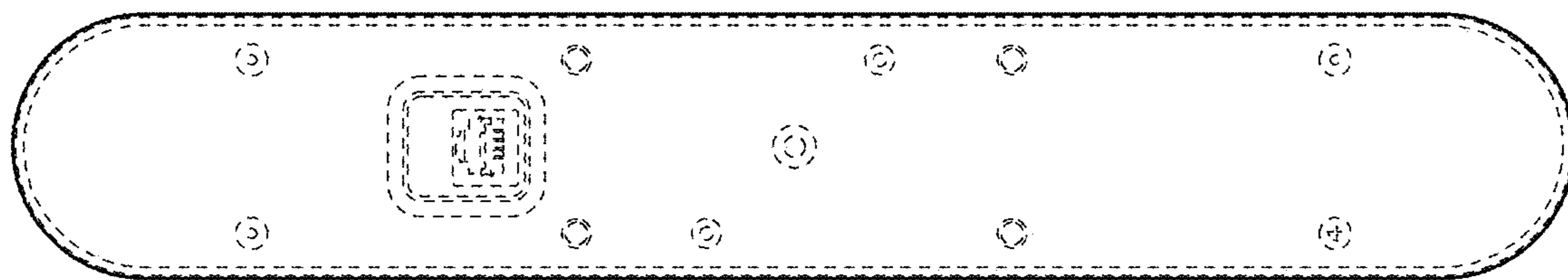


FIG. 8