



US00D951320S

(12) **United States Design Patent**
Pang

(10) **Patent No.:** **US D951,320 S**

(45) **Date of Patent:** **** May 10, 2022**

(54) **USB CAMERA**

(71) Applicant: **Guangdong Xiangxiu Rui Industrial Co., Ltd.**, Guangdong (CN)

(72) Inventor: **Zhenpeng Pang**, Guangdong (CN)

(73) Assignee: **Guangdong Xiangxiu Rui Industrial Co., Ltd.**, Guangdong (CN)

(**) Term: **15 Years**

(21) Appl. No.: **29/753,575**

(22) Filed: **Oct. 1, 2020**

(30) **Foreign Application Priority Data**

May 6, 2020 (CN) 202030197768.9

(51) **LOC (13) Cl.** **16-01**

(52) **U.S. Cl.**
USPC **D16/200**

(58) **Field of Classification Search**

USPC D16/200–204, 207–208, 219, 218;
D10/61, 63, 65, 70, 71, 104.1, 106.7;
D14/203.1, 204, 209.1, 496, 497

CPC G03B 15/03; G03B 17/02; G03B 17/04;
G03B 17/56; G03B 19/04; H04N 7/141;
H04N 7/142; H04N 7/147; H04N 7/148;
H04N 7/15; H04N 7/152; H04N 5/2251;
H04N 5/2252; H04N 5/2253; H04N
5/2254; H04N 2101/00; H04N 2007/145

See application file for complete search history.

(56) **References Cited**

U.S. PATENT DOCUMENTS

D654,942 S	*	2/2012	Khamsepoor	D16/202
D665,439 S	*	8/2012	Khamsepoor	D16/202
D682,332 S	*	5/2013	Wang	D16/202
D901,570 S	*	11/2020	Hao	D16/202
D907,091 S	*	1/2021	Lv	D16/202

FOREIGN PATENT DOCUMENTS

EM	008547475-0001	*	6/2021
EM	008559140-0001	*	6/2021
GB	6115350	*	1/2021

OTHER PUBLICATIONS

“Youpin Xiaow 1080P USB Webcam Camera Ultra Wide Angle Auto Focus with Built-in Microphone for Laptop PC Online Teaching2” from Amazon.com, first available on Oct. 20, 2020 from the internet <<https://www.amazon.com/Youpin-Xiaovv-Webcam-Microphone-Teaching2/dp/B08LH6NC2J>> (Year: 2020).*

“J5create USB™ HD Webcam with 360° Rotation and 1080P, JVCU100” from OfficeDepot.com, first retrieved on Dec. 20, 2021 from the internet <<https://www.officedepot.com/a/products/7864646/j5create-USB-HD-Webcam-with-360/#Specs>> (Year: 2021).*

* cited by examiner

Primary Examiner — Rosemary K Tarcza

Assistant Examiner — Lacey Chey Bowman

(57) **CLAIM**

The ornamental design for a USB camera, as shown and described.

DESCRIPTION

FIG. 1 is a front view of a USB camera, showing my new design;

FIG. 2 is a top plan view thereof;

FIG. 3 is a bottom plan view thereof;

FIG. 4 is a rear plan view thereof;

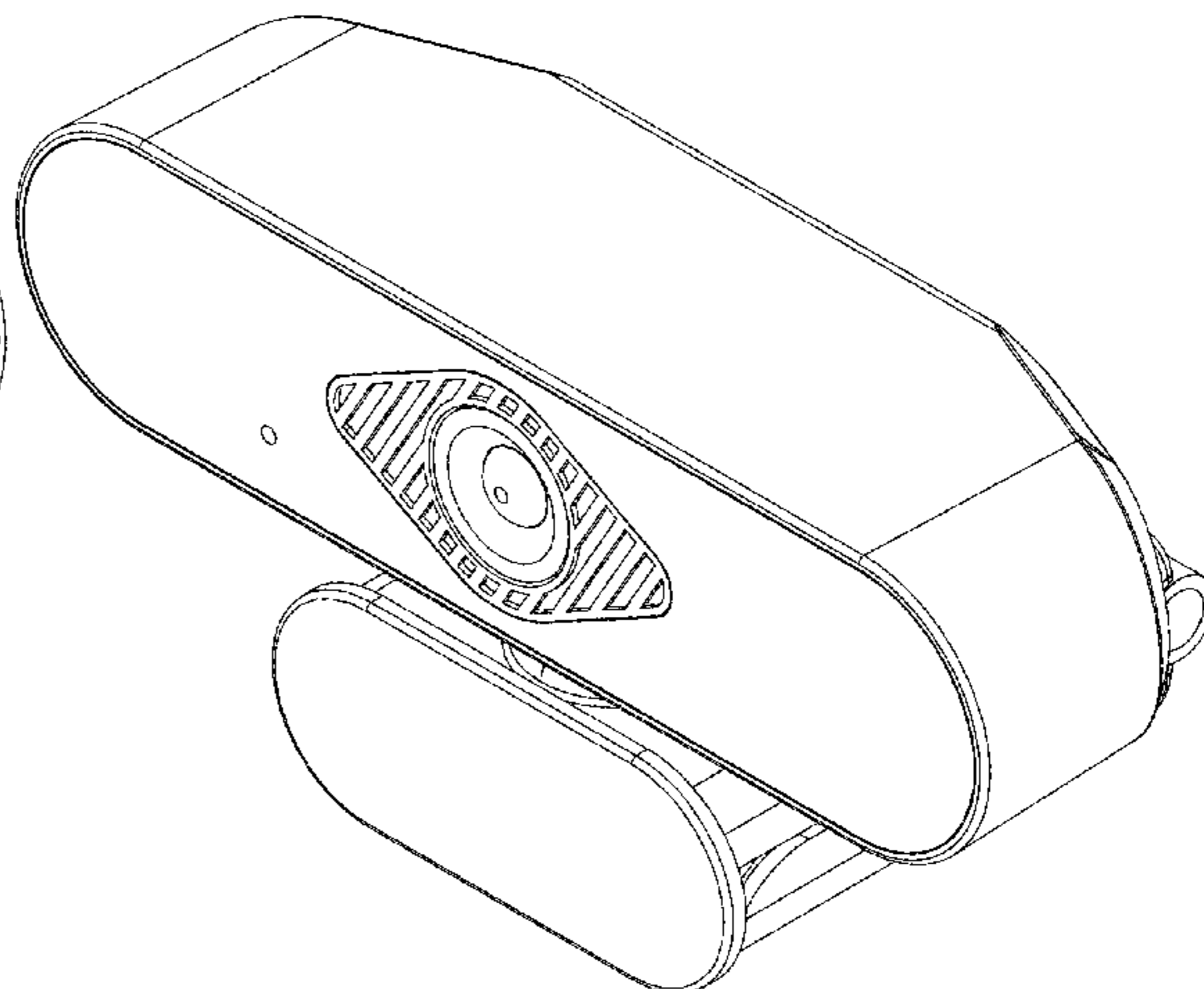
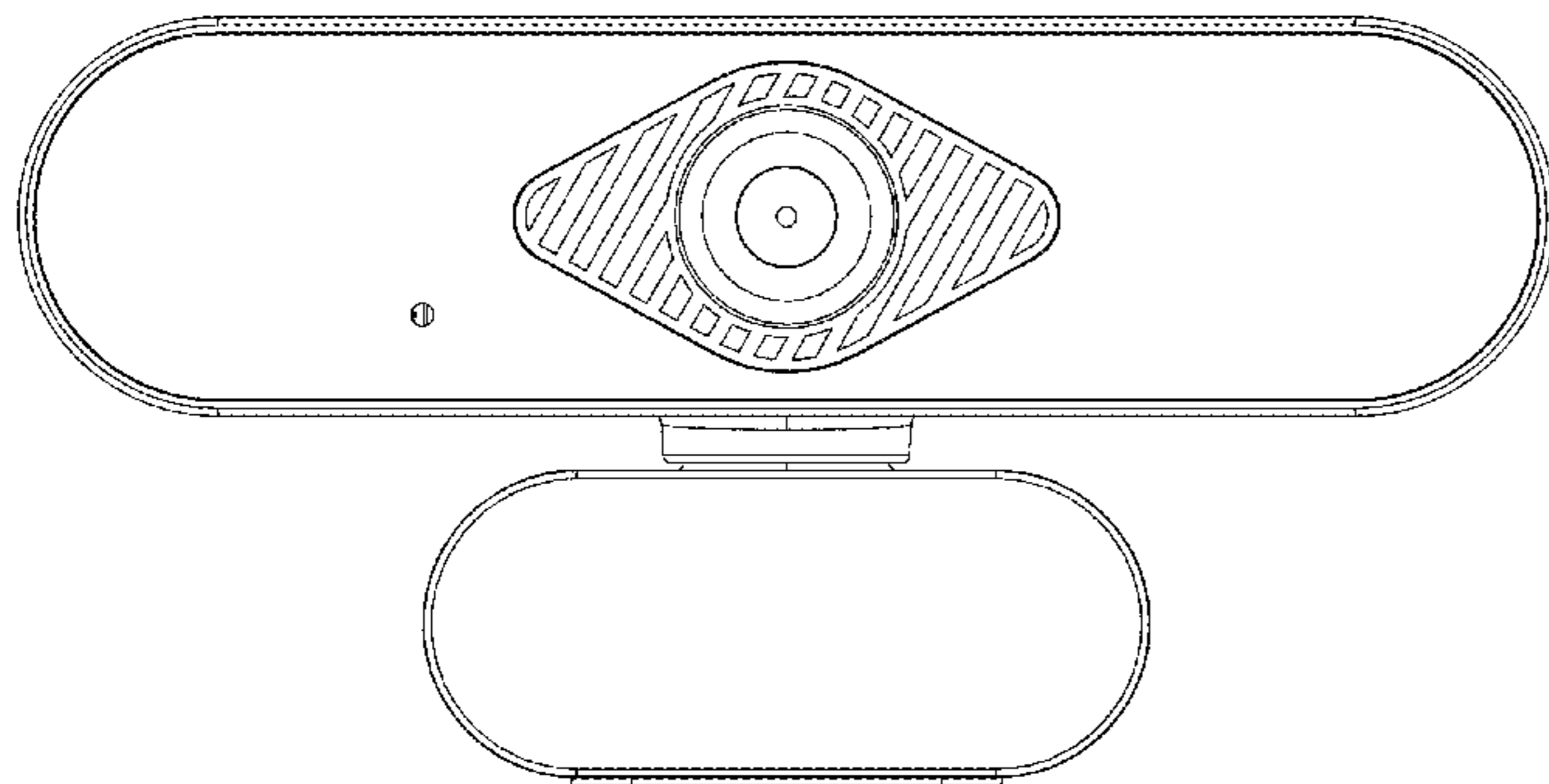
FIG. 5 is a left plan view thereof;

FIG. 6 is a right plan view thereof; and,

FIG. 7 is a perspective view thereof.

The broken lines in the drawings are for the purpose of illustrating portions of the USB camera that form no part of the claimed design.

1 Claim, 7 Drawing Sheets



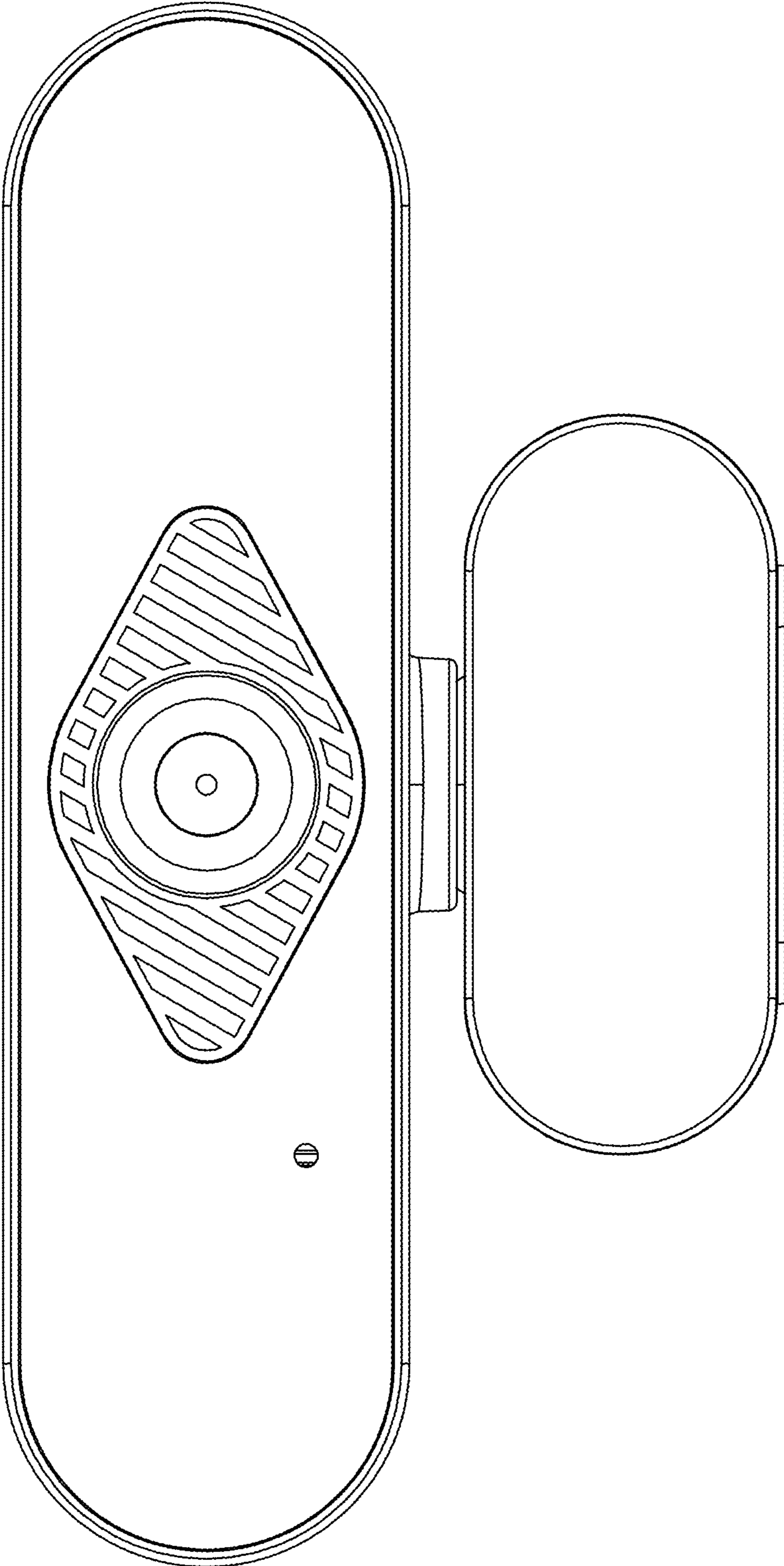


FIG.1

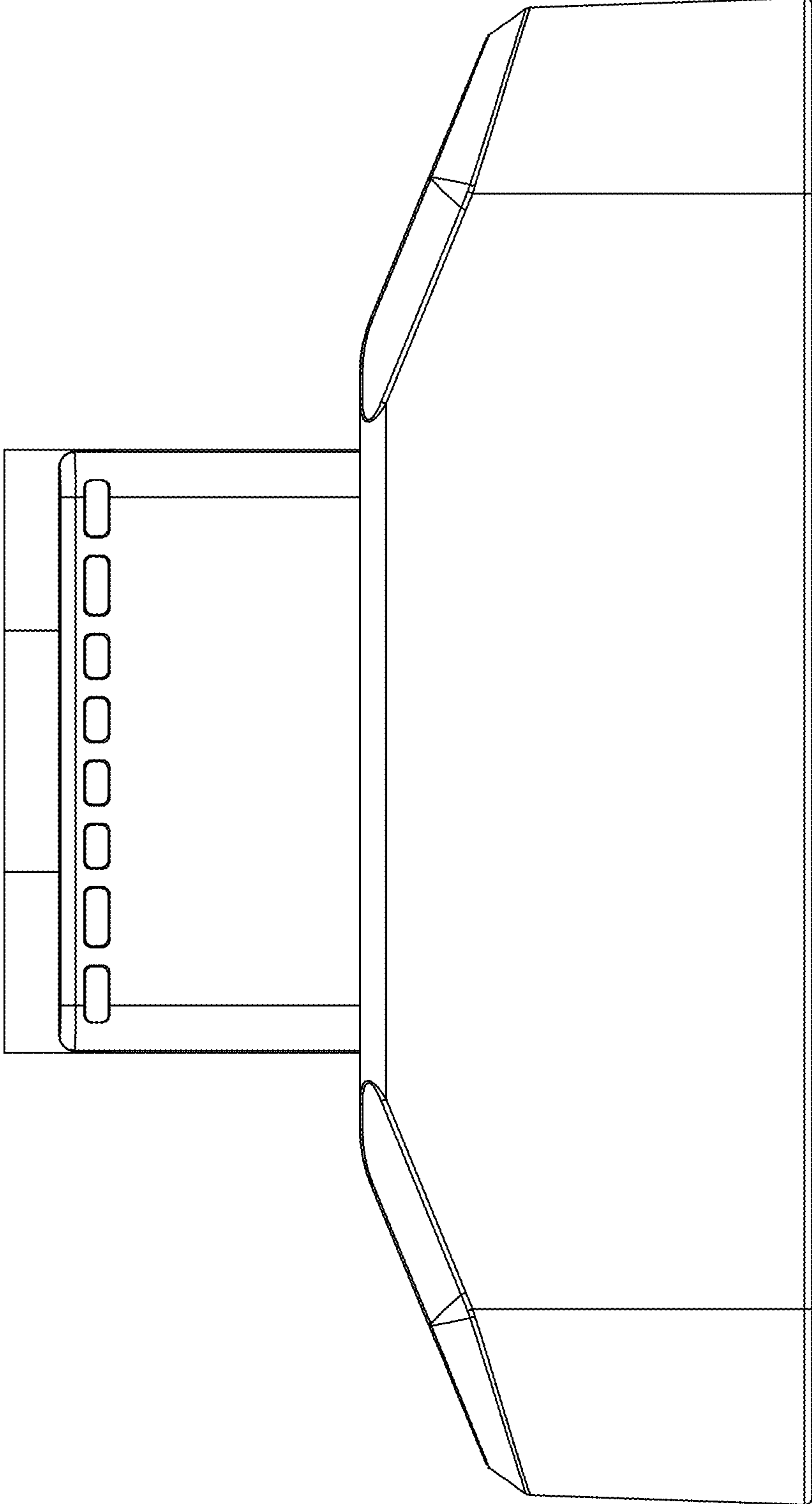


FIG.2

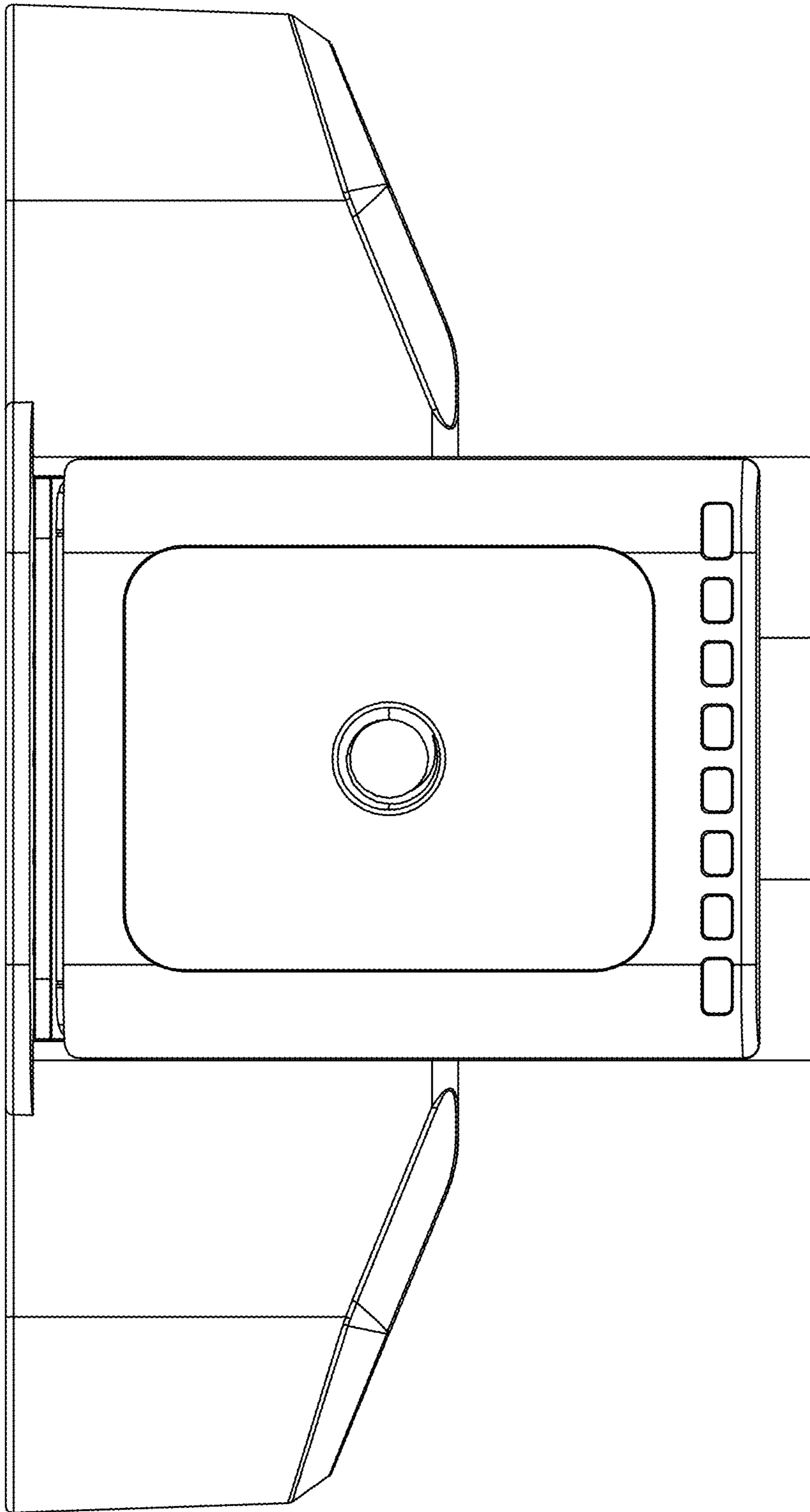


FIG.3

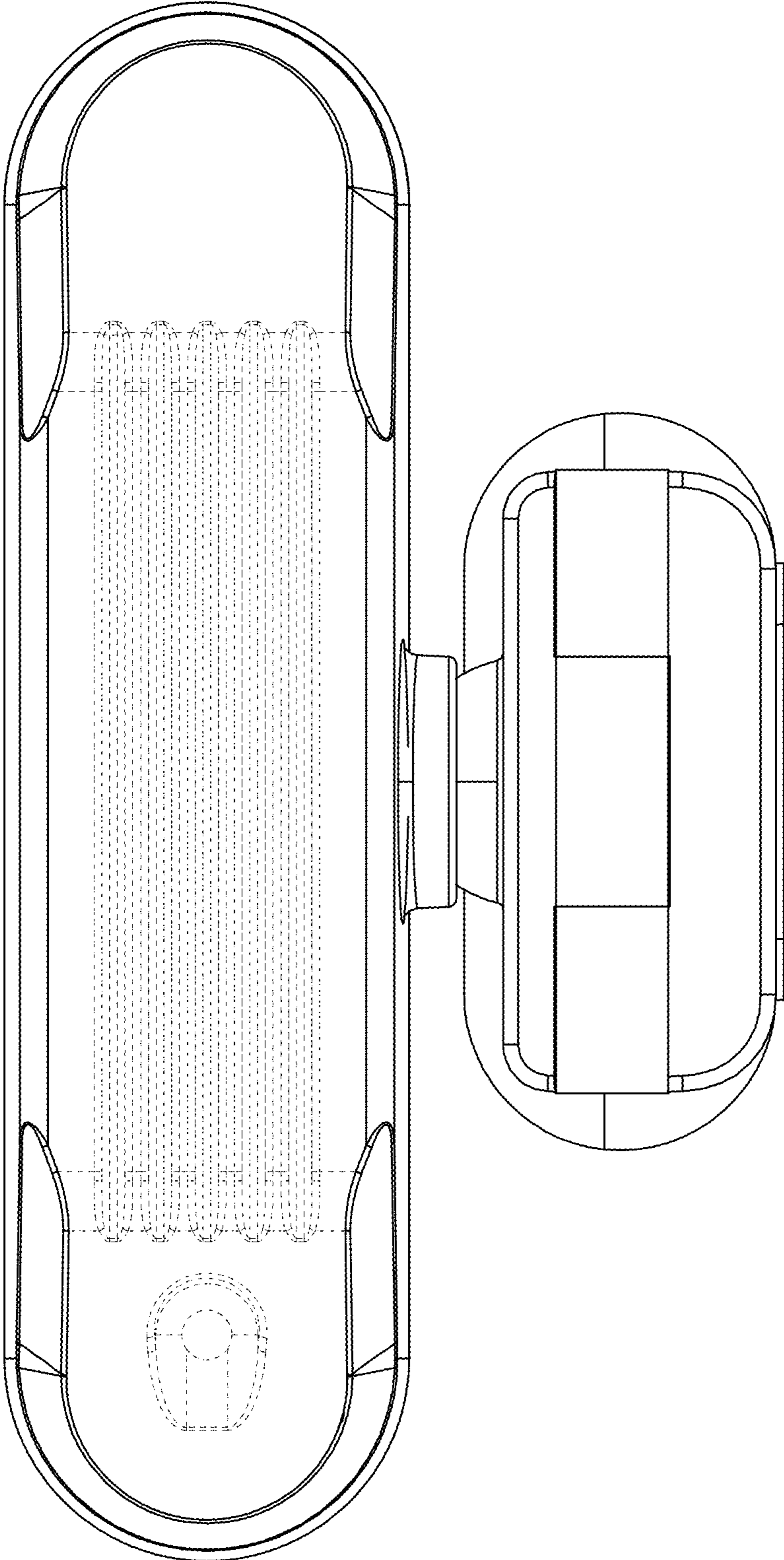


FIG.4

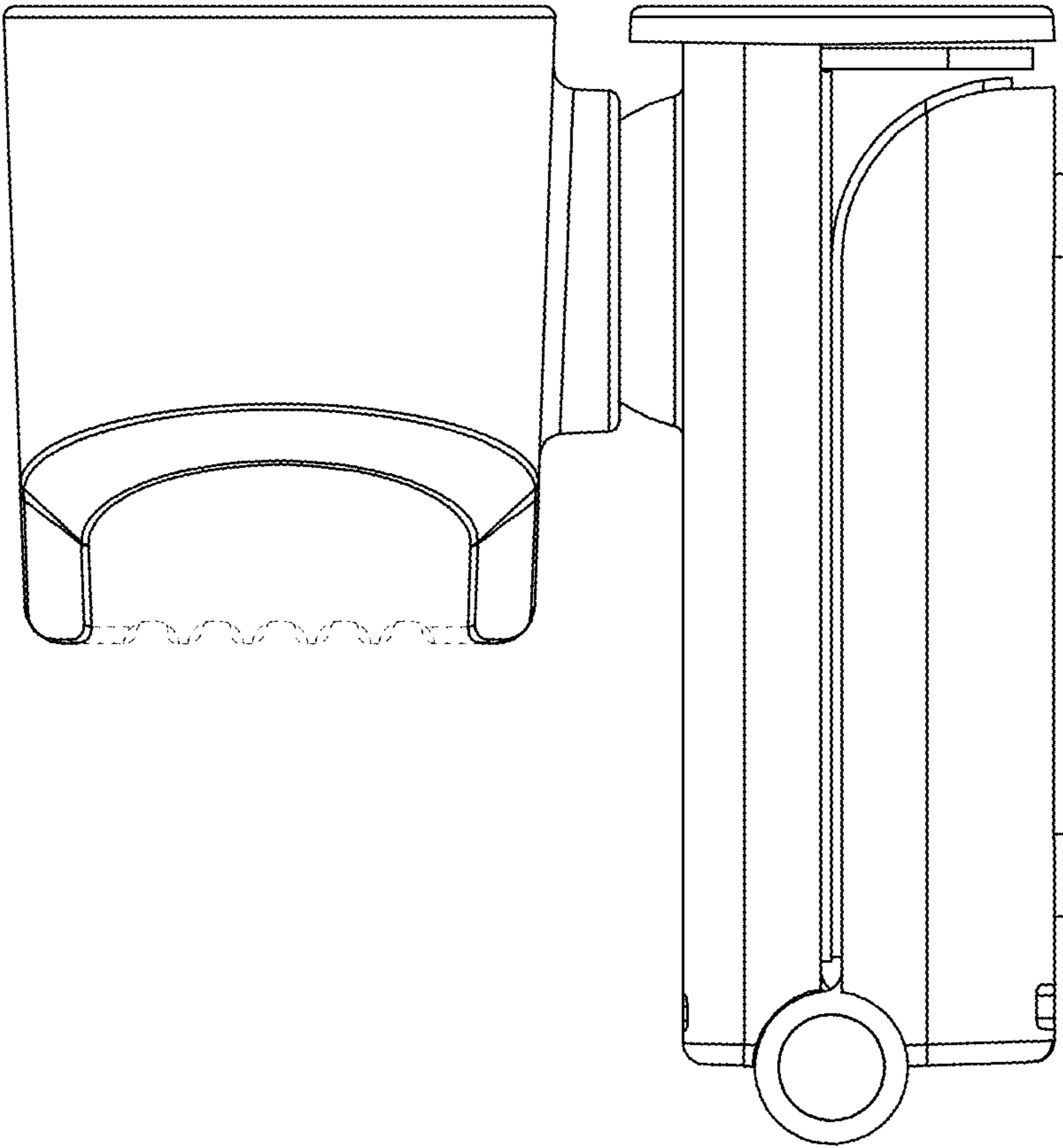


FIG.5

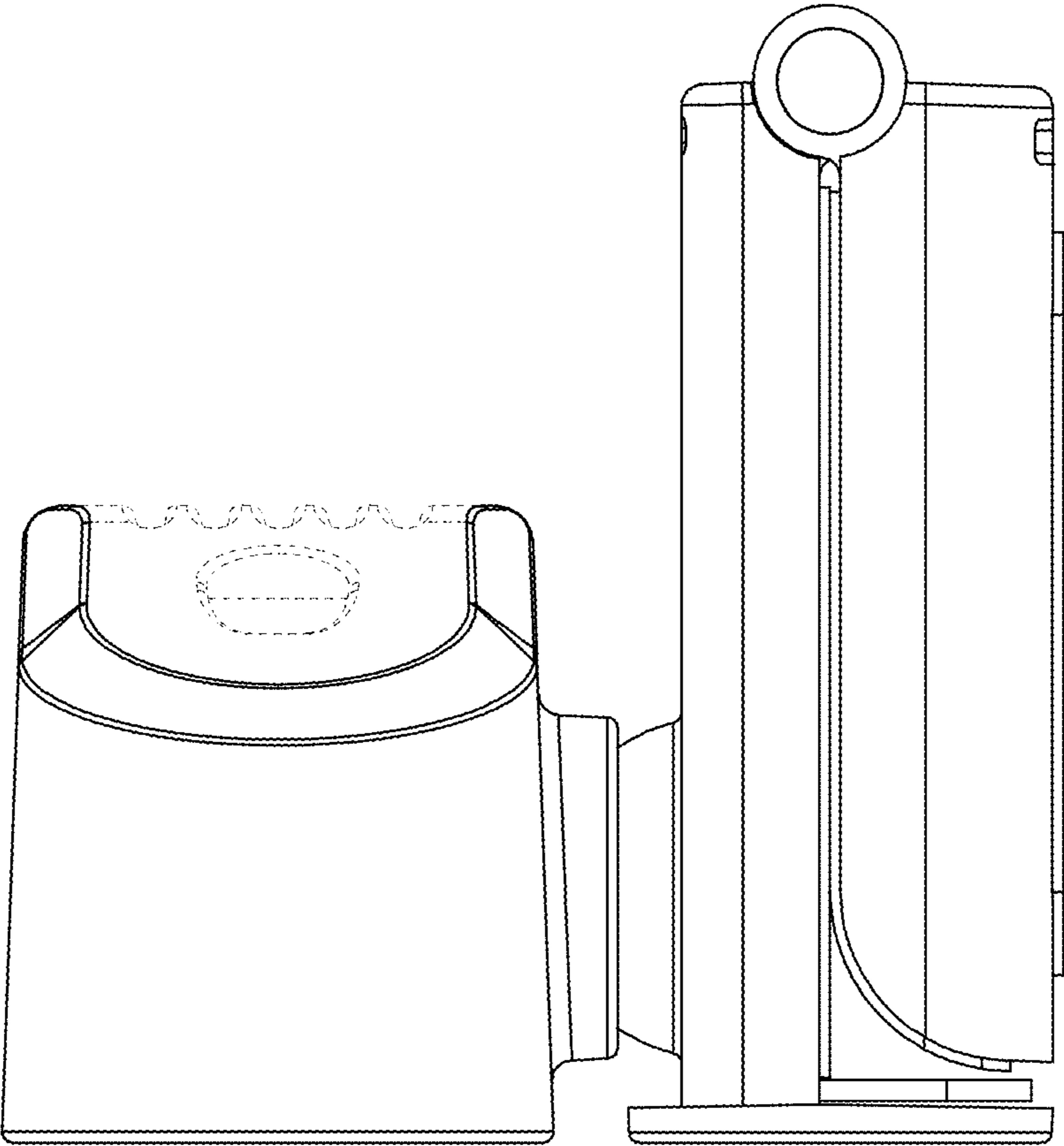


FIG.6

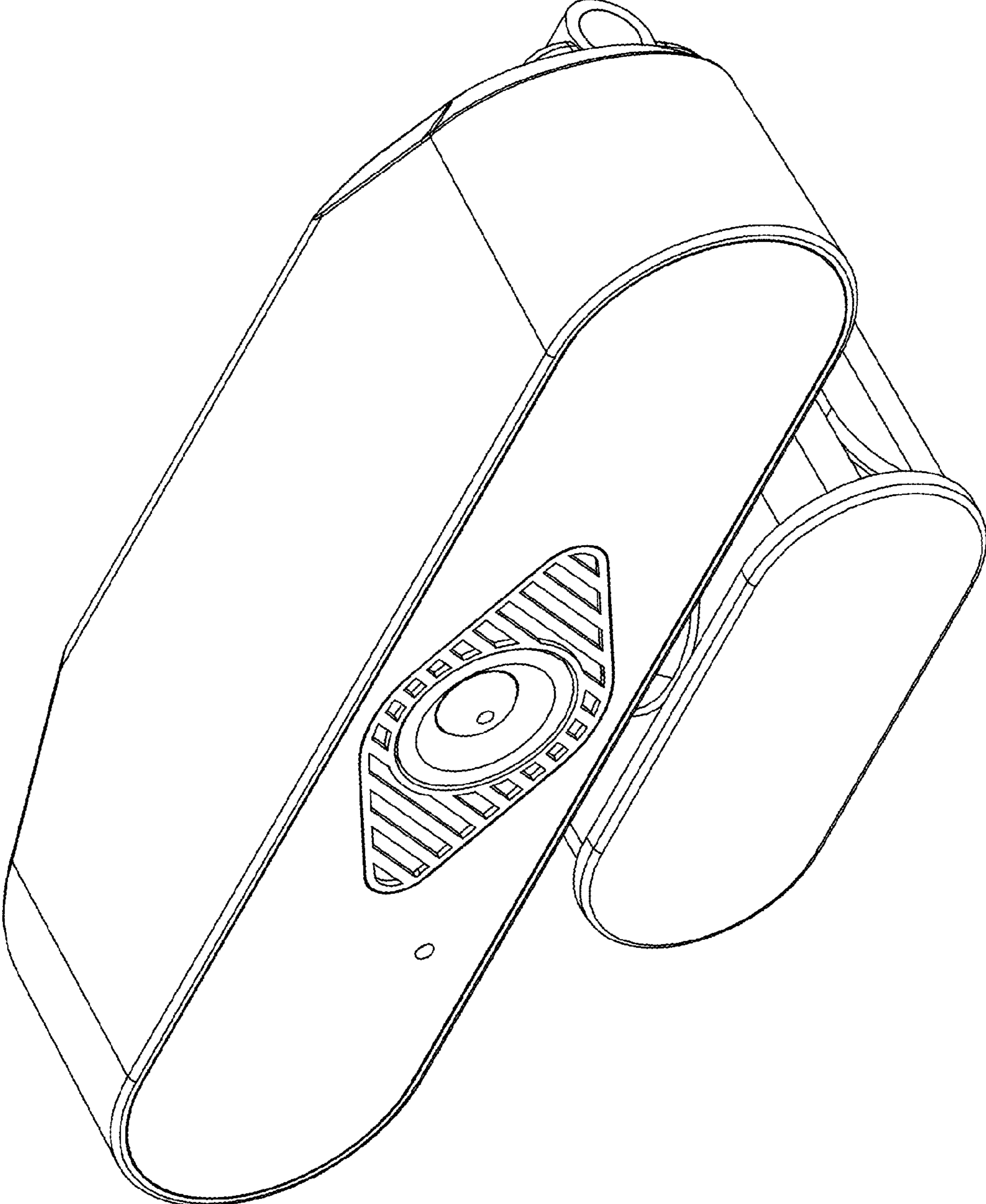


FIG.7