



US00D951318S

(12) **United States Design Patent** (10) **Patent No.:** **US D951,318 S**
Okawa et al. (45) **Date of Patent:** **** May 10, 2022**

(54) **SENSOR SIGNAL DEFLECTOR FOR AUTONOMOUS MOBILE ROBOT**

Primary Examiner — Patricia A Palasik
(74) *Attorney, Agent, or Firm* — Crowell & Moring LLP

(71) Applicant: **Panasonic Intellectual Property Management Co., Ltd.**, Osaka (JP)

(57) **CLAIM**

(72) Inventors: **Takayuki Okawa**, Tokyo (JP);
Masahiro Yamada, Osaka (JP)

We claim the ornamental design for a sensor signal deflector for an autonomous mobile robot, as shown and described.

(73) Assignee: **Panasonic Intellectual Property Management Co., Ltd.**, Osaka (JP)

DESCRIPTION

(**) Term: **15 Years**

(21) Appl. No.: **29/728,300**

(22) Filed: **Mar. 17, 2020**

(30) **Foreign Application Priority Data**

Sep. 20, 2019 (JP) 2019-021037

(51) **LOC (13) Cl.** **15-99**

(52) **U.S. Cl.**
USPC **D15/199**

(58) **Field of Classification Search**
USPC D15/199; D21/578–583, 621, 622;
D32/21; D34/34

CPC B25J 5/007; B25J 11/00; B25J 11/008;
B62D 57/024; G06N 3/008; Y10S 901/01
See application file for complete search history.

(56) **References Cited**

U.S. PATENT DOCUMENTS

D651,605 S * 1/2012 Bouaziz D14/434
D684,155 S * 6/2013 Hsu D14/434
D748,193 S * 1/2016 Chung D18/56

(Continued)

FOREIGN PATENT DOCUMENTS

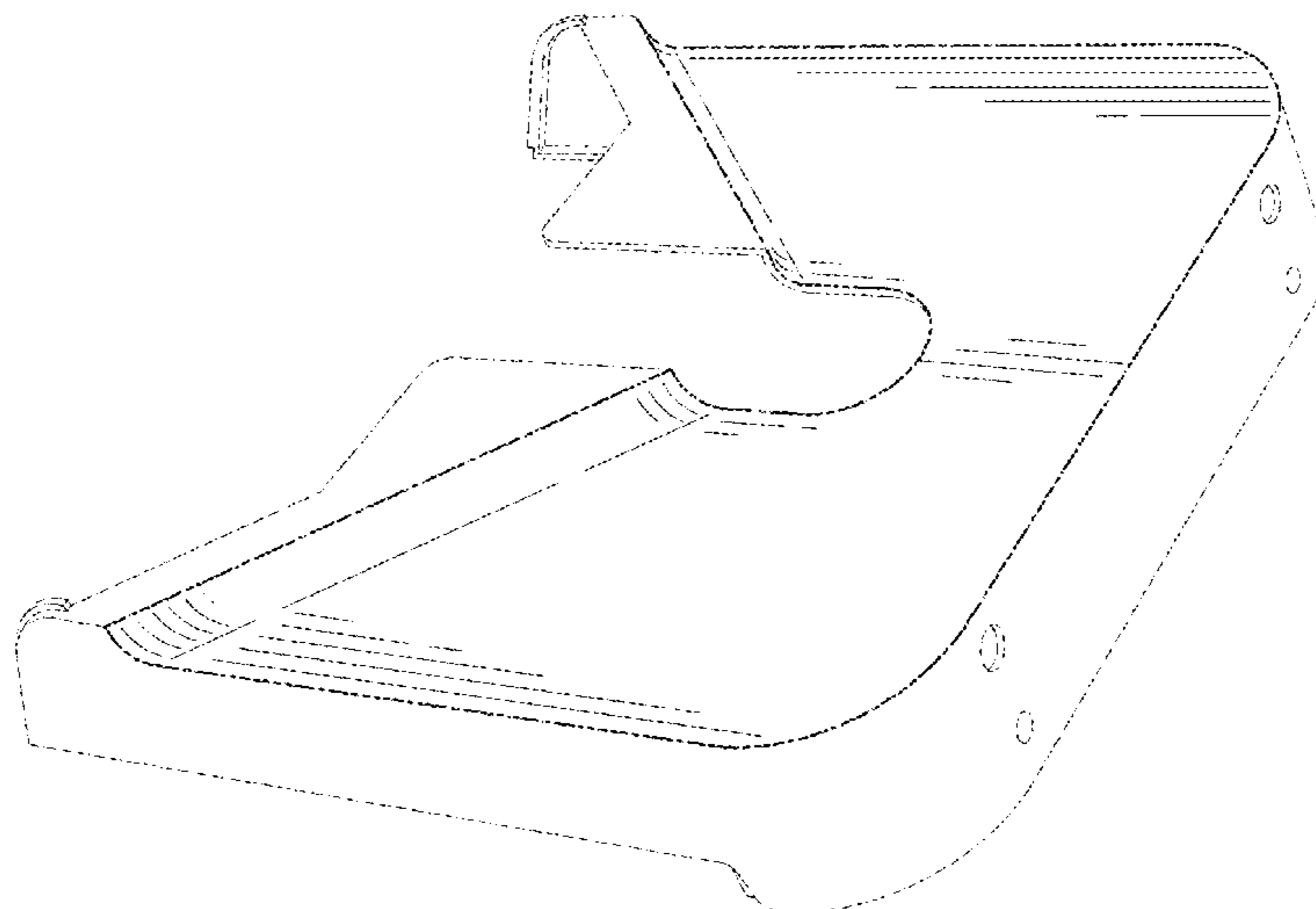
JP 1531951 S 8/2015
JP 1571378 S 3/2017

(Continued)

FIG. 1 is a front perspective view of a sensor signal deflector for an autonomous mobile robot according to a first embodiment of the present invention;
 FIG. 2 is a rear perspective view thereof;
 FIG. 3 is a top perspective view thereof;
 FIG. 4 is a top view thereof;
 FIG. 5 is a bottom view thereof;
 FIG. 6 is a first side view thereof;
 FIG. 7 is a second side view thereof;
 FIG. 8 is a front view thereof;
 FIG. 9 is a rear view thereof;
 FIG. 10 is a front perspective view of a sensor signal deflector for an autonomous mobile robot according to a second embodiment of the present invention;
 FIG. 11 is a rear perspective view thereof;
 FIG. 12 is a front view thereof;
 FIG. 13 is a rear view thereof;
 FIG. 14 is a first side view thereof;
 FIG. 15 is a second side view thereof;
 FIG. 16 is a top view thereof;
 FIG. 17 is a bottom view thereof; and,
 FIG. 18 is an exploded view thereof showing the sensor signal deflector for the autonomous mobile robot.

The ornamental design which is claimed is shown in solid lines in the drawings. The broken lines in the drawings form no part of the claimed design. Broken lines formed by equal length dashes show unclaimed subject matter. Broken lines formed of unequal length dashes (i.e., dash-dot) define bounds of the claimed design.

1 Claim, 16 Drawing Sheets



(56)

References Cited

U.S. PATENT DOCUMENTS

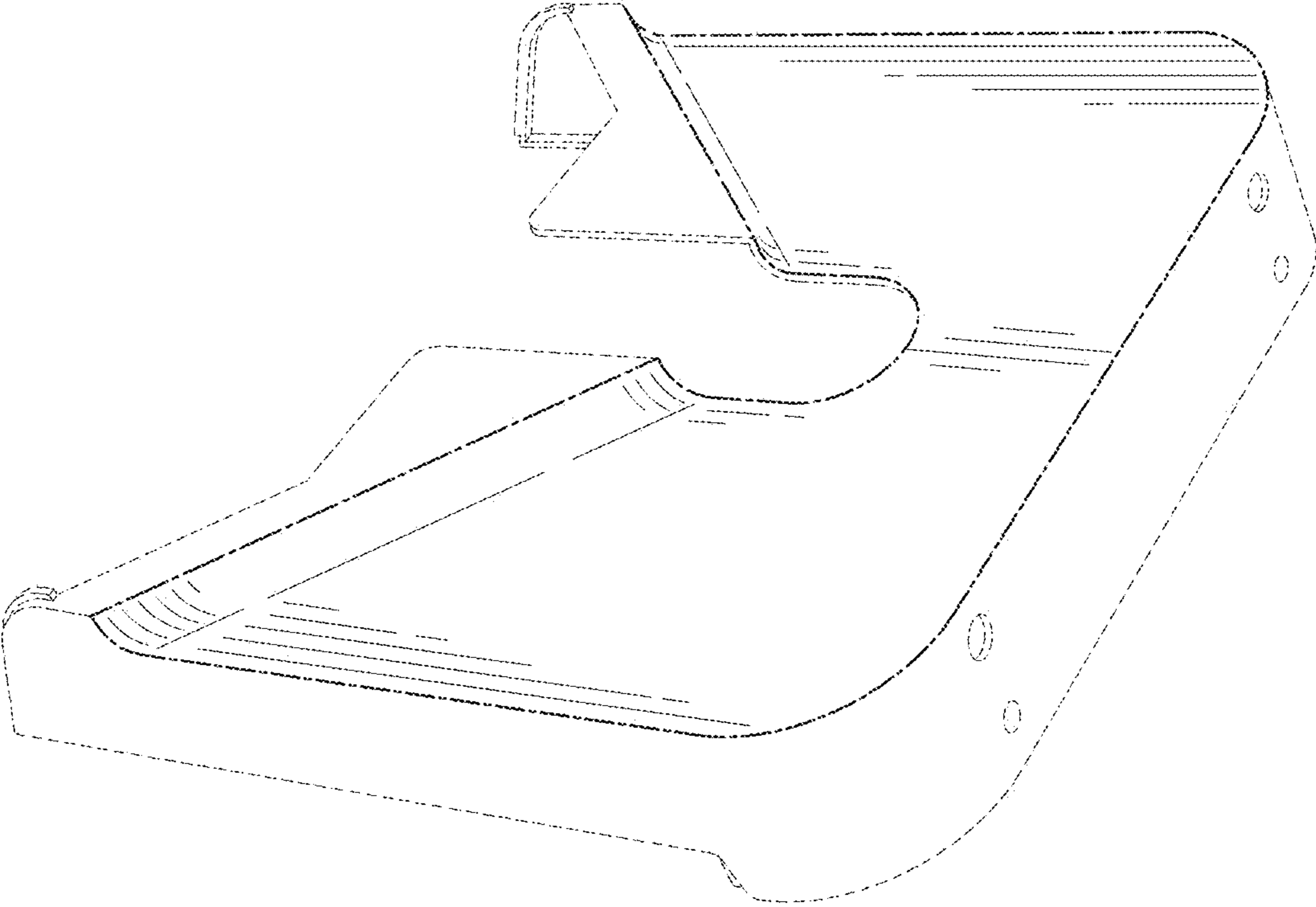
D804,118 S * 11/2017 Kim D32/25
D810,167 S * 2/2018 Yang D15/199
D813,285 S * 3/2018 Wei D15/199
D816,086 S * 4/2018 Chen D14/434
D835,693 S * 12/2018 Lee D15/199
D851,148 S * 6/2019 Wang D15/199
D881,249 S * 4/2020 Kim D15/199
D919,687 S * 5/2021 Song D15/199
D920,411 S * 5/2021 Zheng D15/199
D921,083 S * 6/2021 Hernandez D15/199
D934,932 S * 11/2021 Han D15/199
D934,933 S * 11/2021 Cho D15/199
2015/0018056 A1 * 1/2015 Gillikin H04M 1/04
455/575.8

FOREIGN PATENT DOCUMENTS

JP 1628103 S 4/2019
JP 1634642 S 6/2019

* cited by examiner

FIG. 1



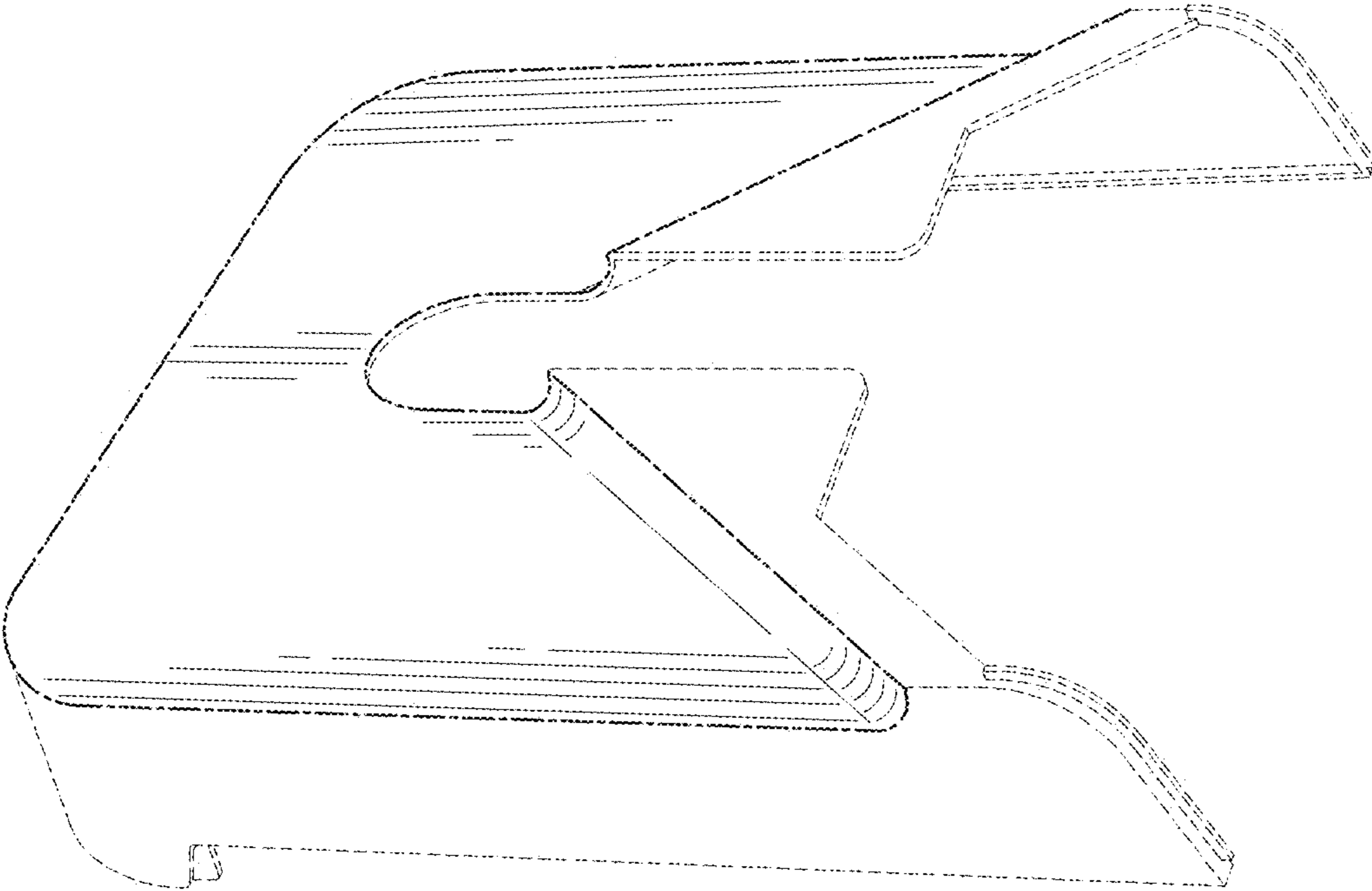


FIG. 2

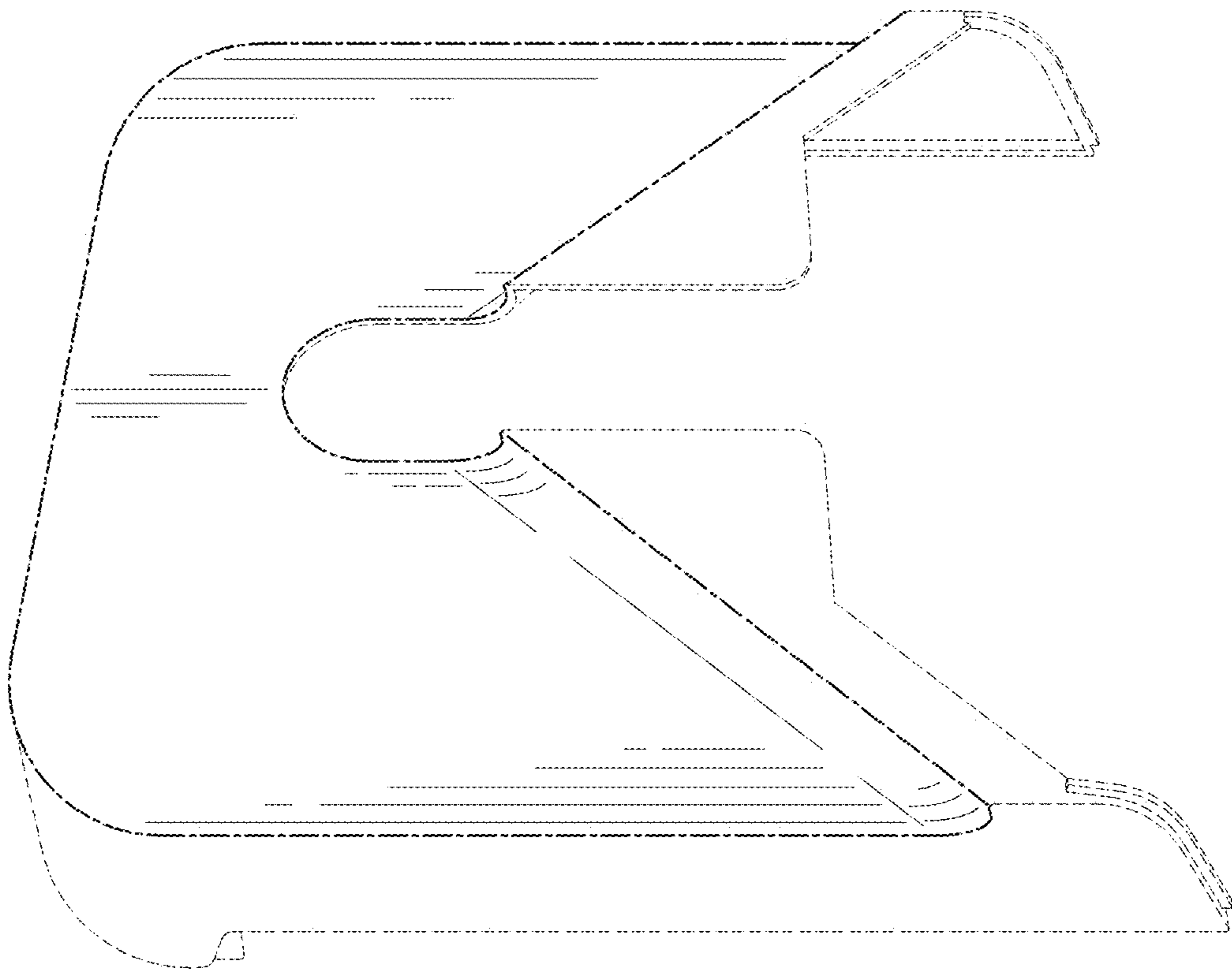


FIG. 3

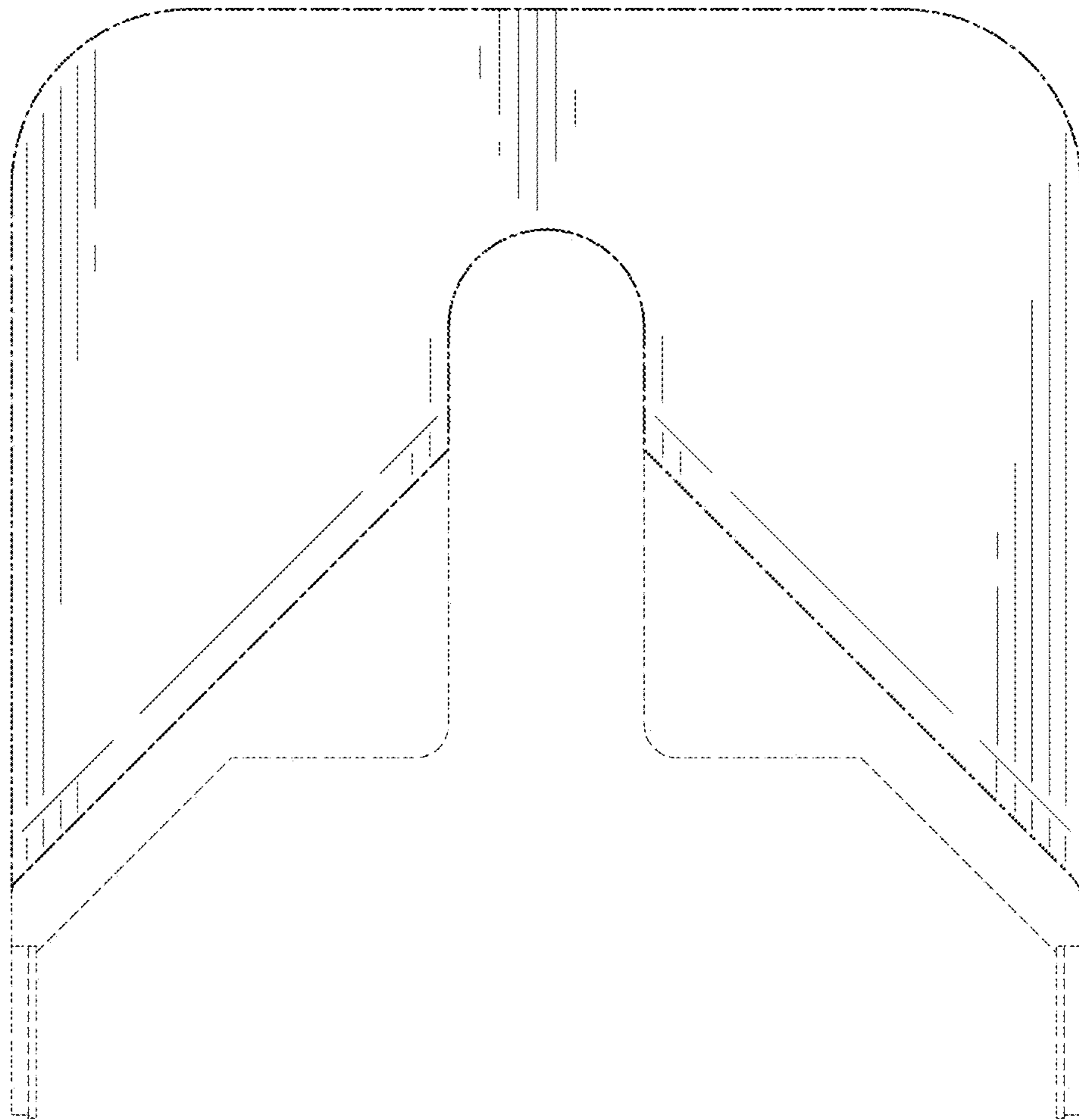


FIG. 4

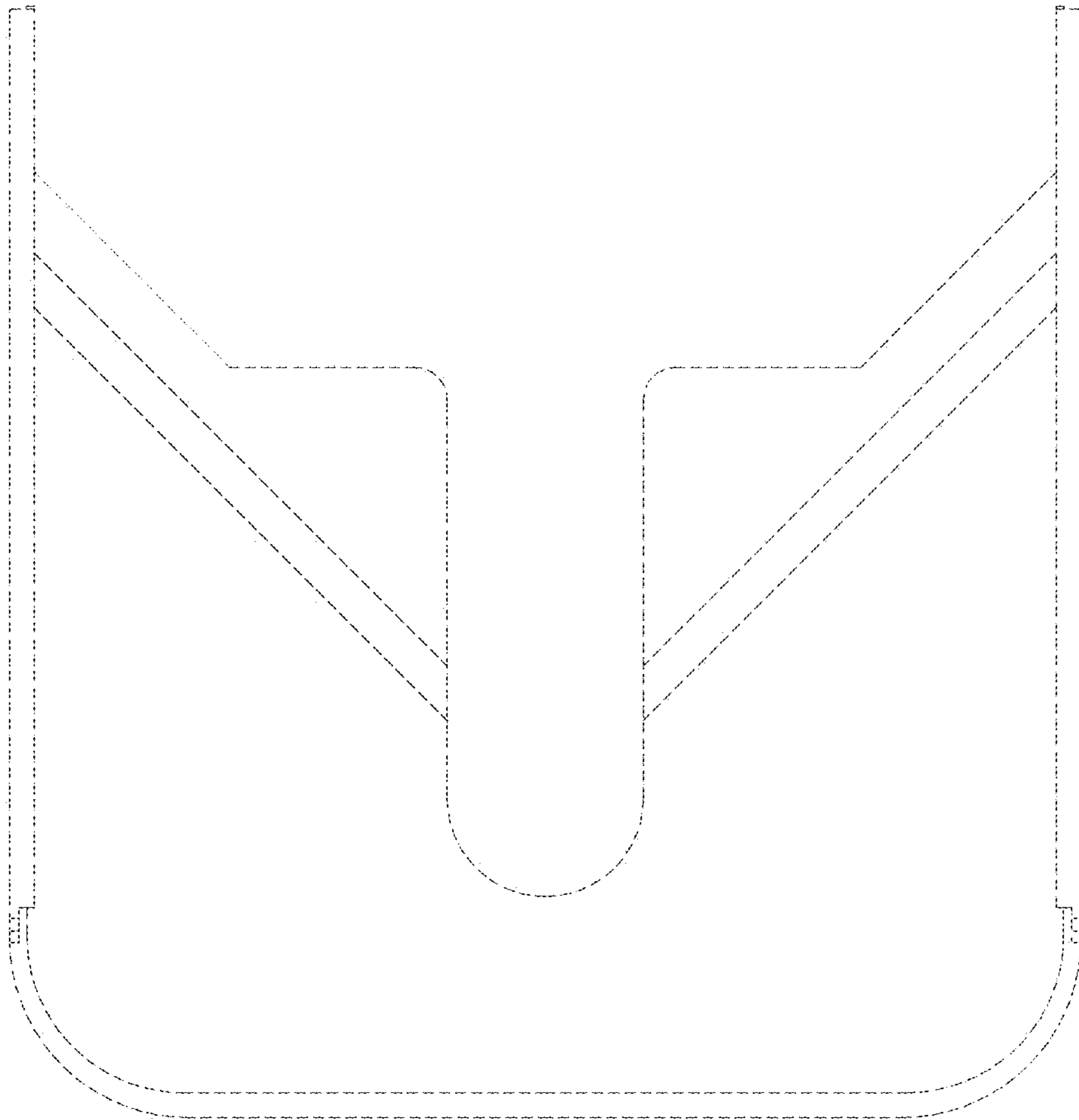


FIG. 5

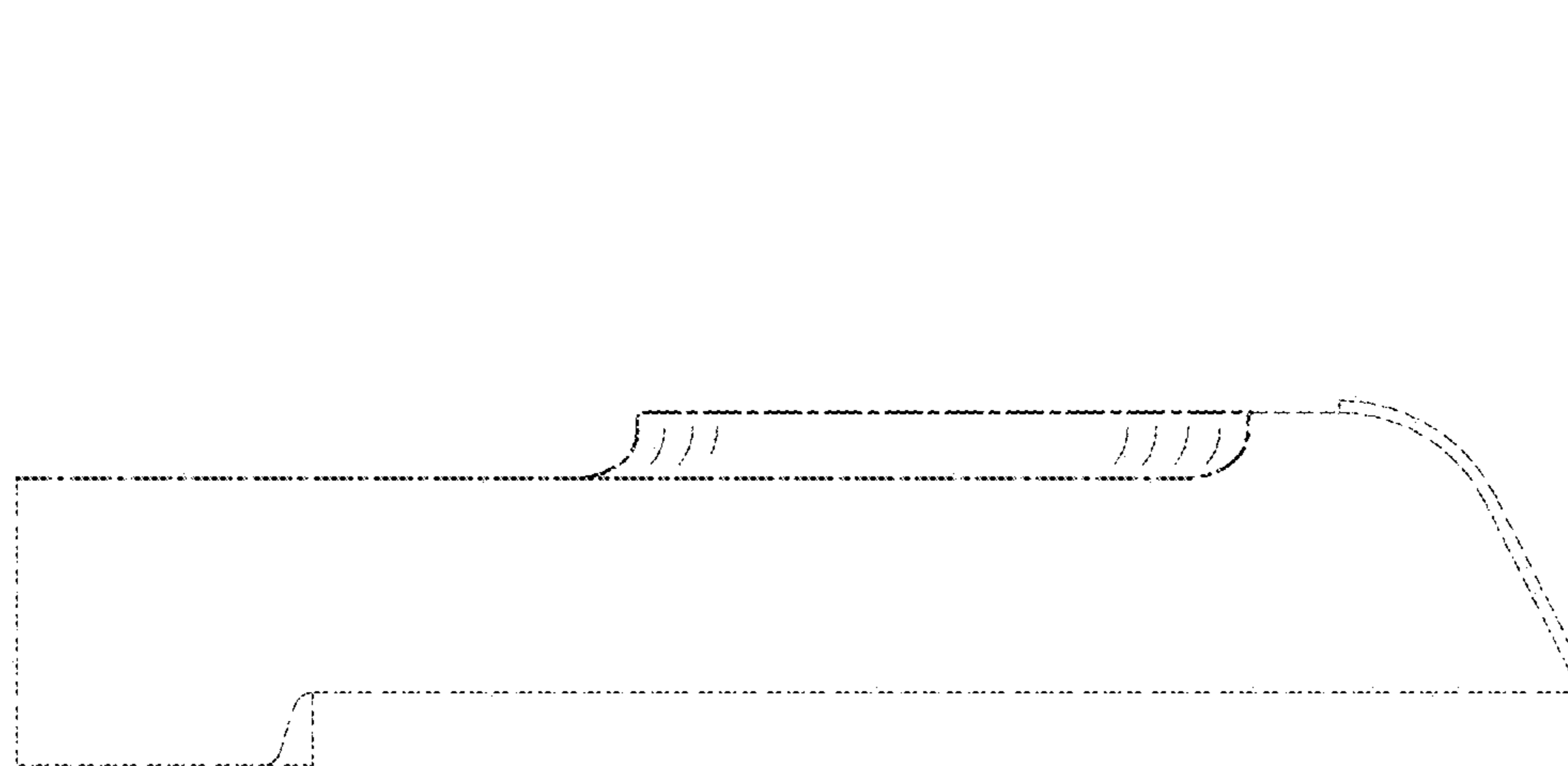


FIG. 6

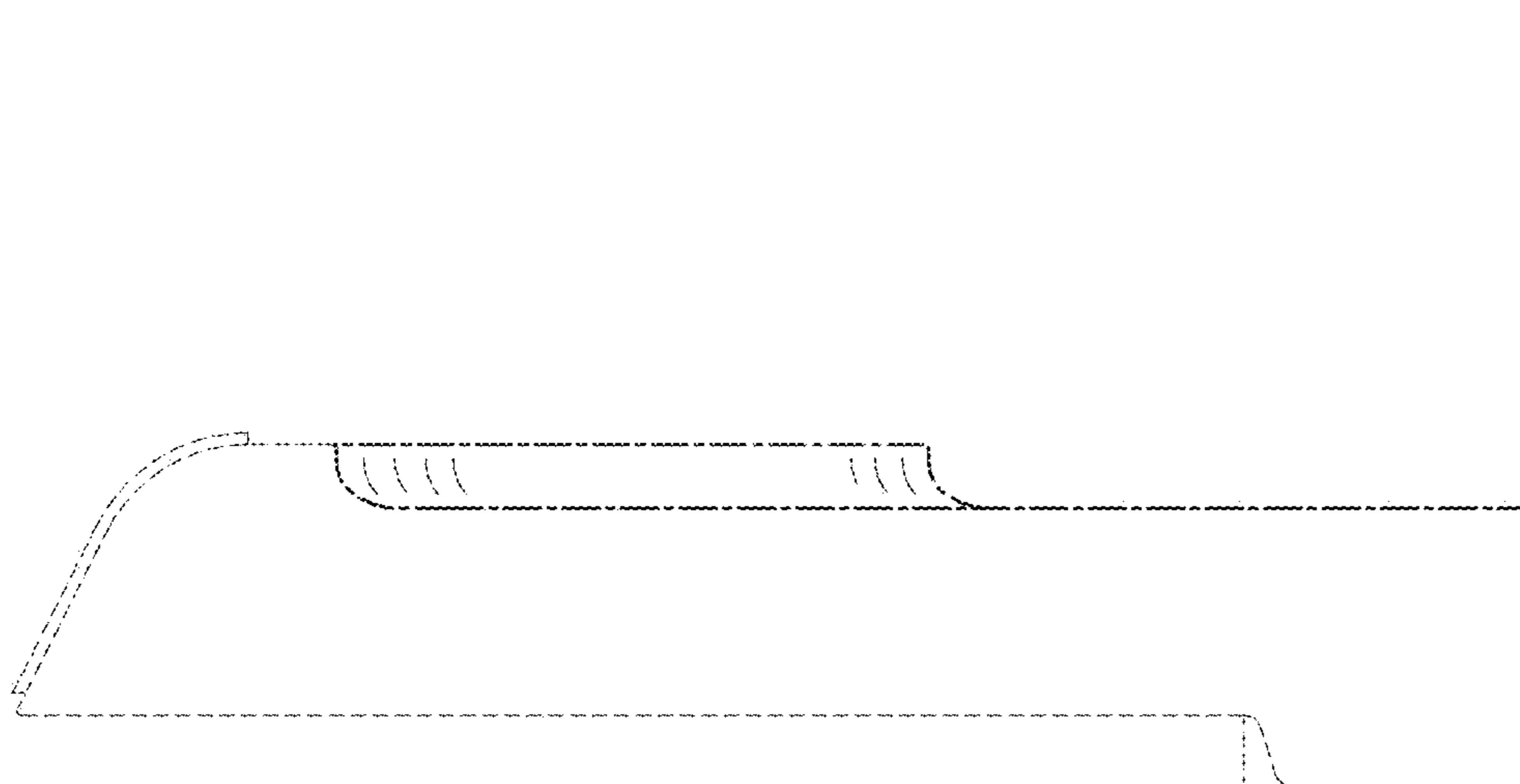


FIG. 7

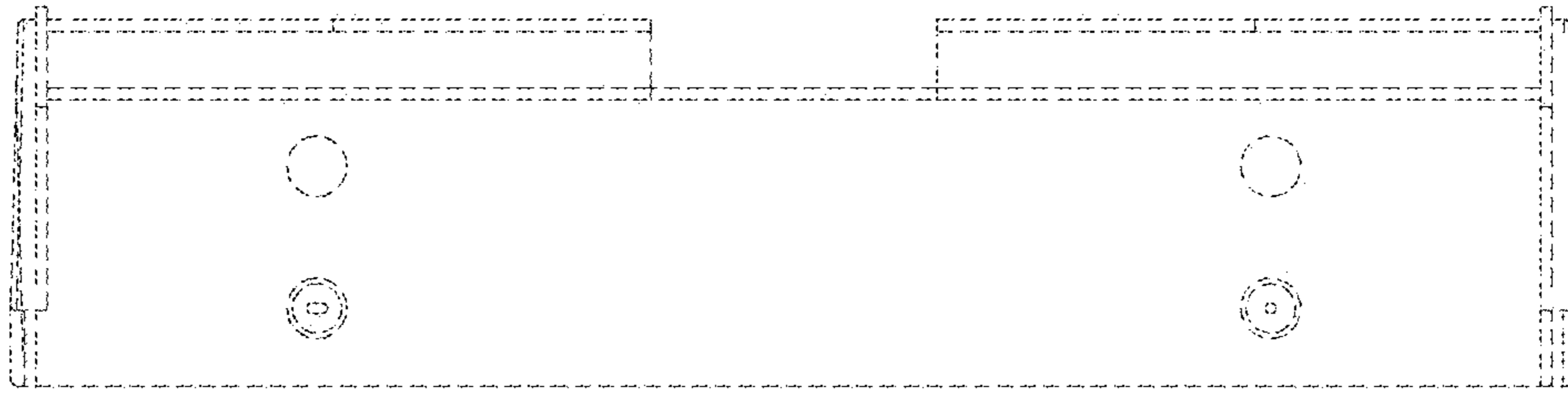


FIG. 8

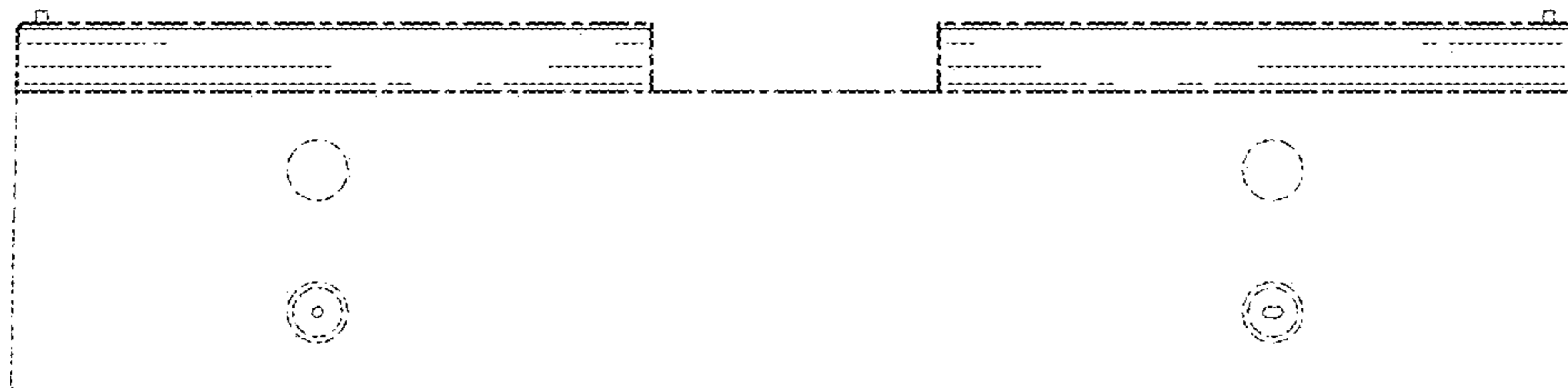


FIG. 9

FIG. 10

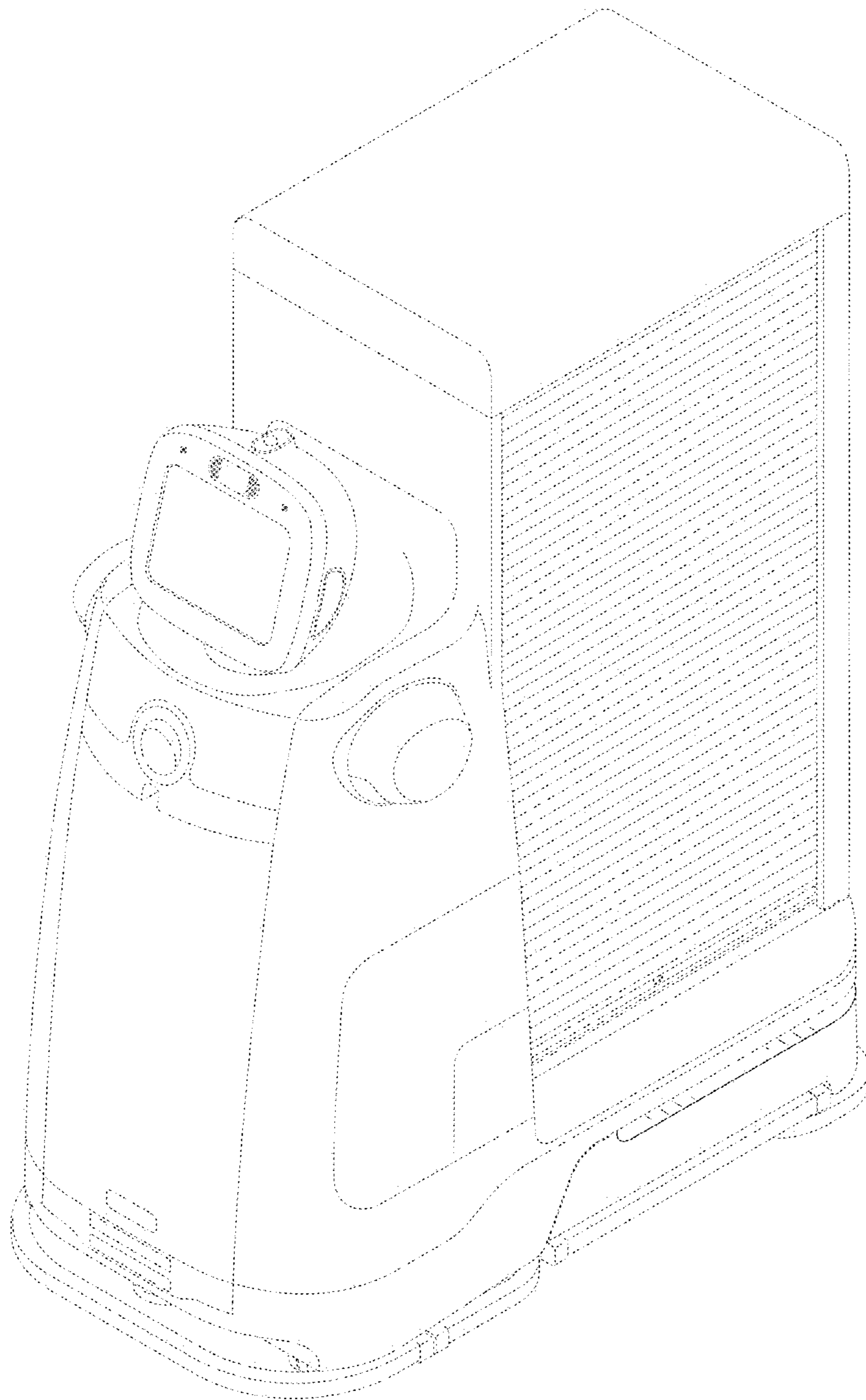


FIG. 11

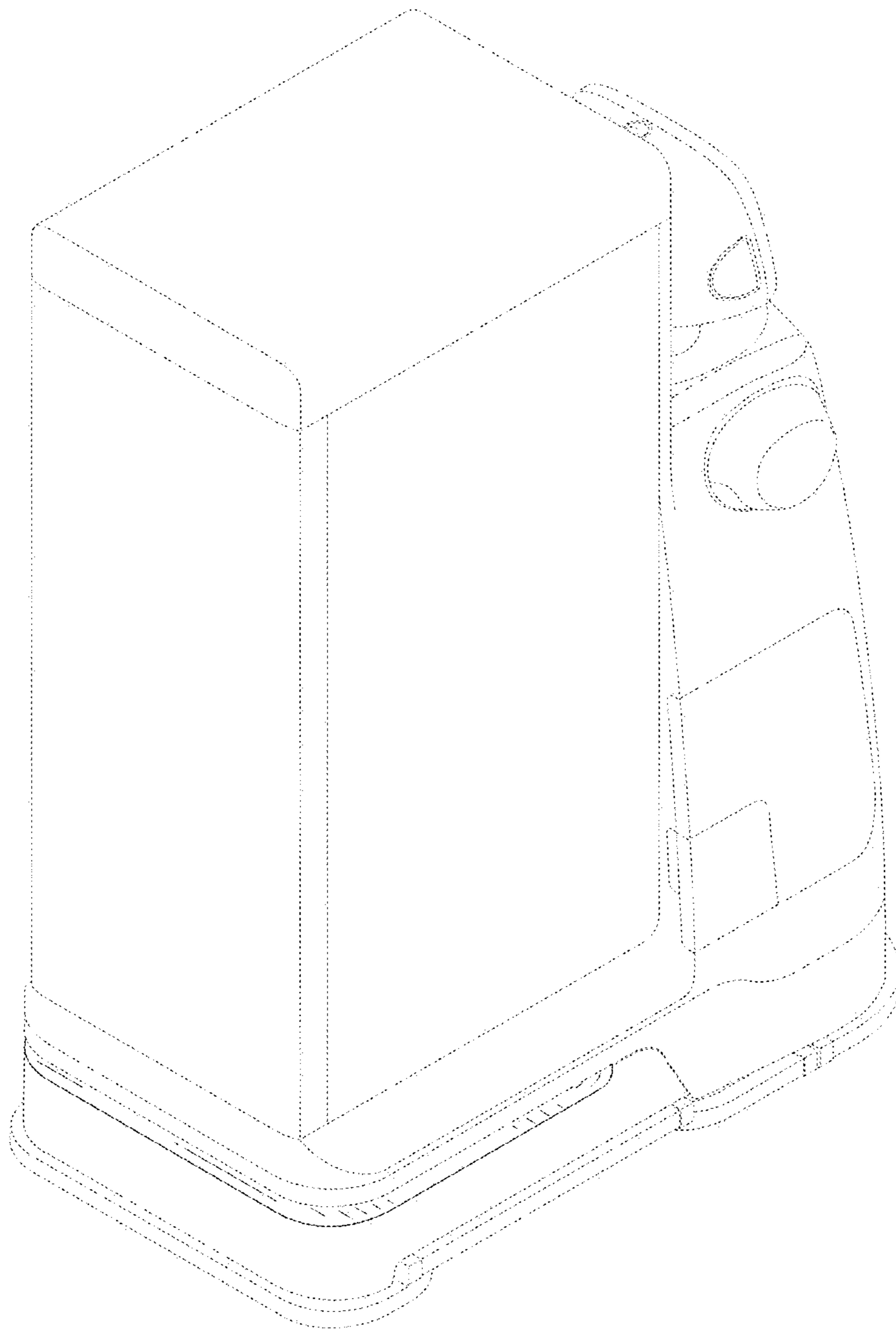


FIG. 12

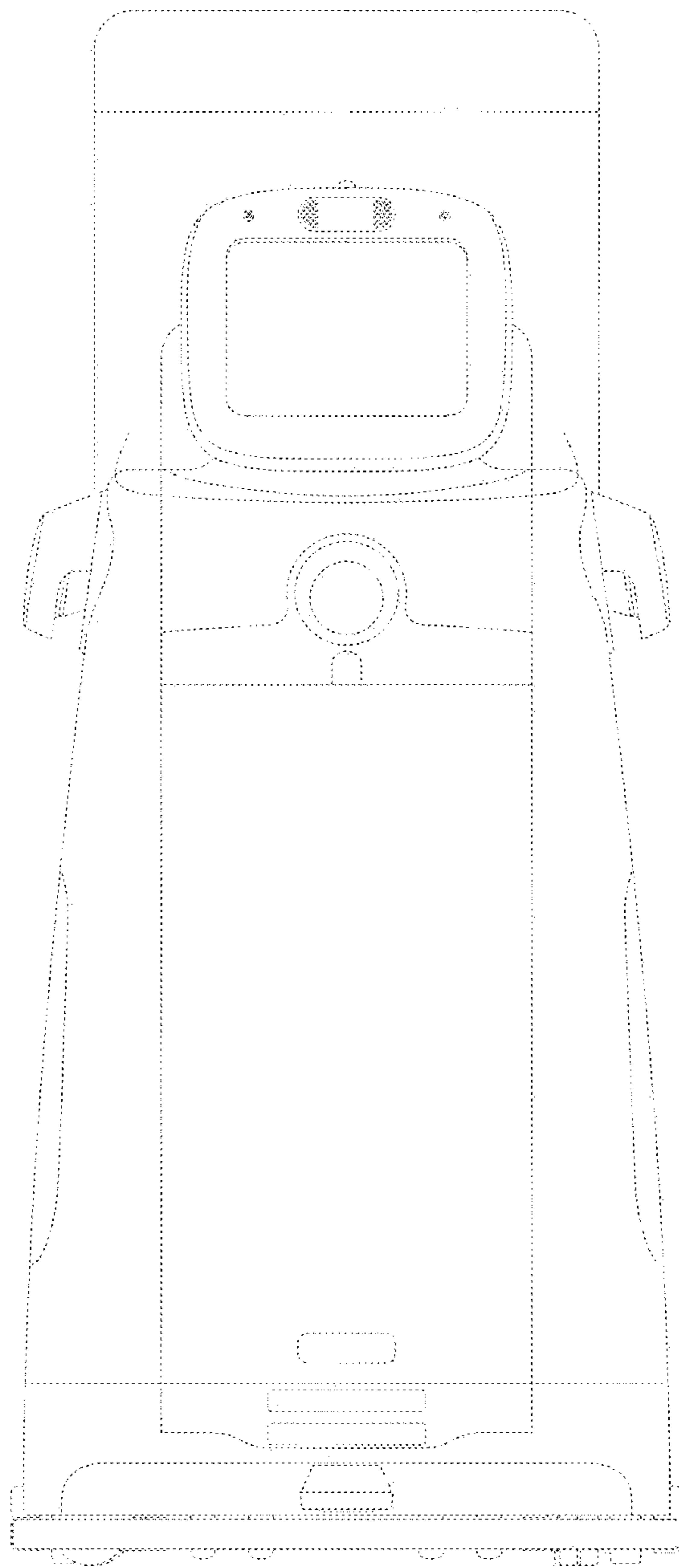


FIG. 13

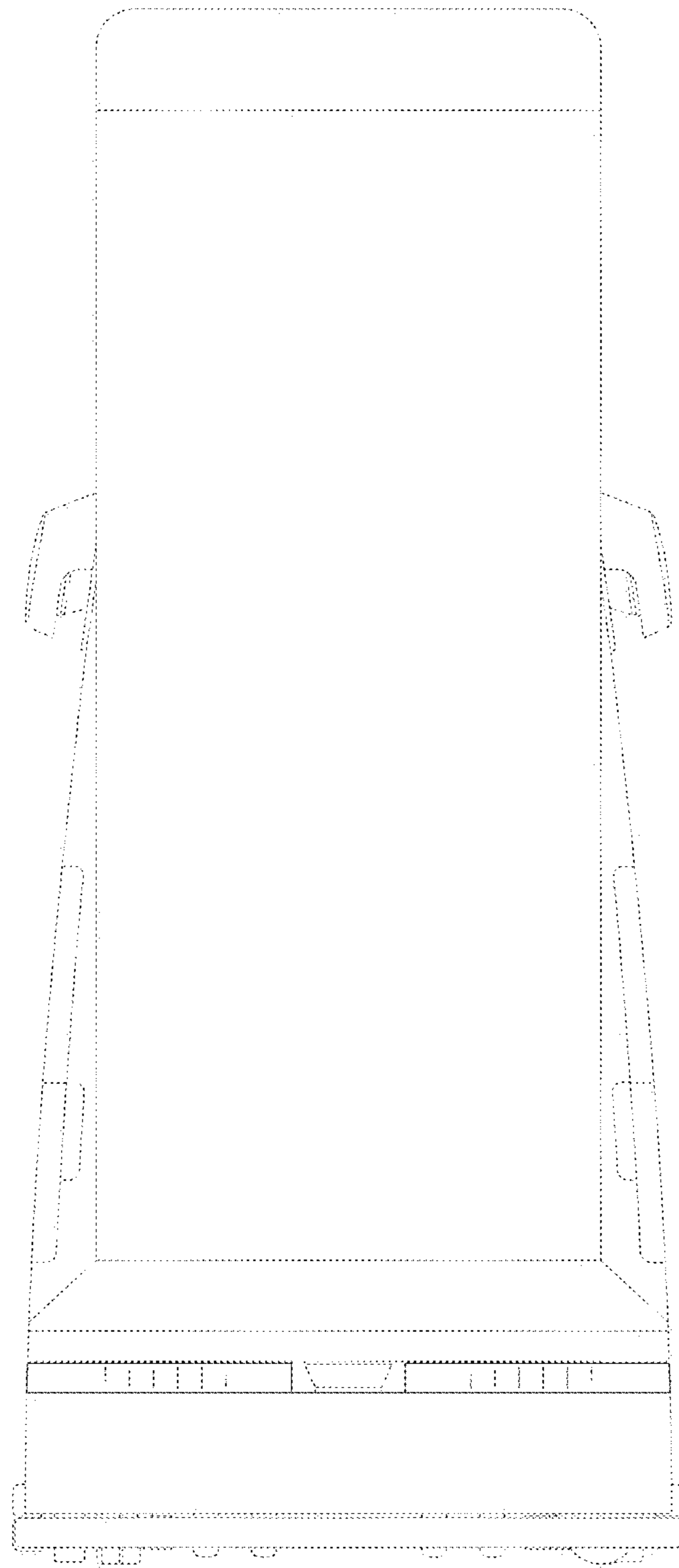


FIG. 14

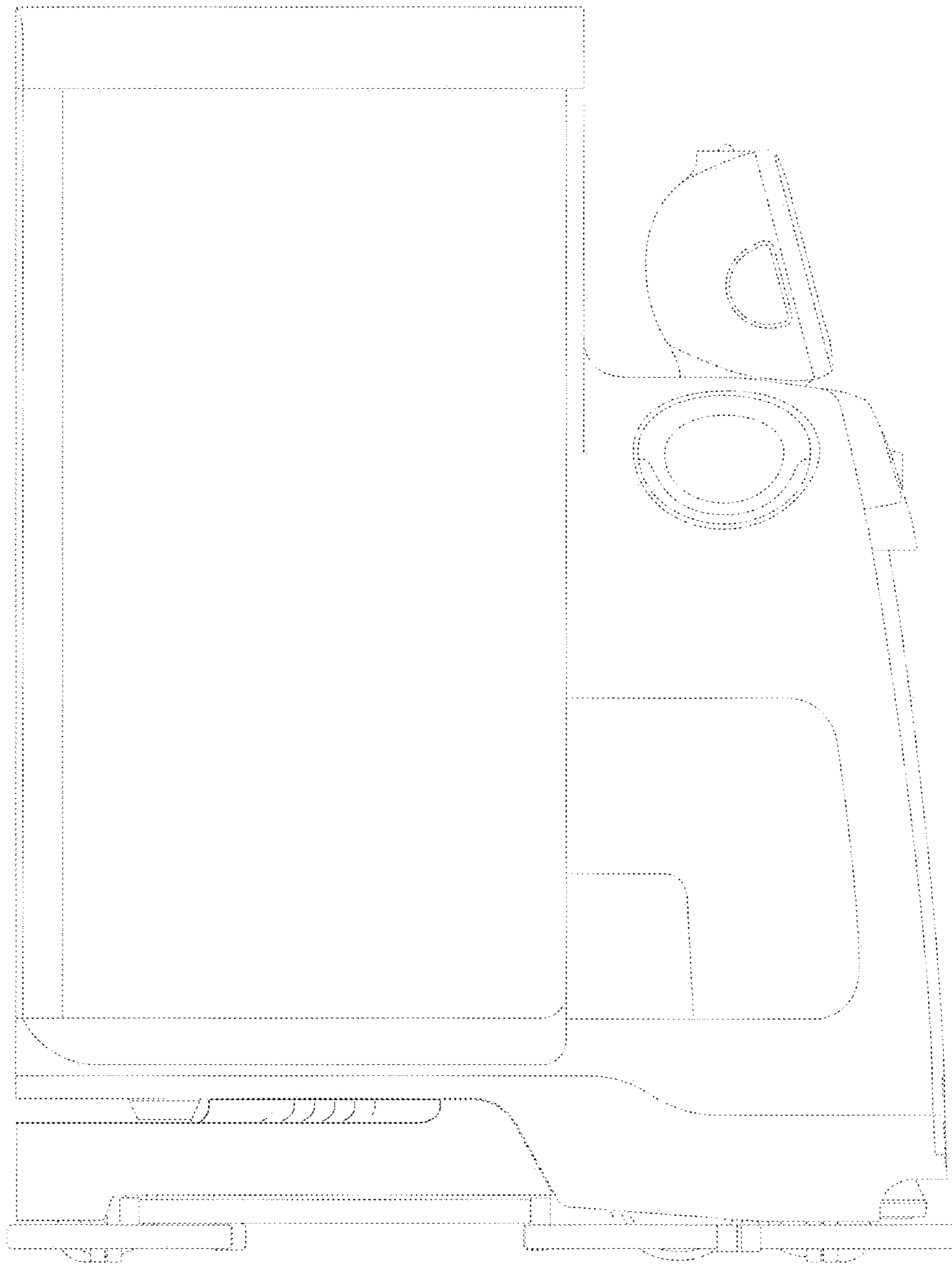


FIG. 15

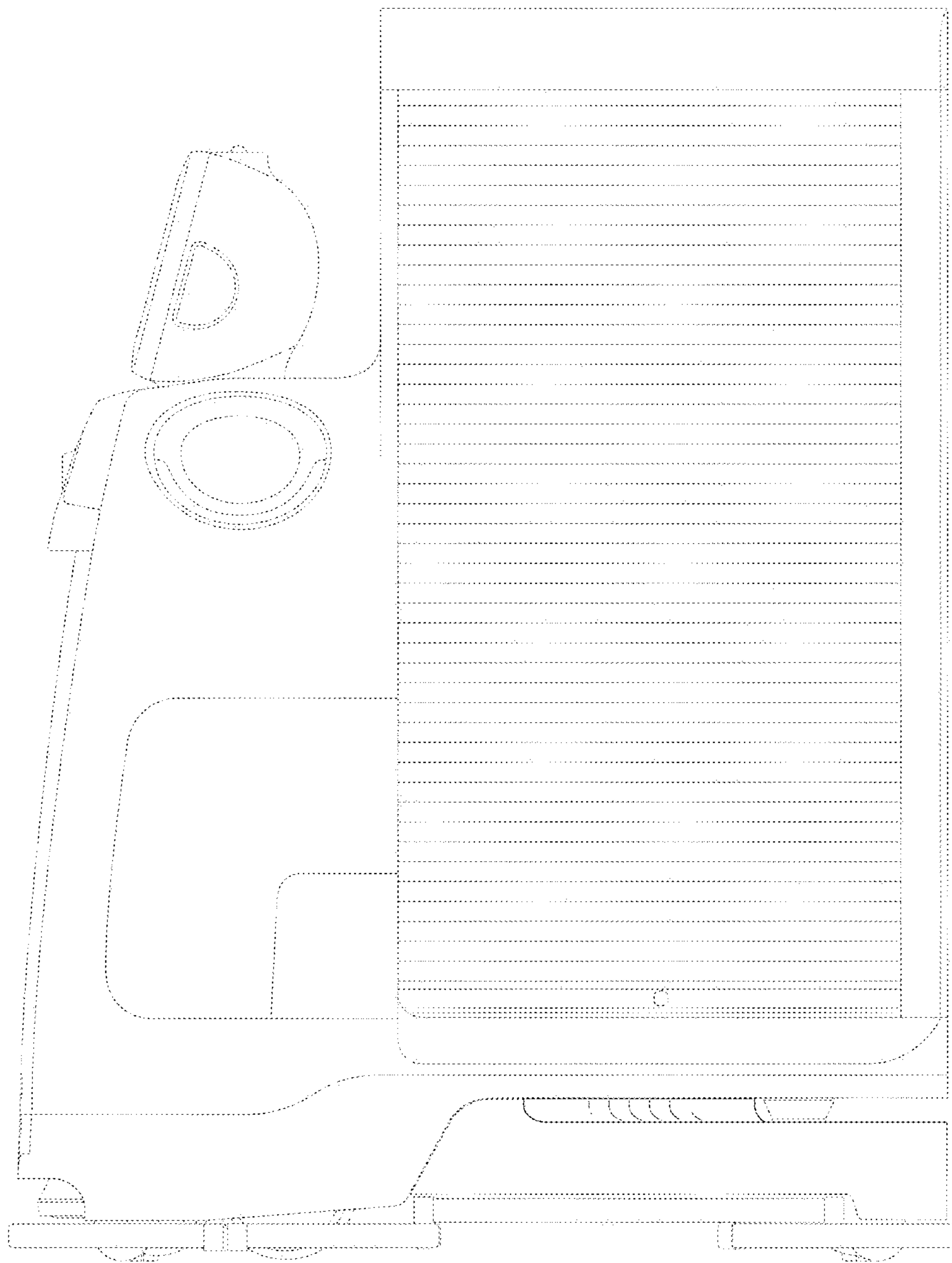


FIG. 16

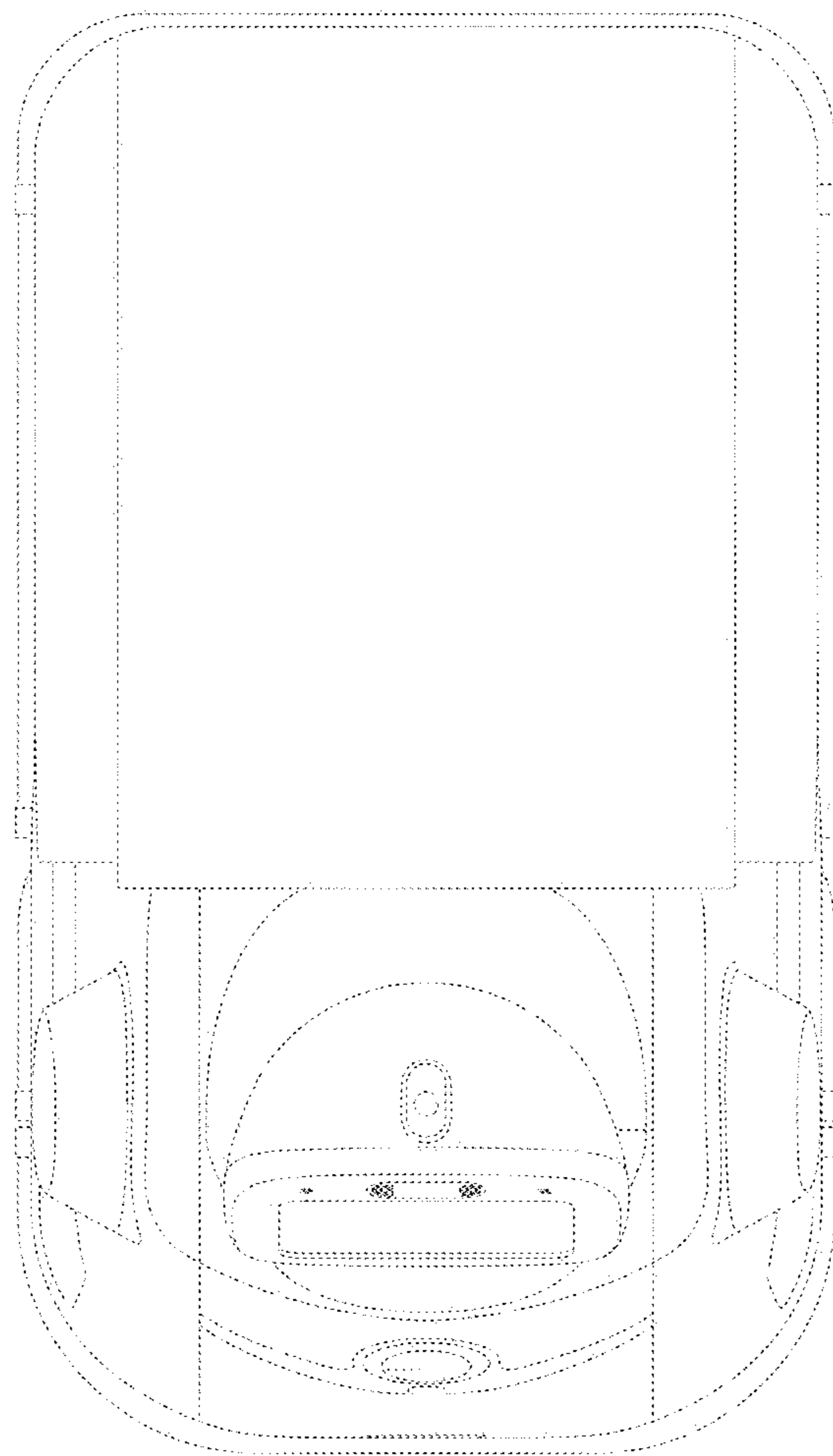


FIG. 17

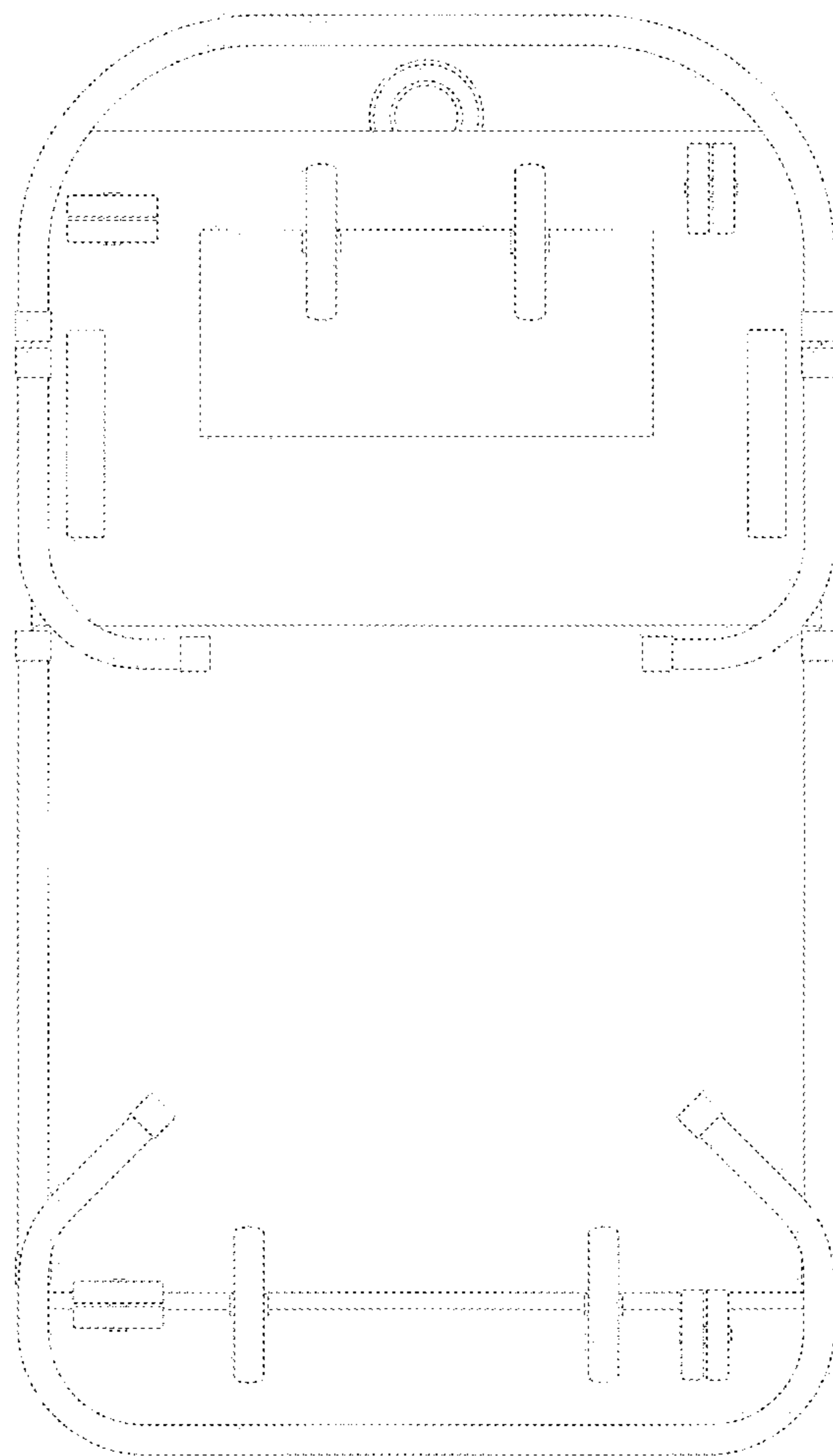


FIG. 18

