



US00D951314S

(12) **United States Design Patent** (10) **Patent No.:** **US D951,314 S**
Yu (45) **Date of Patent:** **** May 10, 2022**

(54) **WOODWORKING SHARPENING JIG**

(71) Applicant: **Hsi-Hui Yu**, Taichung (TW)

(72) Inventor: **Hsi-Hui Yu**, Taichung (TW)

(**) Term: **15 Years**

(21) Appl. No.: **29/757,902**

(22) Filed: **Nov. 10, 2020**

(51) **LOC (13) Cl.** **15-09**

(52) **U.S. Cl.**
USPC **D15/140; D15/138**

(58) **Field of Classification Search**
USPC D8/62, 63, 70, 71, 72, 90-91, 394-398;
D15/138, 139, 140, 141
CPC B24B 3/34; B24D 15/06
See application file for complete search history.

(56) **References Cited**

U.S. PATENT DOCUMENTS

2,864,206	A *	12/1958	Lane	B24B 19/16
					451/555
D189,319	S *	11/1960	Verderber	D15/140
3,011,366	A *	12/1961	Sandven	B24B 3/36
					451/367
3,393,476	A *	7/1968	York	B24B 3/247
					451/375
D214,092	S *	5/1969	Bogaerts	D15/140
4,404,873	A *	9/1983	Radish	B24D 15/06
					76/82

(Continued)

FOREIGN PATENT DOCUMENTS

GB 2585475 A * 1/2021 B23D 59/006

Primary Examiner — Patricia A Palasik

(74) *Attorney, Agent, or Firm* — Che-Yang Chen; Law Office of Michael Chen

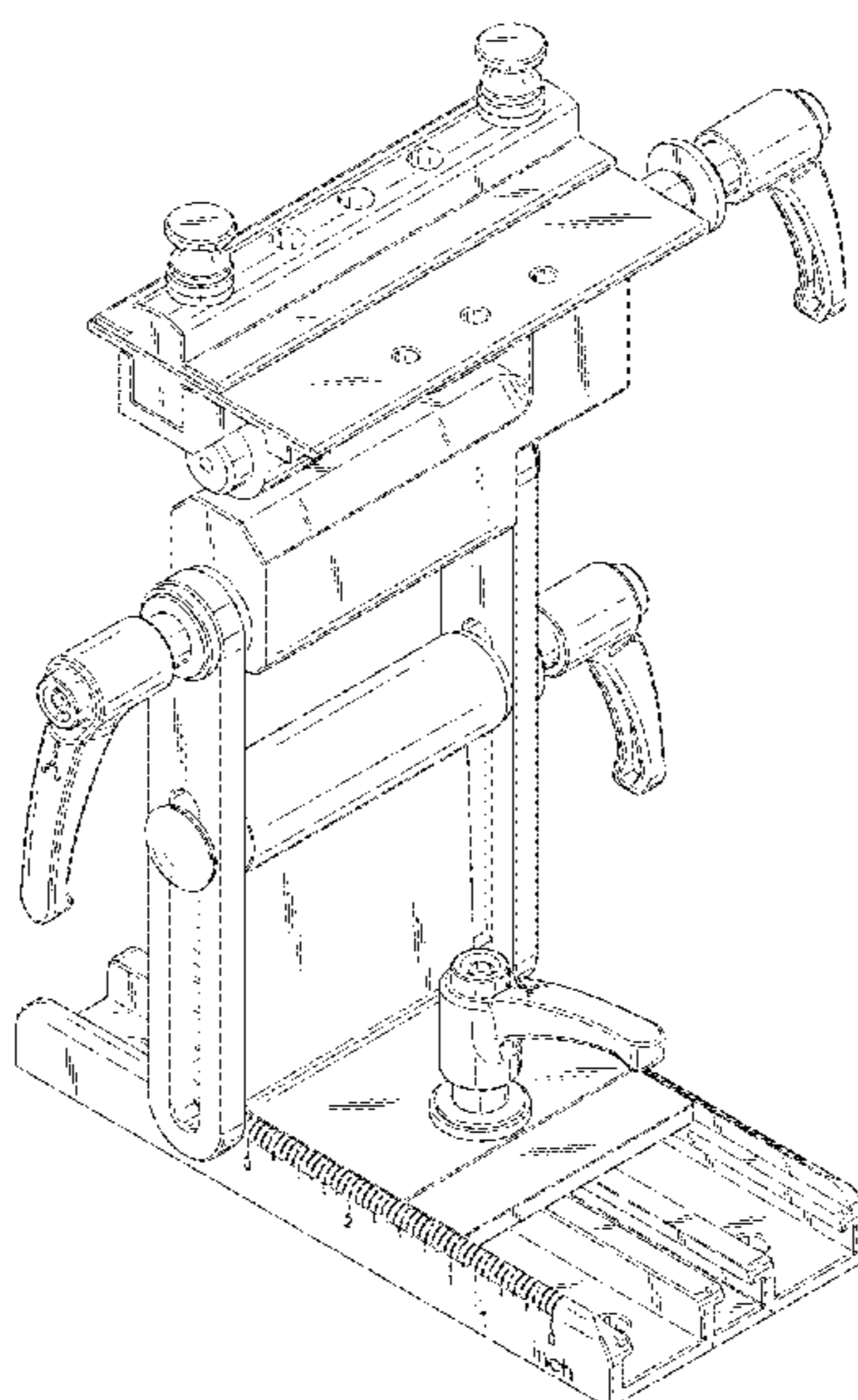
(57) **CLAIM**

The ornamental design for a woodworking sharpening jig, as shown and described.

DESCRIPTION

FIG. 1 is a perspective view of a woodworking sharpening jig showing my present design;
 FIG. 2 is a front view thereof;
 FIG. 3 is a rear view thereof;
 FIG. 4 is a left side view thereof;
 FIG. 5 is a right side view thereof;
 FIG. 6 is a top view thereof;
 FIG. 7 is a bottom view thereof;
 FIG. 8 is a right reference view of the present design, showing a change in the height of the woodworking sharpening jig;
 FIG. 9 is a right reference view of the present design, showing that a first joint of the woodworking sharpening jig is deflected forward;
 FIG. 10 is a right reference view of the present design, showing that the first joint of the woodworking sharpening jig is deflected backward;
 FIG. 11 is a right reference view of the present design, showing that a second joint of the woodworking sharpening jig is deflected forward;
 FIG. 12 is a right reference view of the present design, showing that the second joint of the woodworking sharpening jig is deflected backward;
 FIG. 13 is a right reference view of the present design, showing that a third joint of the woodworking sharpening jig is deflected forward;
 FIG. 14 is a right reference view of the present design, showing that the third joint of the woodworking sharpening jig is deflected backward;
 FIG. 15 is a right reference view of the present design, showing that a clamping device of the woodworking sharpening jig is opened; and,
 FIG. 16 is a right reference view of the present design, showing a transverse displacement of the woodworking sharpening jig.

1 Claim, 16 Drawing Sheets



(56)

References Cited

U.S. PATENT DOCUMENTS

4,683,925 A * 8/1987 Koukal B23Q 1/621
 409/126
 4,841,678 A * 6/1989 Thomas B24B 41/066
 451/376
 4,964,241 A * 10/1990 Conklin B24B 21/002
 451/296
 5,195,275 A * 3/1993 McLean B24B 3/36
 76/82.2
 D342,747 S * 12/1993 Garcia D15/140
 D345,496 S * 3/1994 Erbach D8/72
 D481,402 S * 10/2003 Jenkins D15/140
 7,387,562 B1 * 6/2008 Blum B24D 15/08
 451/380
 D577,752 S * 9/2008 McDaniel D15/140
 8,197,304 B2 * 6/2012 Hummel B24D 15/06
 451/380
 D708,922 S * 7/2014 Evans D8/91
 9,061,391 B2 * 6/2015 Wittenborn B24B 3/36
 D868,374 S * 11/2019 Macpherson D28/44.2
 D869,255 S * 12/2019 Thackery D8/71
 10,618,138 B2 * 4/2020 Schwarzwald B24B 3/54
 10,759,017 B2 * 9/2020 Powell B24D 15/06
 10,787,346 B1 * 9/2020 Yu B23Q 11/0046
 10,926,369 B2 * 2/2021 Lea B24B 51/00
 2006/0258271 A1 * 11/2006 Naples B24B 3/38
 451/45
 2008/0113591 A1 * 5/2008 Stanley B24B 41/066
 451/357
 2015/0114521 A1 * 4/2015 Tower B27C 5/06
 144/371
 2018/0370068 A1 * 12/2018 Lee B27C 5/02
 2019/0291231 A1 * 9/2019 Powell B24B 9/04

* cited by examiner

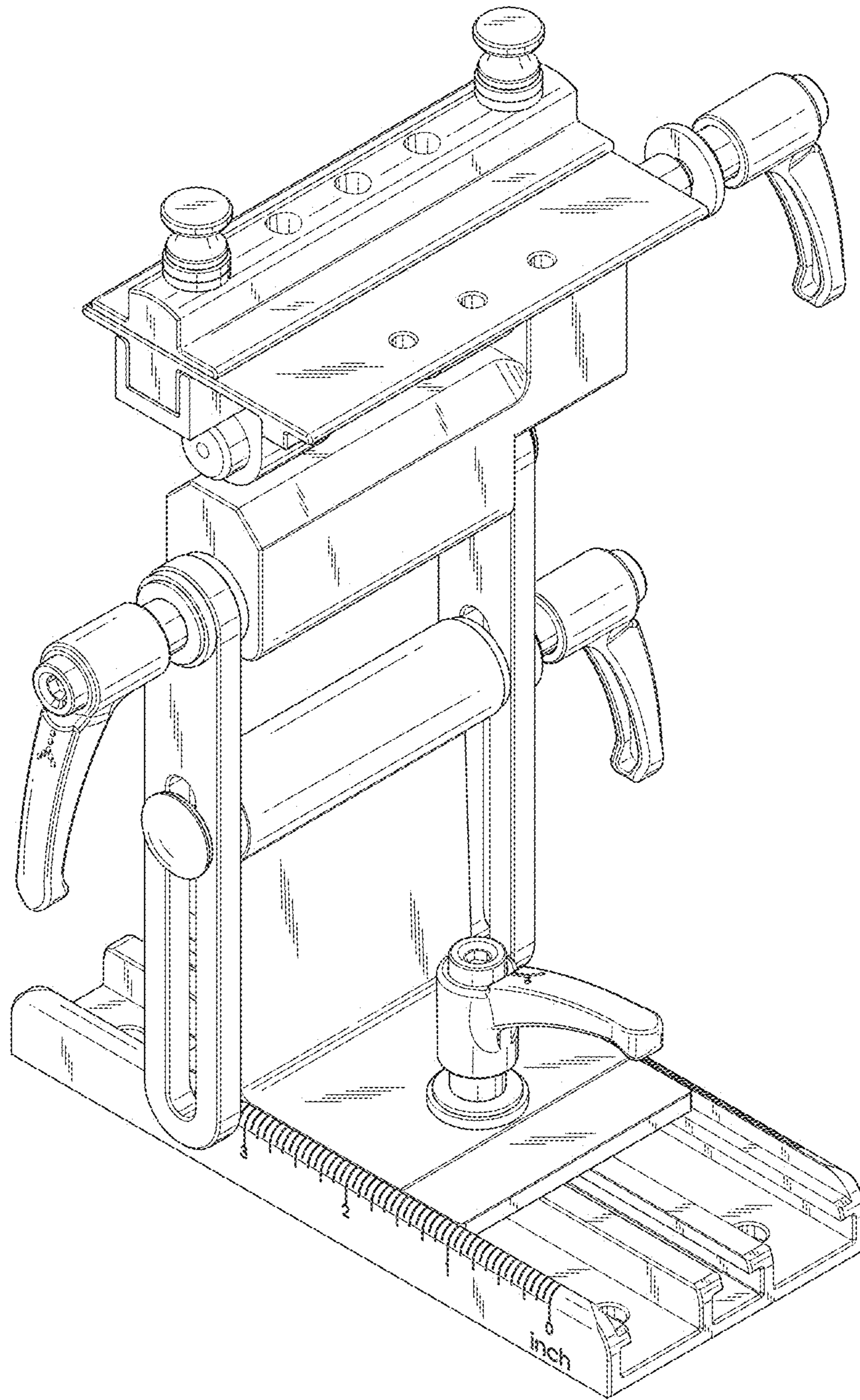


FIG. 1

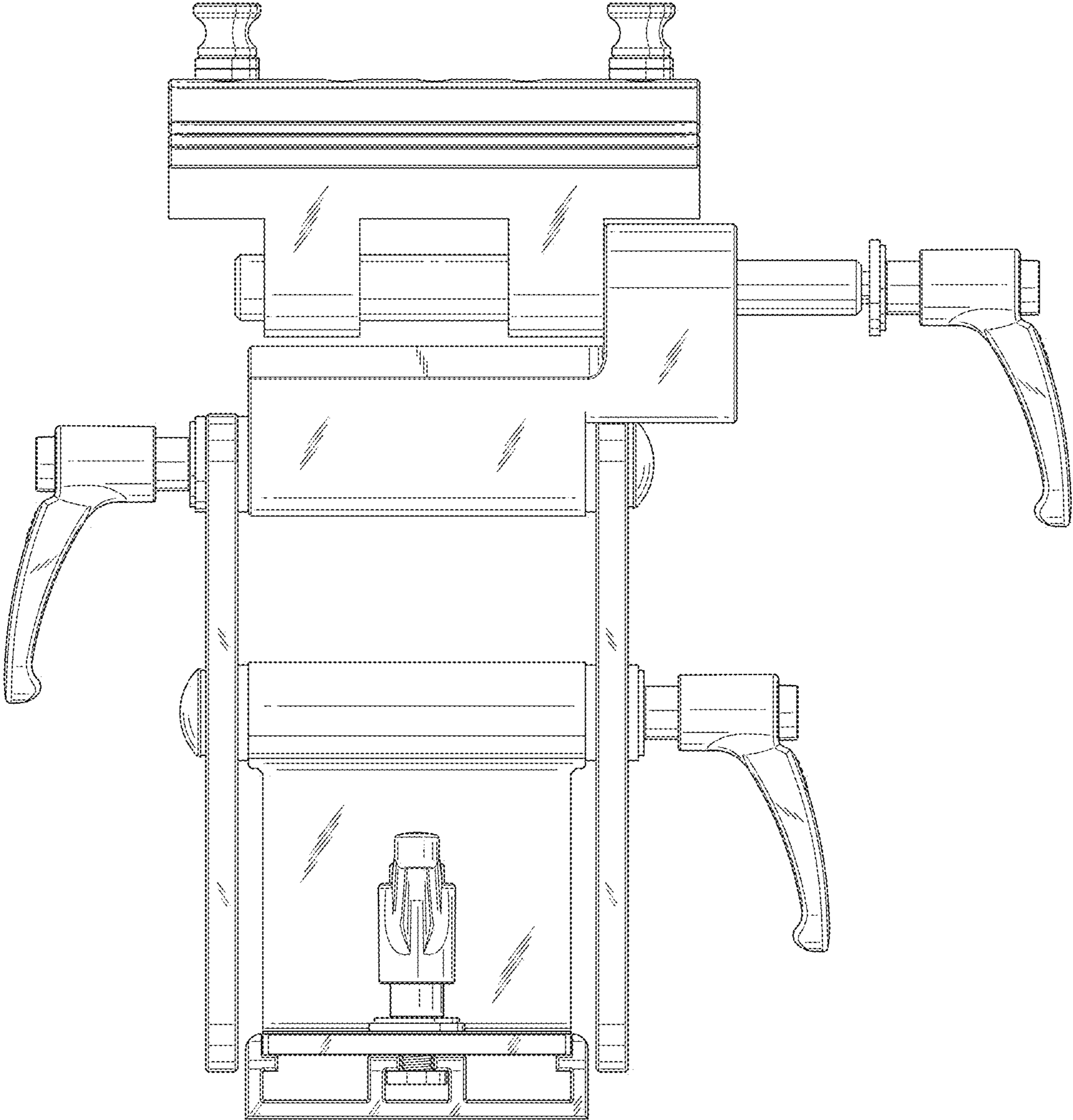


FIG.2

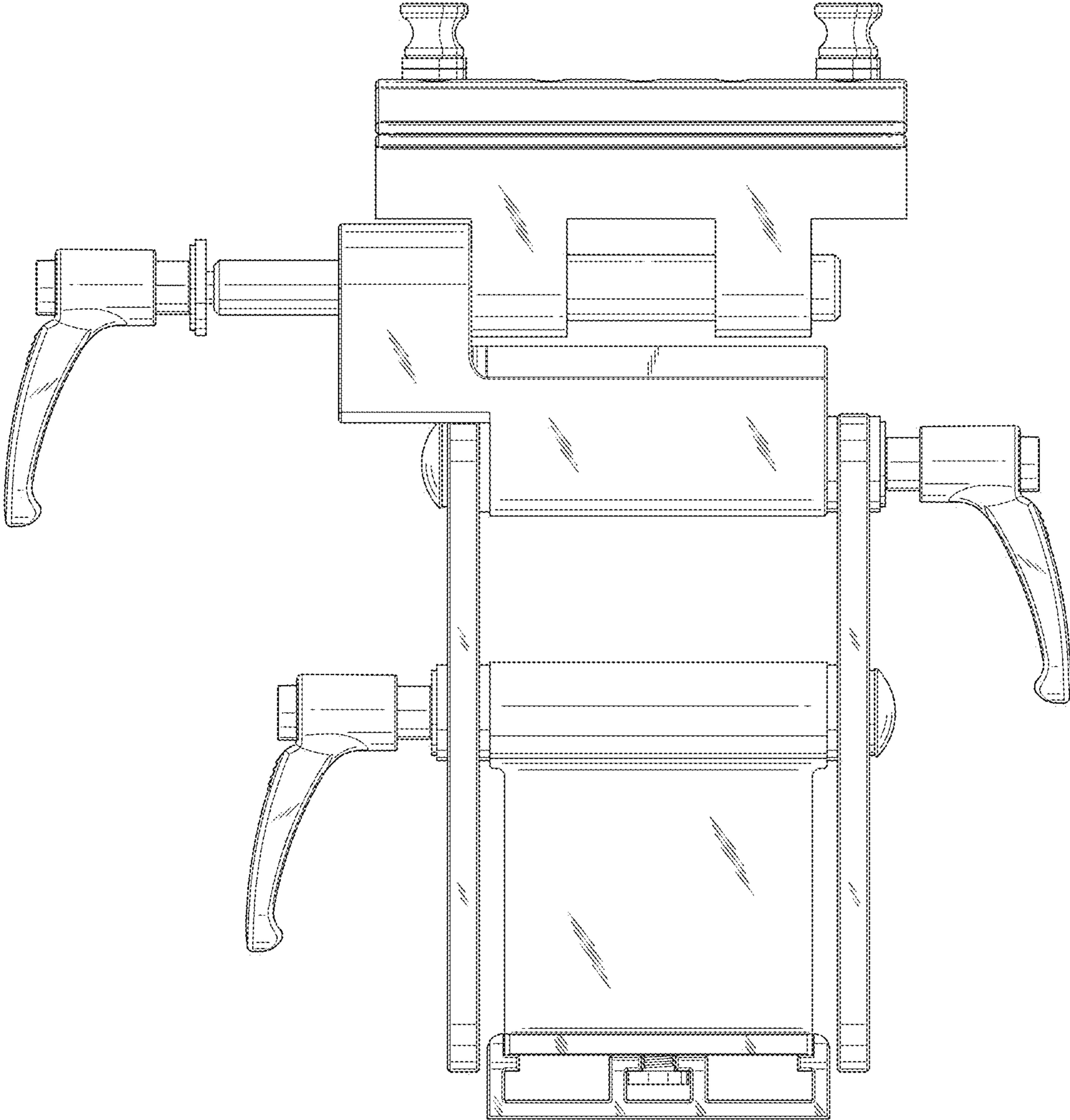


FIG.3

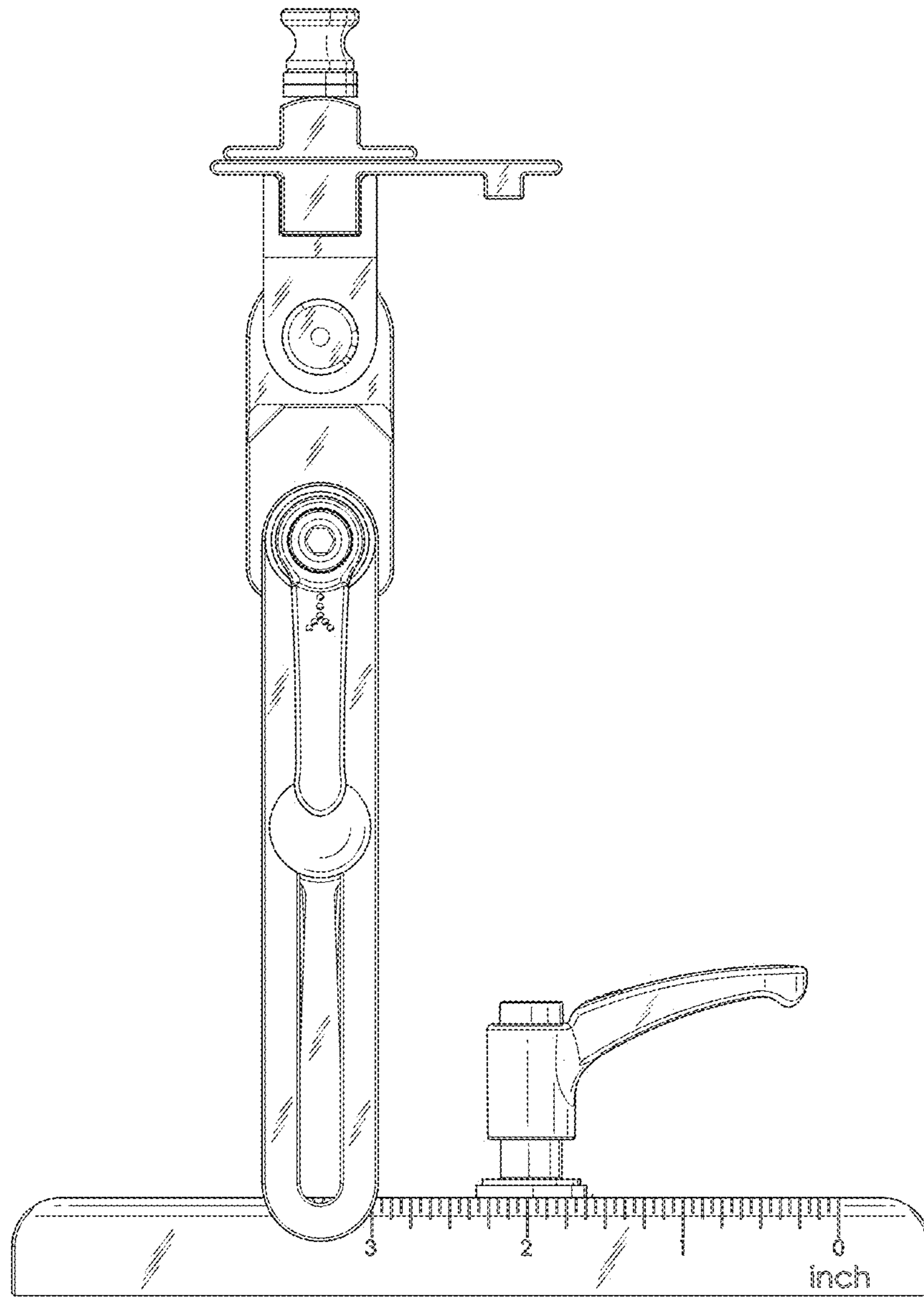


FIG.4

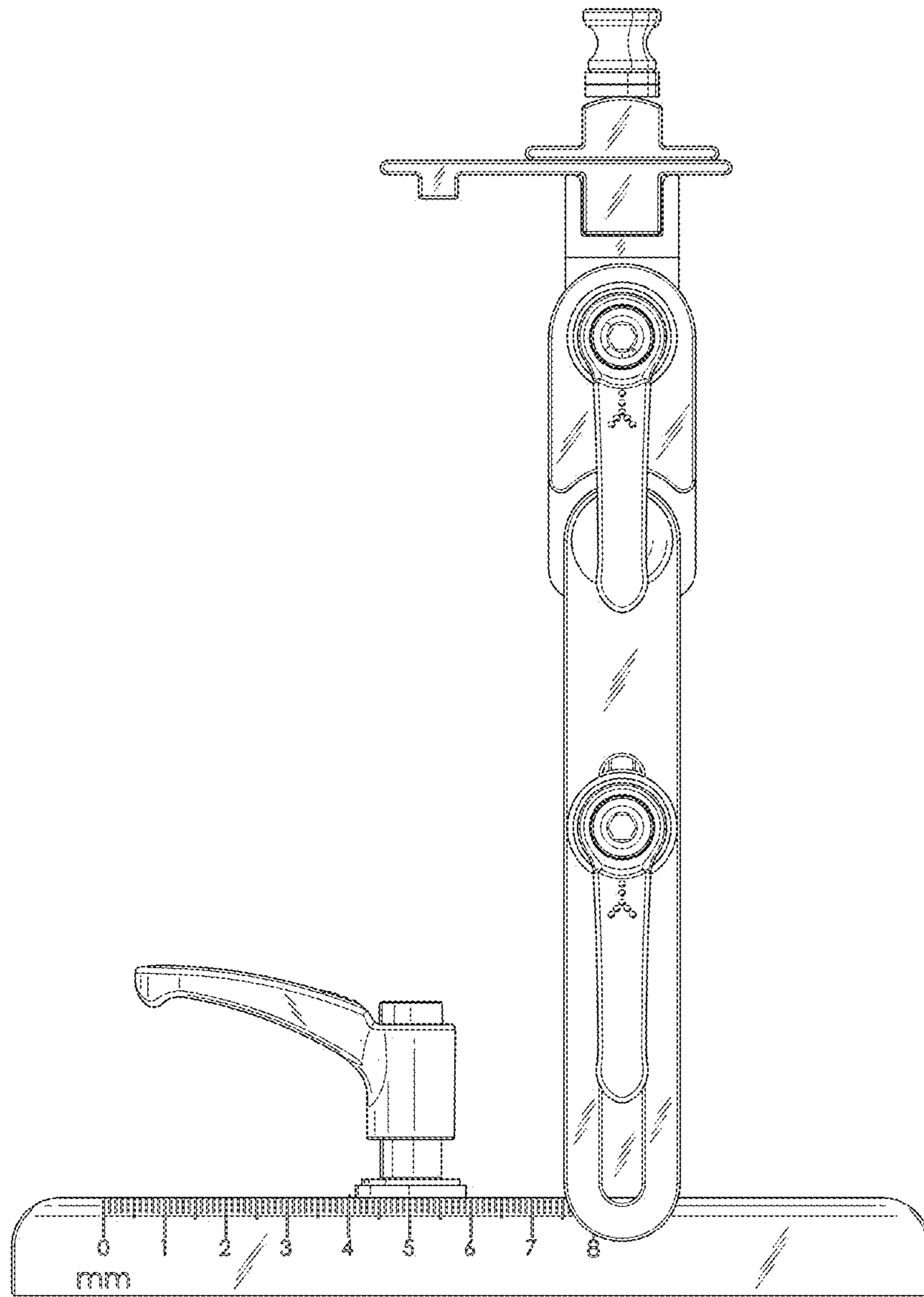


FIG.5

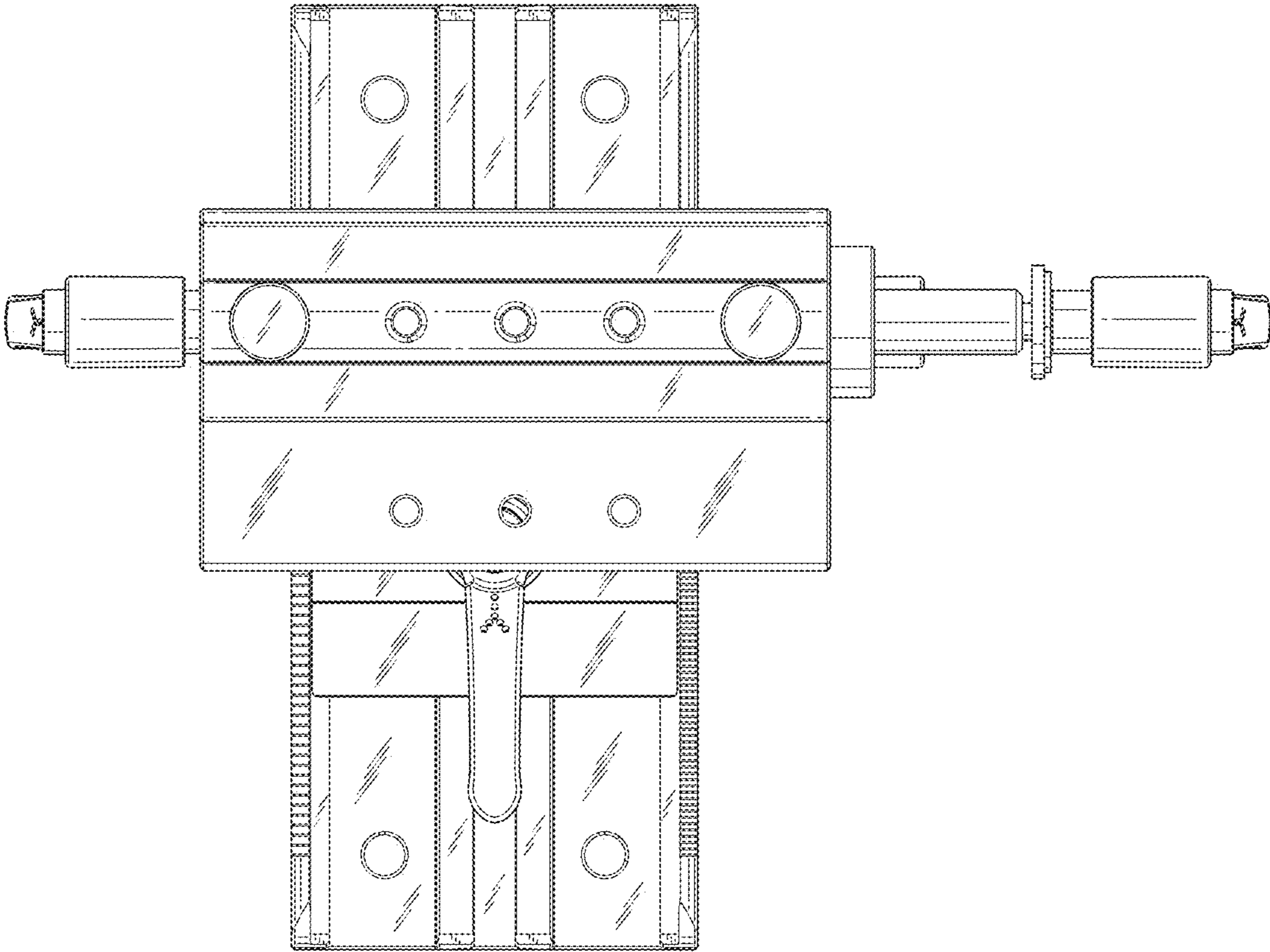


FIG.6

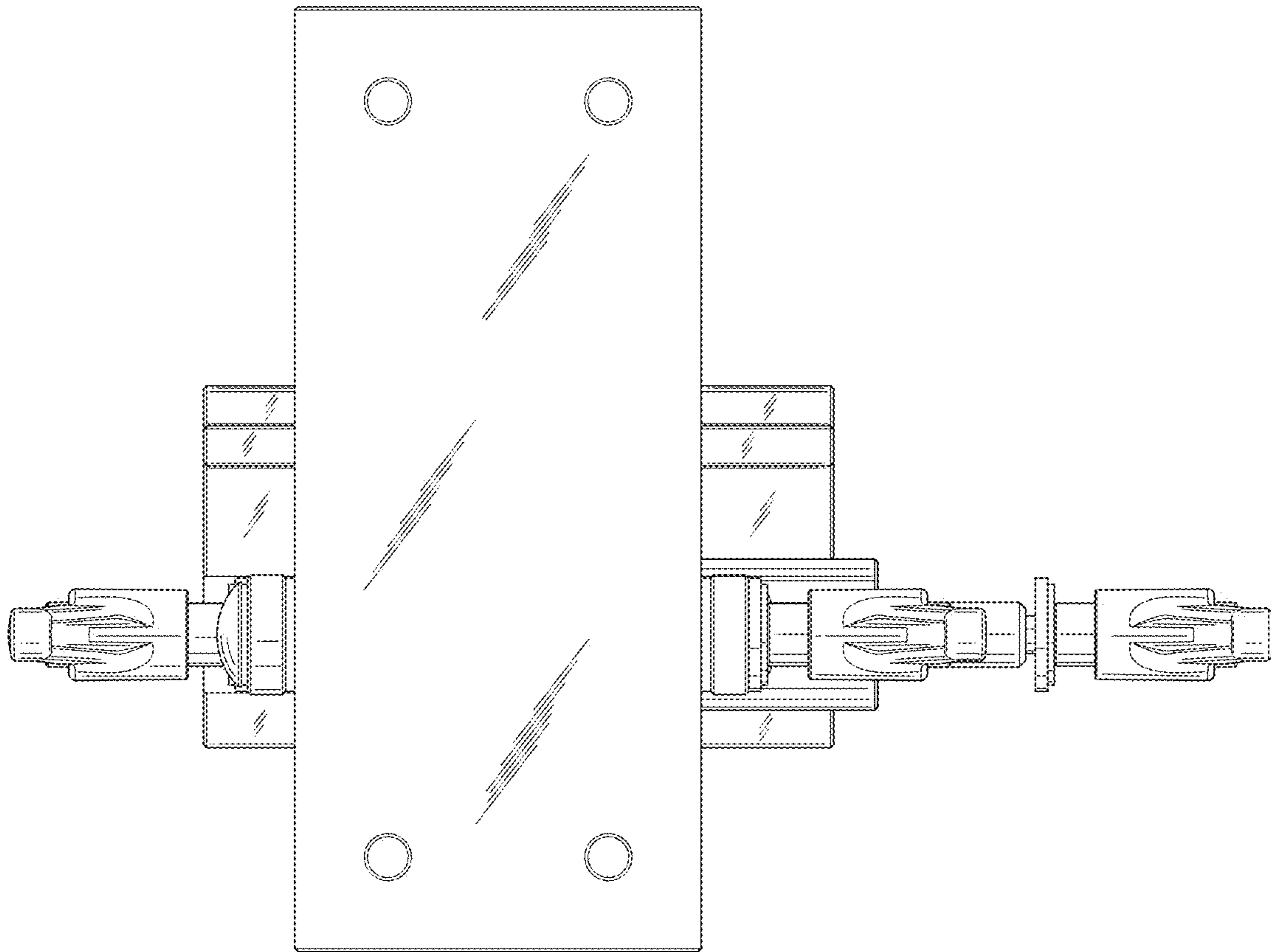


FIG.7

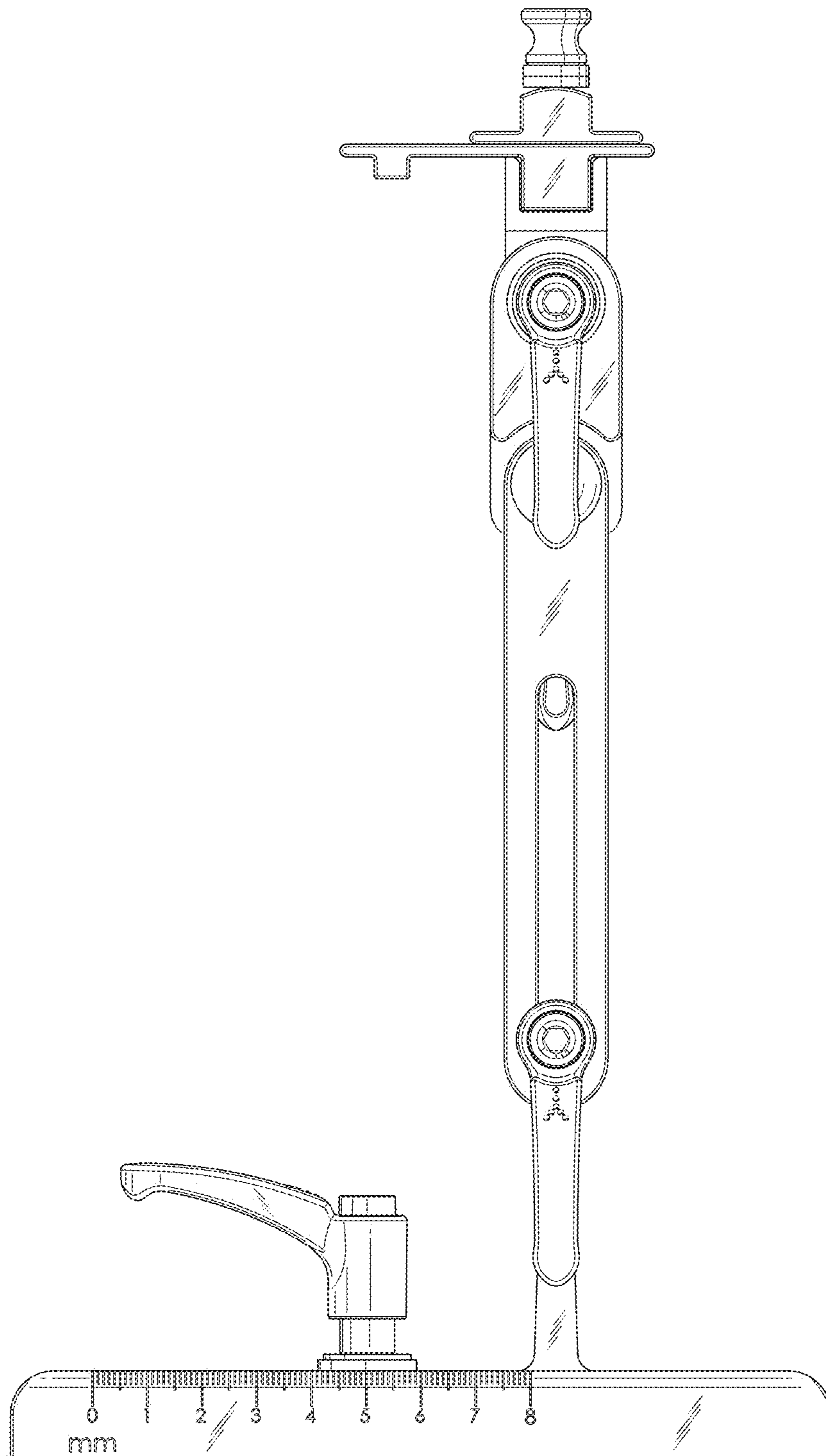


FIG.8

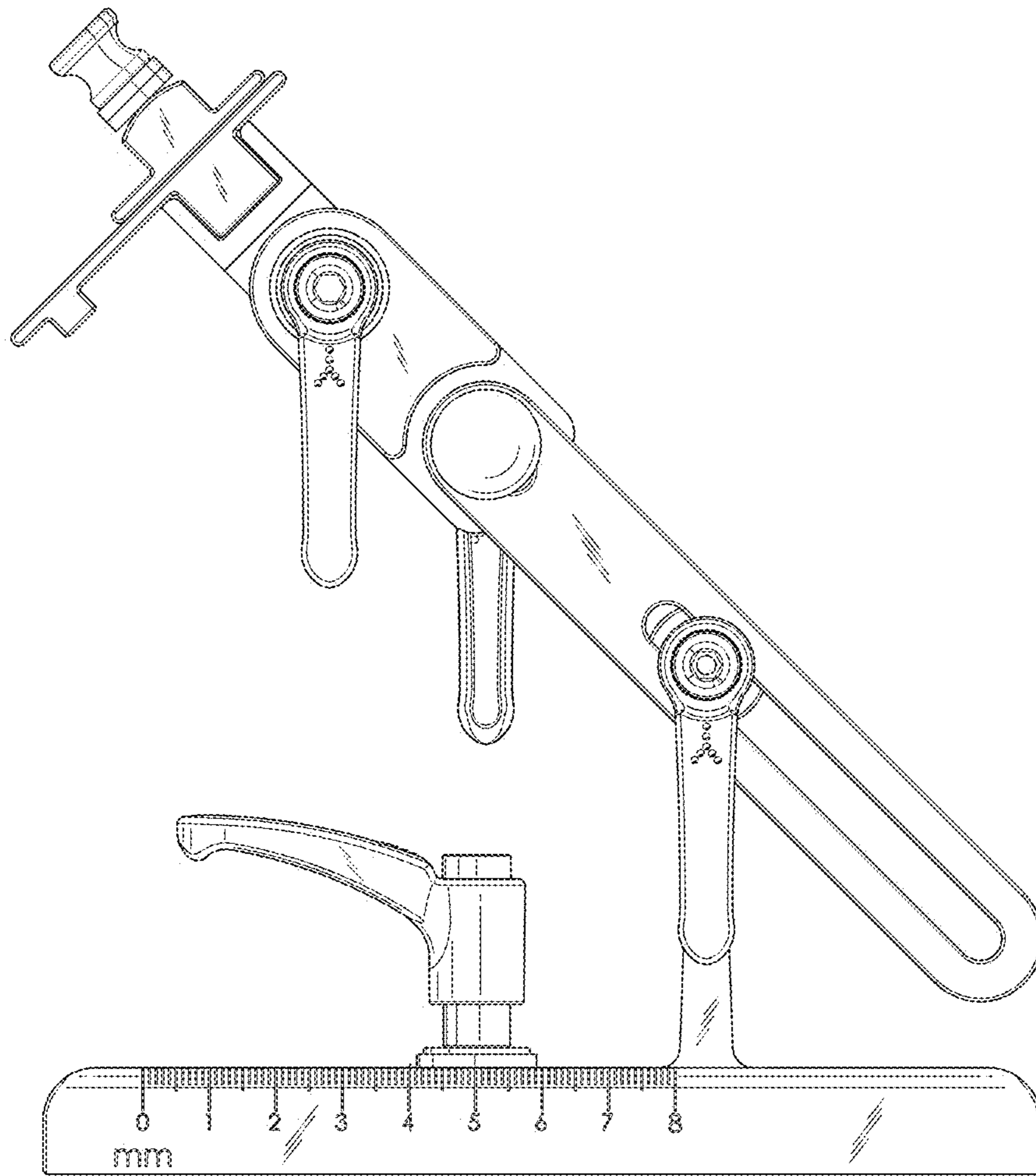


FIG.9

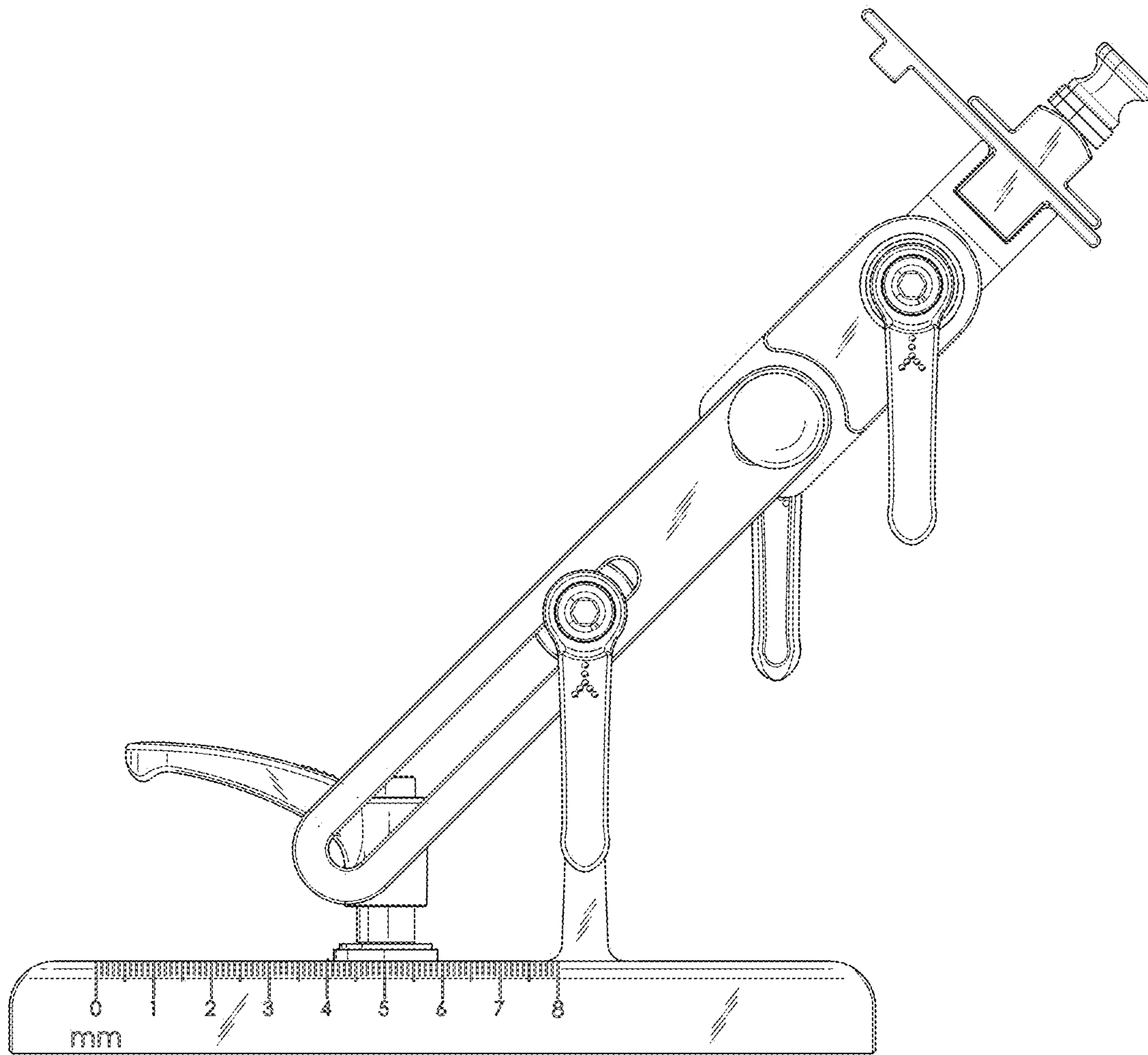


FIG.10

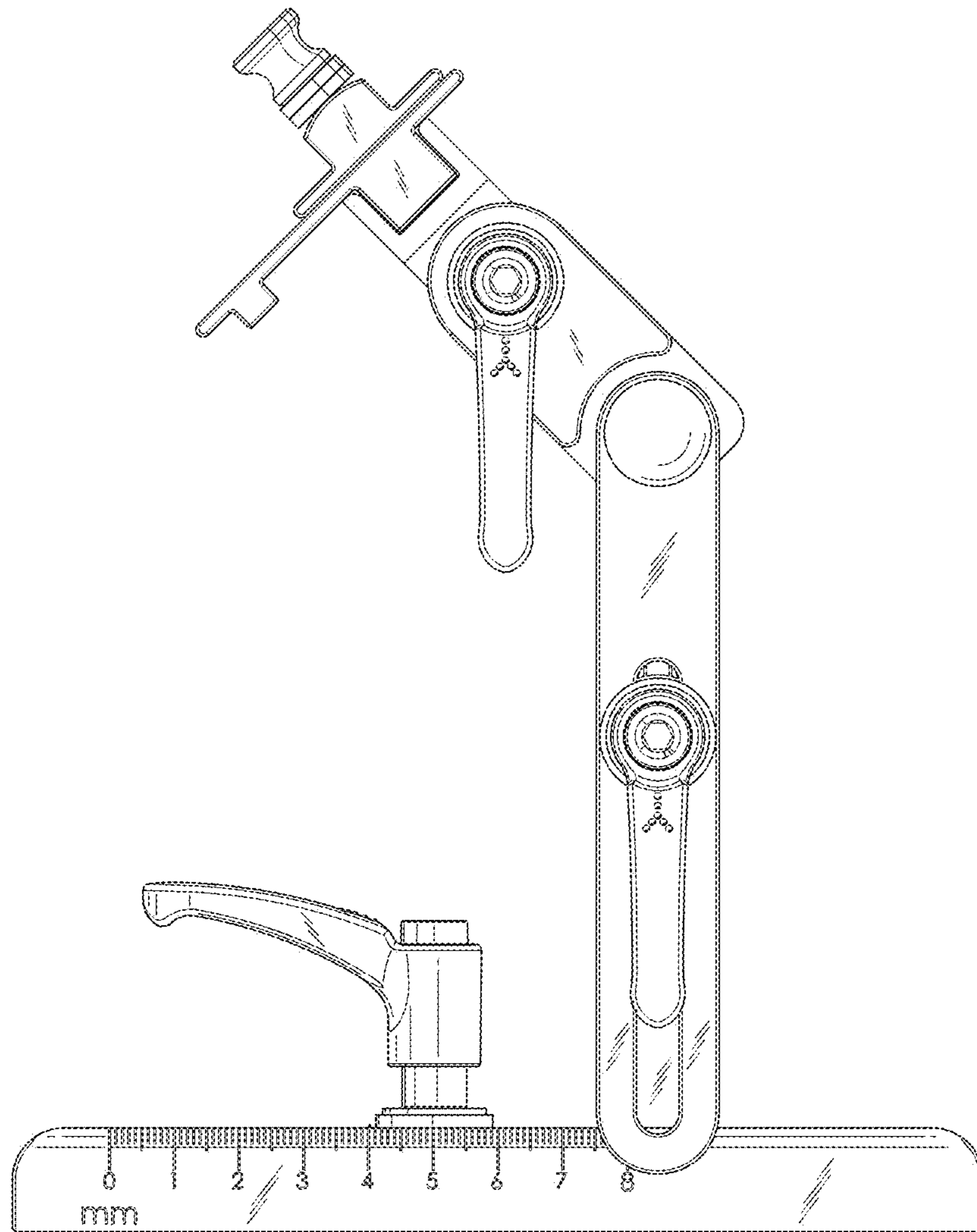


FIG.11

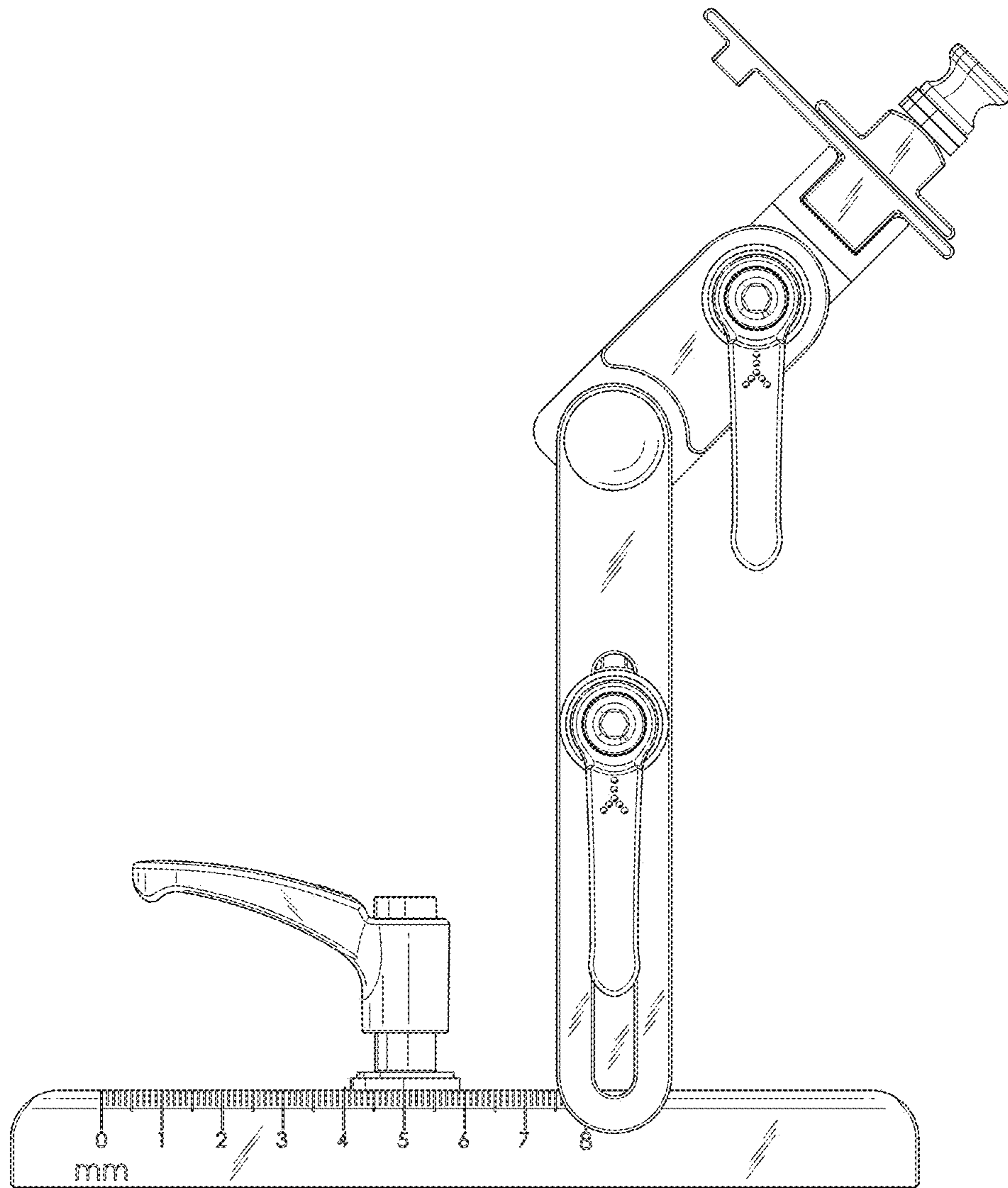


FIG.12

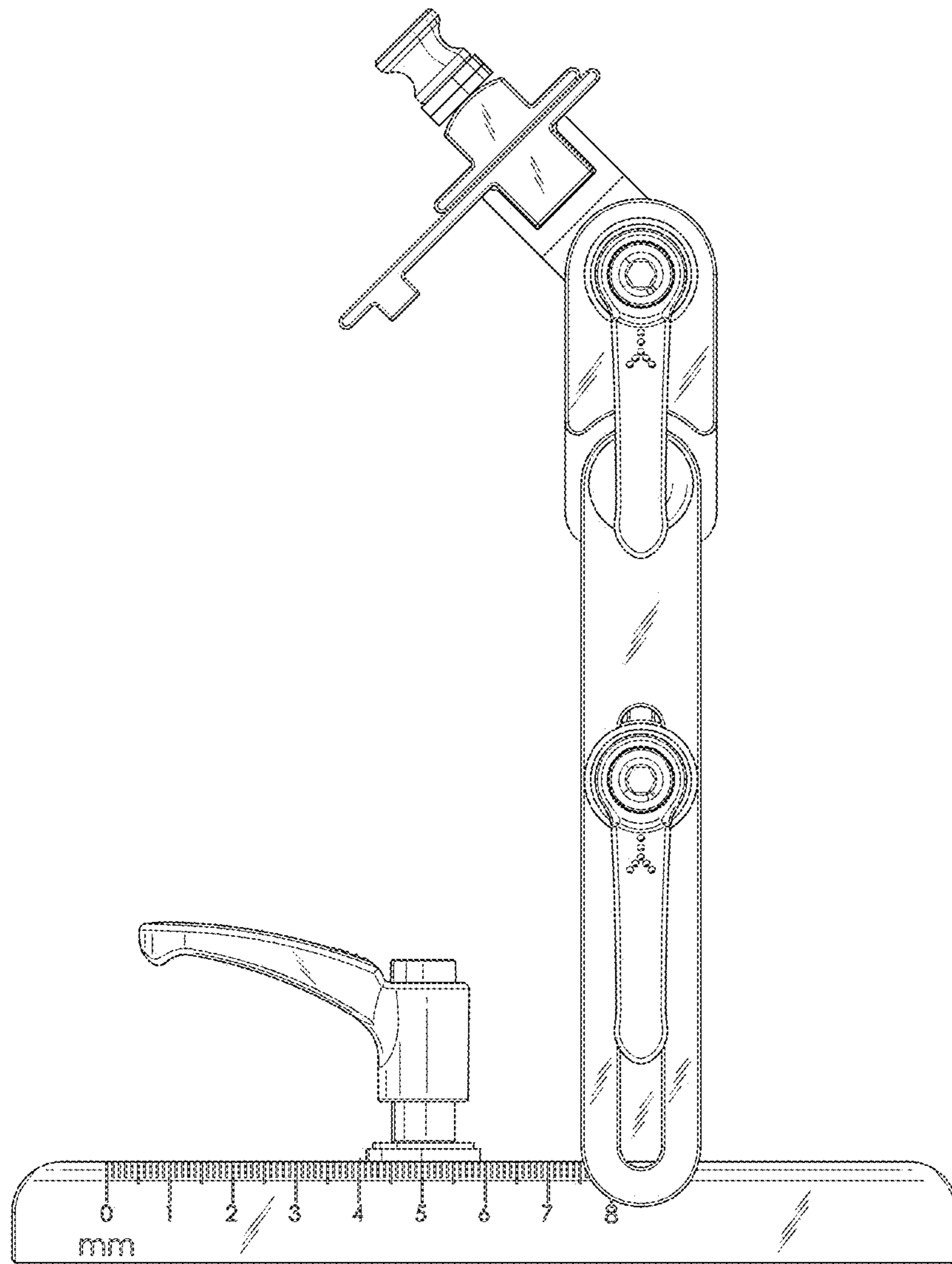


FIG.13

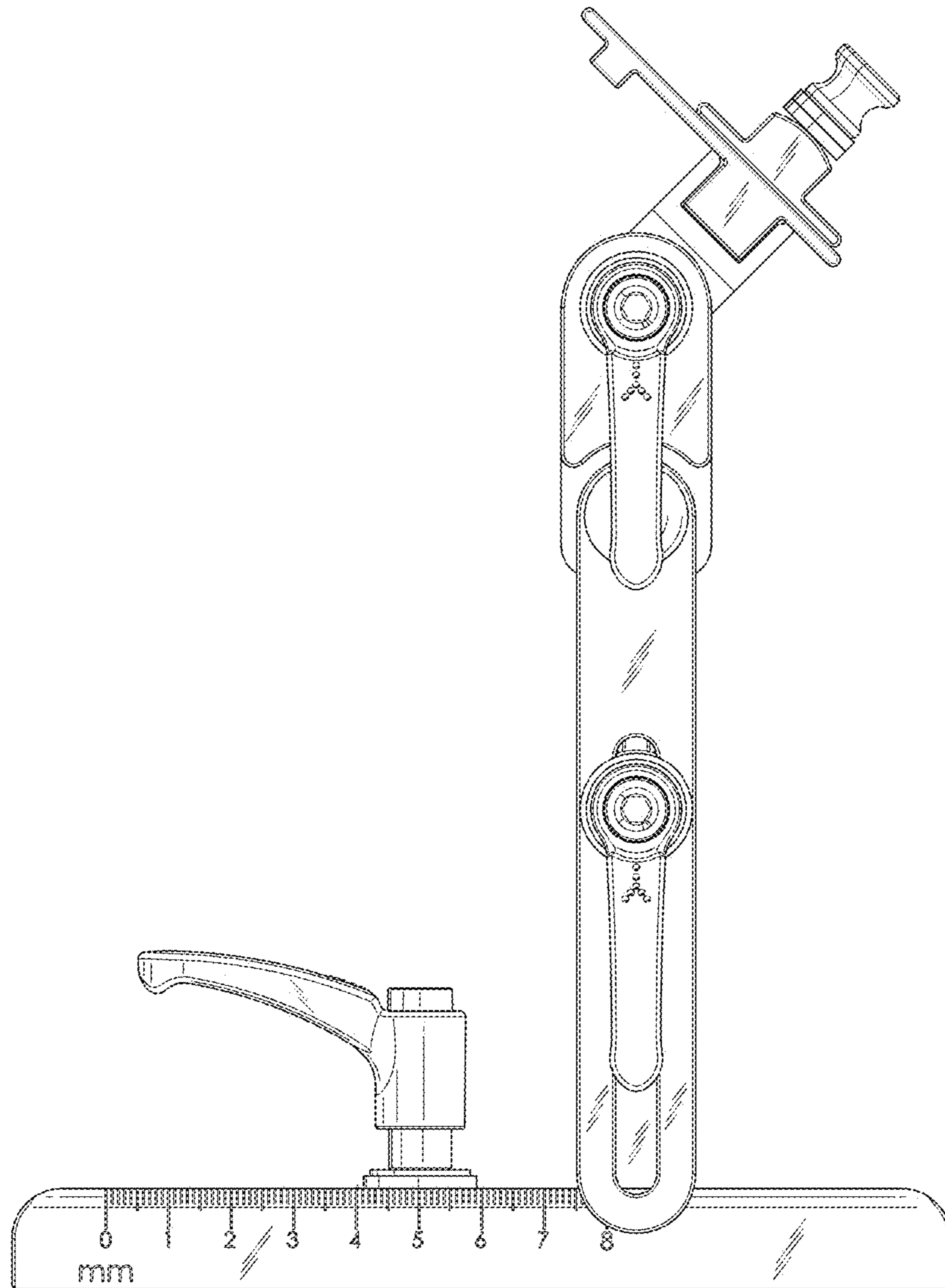


FIG.14

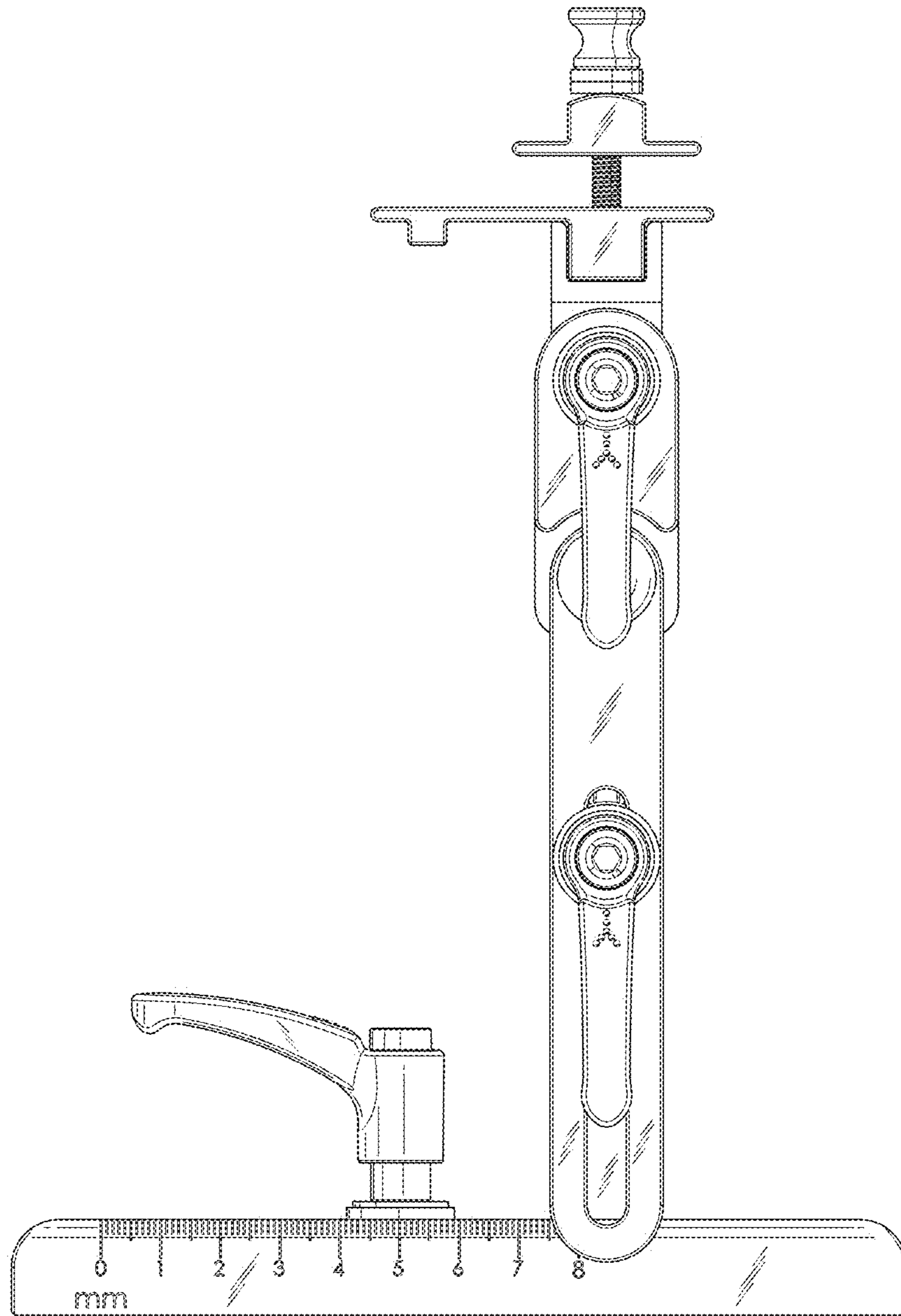


FIG.15

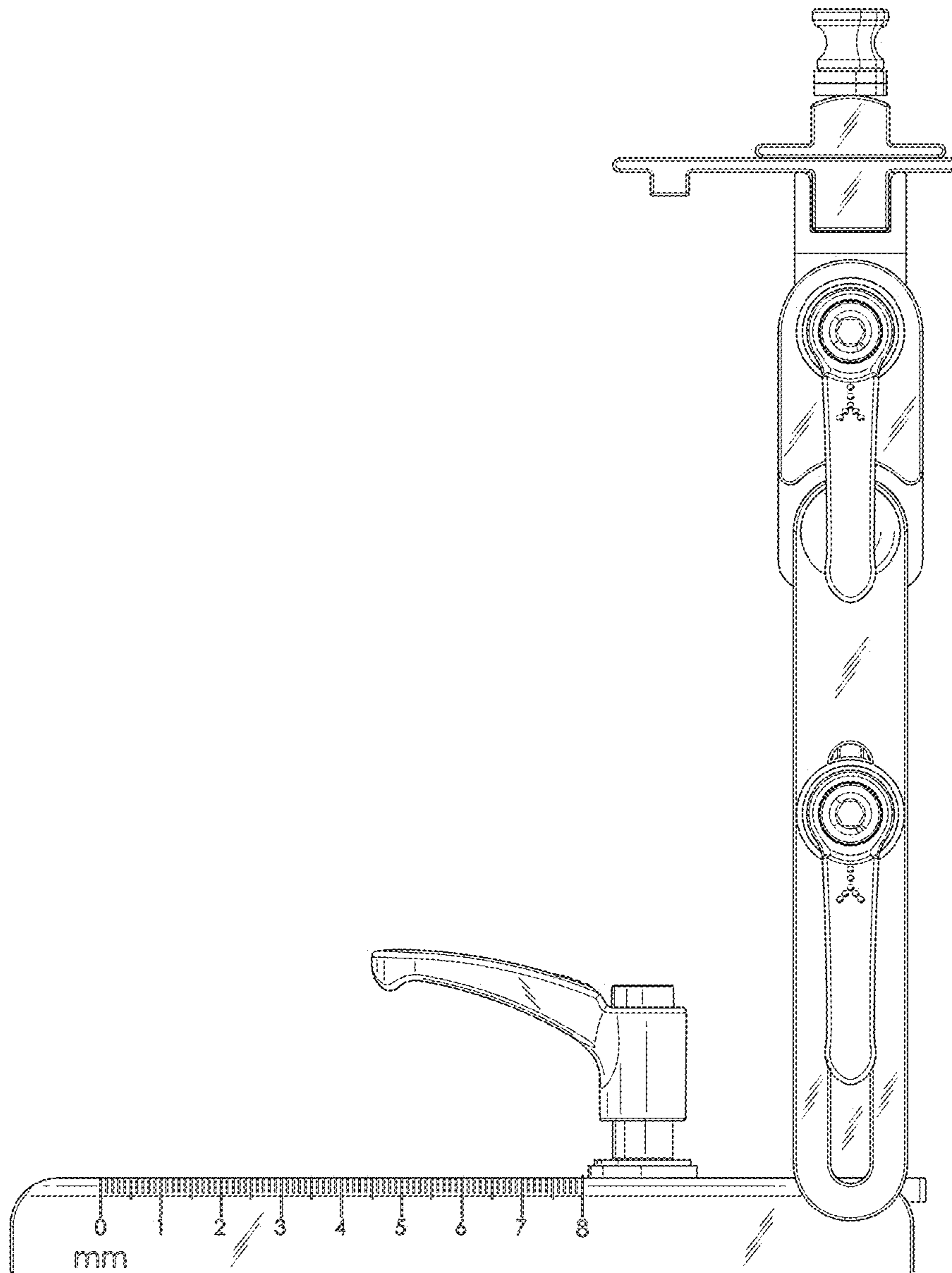


FIG.16