

(56)

References Cited

U.S. PATENT DOCUMENTS

10,280,688	B2	5/2019	Dunbar et al.	
D852,245	S *	6/2019	Kobayashi	D15/139
D852,246	S *	6/2019	Kobayashi	D15/139
D857,068	S *	8/2019	Hayakawa	D15/139
10,399,206	B1	9/2019	Mortensen et al.	
D872,784	S *	1/2020	Inagaki	D15/139
D878,436	S *	3/2020	Dunaway	D15/139
D911,399	S *	2/2021	Atkins	D15/139
2011/0031036	A1	2/2011	Patel	
2014/0284161	A1	9/2014	White	
2017/0284161	A1	10/2017	Zhang	
2019/0338599	A1	11/2019	Bellin	

FOREIGN PATENT DOCUMENTS

EP	0918135	A1	5/1999
EP	2796660		11/2011
GB	2369841		12/2004
JP	11226806		8/1999
WO	2007068866	A1	6/2007

OTHER PUBLICATIONS

Non Final Office Action for U.S. Appl. No. 16/509,077 dated Jan. 7, 2021.

* cited by examiner

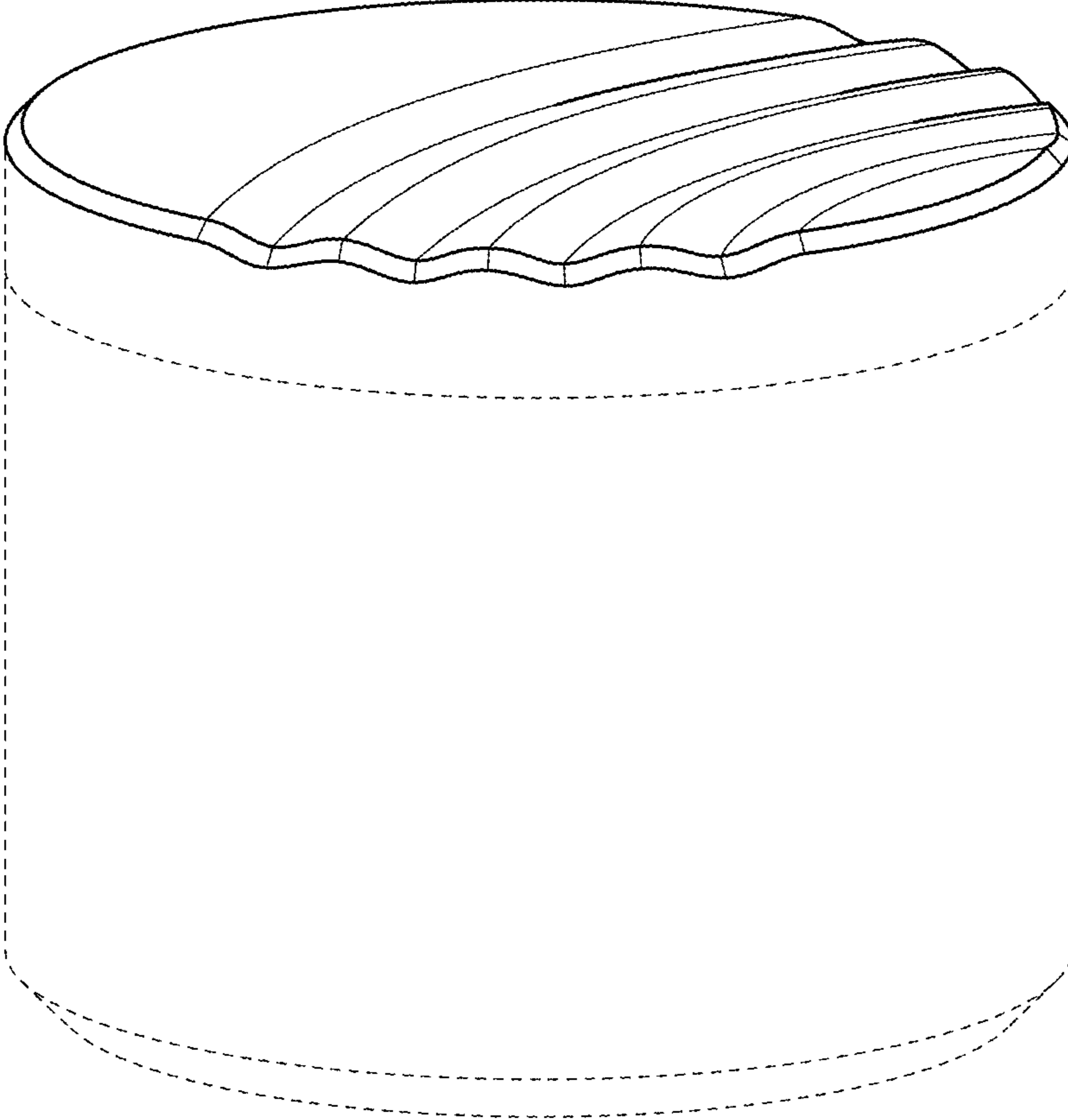


FIG. 1

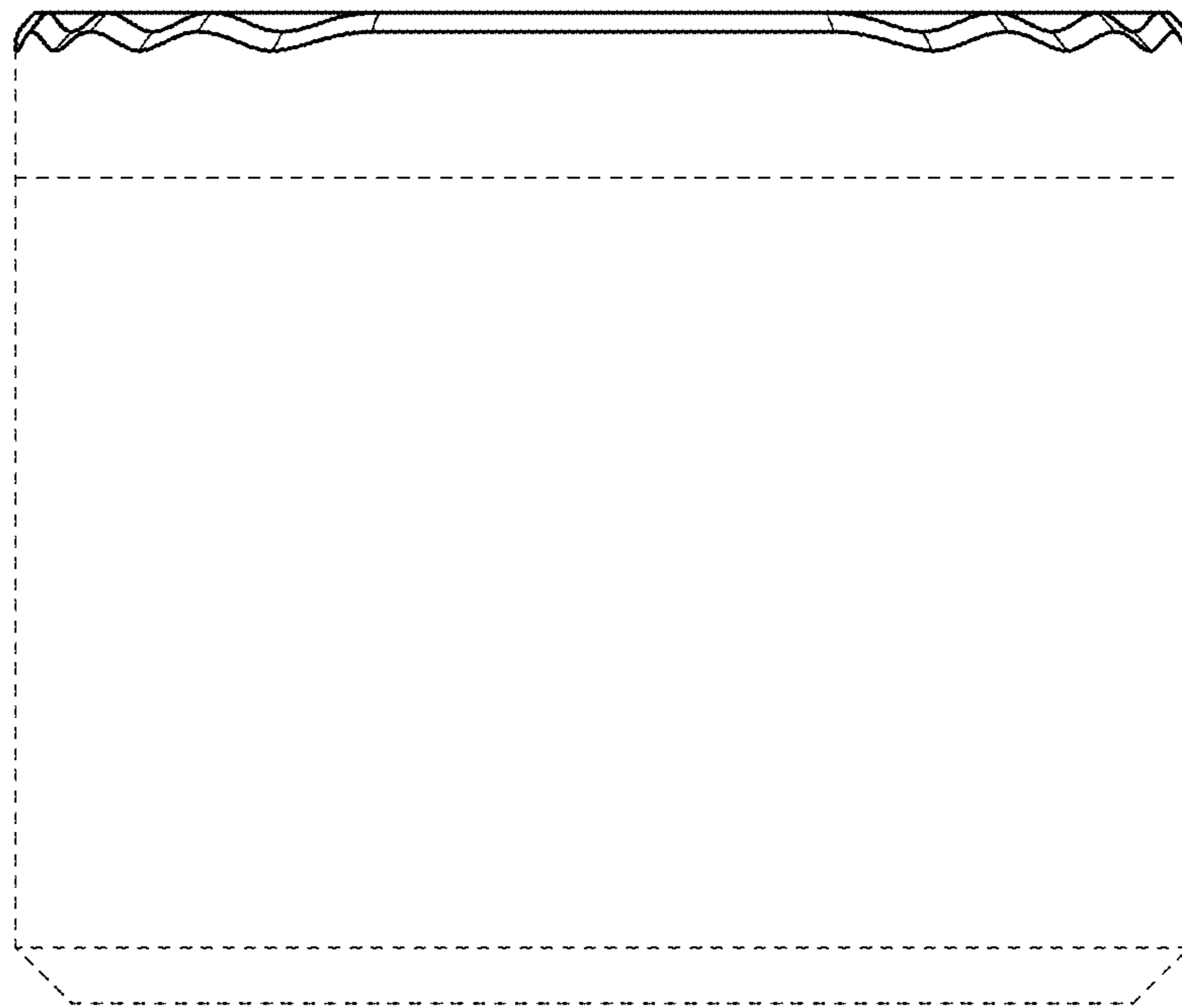


FIG. 2

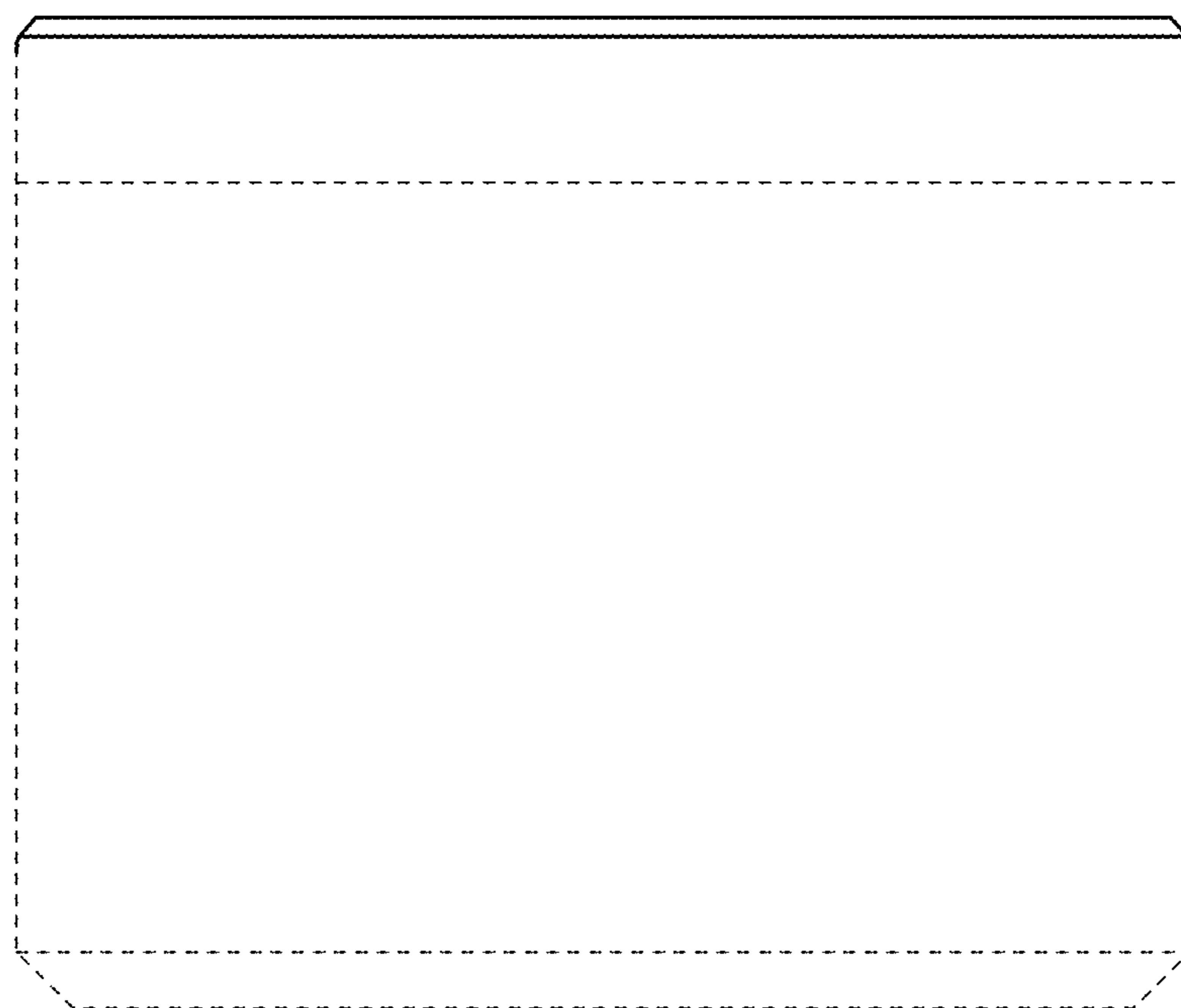


FIG. 3

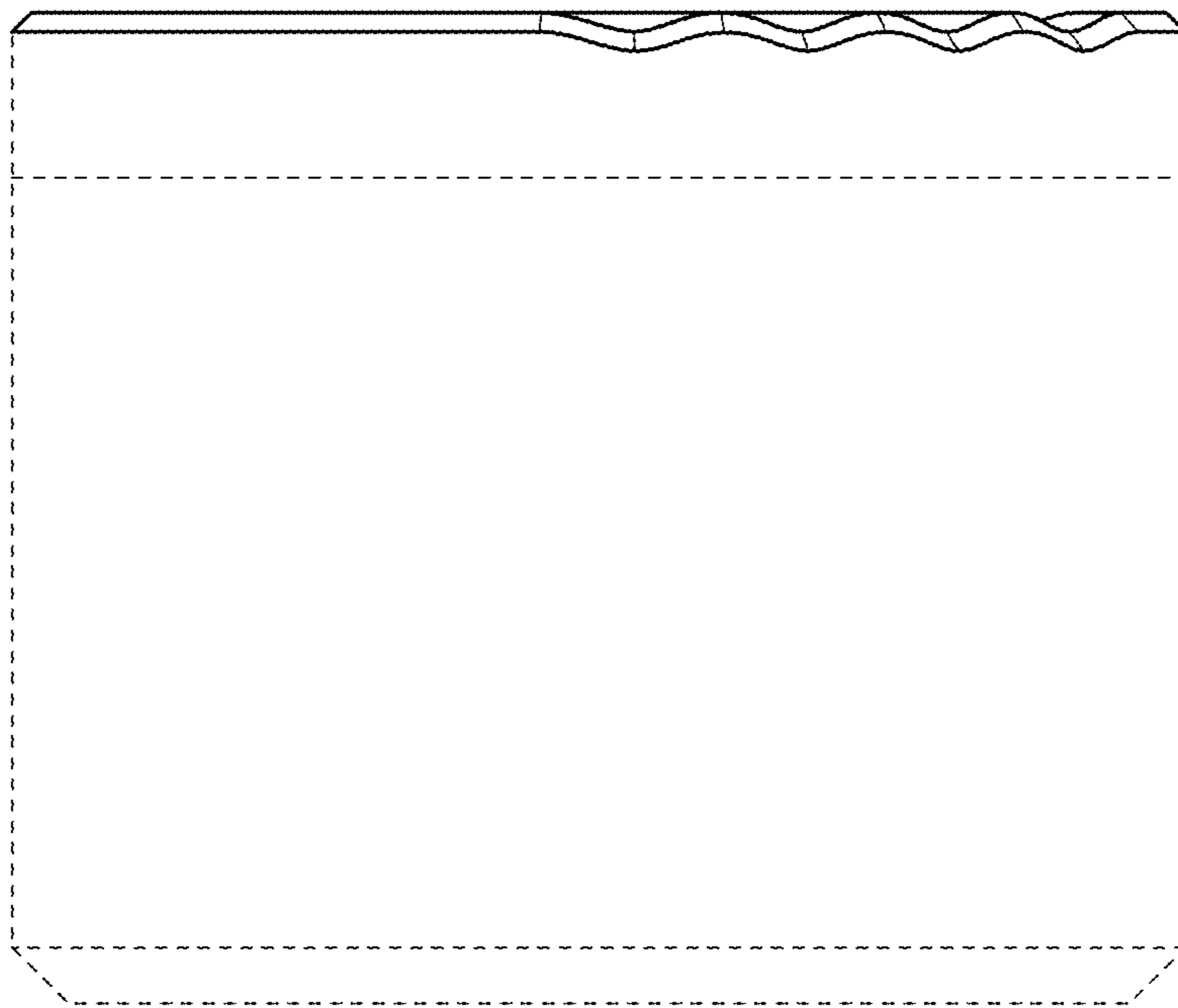


FIG. 4

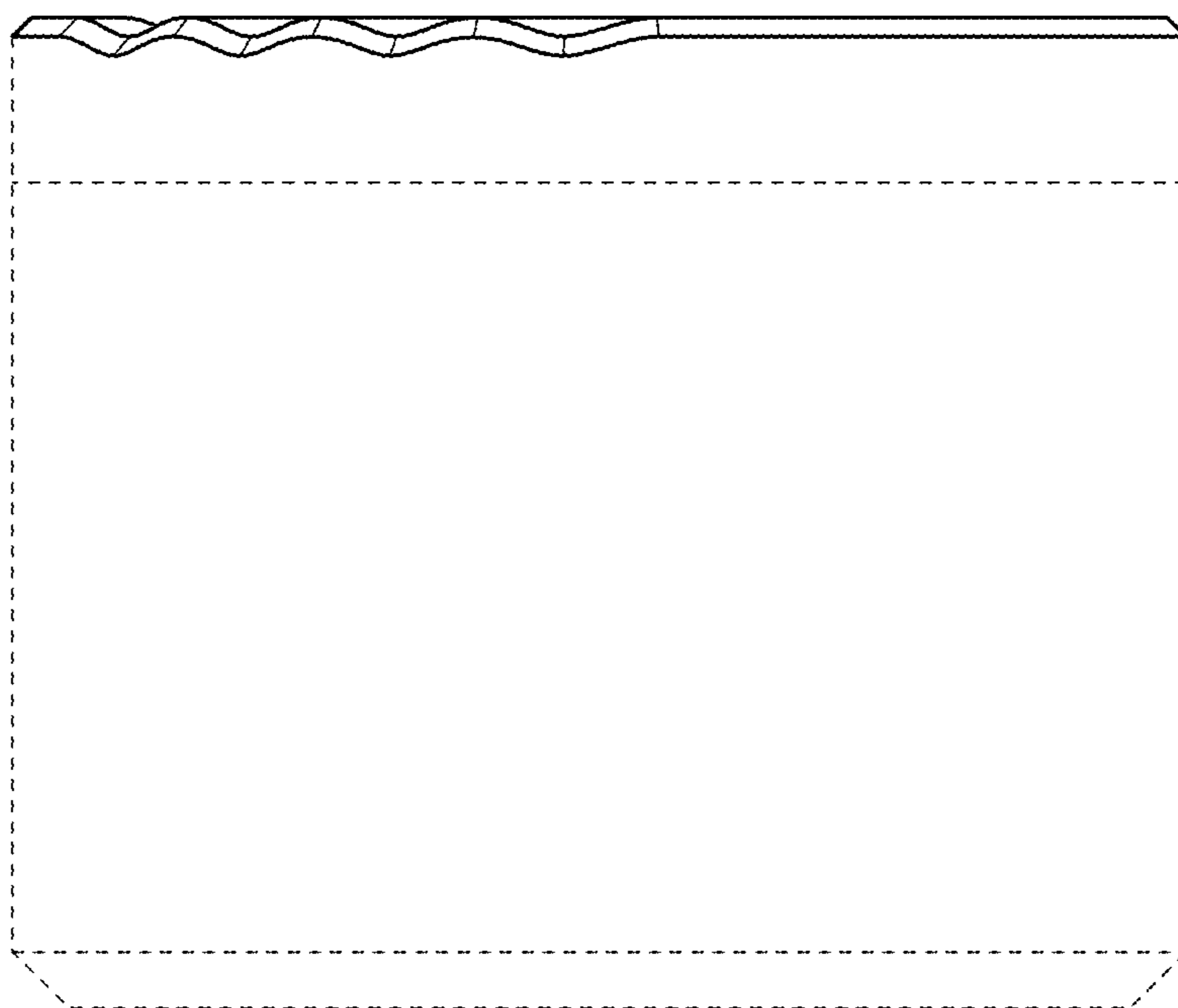


FIG. 5

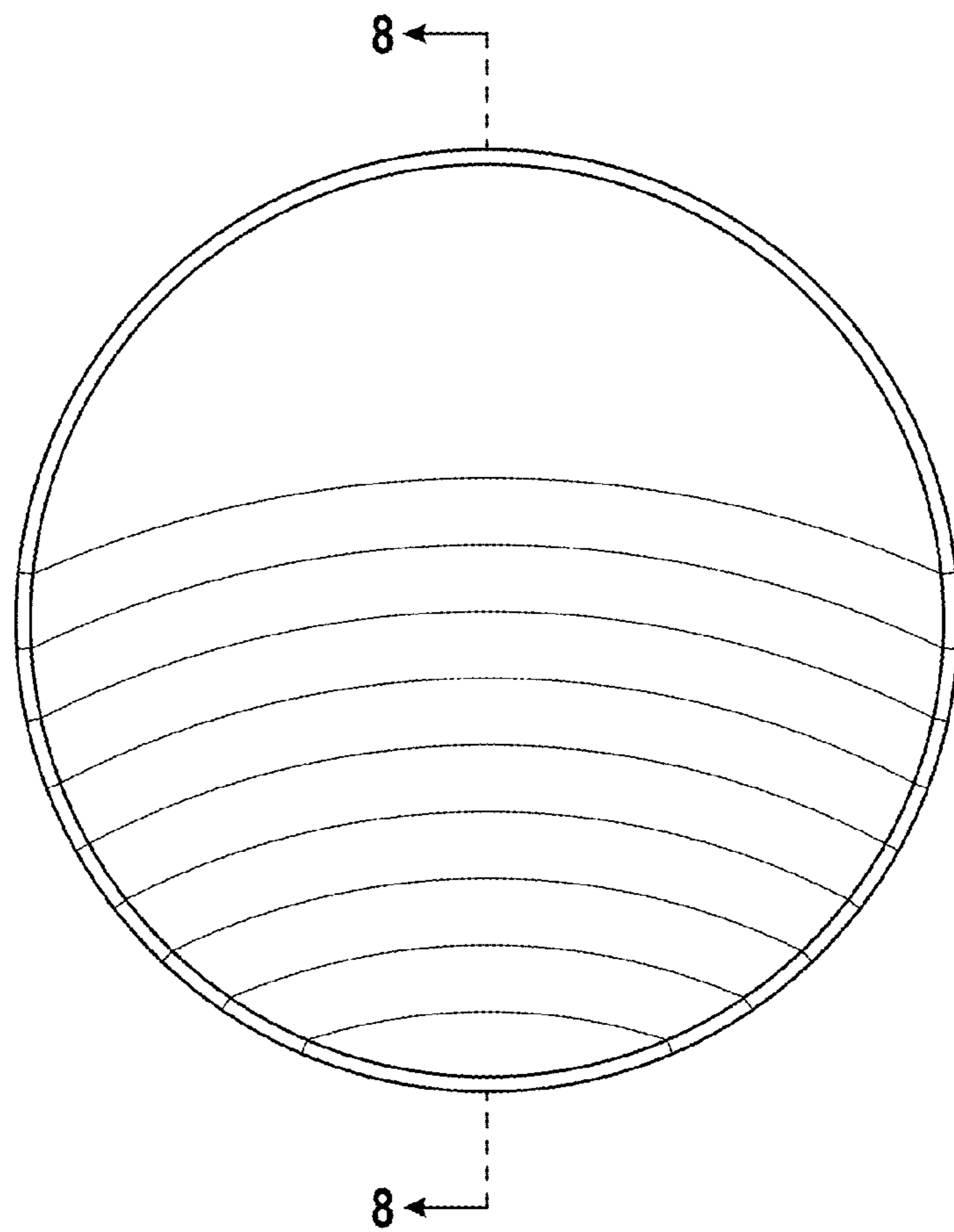


FIG. 6

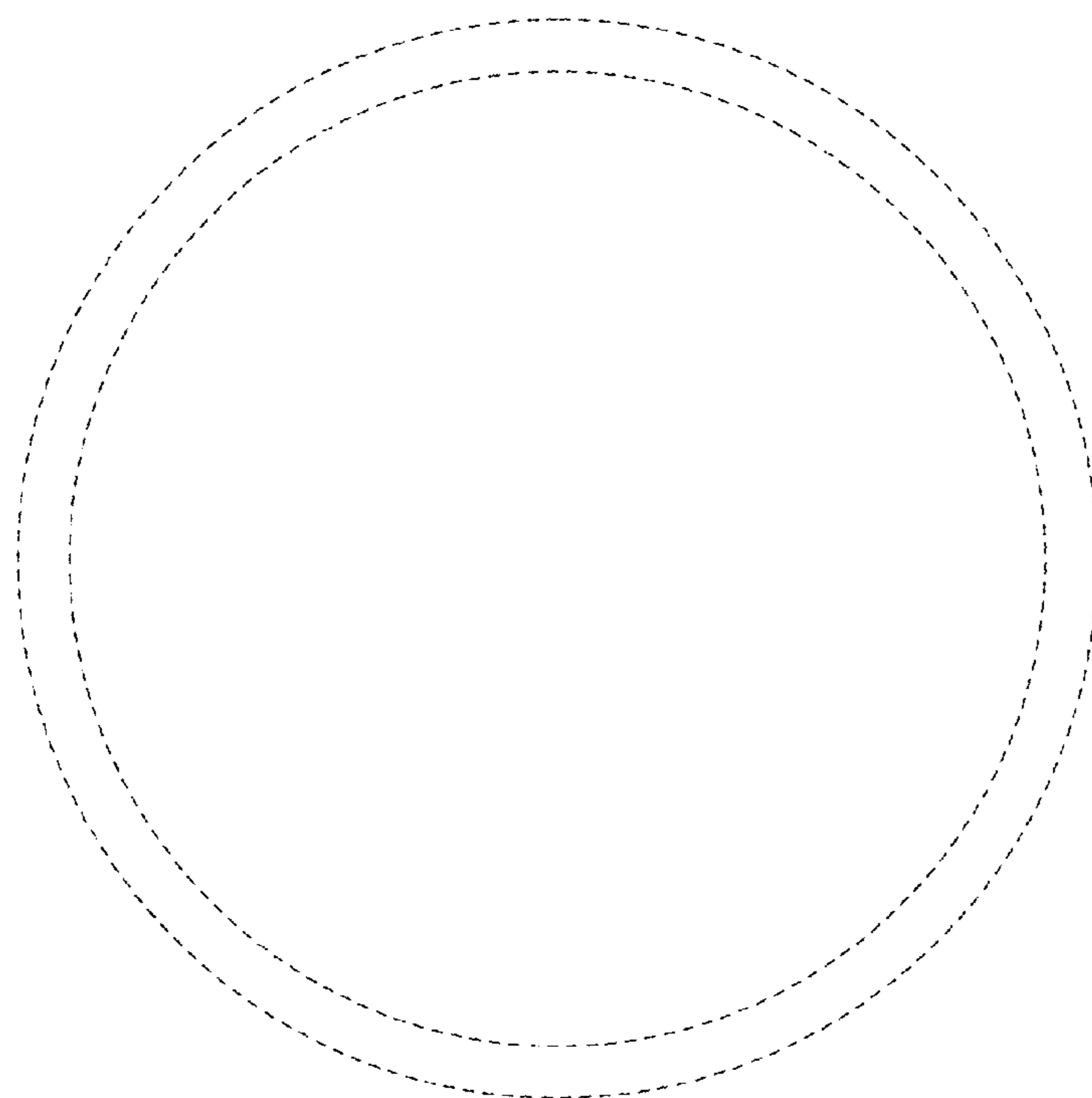


FIG. 7

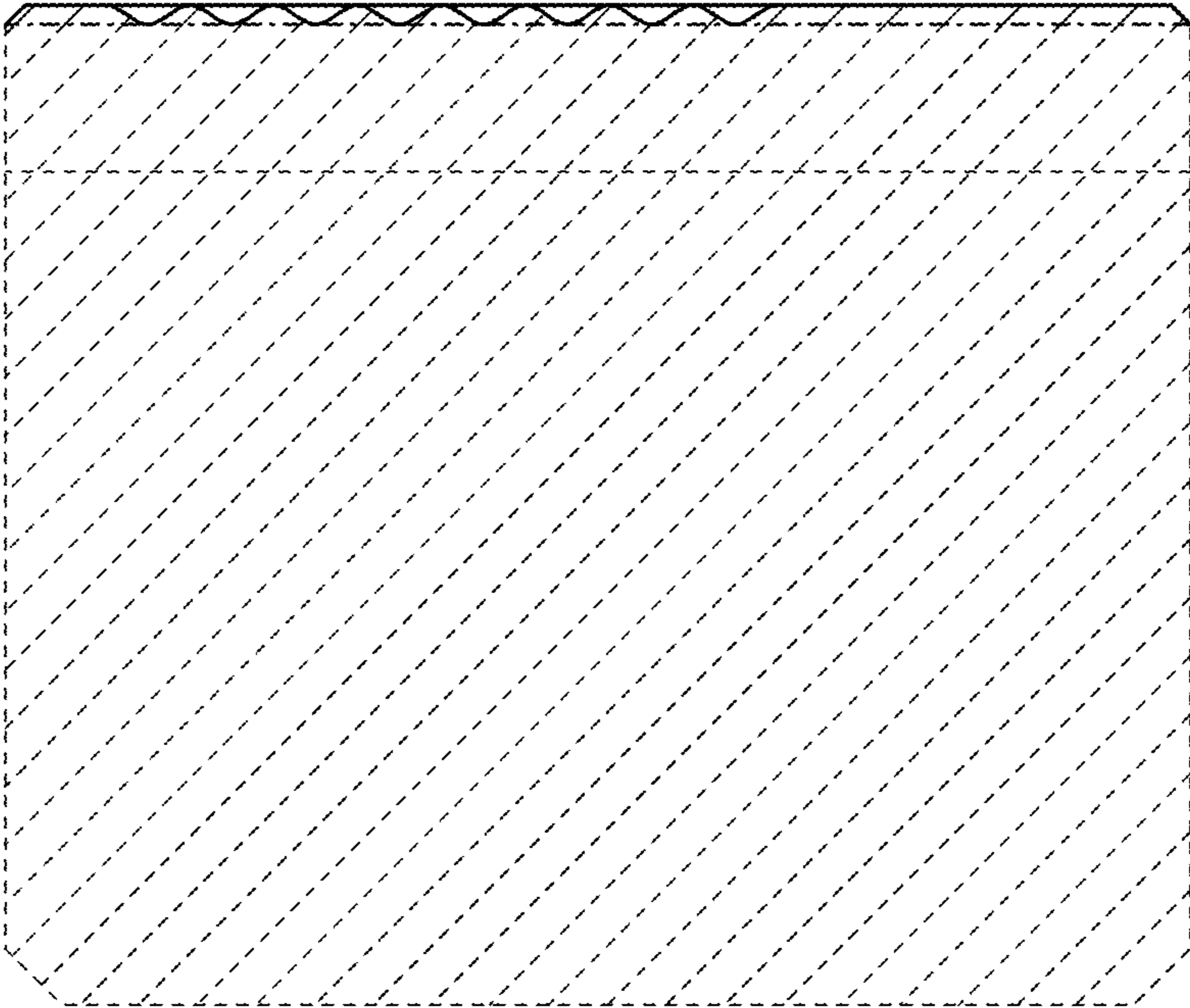


FIG. 8