



US00D951308S

(12) **United States Design Patent** (10) **Patent No.:** **US D951,308 S**
Yoon et al. (45) **Date of Patent:** **** *May 10, 2022**

(54) **PANEL FOR REFRIGERATOR**

(71) Applicant: **Samsung Electronics Co., Ltd.**,
Suwon-si (KR)

(72) Inventors: **Kisang Yoon**, Suwon-si (KR); **Suyeon Park**, Suwon-si (KR); **Seonju Lee**, Suwon-si (KR); **Aeryun Kim**, Suwon-si (KR); **Jaemin Lee**, Suwon-si (KR)

(73) Assignee: **Samsung Electronics Co., Ltd.**,
Suwon-si (KR)

(*) Notice: This patent is subject to a terminal disclaimer.

(**) Term: **15 Years**

(21) Appl. No.: **29/723,519**

(22) Filed: **Feb. 7, 2020**

(30) **Foreign Application Priority Data**

Aug. 8, 2019 (KR) 30-2019-0037978

(51) **LOC (13) Cl.** **15-07**

(52) **U.S. Cl.**
USPC **D15/91**

(58) **Field of Classification Search**
USPC D15/79, 81, 82, 85, 86, 87, 88, 89, 91
(Continued)

(56) **References Cited**

U.S. PATENT DOCUMENTS

D657,804 S * 4/2012 Lee D15/86
D719,589 S * 12/2014 Park D15/89
(Continued)

OTHER PUBLICATIONS

“Fhiaba Installation Series: Part 8—Preparing the Appliance for Panel Application” [online]. The Vetta Group Fhiaba Channel.

[Published on Apr. 24, 2014]. Retrieved from the Internet: <<https://www.youtube.com/watch?v=rCP36WSBAVc>>.*

Primary Examiner — Mojtaba Tehrani
(74) *Attorney, Agent, or Firm* — NSIP Law

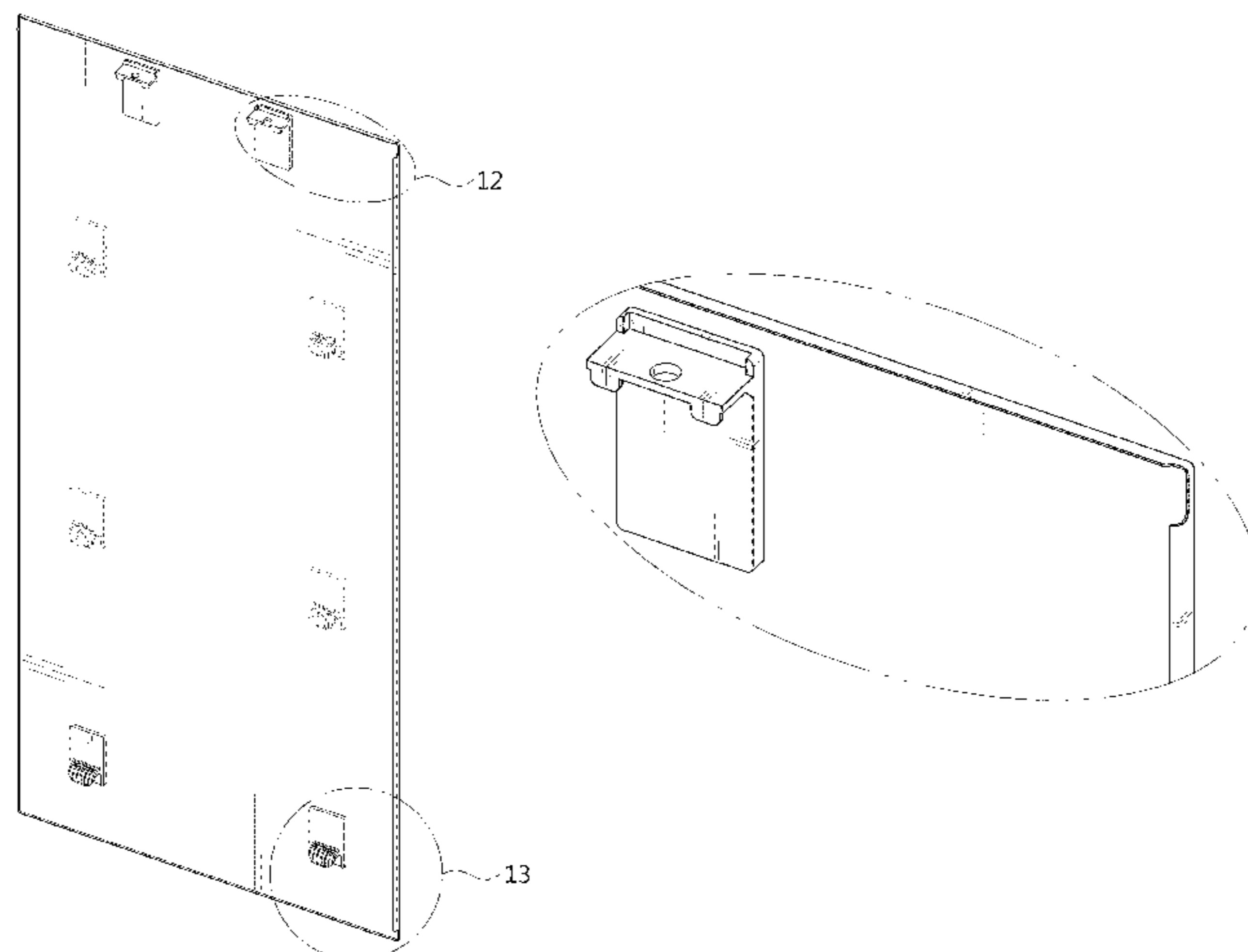
(57) **CLAIM**

We claim the ornamental design for a panel for refrigerator, as shown and described.

DESCRIPTION

FIG. 1 is a front perspective view of a panel for refrigerator showing our new design;
FIG. 2 is a front view thereof;
FIG. 3 is a rear view thereof;
FIG. 4 is a left-side view thereof;
FIG. 5 is a right-side view thereof;
FIG. 6 is a top view thereof;
FIG. 7 is a bottom view thereof;
FIG. 8 is a rear perspective view thereof;
FIG. 9 is an enlarged view of the encircled portion in FIG. 1;
FIG. 10 is an enlarged view of the encircled portion in FIG. 4;
FIG. 11 is an enlarged view of the encircled portion in FIG. 6;
FIG. 12 is an enlarged view of the encircled portion 12 in FIG. 8;
FIG. 13 is an enlarged view of the encircled portion 13 in FIG. 8; and,
FIG. 14 is an exploded front perspective view thereof, shown in an environment of use with an example refrigerator.
The dash-dash broken lines in the figures showing portions of the panel for refrigerator form no part of the claimed design.
The dash-dash broken lines in FIG. 14 illustrating a refrigerator are environment and form no part of the claimed design.

(Continued)



US D951,308 S

Page 2

The dot-dot-dash broken lines encircling portions of the claimed design that are illustrated in enlargements form no part of the claimed design.

1 Claim, 12 Drawing Sheets

(58) Field of Classification Search

CPC F25C 2400/10; F25D 2400/10; F25D 2400/12; F25D 2400/14; F25D 2400/18; G05B 2219/2654; G09F 23/0058; Y10S 292/71

See application file for complete search history.

(56) References Cited

U.S. PATENT DOCUMENTS

D771,160 S * 11/2016 Park D15/91
D771,161 S * 11/2016 Park D15/91

D869,518 S * 12/2019 Lee D15/85
D921,711 S * 6/2021 Lee D15/85
D921,712 S * 6/2021 Lee D15/86
D921,713 S * 6/2021 Lee D15/86
D921,714 S * 6/2021 Yoon D15/86
11,047,613 B1 * 6/2021 Park A47B 96/201
D933,110 S * 10/2021 Lee D15/86
2010/0154462 A1 * 6/2010 Arzoz Barandalla
F25D 23/028
62/449
2010/0156260 A1 * 6/2010 Arzoz Barandalla
F25D 23/028
312/405
2010/0170290 A1 * 7/2010 Arzoz Barandalla
F25D 23/028
62/449
2011/0025173 A1 * 2/2011 Ciyanoglu A47B 77/08
312/204
2012/0169196 A1 * 7/2012 Marchetti E06B 3/721
312/265.6
2020/0326119 A1 * 10/2020 Lee F25D 23/02

* cited by examiner

FIG. 1

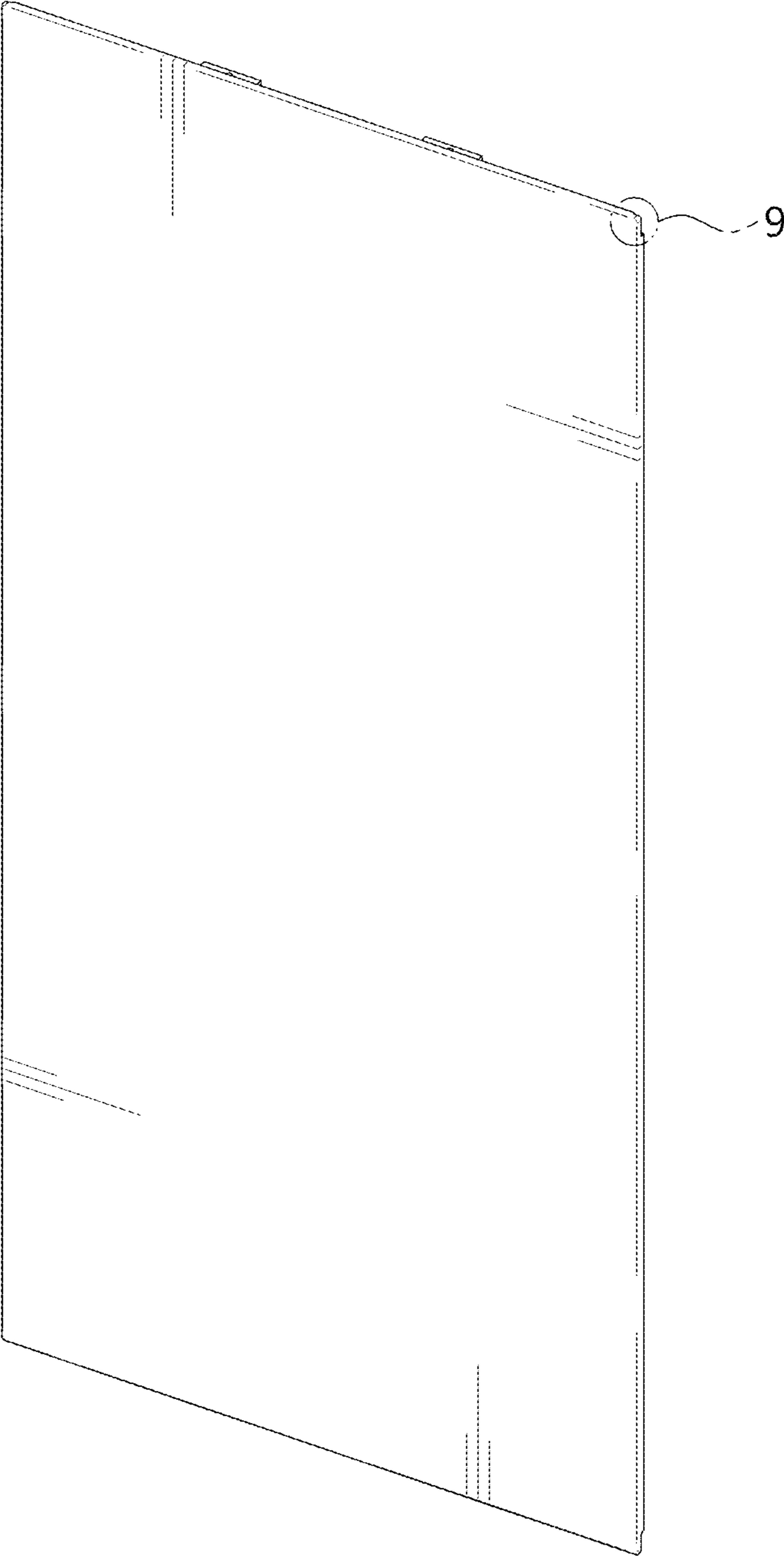


FIG. 2



FIG. 3

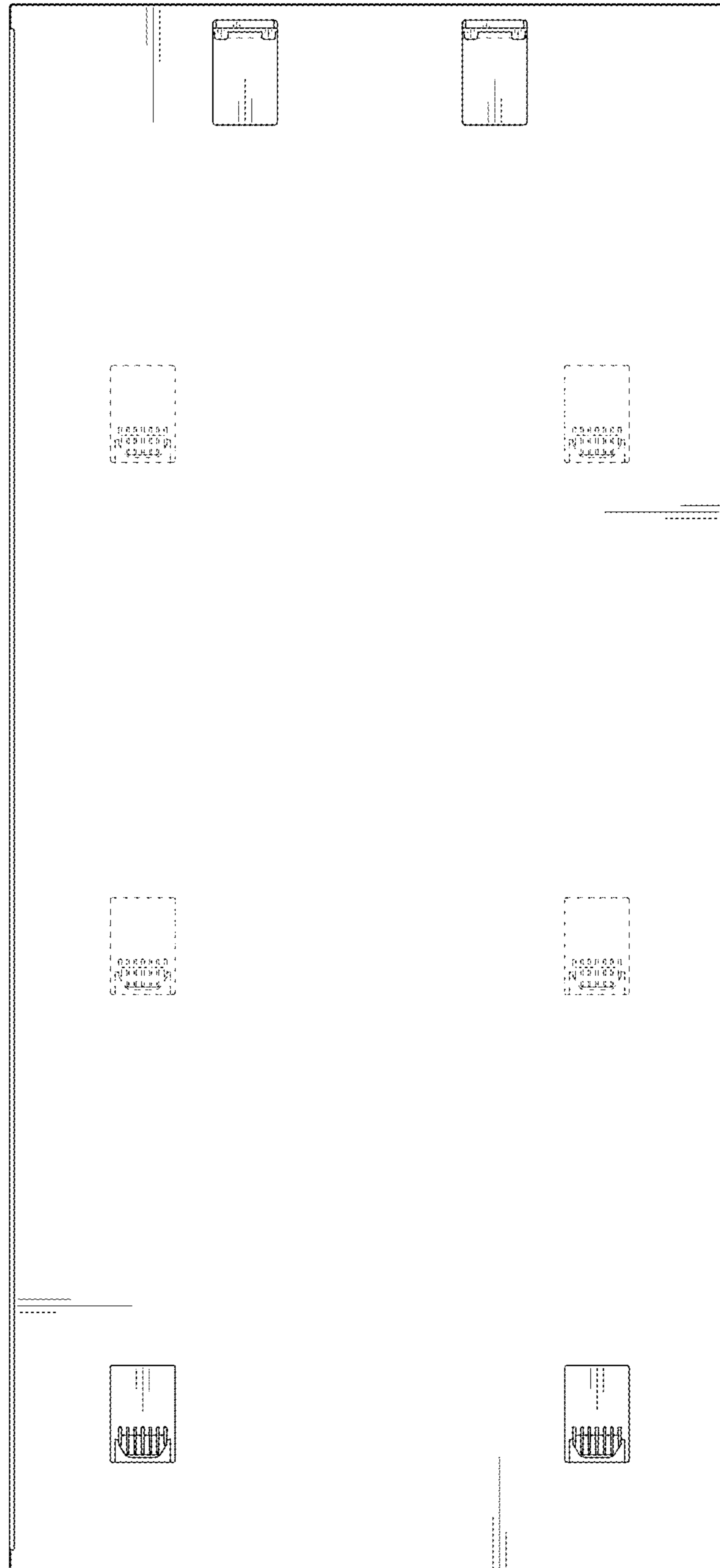


FIG. 4

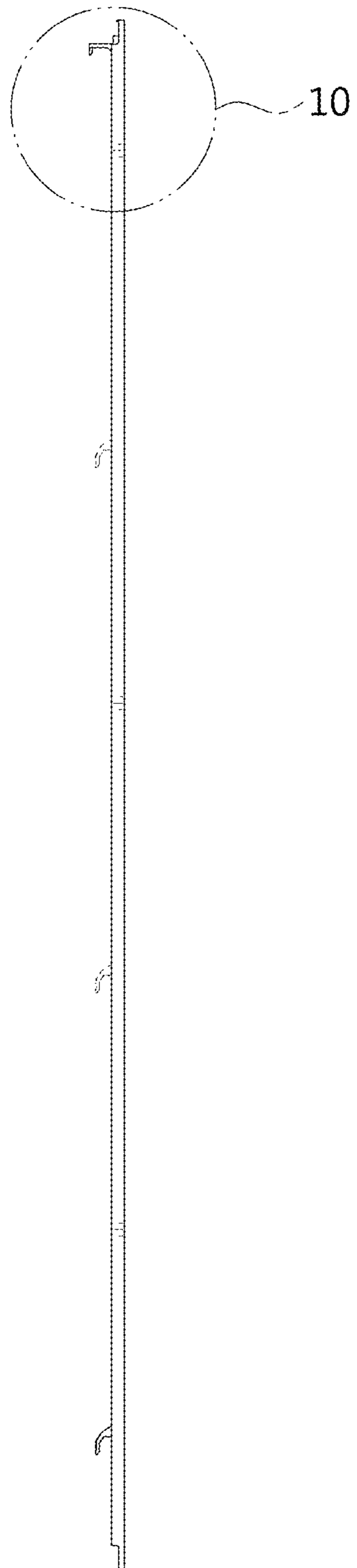


FIG. 5

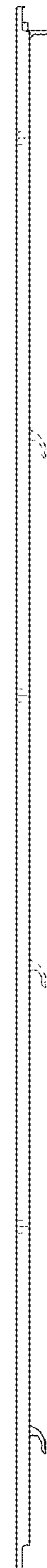


FIG. 6

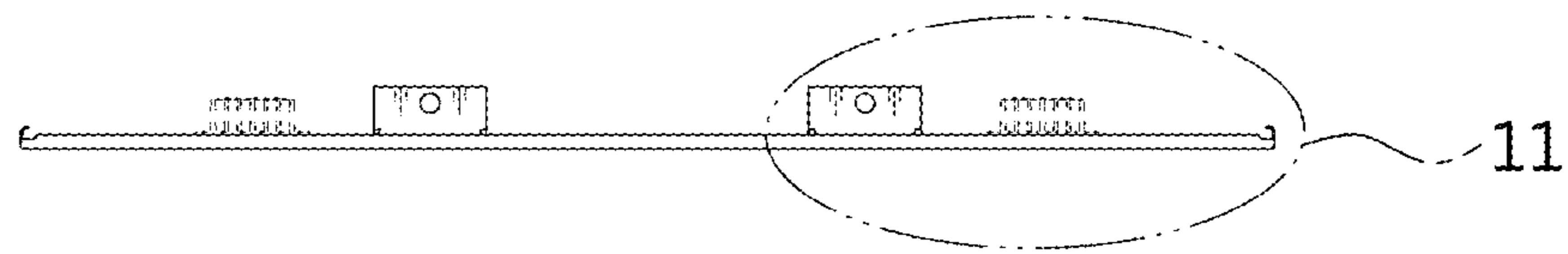


FIG. 7

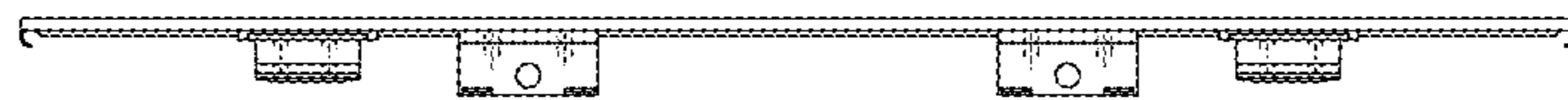


FIG. 8

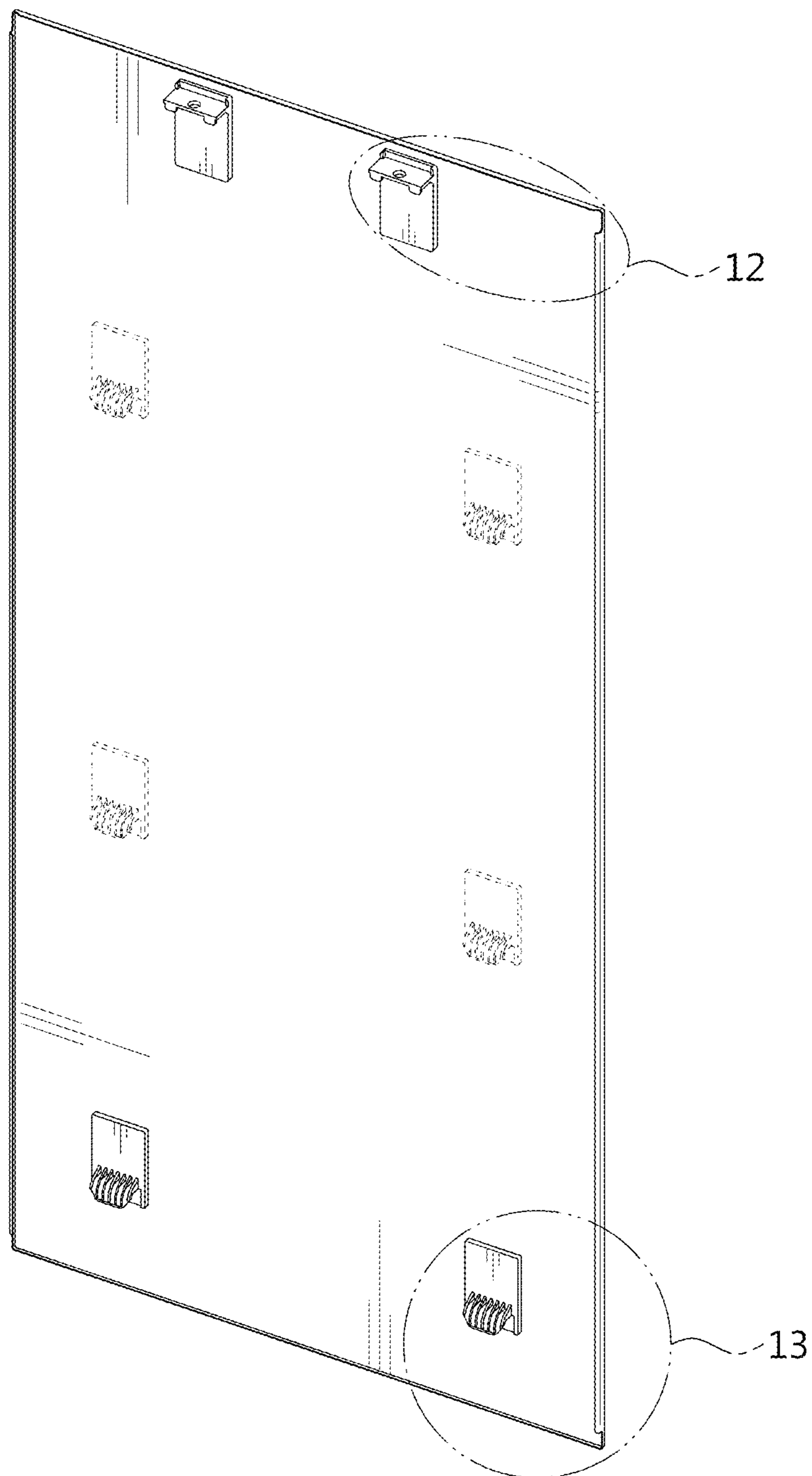


FIG. 9

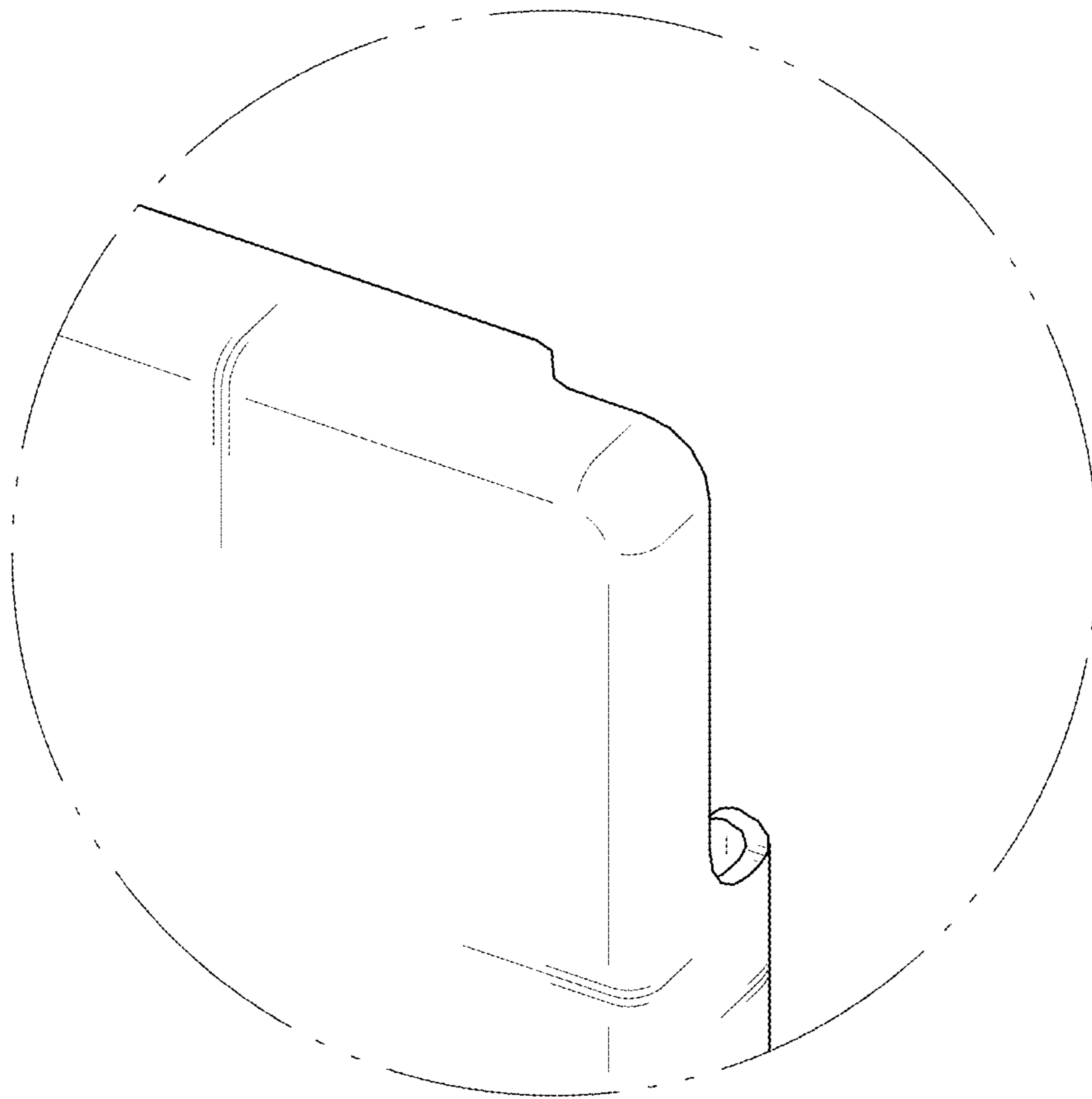


FIG. 10

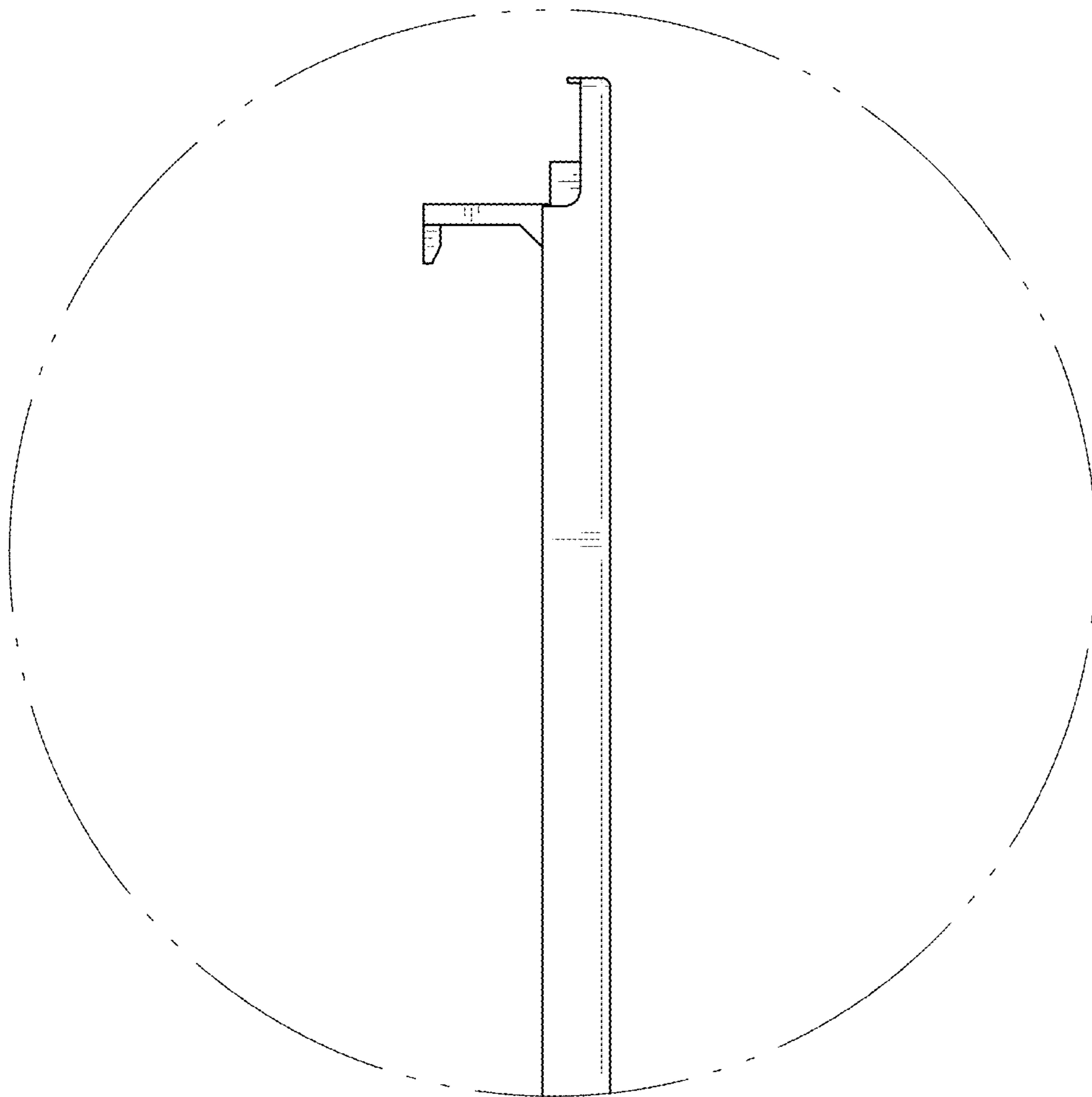


FIG. 11

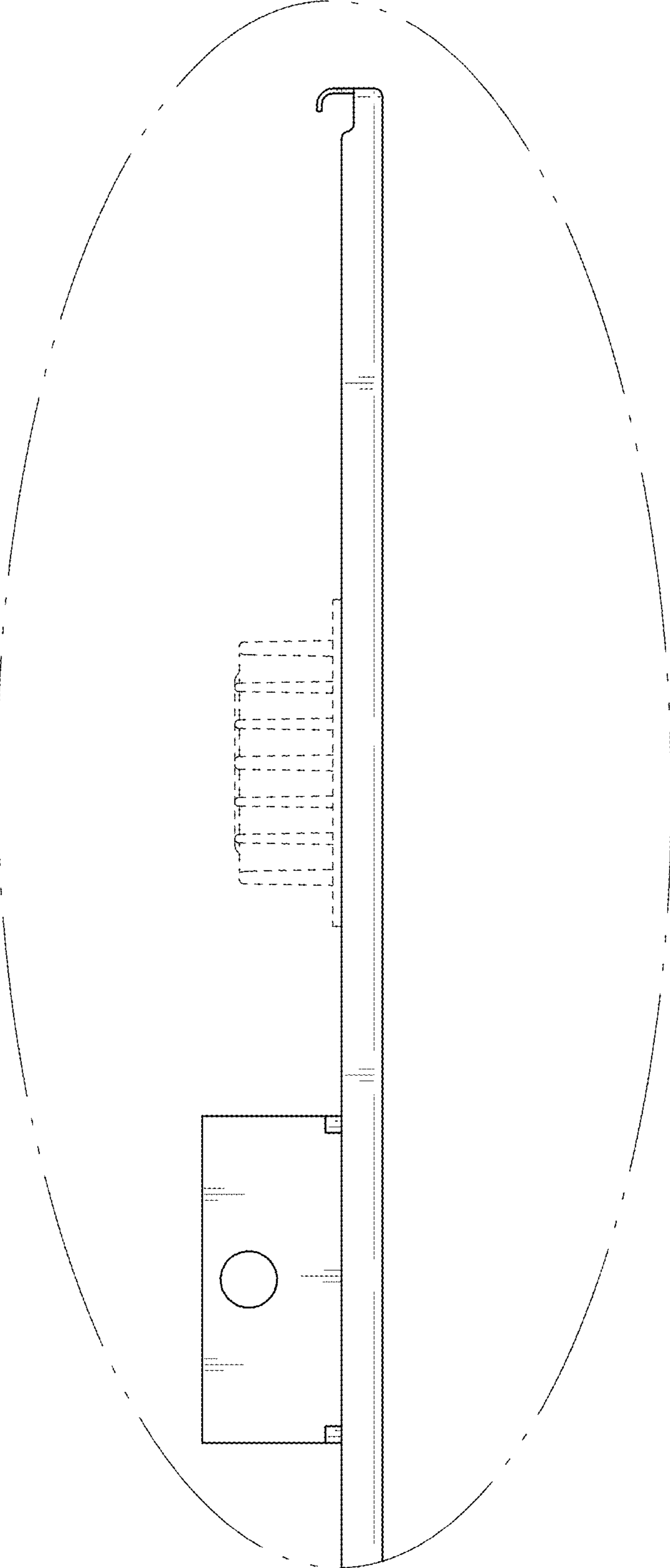


FIG. 12

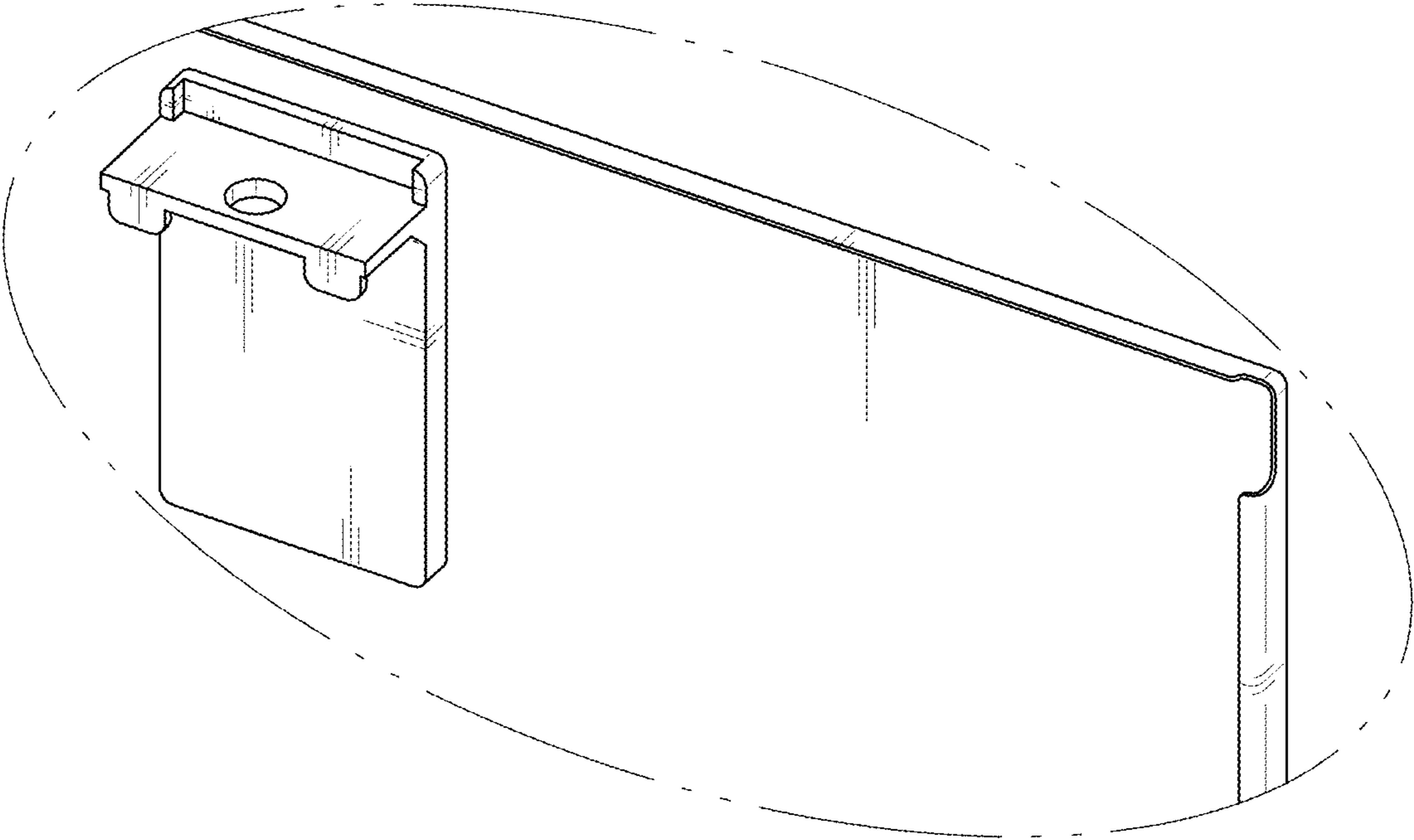


FIG. 13

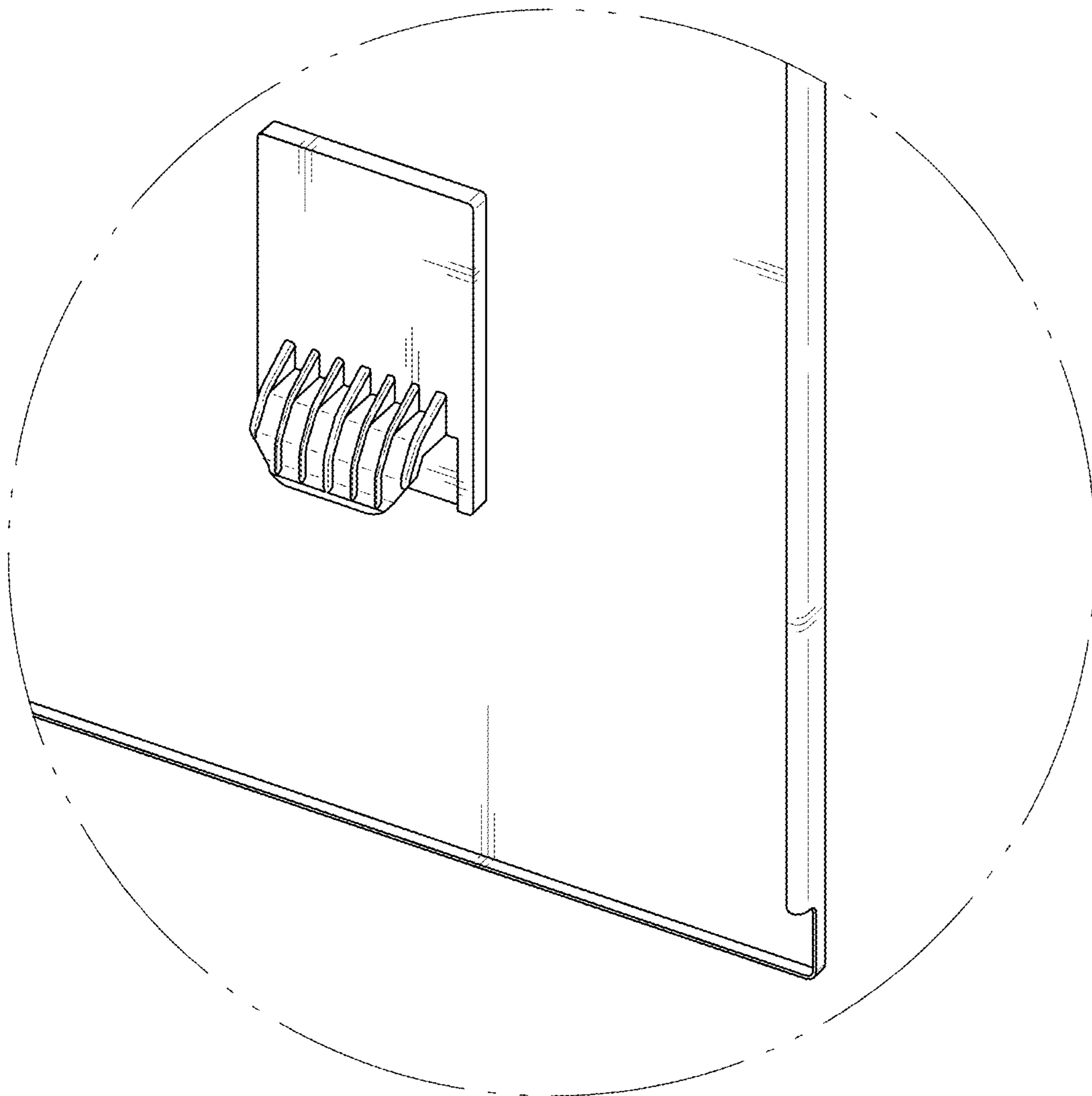


FIG. 14

