



US00D951307S

(12) **United States Design Patent** (10) **Patent No.:** **US D951,307 S**
Wu (45) **Date of Patent:** **** May 10, 2022**

(54) **ICE MOLD**

(71) Applicant: **Xiu Wu**, Shenzhen (CN)

(72) Inventor: **Xiu Wu**, Shenzhen (CN)

(**) Term: **15 Years**

(21) Appl. No.: **29/800,035**

(22) Filed: **Jul. 19, 2021**

(30) **Foreign Application Priority Data**

May 31, 2021 (CN) 202130328384.0

(51) **LOC (13) Cl.** **15-07**

(52) **U.S. Cl.**
USPC **D15/90**

(58) **Field of Classification Search**
USPC D15/79-91
CPC .. F25D 11/00; F25D 17/065; F25D 2325/022;
F25D 23/069; F25D 25/025; F25D 11/02;
F25D 17/062; F25D 21/12; F25D 21/125;
F25D 21/14; F25D 2317/061; F25D
2317/067; F25D 2323/021; F25D
2323/024; F25D 23/028; F25D 23/04;
F25D 23/066; F25D 23/085; F25D
23/087; F25D 23/126; F25D 2400/02;
F25D 2400/06; F25D 2400/361; F25D
2400/40; F25D 25/005; F25D 25/02;
F25D 2600/02; F25D 2700/02; F25D
2700/12; F25D 2700/121; F25D 2700/14;
F25D 29/00

See application file for complete search history.

(56) **References Cited**

U.S. PATENT DOCUMENTS

D513,019	S	12/2005	Lion et al.	
D553,165	S *	10/2007	Lee	D15/89
D636,412	S *	4/2011	Misse	D15/90
D706,316	S	6/2014	Hoyord et al.	
D720,783	S	1/2015	Yang et al.	
D759,735	S *	6/2016	Tsai	D15/90
D946,062	S *	3/2022	Murphy	D15/90
D946,064	S *	3/2022	Zheng	D15/90
2009/0152438	A1 *	6/2009	Chu	F25C 1/24 249/105
2018/0306479	A1 *	10/2018	Vazquez	F25C 1/18

* cited by examiner

Primary Examiner — Khawaja Anwar

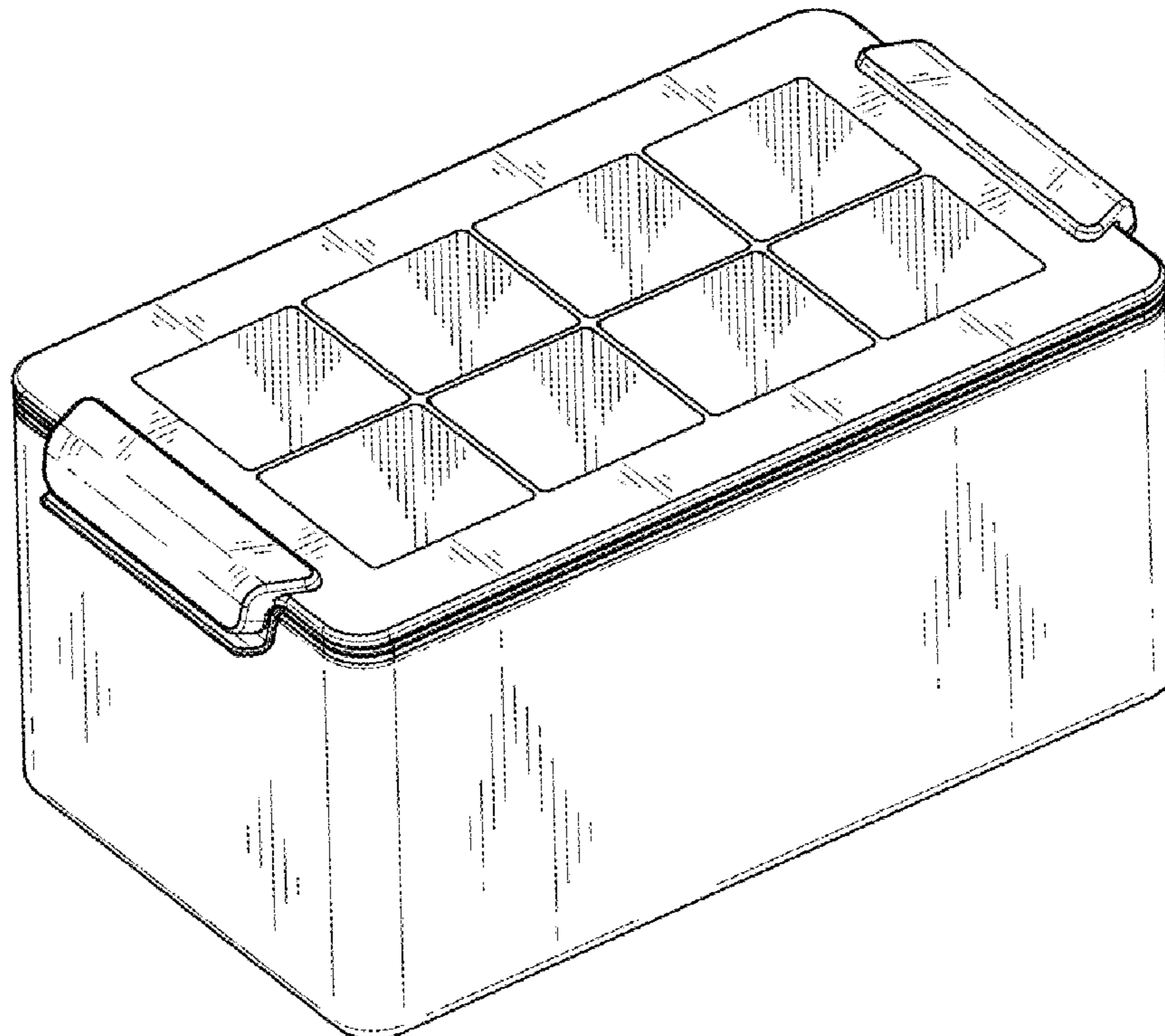
(57) **CLAIM**

The ornamental design for an ice mold, as shown and described.

DESCRIPTION

FIG. 1 is a perspective view of an ice mold showing my design;
FIG. 2 is a front elevation view thereof;
FIG. 3 is a back elevation view thereof;
FIG. 4 is a left side view thereof;
FIG. 5 is a right side view thereof;
FIG. 6 is a top plan view thereof;
FIG. 7 is a bottom plan view thereof; and,
FIG. 8 is an exploded view thereof.

1 Claim, 8 Drawing Sheets



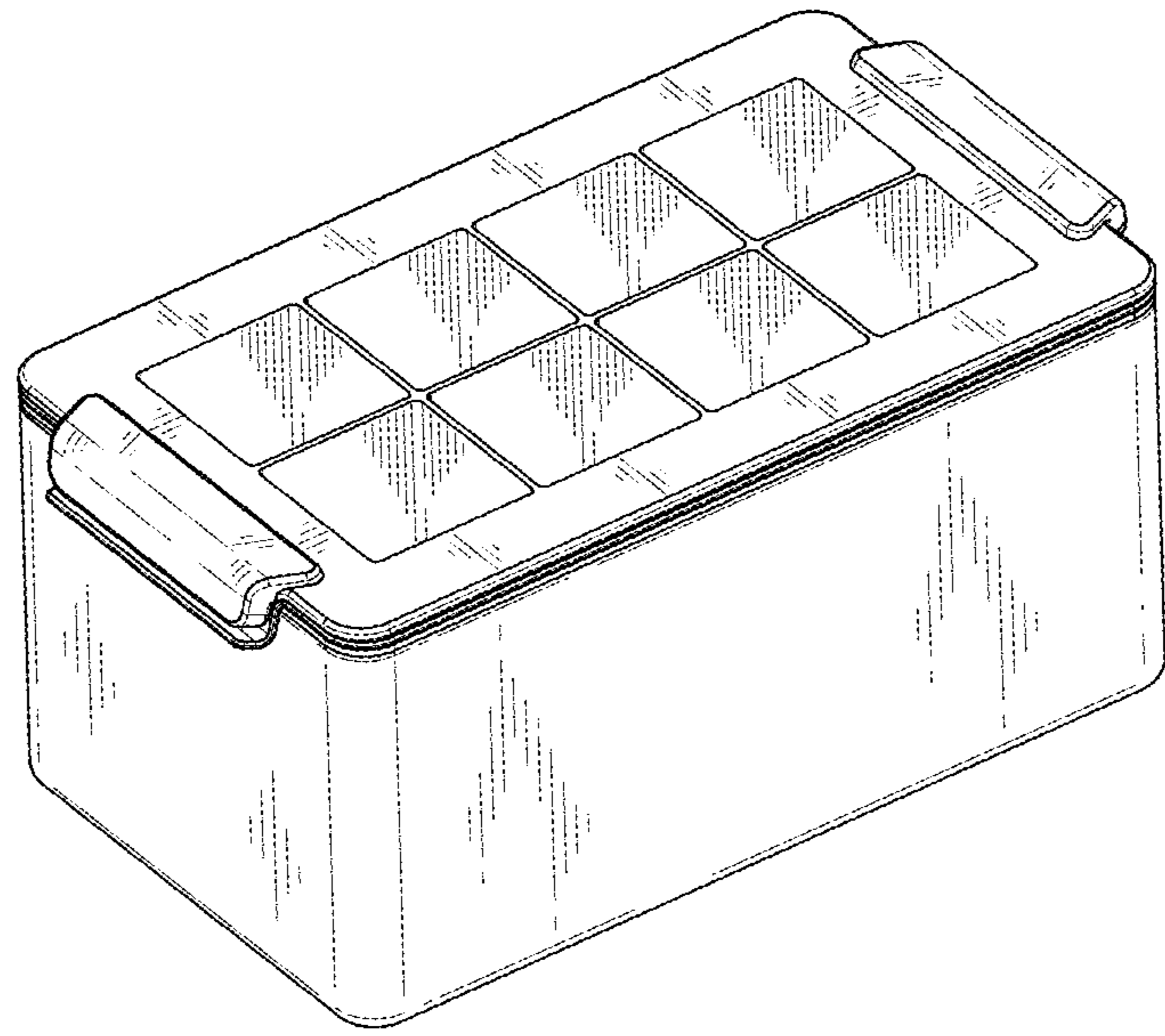


FIG. 1

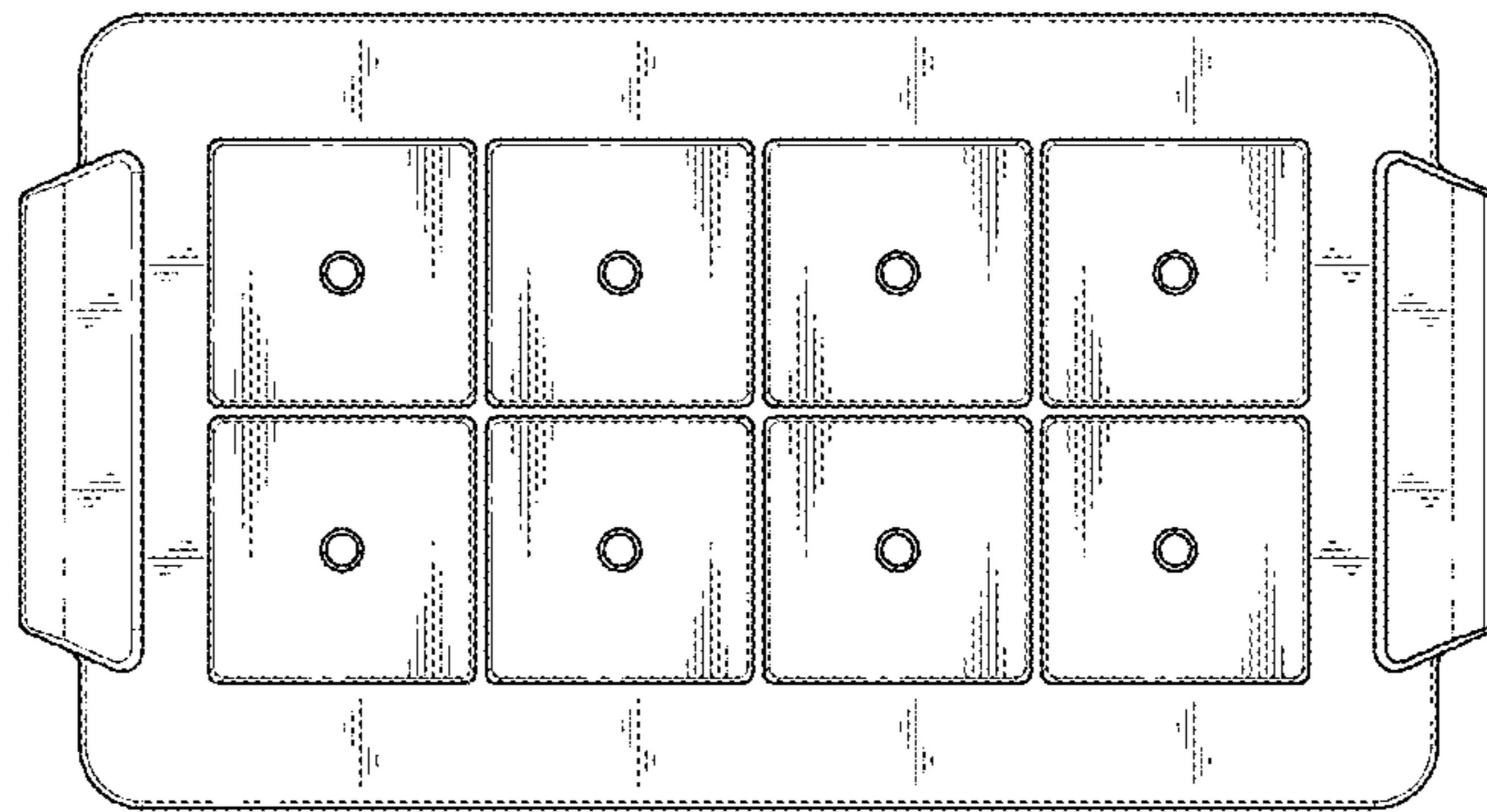


FIG. 2

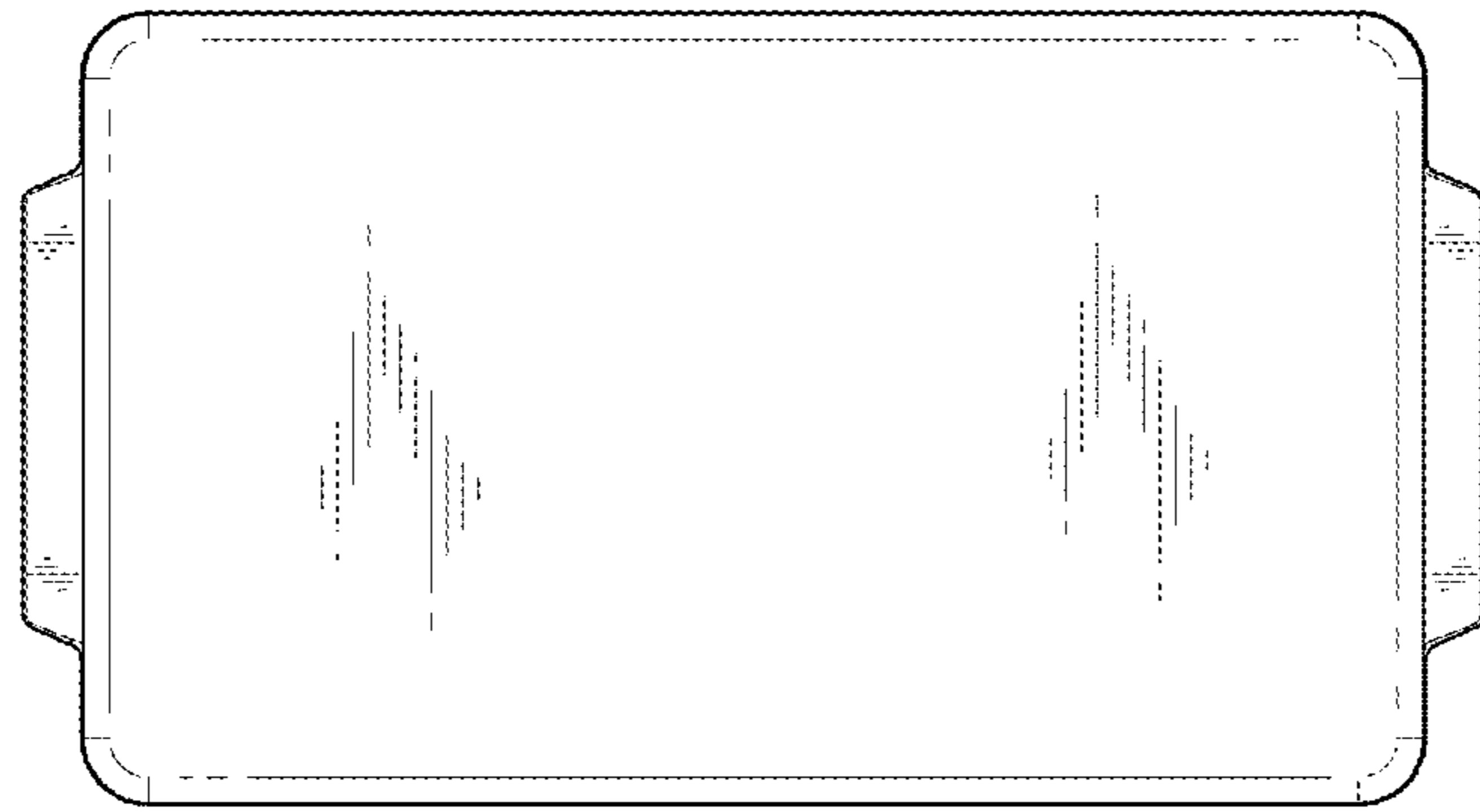


FIG. 3

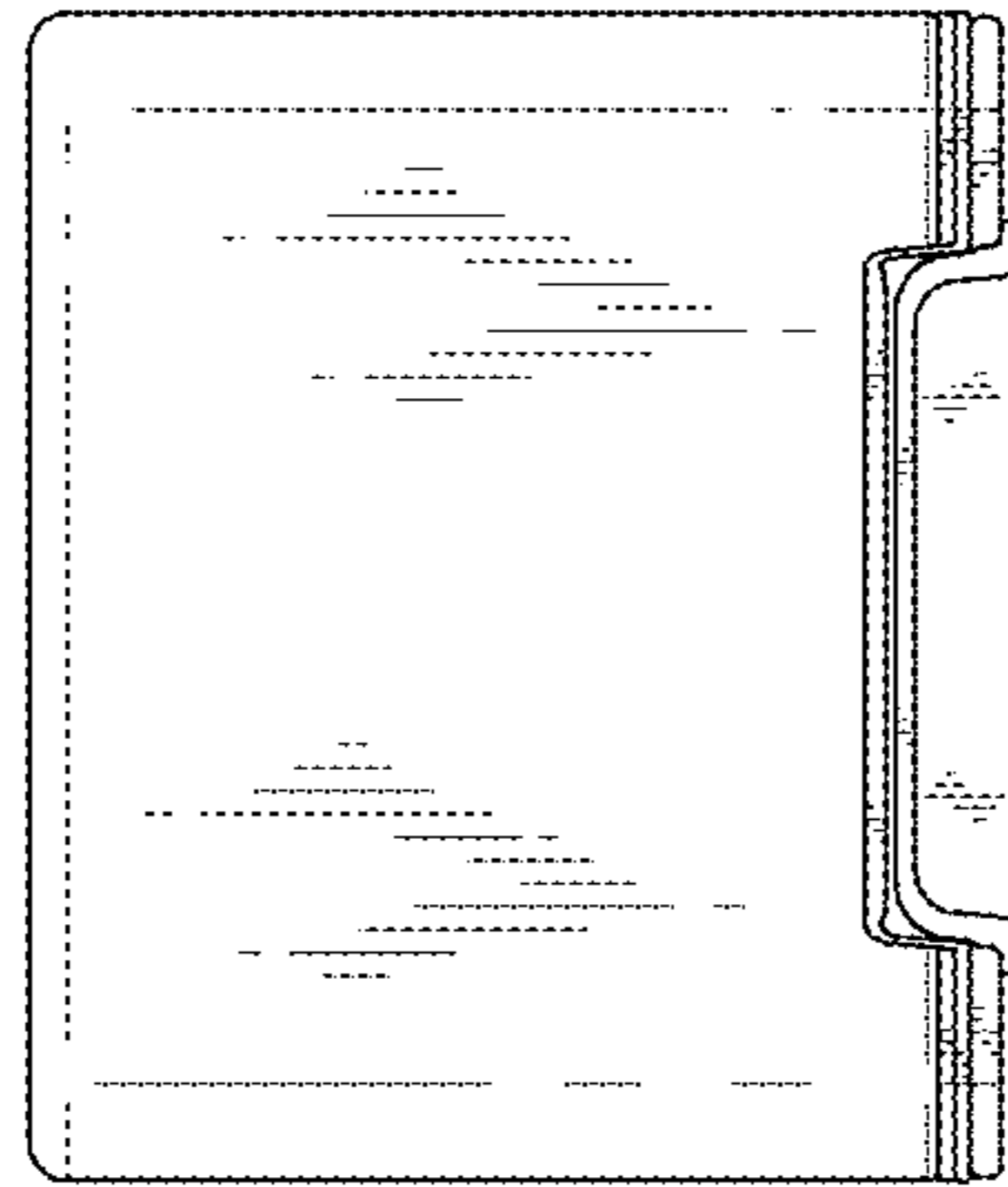


FIG. 4

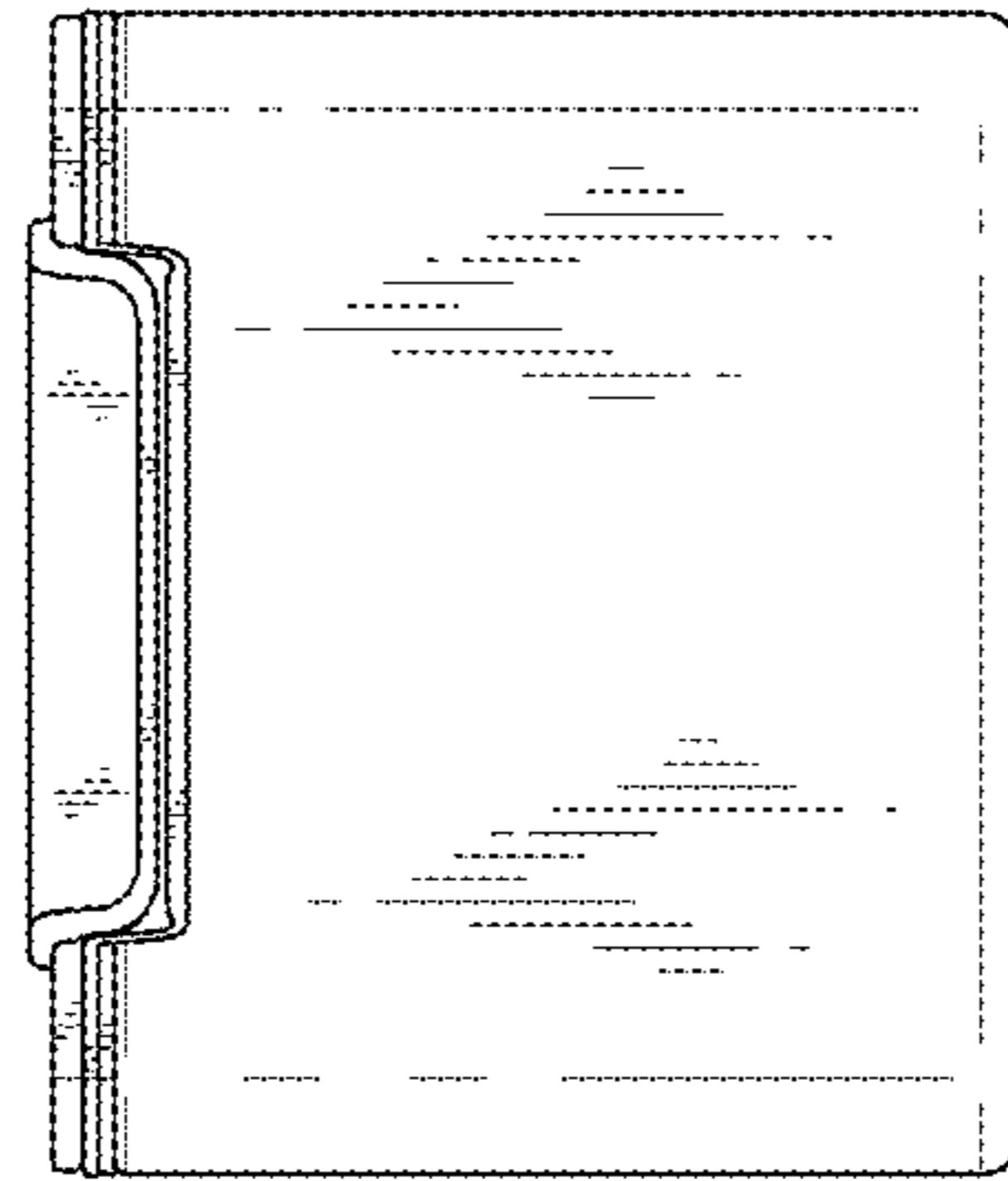


FIG. 5

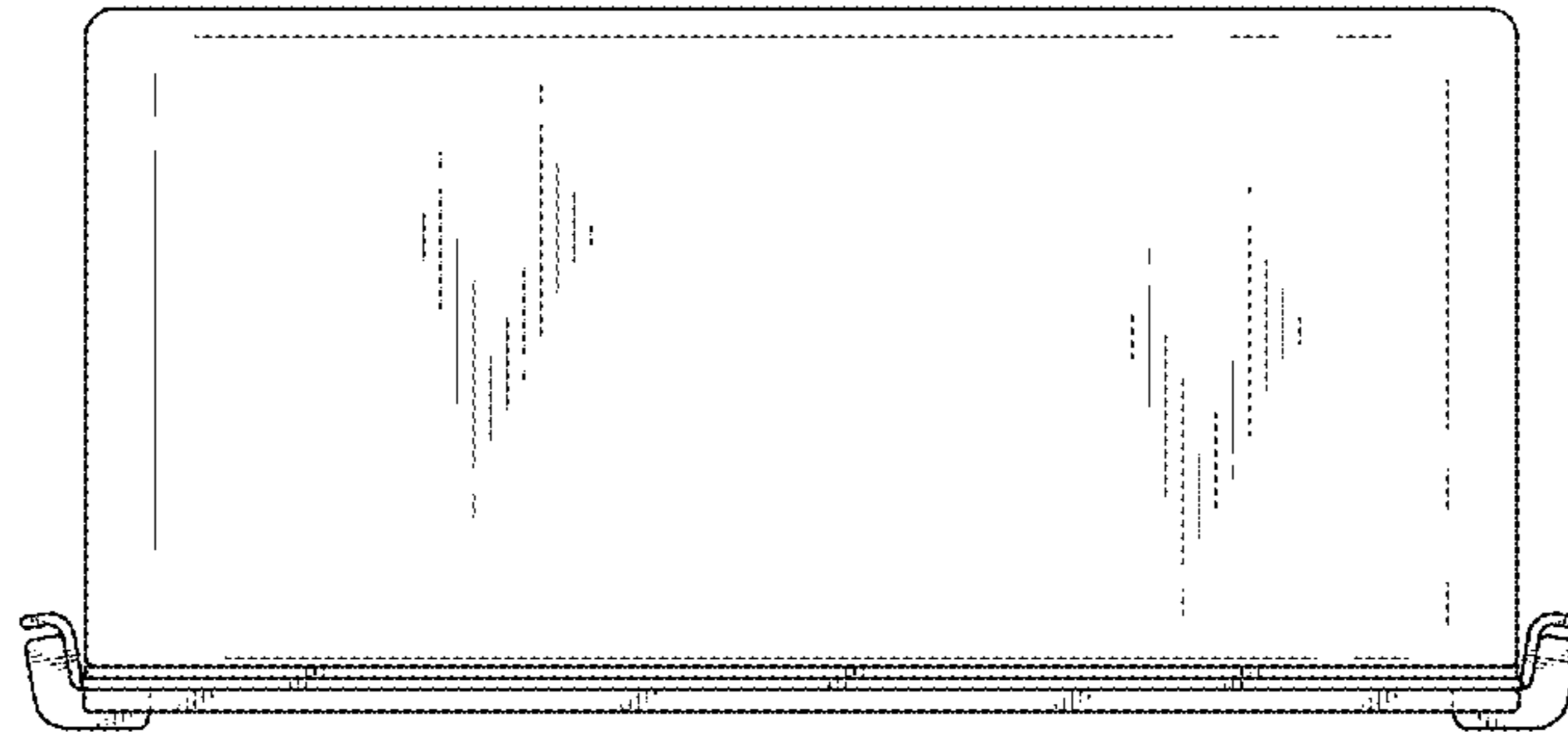


FIG. 6

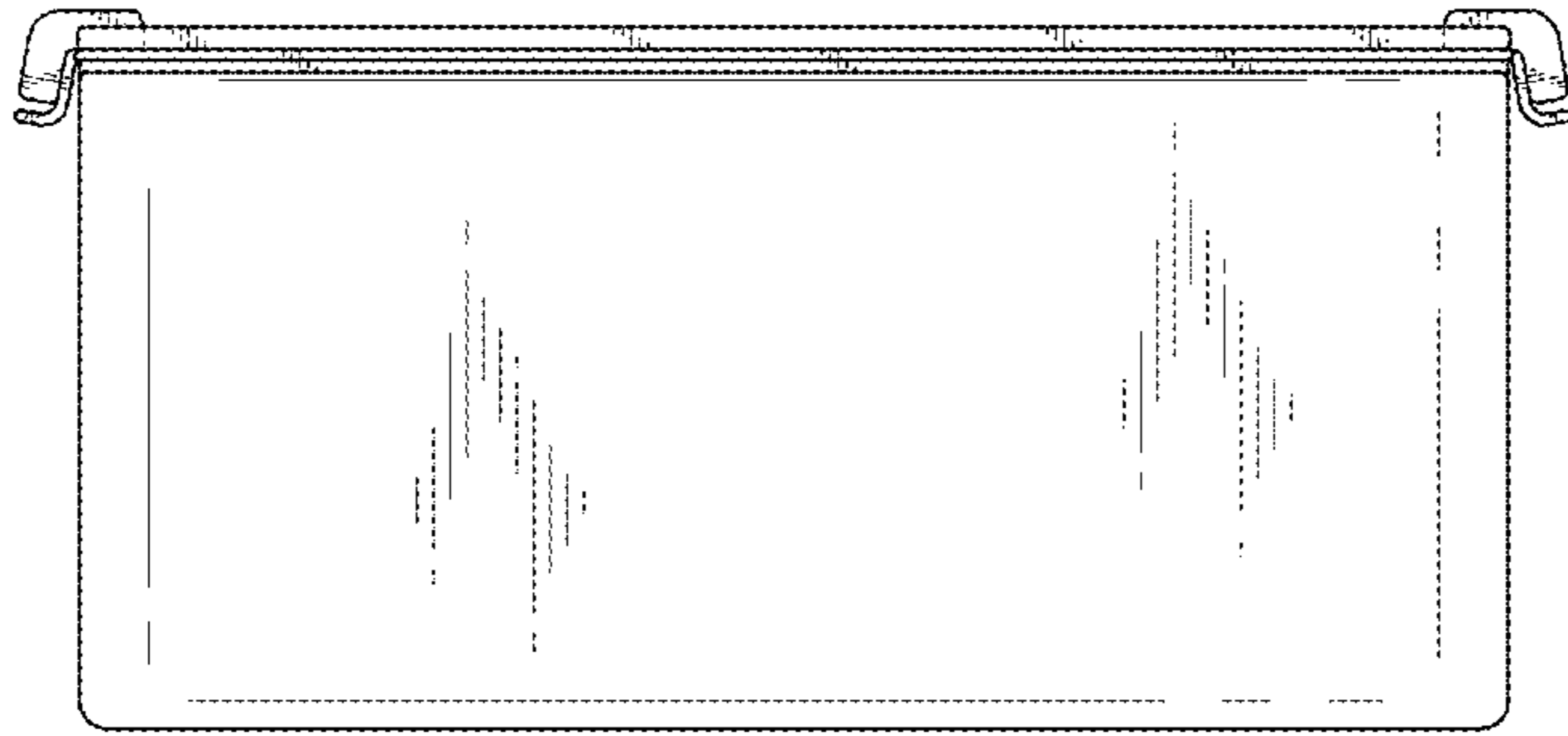


FIG. 7

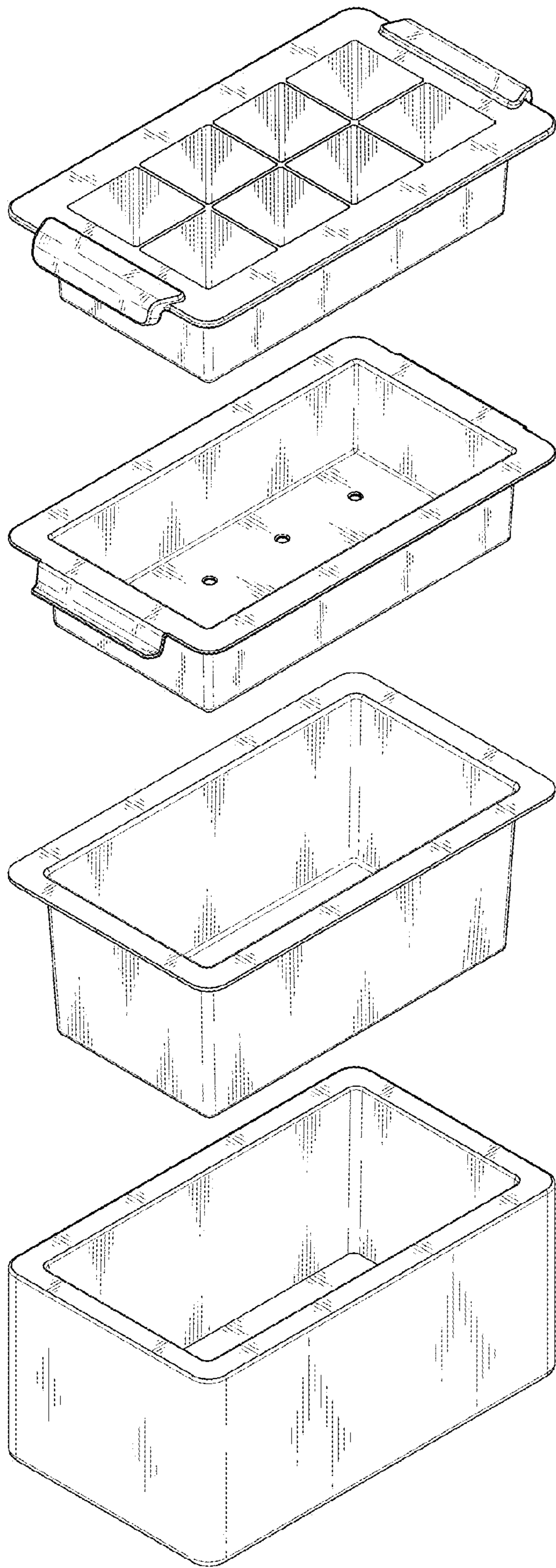


FIG. 8