



US00D951306S

(12) **United States Design Patent**
Yoon et al.

(10) **Patent No.:** **US D951,306 S**
(45) **Date of Patent:** **** May 10, 2022**

(54) **REFRIGERATOR**

(71) Applicant: **SAMSUNG ELECTRONICS CO., LTD.**, Suwon-si (KR)

(72) Inventors: **Kisang Yoon**, Suwon-si (KR);
Cheolwoong Seo, Suwon-si (KR);
Honguk Lee, Suwon-si (KR);
Sangwoon Jeon, Suwon-si (KR)

(73) Assignee: **SAMSUNG ELECTRONICS CO., LTD.**, Gyeonggi-Do (KR)

(**) Term: **15 Years**

(21) Appl. No.: **29/741,872**

(22) Filed: **Jul. 16, 2020**

(30) **Foreign Application Priority Data**

Apr. 17, 2020 (KR) 30-2020-0017159

(51) **LOC (13) Cl.** **15-07**

(52) **U.S. Cl.**
USPC **D15/81; D15/86**

(58) **Field of Classification Search**
USPC D15/79-91

(Continued)

(56) **References Cited**

U.S. PATENT DOCUMENTS

D603,429 S * 11/2009 Lee D15/85
D657,805 S * 4/2012 Cho D15/86

(Continued)

FOREIGN PATENT DOCUMENTS

KR 300374424 S 3/2005
KR 300457654 S 7/2007

(Continued)

OTHER PUBLICATIONS

LG Electronics, LRFDS3016S 36 Inch Smart French Door Craft Ice Refrigerator, (site visited Dec. 16, 2021), AJ Madison website,

URL:<<https://www.ajmadison.com/cgi-bin/ajmadison/LRFDS3016.html>> (Year: 2021).*

(Continued)

Primary Examiner — Calvin E Vasant
Assistant Examiner — Mark T. Philipps
(74) *Attorney, Agent, or Firm* — Cantor Colburn LLP

(57) **CLAIM**

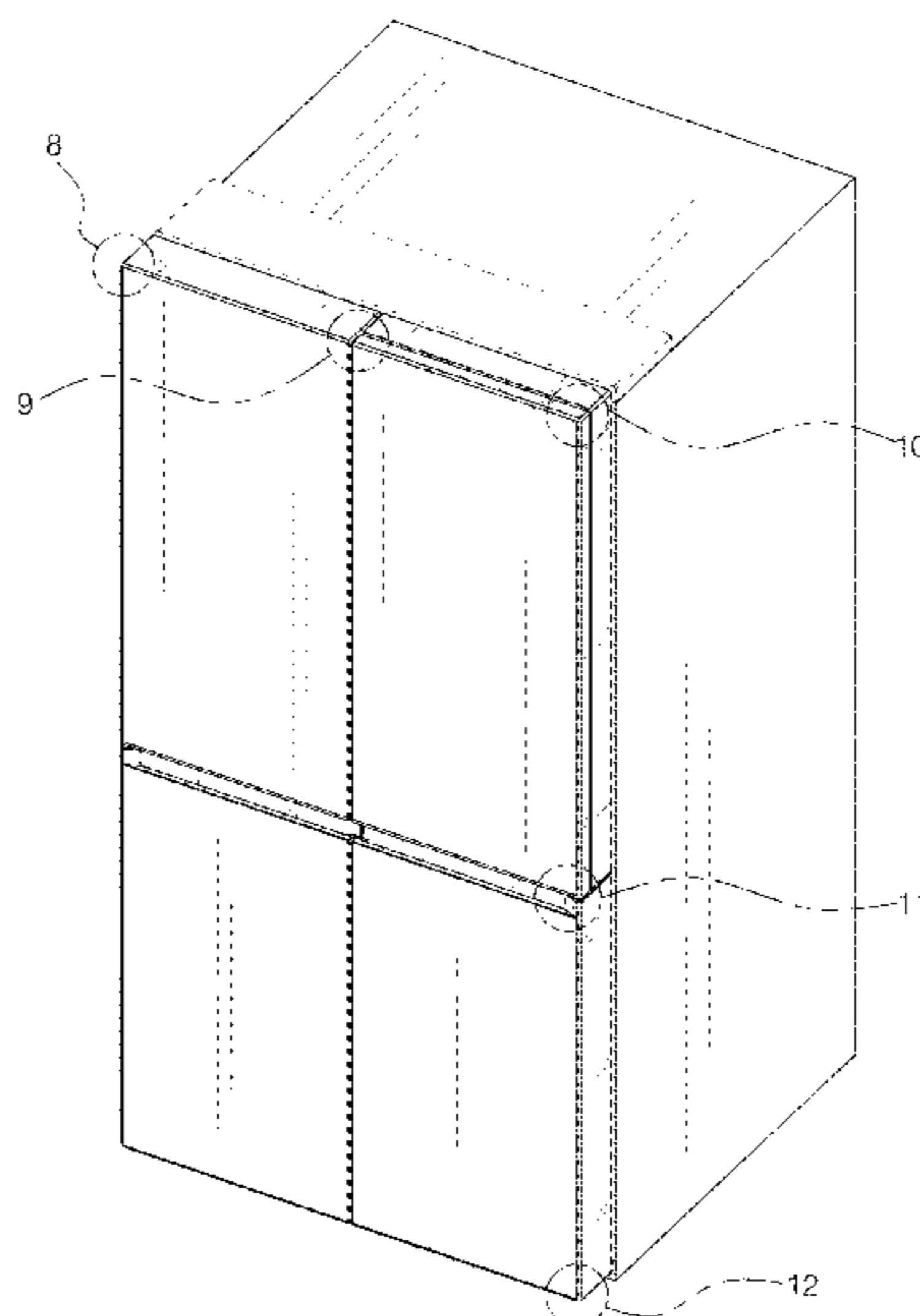
The ornamental design for a refrigerator, as shown and described.

DESCRIPTION

FIG. 1 is a front perspective view of a refrigerator, showing our new design;
FIG. 2 is a front view thereof;
FIG. 3 is a rear view thereof;
FIG. 4 is a left-side view thereof;
FIG. 5 is a right-side view thereof;
FIG. 6 is a top view thereof;
FIG. 7 is a bottom view thereof;
FIG. 8 is an enlarged view of the encircled portion '8' in FIG. 1;
FIG. 9 is an enlarged view of the encircled portion '9' in FIG. 1;
FIG. 10 is an enlarged view of the encircled portion '10' in FIG. 1;
FIG. 11 is an enlarged view of the encircled portion '11' in FIG. 1;
FIG. 12 is an enlarged view of the encircled portion '12' in FIG. 1; and,
FIG. 13 is an enlarged view of the encircled portion '13' in FIG. 2.

The dot-dot-dash broken lines encircling enlargement portions of the design form no part of the claimed design. The broken lines illustrating portions of the refrigerator form no part of the claimed design.

1 Claim, 13 Drawing Sheets



(58) **Field of Classification Search**

CPC F25D 2323/021; F25D 2323/024; F25D 29/00; F25D 27/005; F25D 29/005; F25D 17/042; F25D 2325/021; F25D 11/00; F25D 11/02; F25D 11/025; F25D 23/00; F25D 23/02; F25D 23/04; F25D 23/12; F25D 23/028; F25D 25/02; F25D 25/021; F25D 25/022; F25D 25/024; F25D 25/025; A47F 3/04; A47F 3/0404

See application file for complete search history.

D921,065	S	*	6/2021	Lee	D15/89
D921,711	S	*	6/2021	Lee	D15/85
D921,714	S	*	6/2021	Yoon	D15/86
D933,110	S	*	10/2021	Lee	D15/86
2015/0069900	A1	*	3/2015	Lim	F25D 23/025 312/405
2015/0225225	A1	*	8/2015	Tae	B67D 1/0858 222/146.2

(56) **References Cited**

U.S. PATENT DOCUMENTS

D658,215	S	*	4/2012	Seo	D15/86
D715,335	S	*	10/2014	Kim	D15/85
D729,285	S	*	5/2015	Seo	D15/85
D740,335	S	*	10/2015	Hwang	D15/89
D741,380	S	*	10/2015	Ogg	D15/86
D786,317	S	*	5/2017	Kim	D15/85
D798,915	S	*	10/2017	Vicari	D15/86
D807,410	S	*	1/2018	Cho	D15/86
D814,533	S	*	4/2018	Kim	D15/85
D832,312	S	*	10/2018	Kim	D15/86
D838,297	S	*	1/2019	Choi	D15/81
D847,875	S	*	5/2019	Kim	D15/85
D869,518	S	*	12/2019	Lee	D15/85
D888,110	S	*	6/2020	Lee	D15/85
D905,767	S	*	12/2020	Lee	D15/89
D921,064	S	*	6/2021	Lee	D15/89

FOREIGN PATENT DOCUMENTS

WO	DM074856	11/2010
WO	DM096469	3/2017
WO	DM101990	7/2018

OTHER PUBLICATIONS

Samsung, RF23A9671SR 36 Inch Counter Depth 4-Door Flex™ Smart Refrigerator, (site visited Dec. 16, 2021), AJ Madison website, URL:<<https://www.ajmadison.com/cgi-bin/ajmadison/RF23A9671.html>> (Year: 2021).*

Cafe, CQE28DM5NS5 36 Inch 4-Door French Door Smart Refrigerator, (site visited Dec. 16, 2021), AJ Madison website, URL:<<https://www.ajmadison.com/cgi-bin/ajmadison/CQE28DM5NS5.html>> (Year: 2021).*

Dacor, DRF36C700SR 36 Inch Smart French Door Refrigerator, (site visited Dec. 16, 2021), AJ Madison website, URL:<<https://www.ajmadison.com/cgi-bin/ajmadison/DRF36C700X.html>> (Year: 2021).*

* cited by examiner

FIG. 1

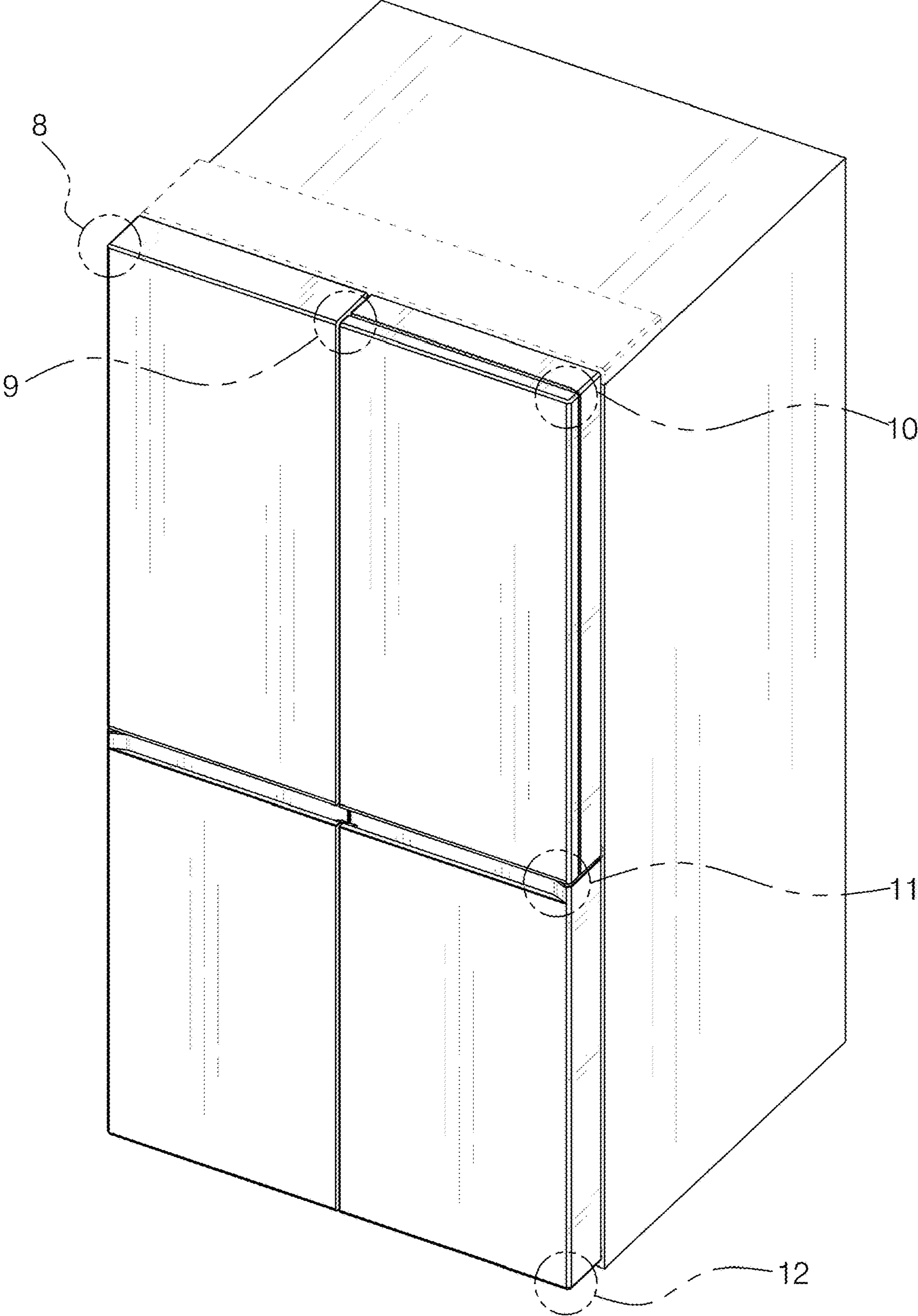


FIG. 2

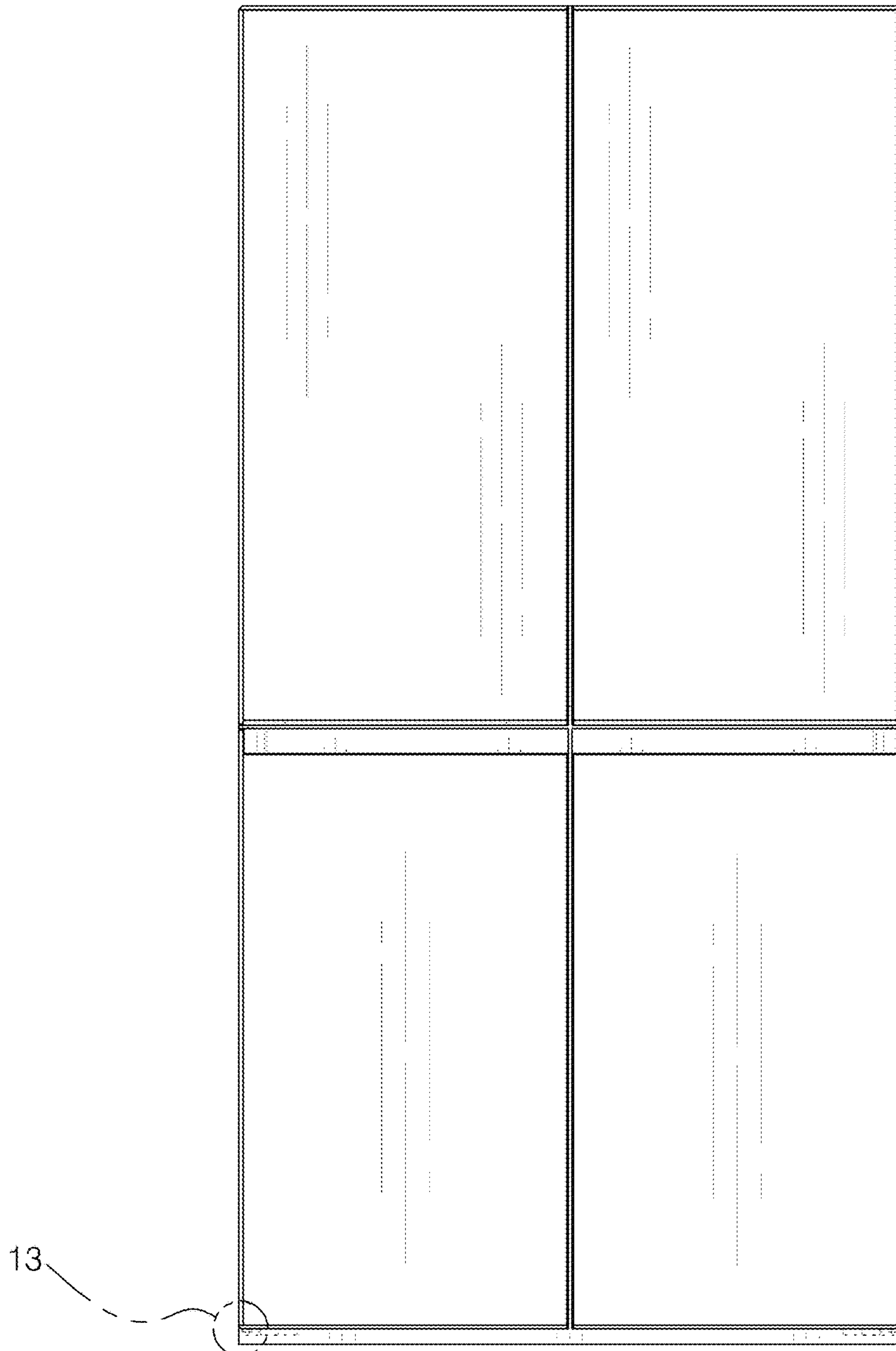


FIG. 3

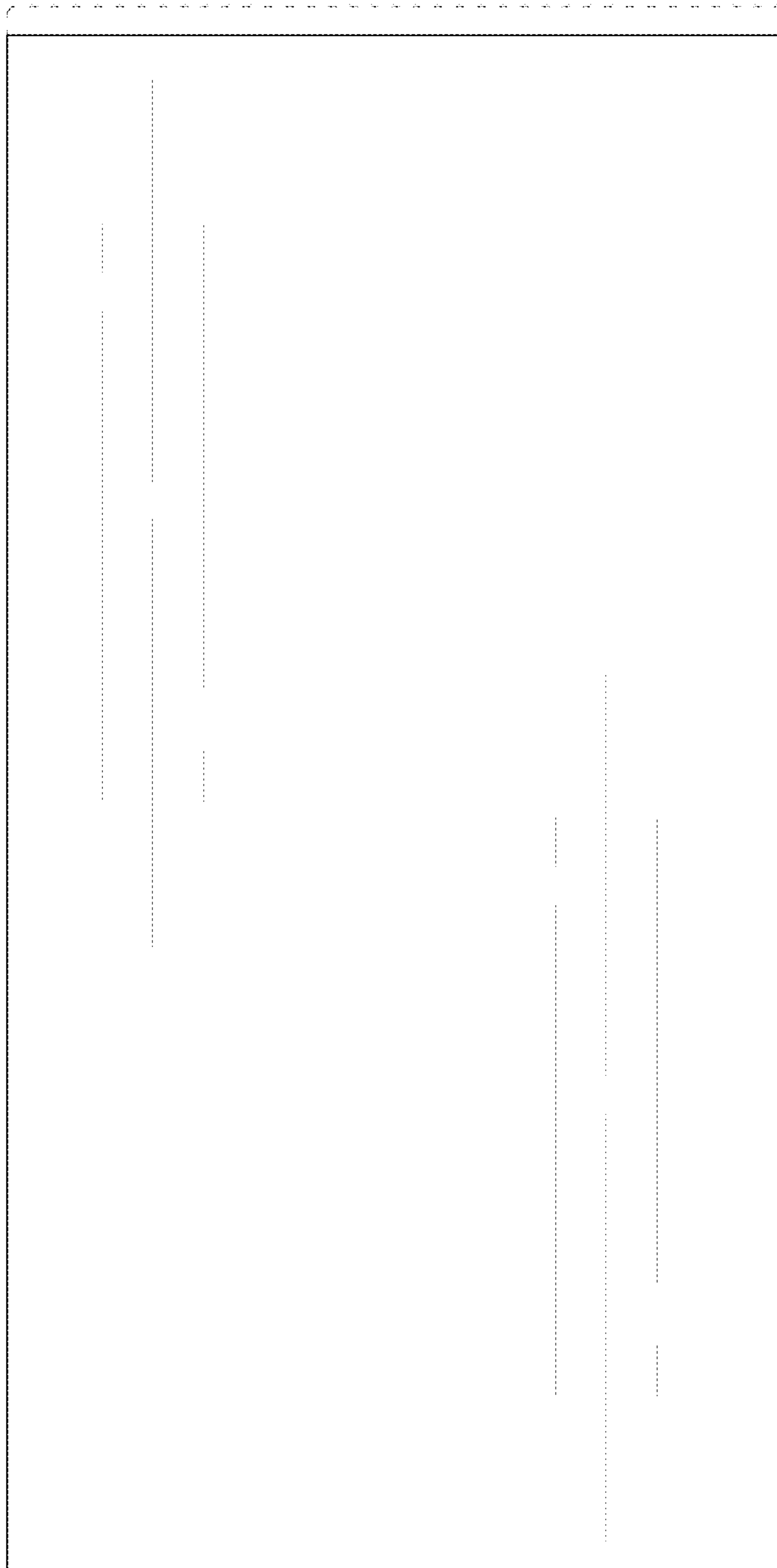


FIG. 4

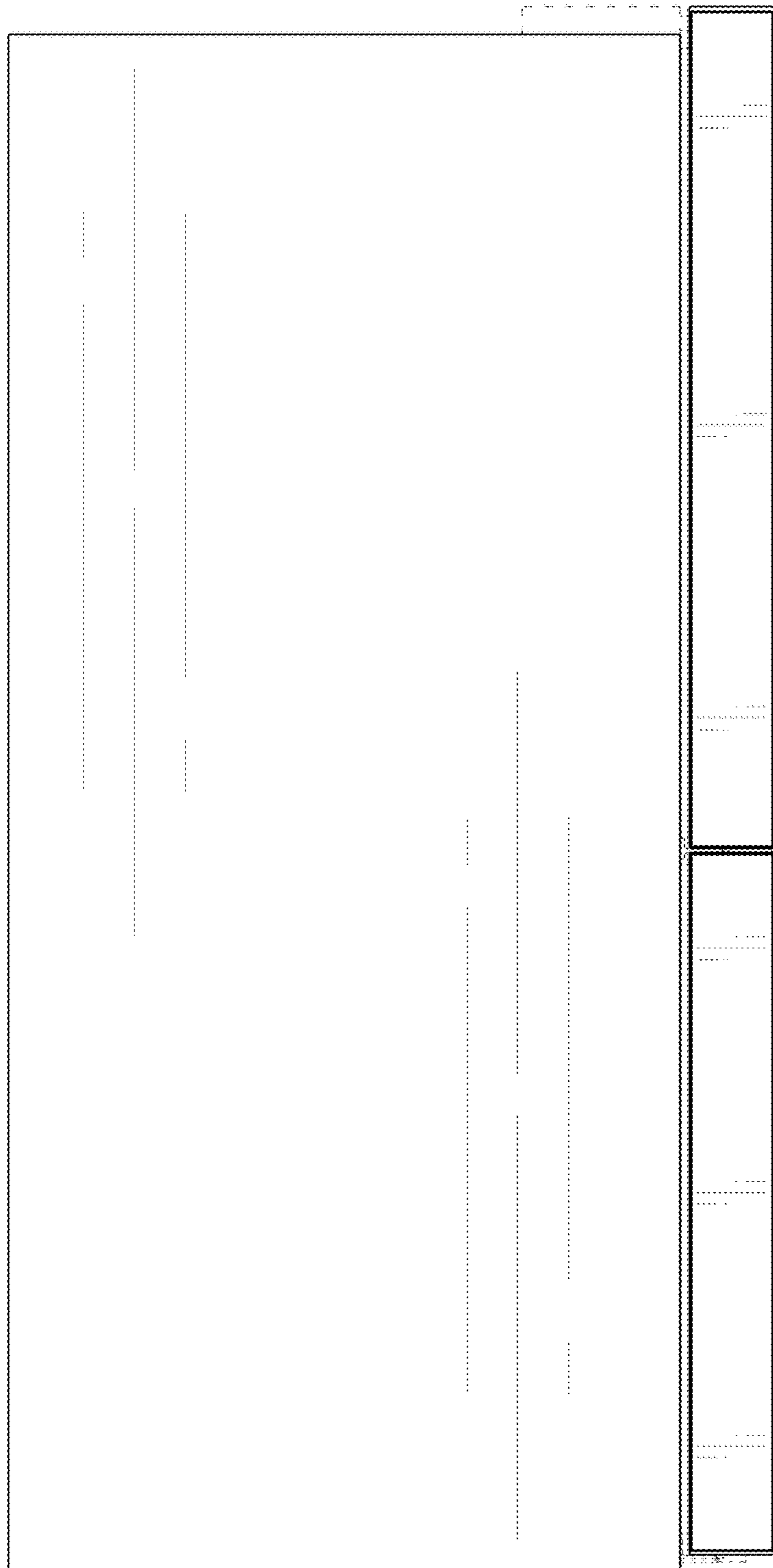


FIG. 5



FIG. 6

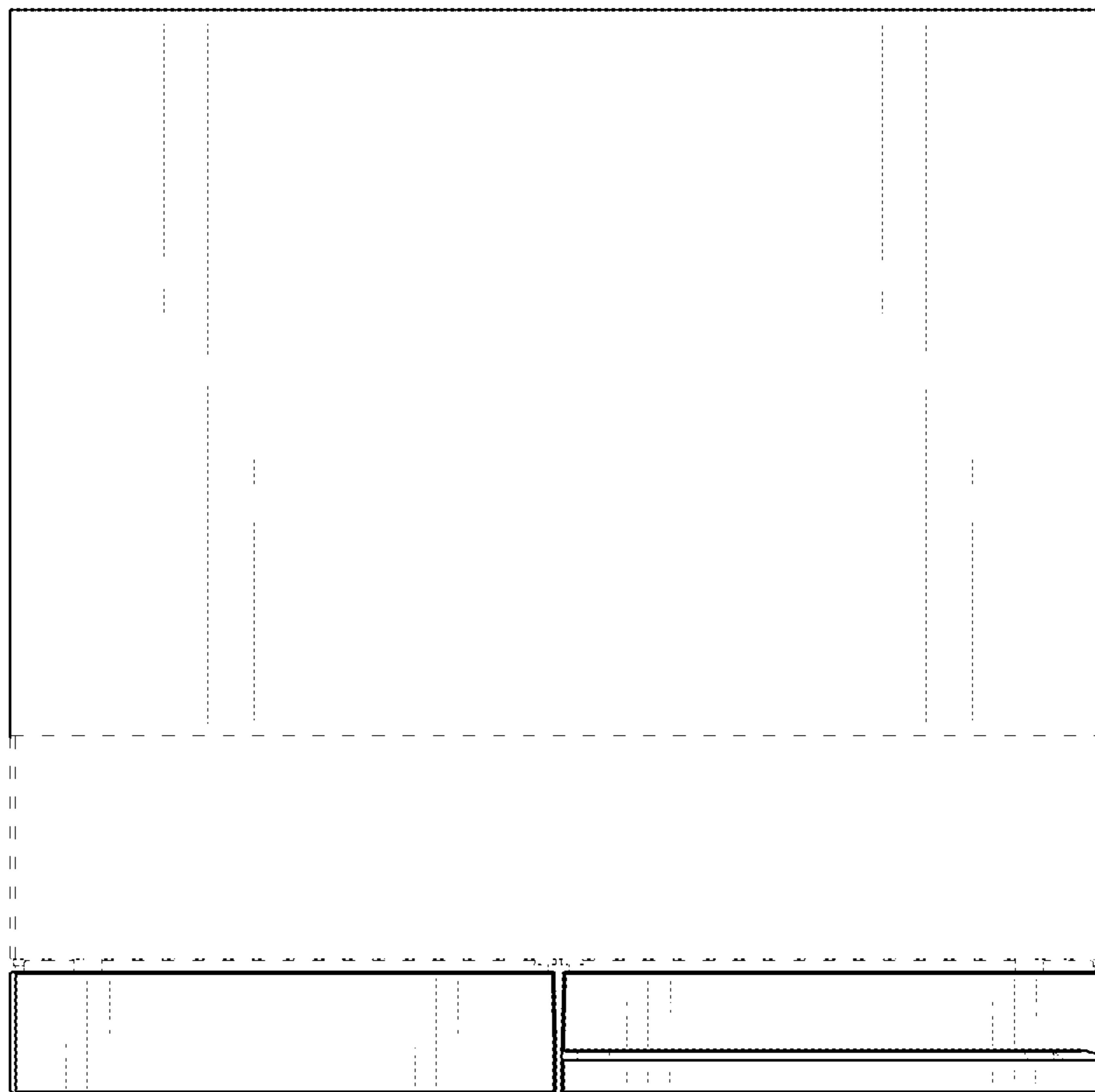


FIG. 7

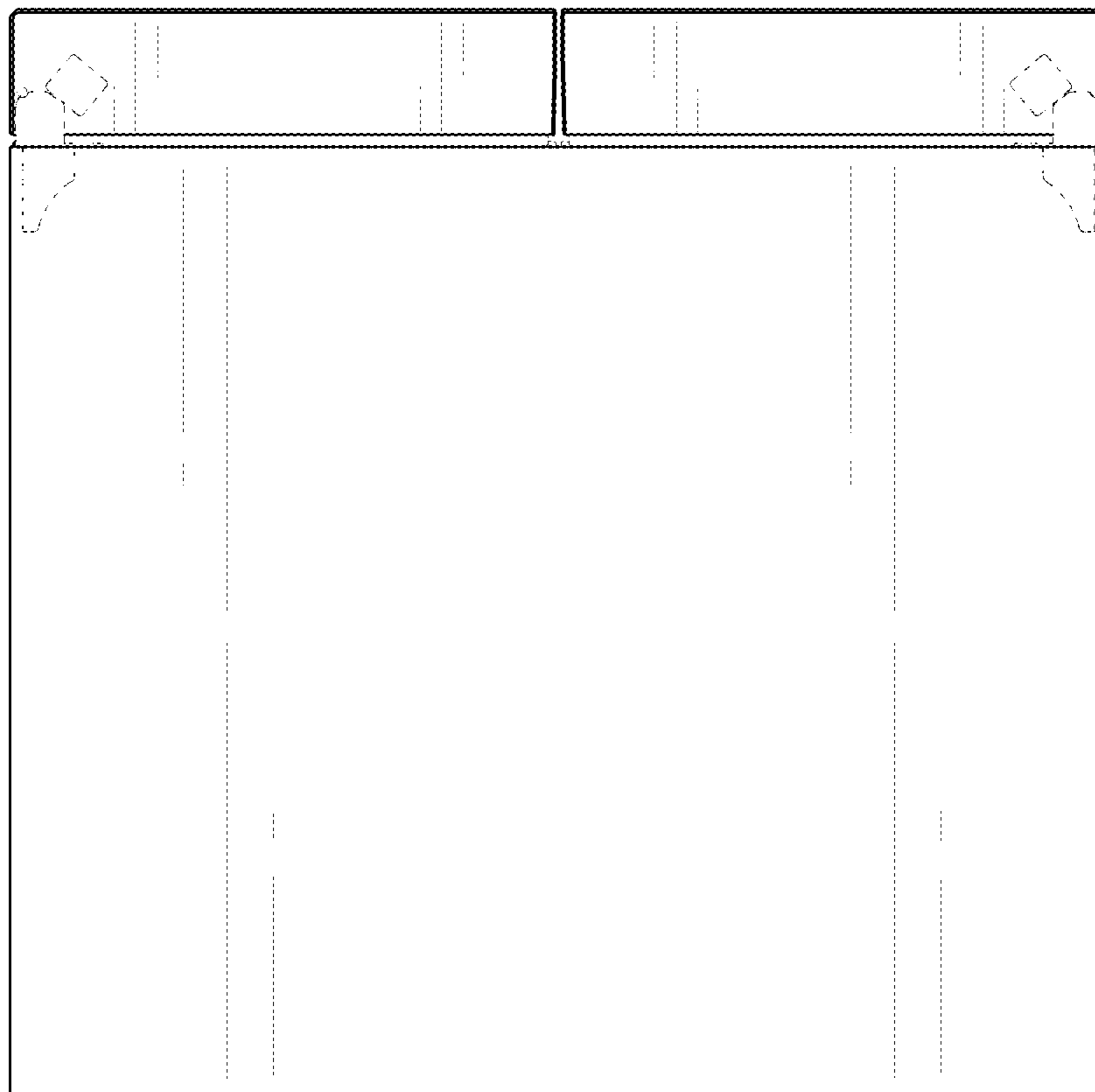


FIG. 8

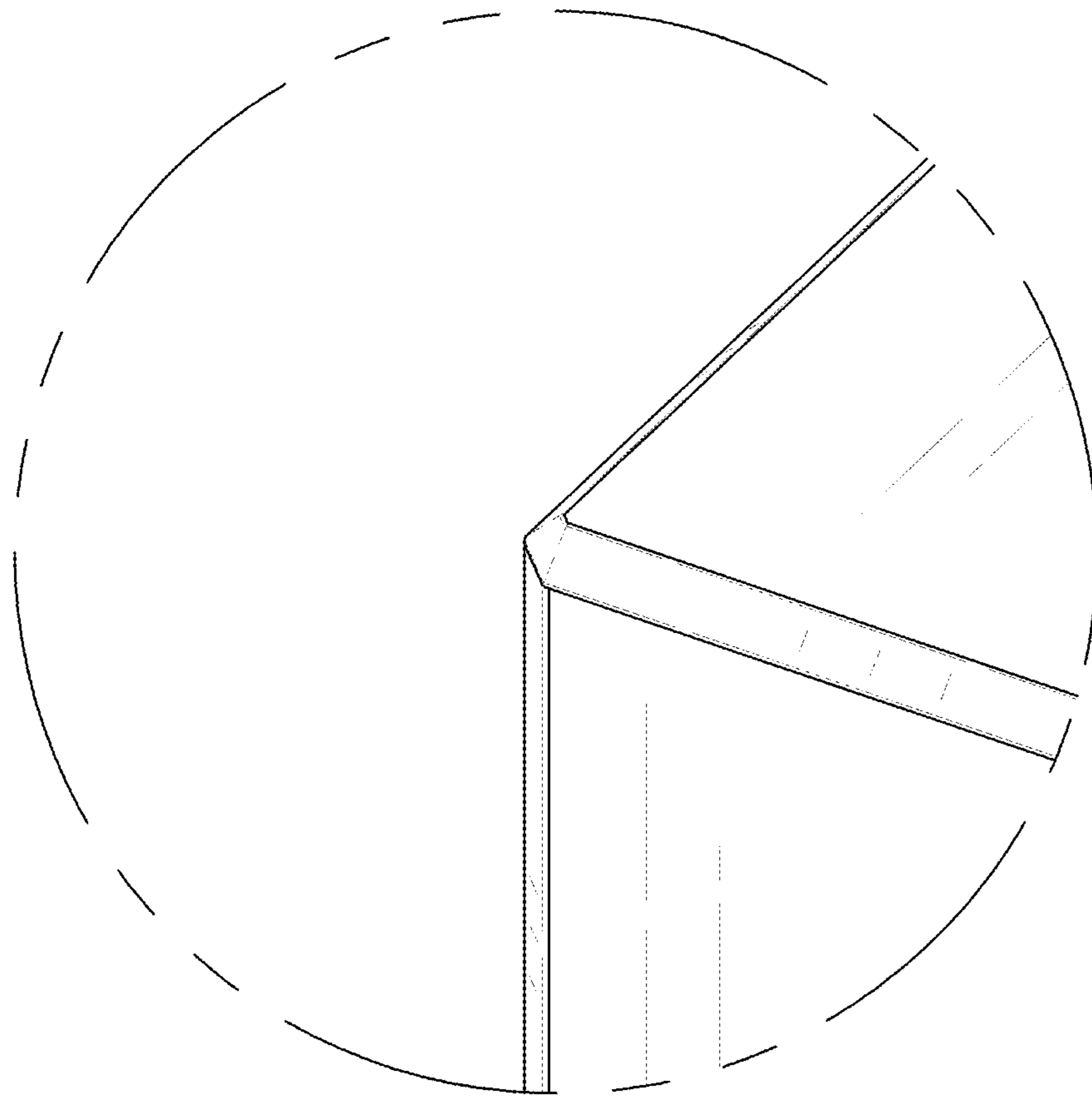


FIG. 9

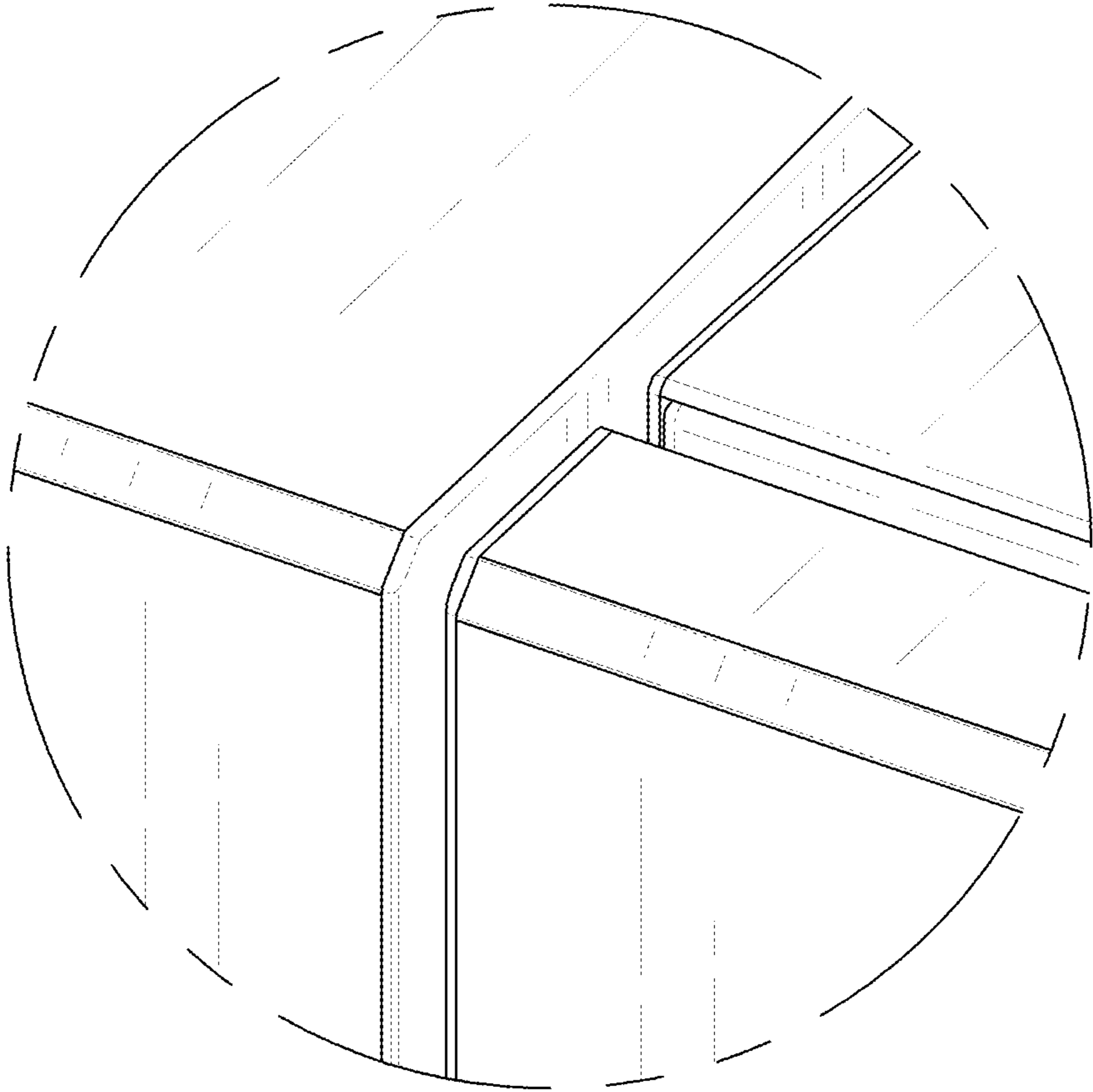


FIG. 10

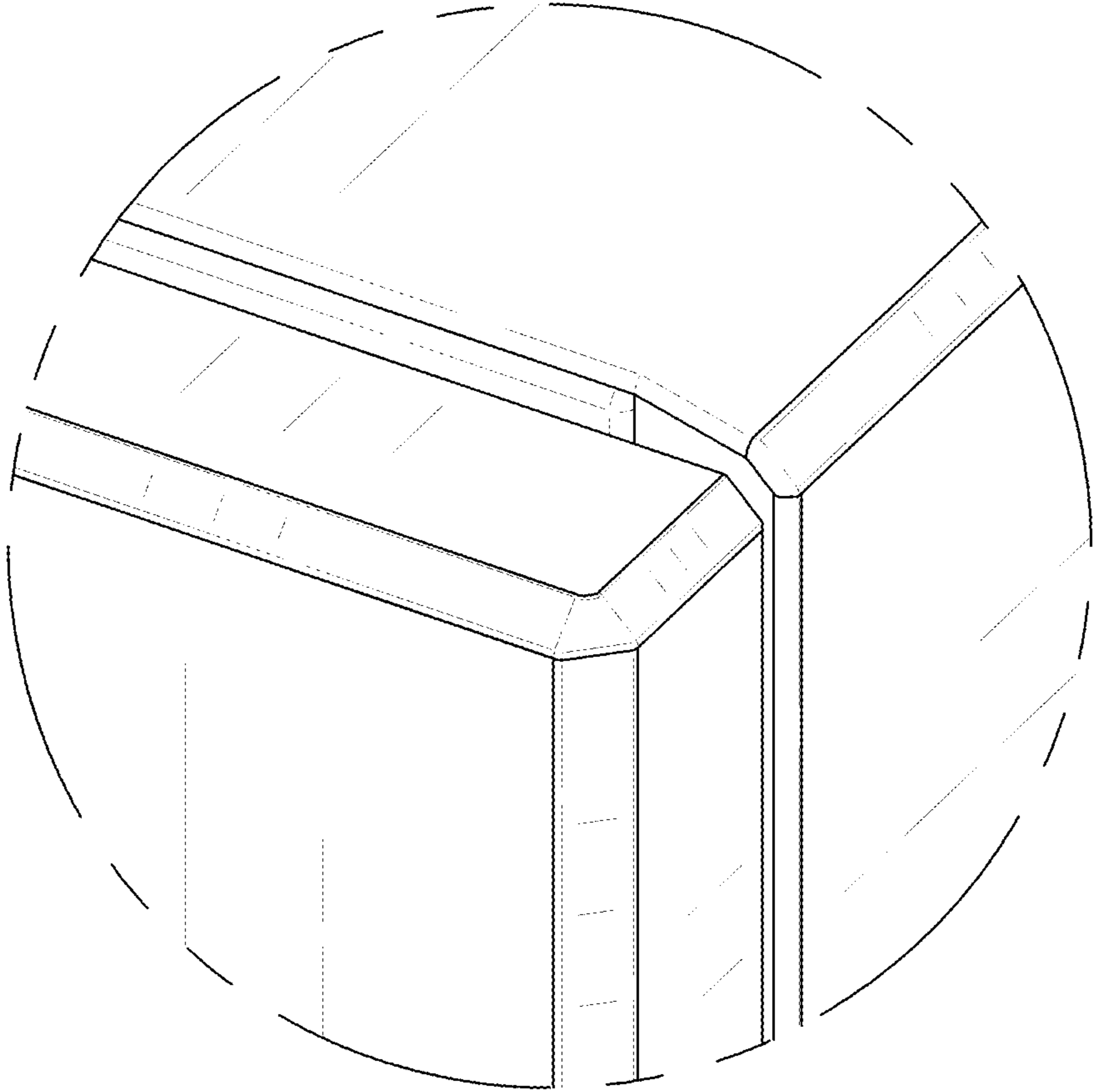


FIG. 11

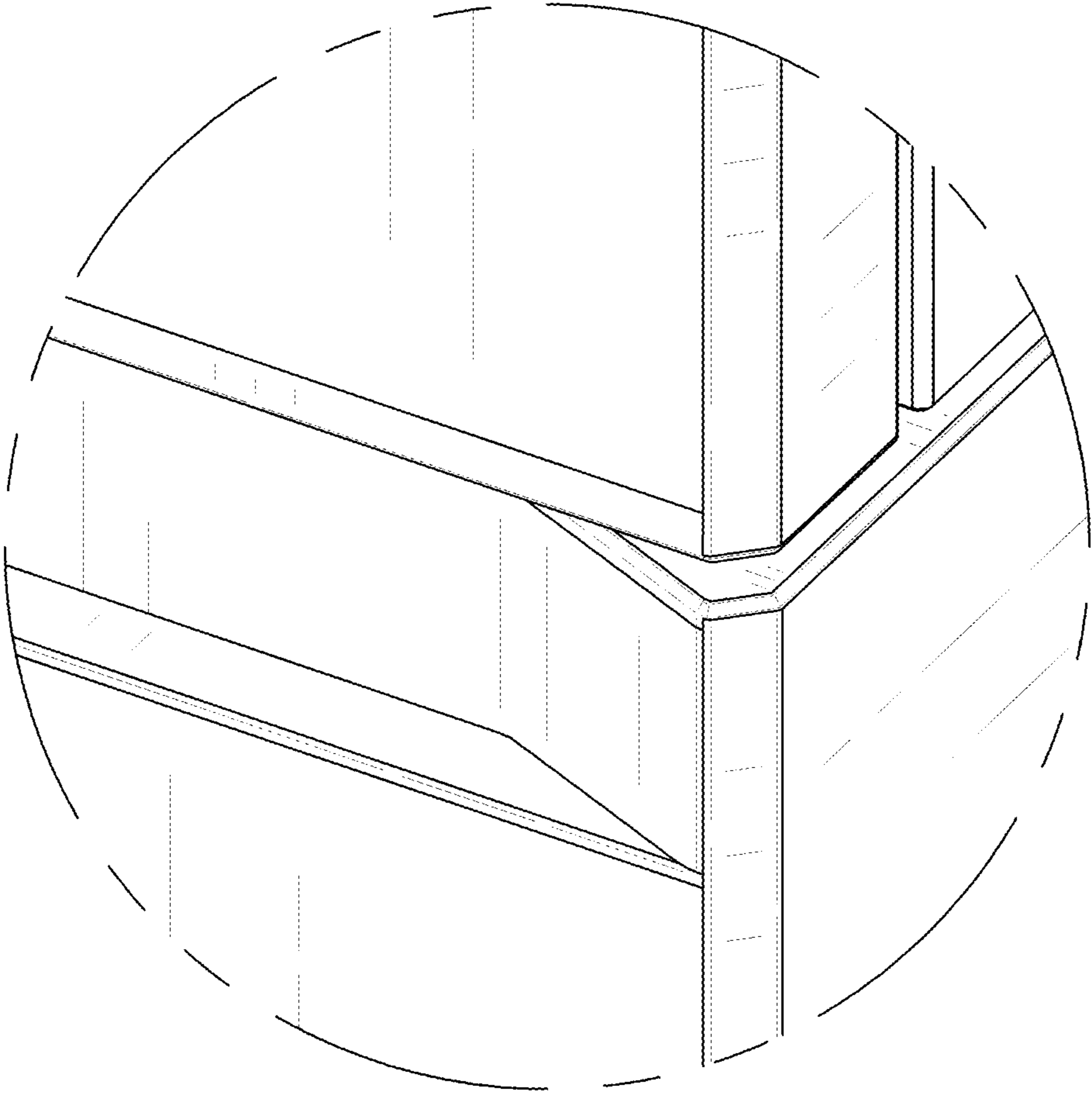


FIG. 12

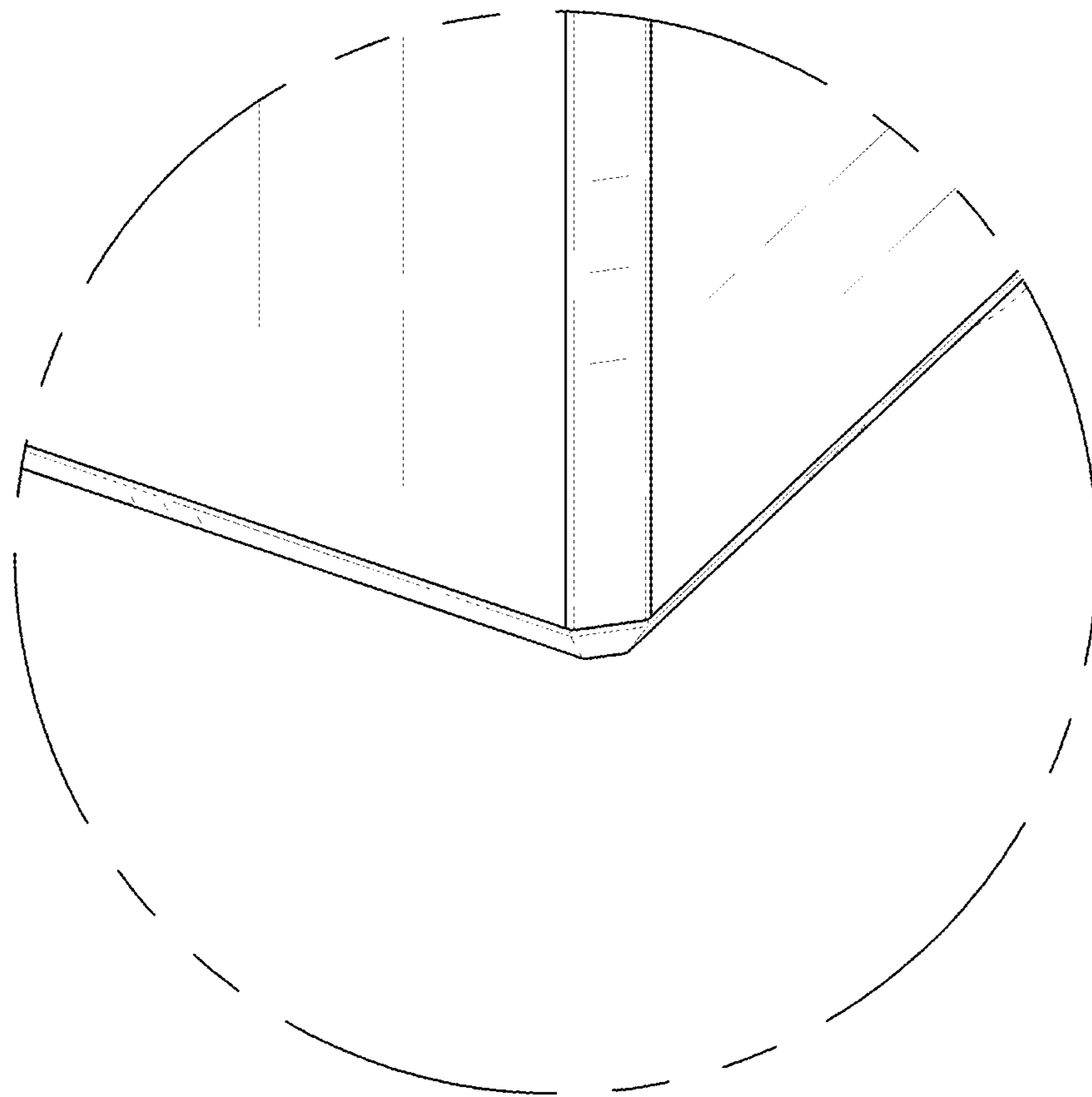


FIG. 13

