



US00D951305S

(12) **United States Design Patent** (10) **Patent No.:** **US D951,305 S**
Kang et al. (45) **Date of Patent:** **** *May 10, 2022**

(54) **ICE MAKER FOR REFRIGERATOR**

(71) Applicant: **LG ELECTRONICS INC.**, Seoul (KR)

(72) Inventors: **Sookyung Kang**, Seoul (KR); **Kyukwan Choi**, Seoul (KR); **Sanghun Kim**, Seoul (KR)

(73) Assignee: **LG ELECTRONICS INC.**, Seoul (KR)

(*) Notice: This patent is subject to a terminal disclaimer.

(**) Term: **15 Years**

(21) Appl. No.: **29/741,543**

(22) Filed: **Jul. 14, 2020**

(30) **Foreign Application Priority Data**

Jan. 17, 2020 (KR) 30-2020-0002428

(51) **LOC (13) Cl.** **15-07**

(52) **U.S. Cl.**
USPC **D15/80; D15/89; D15/90**

(58) **Field of Classification Search**
USPC D15/79, 80, 81, 85, 90, 91, 89
CPC F25C 1/04; F25C 1/10; F25C 1/24; F25C 5/00; F25C 5/20; F25D 17/06
See application file for complete search history.

(56) **References Cited**

U.S. PATENT DOCUMENTS

- 3,021,695 A * 2/1962 Voigtmann F25C 1/243
249/127
- 3,545,717 A * 12/1970 Pietrzak F25C 1/24
249/69
- 3,596,477 A * 8/1971 Harley F25C 1/04
62/353
- D307,280 S * 4/1990 Waller D15/90
- D324,869 S * 3/1992 Carper D15/90

- D692,933 S * 11/2013 Sorensen D15/90
- 2010/0218519 A1 * 9/2010 Hall F25B 41/31
62/73
- 2013/0291581 A1 * 11/2013 Cox F25C 5/06
62/340
- 2013/0291582 A1 * 11/2013 Cox F25C 1/24
62/340
- 2018/0100681 A1 * 4/2018 Laible F25D 23/126
- 2018/0313593 A1 * 11/2018 Olvera F25D 17/065

(Continued)

OTHER PUBLICATIONS

Samsung, RA-TIMO63PP Quick-Connect Auto Ice Maker Kit, (first available on Apr. 6, 2017), Amazon.com, URL<<https://www.amazon.com/Samsung-Quick-Connect-Auto-Ice-Maker/dp/B06Y2ZM9T6>> (Year: 2017).*

Primary Examiner — Calvin E Vansant
Assistant Examiner — Mark T. Philipps
(74) *Attorney, Agent, or Firm* — Birch, Stewart, Kolasch & Birch, LLP

(57) **CLAIM**

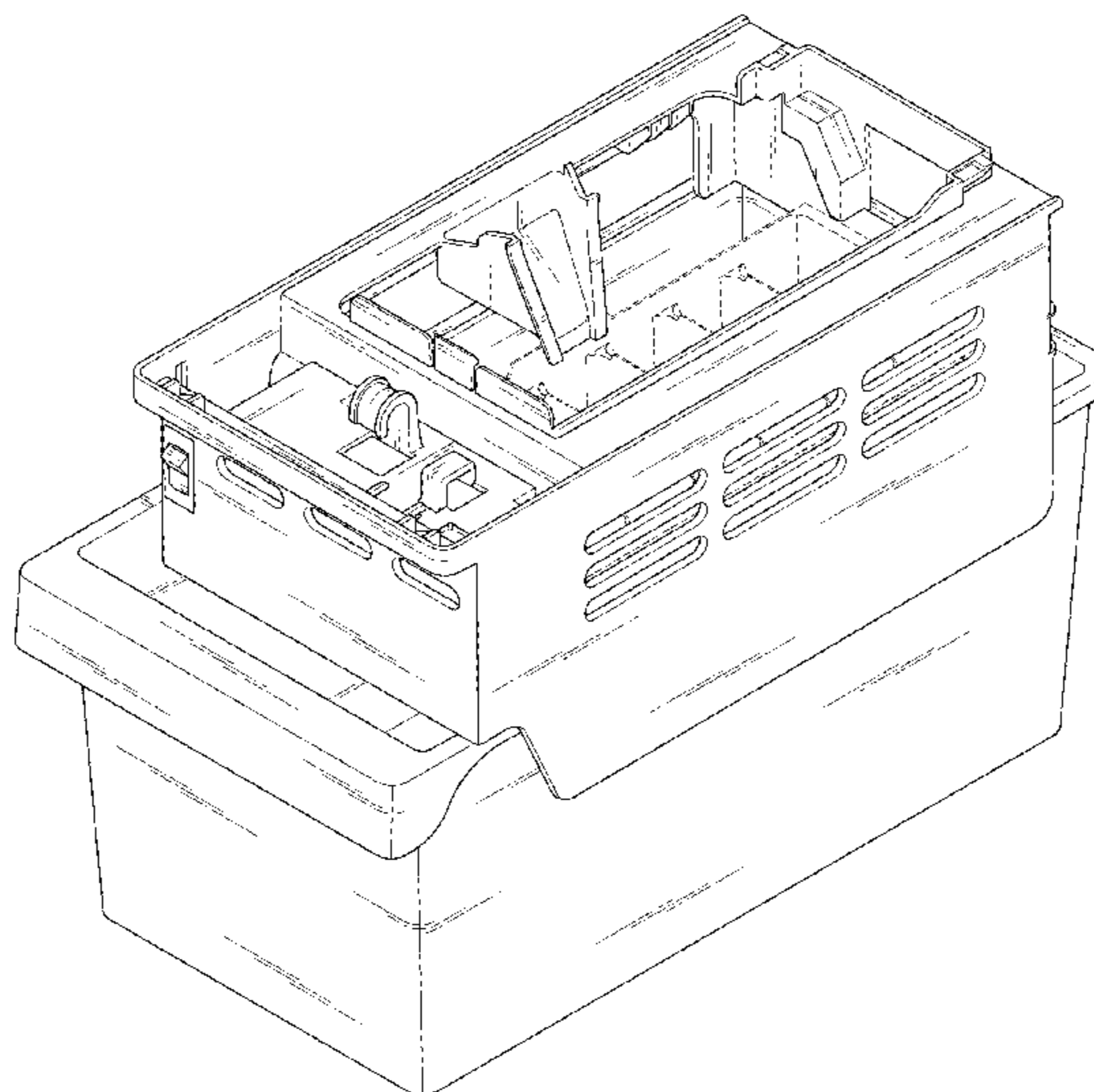
We claim the ornamental design for an ice maker for refrigerator, as shown and described.

DESCRIPTION

FIG. 1 is a perspective view of an ice maker for refrigerator showing the new design;
FIG. 2 is a front elevation view thereof;
FIG. 3 is a rear elevation view thereof;
FIG. 4 is a left-side elevation view thereof;
FIG. 5 is a right-side elevation view thereof;
FIG. 6 is a top plan view thereof;
FIG. 7 is a bottom plan view thereof; and,
FIG. 8 is another perspective view showing a state of use thereof.

The parts shown by means of broken lines in the drawing figures represent portions of the ice maker for refrigerator and form no part of the claimed design.

1 Claim, 8 Drawing Sheets



(56)

References Cited

U.S. PATENT DOCUMENTS

2019/0011161	A1*	1/2019	Bertolini	F25C 1/04
2019/0195543	A1*	6/2019	Shi	F25C 1/04
2020/0124331	A1*	4/2020	Harata	F25C 1/25
2020/0158399	A1*	5/2020	Kim	F25D 11/02
2021/0207865	A1*	7/2021	Sigl	F25C 5/046
2021/0318054	A1*	10/2021	Olvera	F25C 5/22

* cited by examiner

FIG. 1

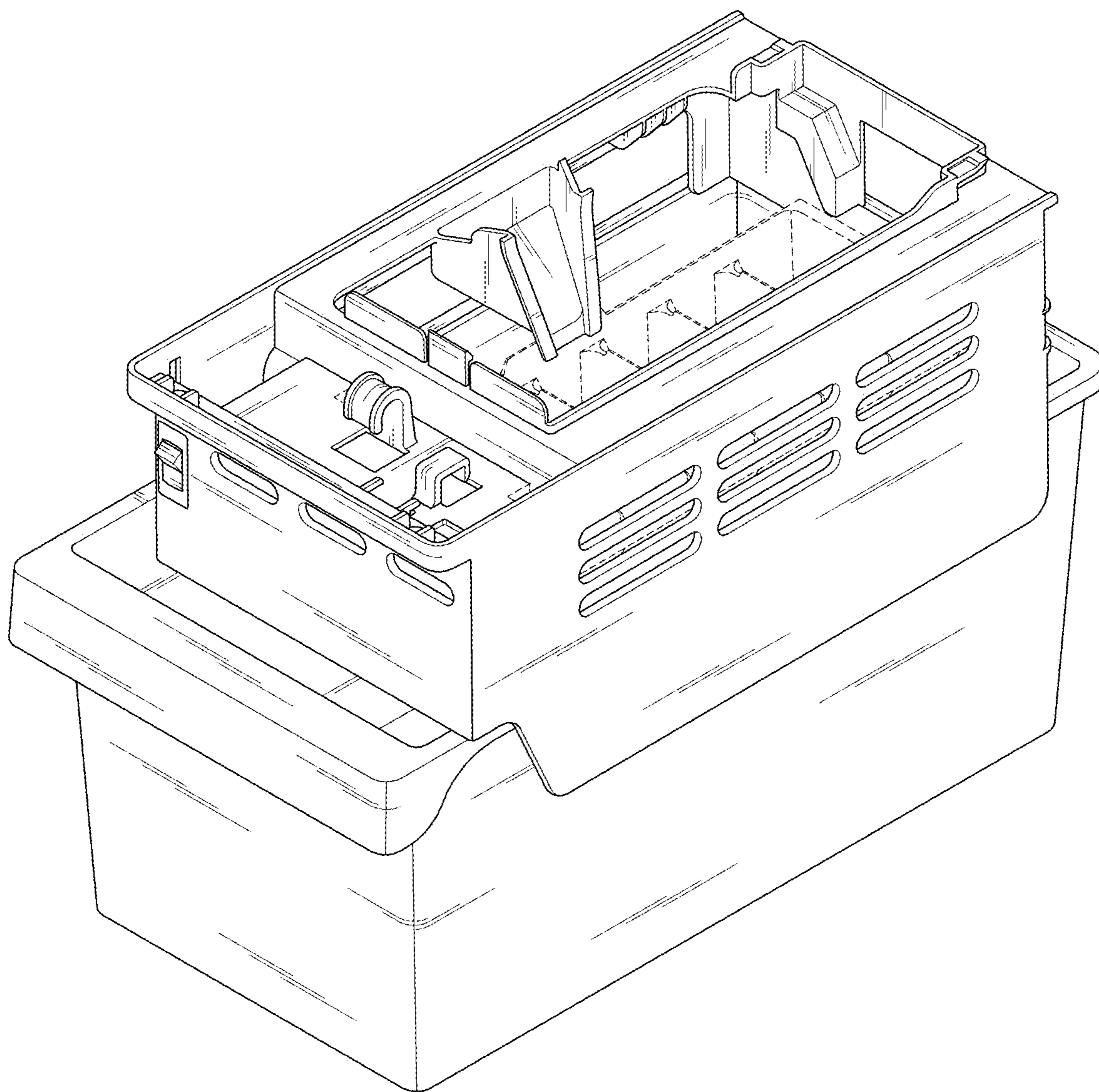


FIG. 2

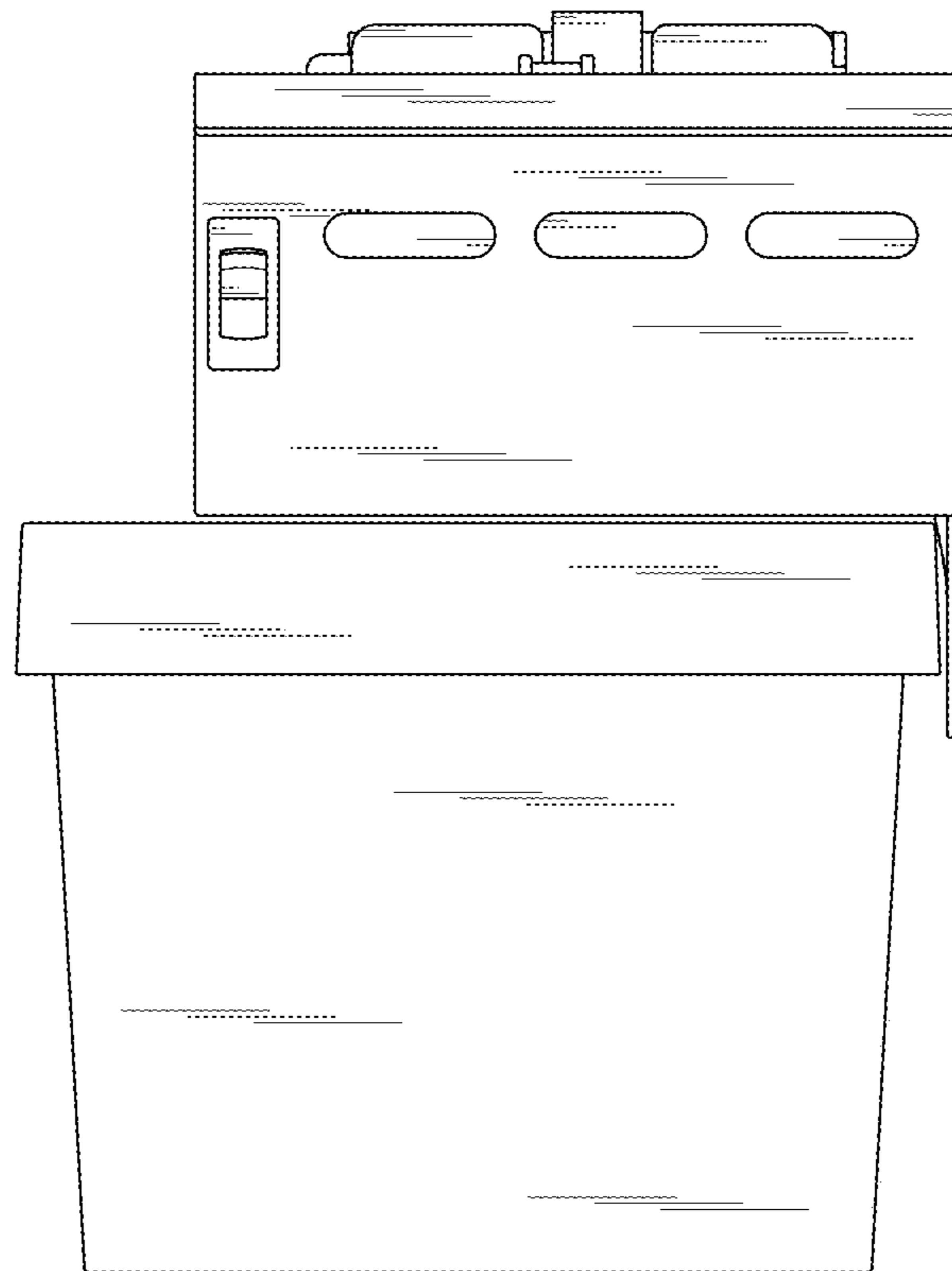


FIG. 3

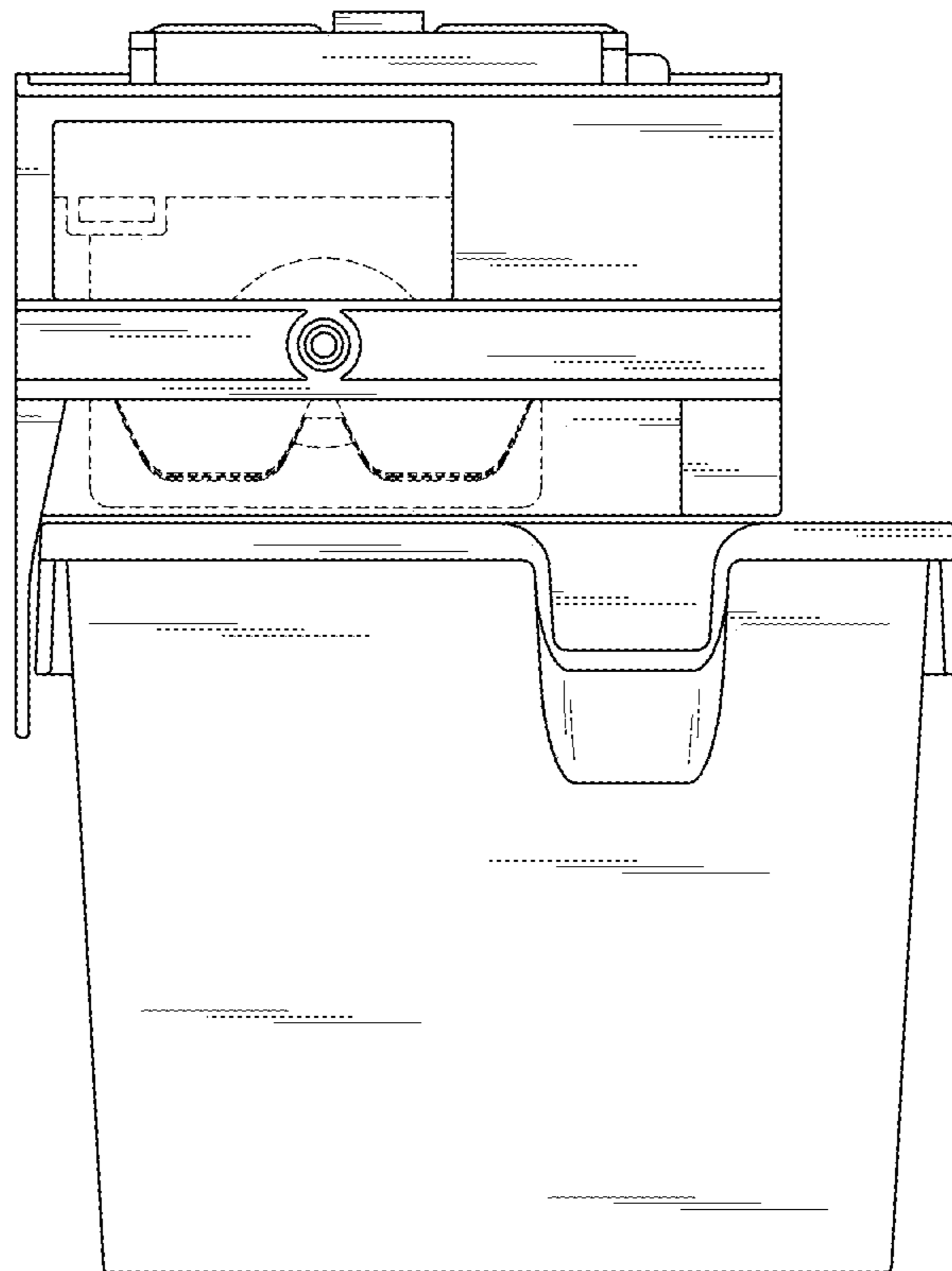


FIG. 4

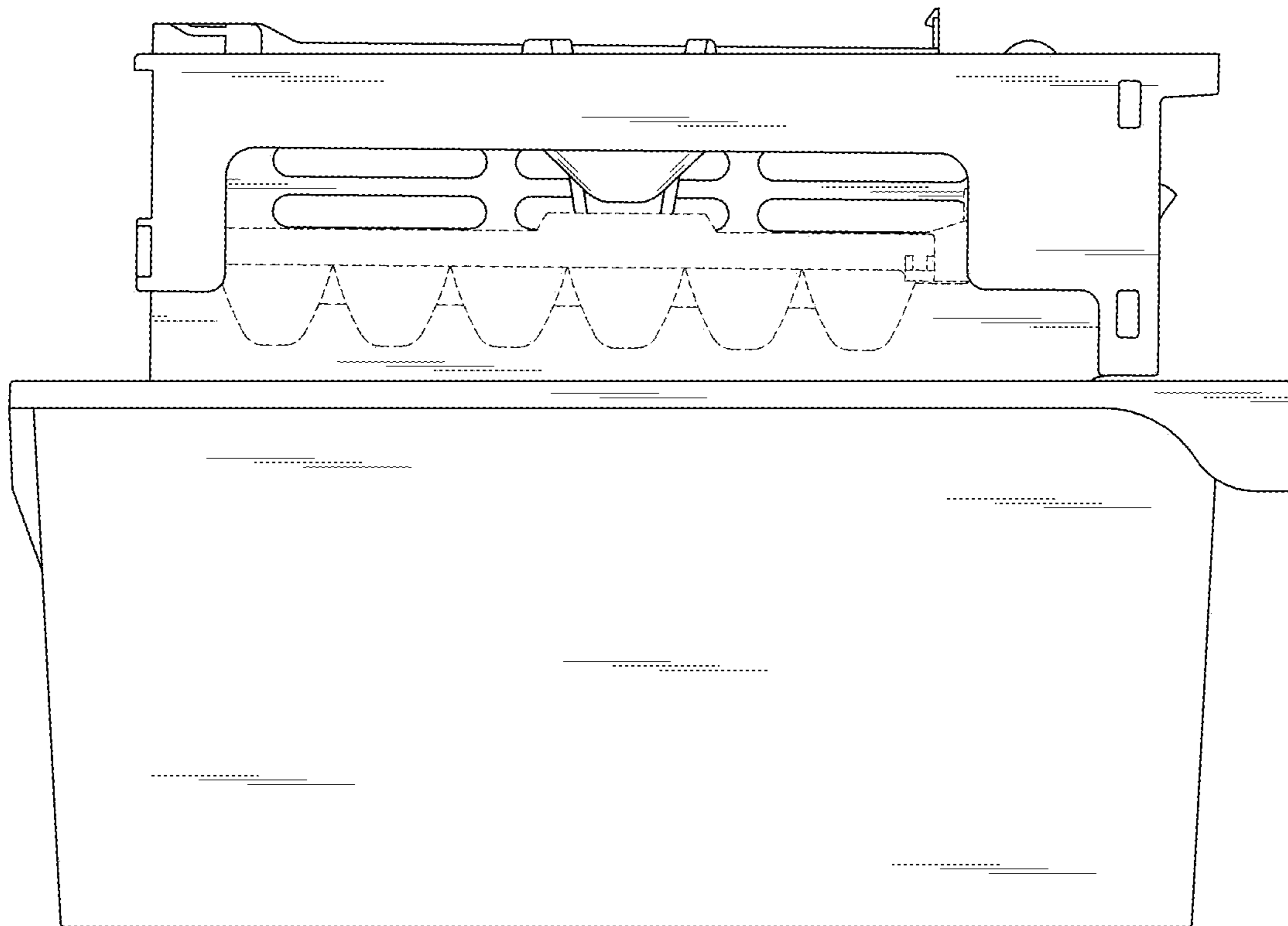


FIG. 5

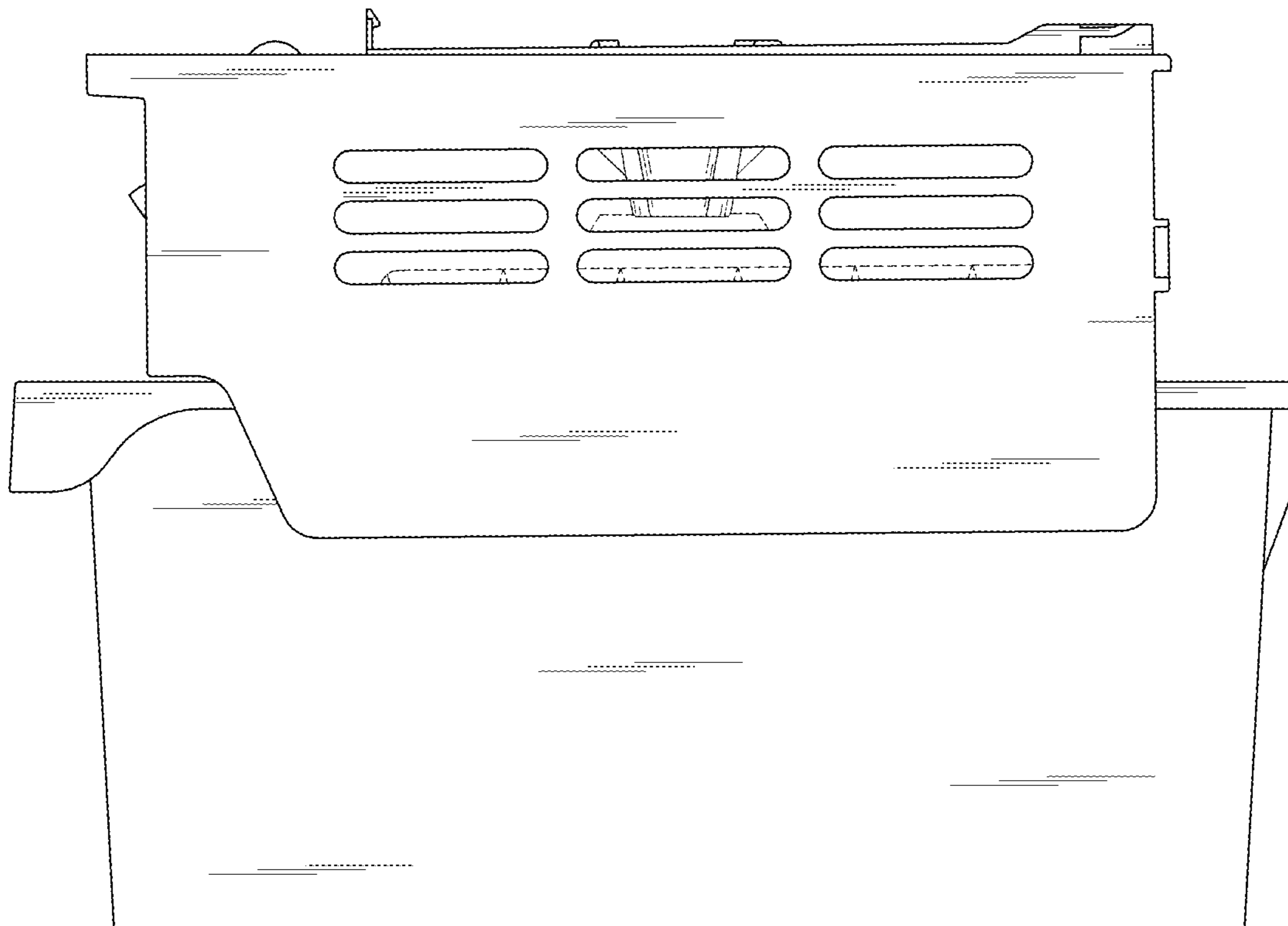


FIG. 6

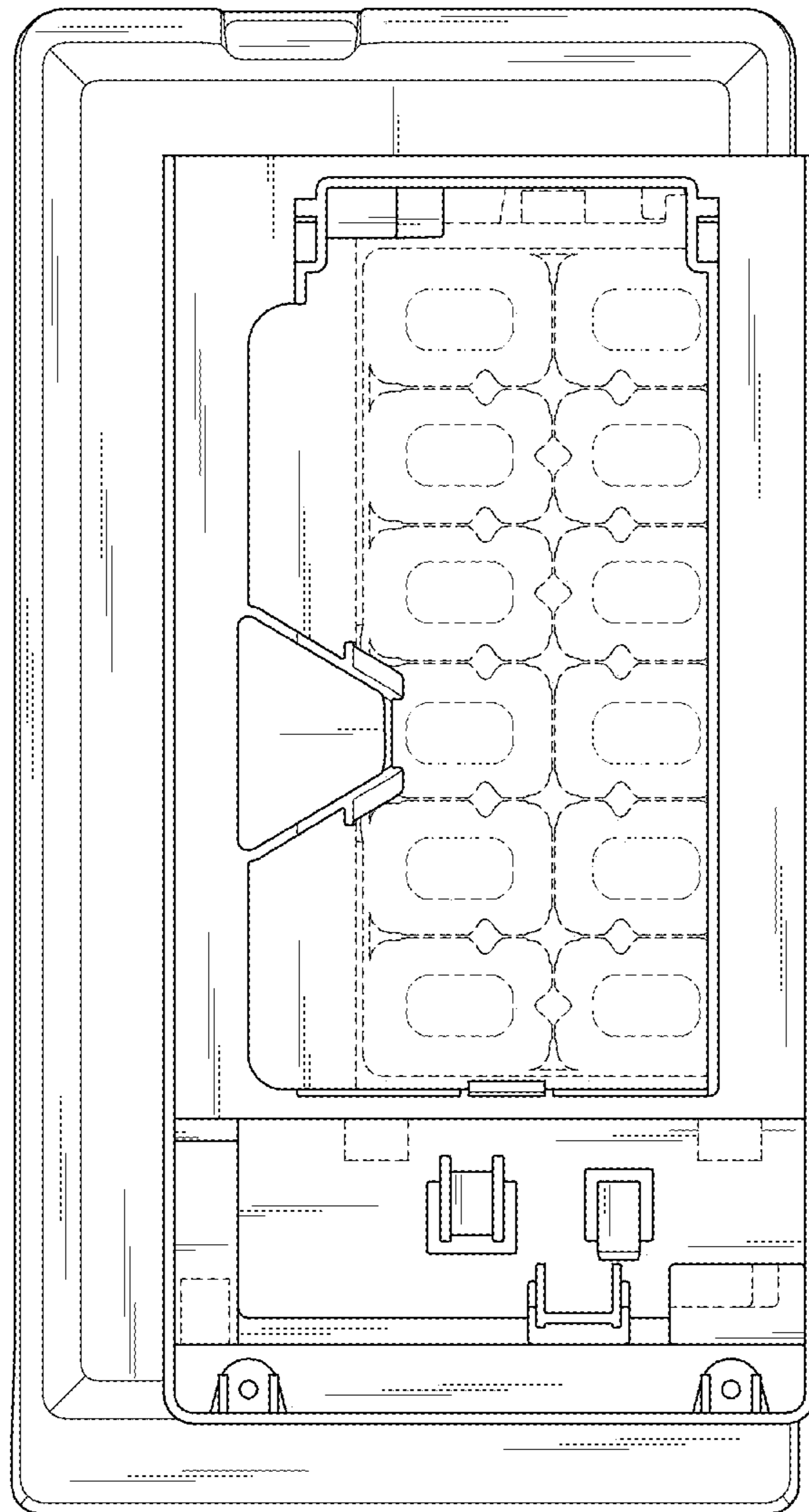


FIG. 7

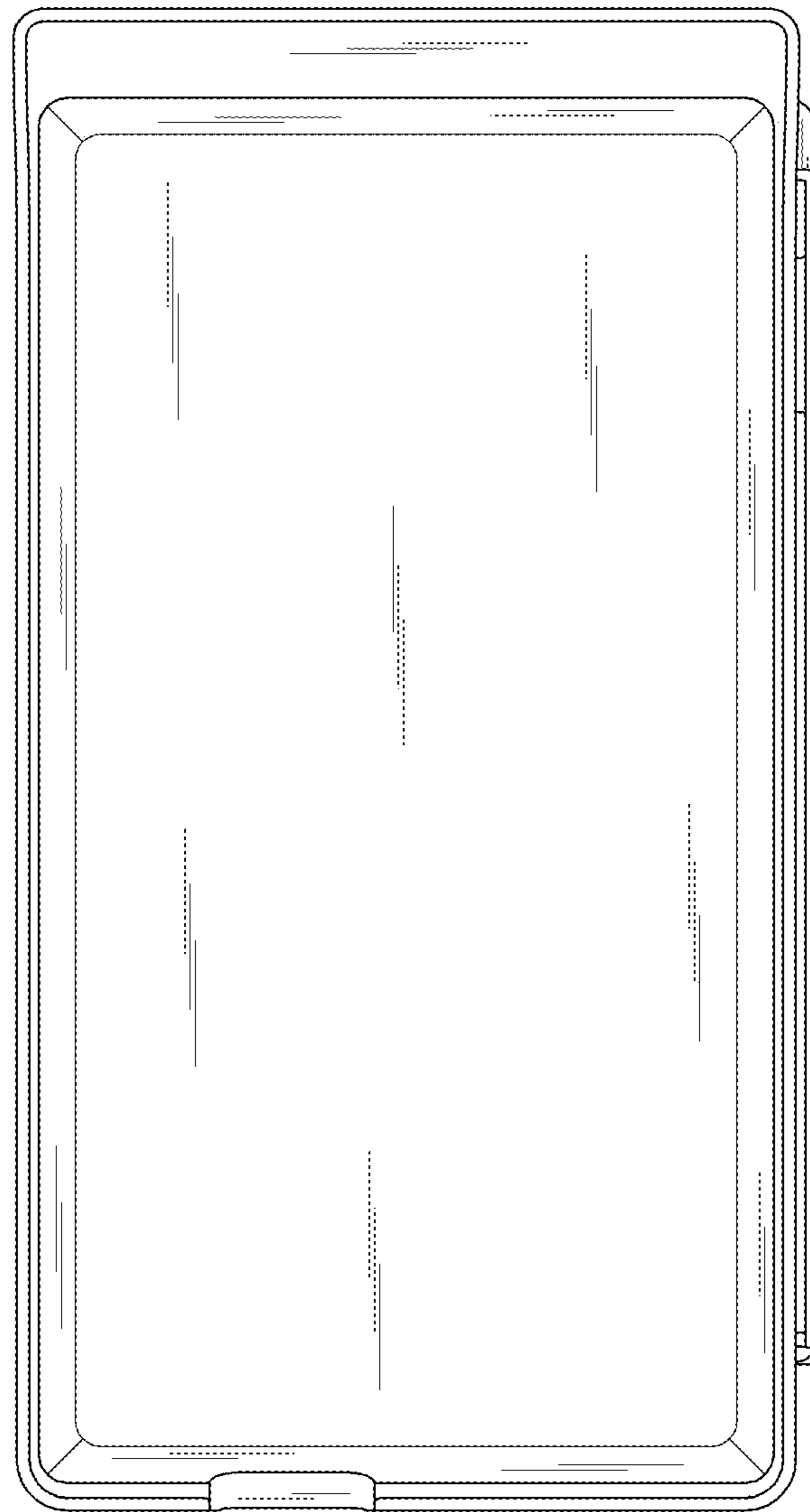


FIG. 8

