



US00D951303S

(12) **United States Design Patent**  
**Liu et al.**

(10) **Patent No.:** **US D951,303 S**

(45) **Date of Patent:** **\*\* May 10, 2022**

(54) **CANOPY FOR WORK PLATFORM**

(71) Applicant: **Hunan Sinoboom Intelligent Equipment Co., Ltd., Changsha (CN)**

(72) Inventors: **Guoliang Liu, Changsha (CN); Xi Song, Changsha (CN)**

(73) Assignee: **Hunan Sinoboom Intelligent Equipment Co., Ltd., Changsha (CN)**

(\*\*) Term: **15 Years**

(21) Appl. No.: **29/765,666**

(22) Filed: **Jan. 11, 2021**

(30) **Foreign Application Priority Data**

Nov. 5, 2020 (CN) ..... 202030666874.7

(51) **LOC (13) Cl.** ..... **15-03**

(52) **U.S. Cl.**  
USPC ..... **D15/31**

(58) **Field of Classification Search**

USPC .... D15/10, 22-26, 28, 30, 31, 33; 180/89.1, 180/89.12, 89.13, 900, 9.1, 9.2, 9.62; 37/379; 414/694, 699, 722-724, 660, 414/685, 698, 719, 743

CPC .. E02F 9/0866; E02F 9/18; E02F 3/32; F01N 13/001; F01N 2590/08

See application file for complete search history.

(56) **References Cited**

**U.S. PATENT DOCUMENTS**

D487,100 S \* 2/2004 Tokach ..... D15/30  
D823,350 S \* 7/2018 Jilbert ..... D15/30

D823,351 S \* 7/2018 Jilbert ..... D15/30  
D823,352 S \* 7/2018 Jilbert ..... D15/30  
D823,353 S \* 7/2018 Jilbert ..... D15/30  
D823,354 S \* 7/2018 Jilbert ..... D15/30  
D823,355 S \* 7/2018 Jilbert ..... D15/30  
D823,904 S \* 7/2018 Jilbert ..... D15/30  
D824,431 S \* 7/2018 Jilbert ..... D15/30  
D846,003 S \* 4/2019 Jilbert ..... D15/31  
D846,004 S \* 4/2019 Jilbert ..... D15/31  
D858,585 S \* 9/2019 Jilbert ..... D15/31  
D858,586 S \* 9/2019 Jilbert ..... D15/31

\* cited by examiner

*Primary Examiner* — Mark A Goodwin

(74) *Attorney, Agent, or Firm* — Dicke, Billig & Czaja, PLLC

(57) **CLAIM**

The ornamental design for a canopy for work platform, as shown and described.

**DESCRIPTION**

FIG. 1 is a perspective view of a canopy for work platform of the present disclosure;

FIG. 2 is a rear perspective view thereof;

FIG. 3 is a front elevational view thereof;

FIG. 4 is a rear elevational view thereof;

FIG. 5 is a left-side elevational view thereof;

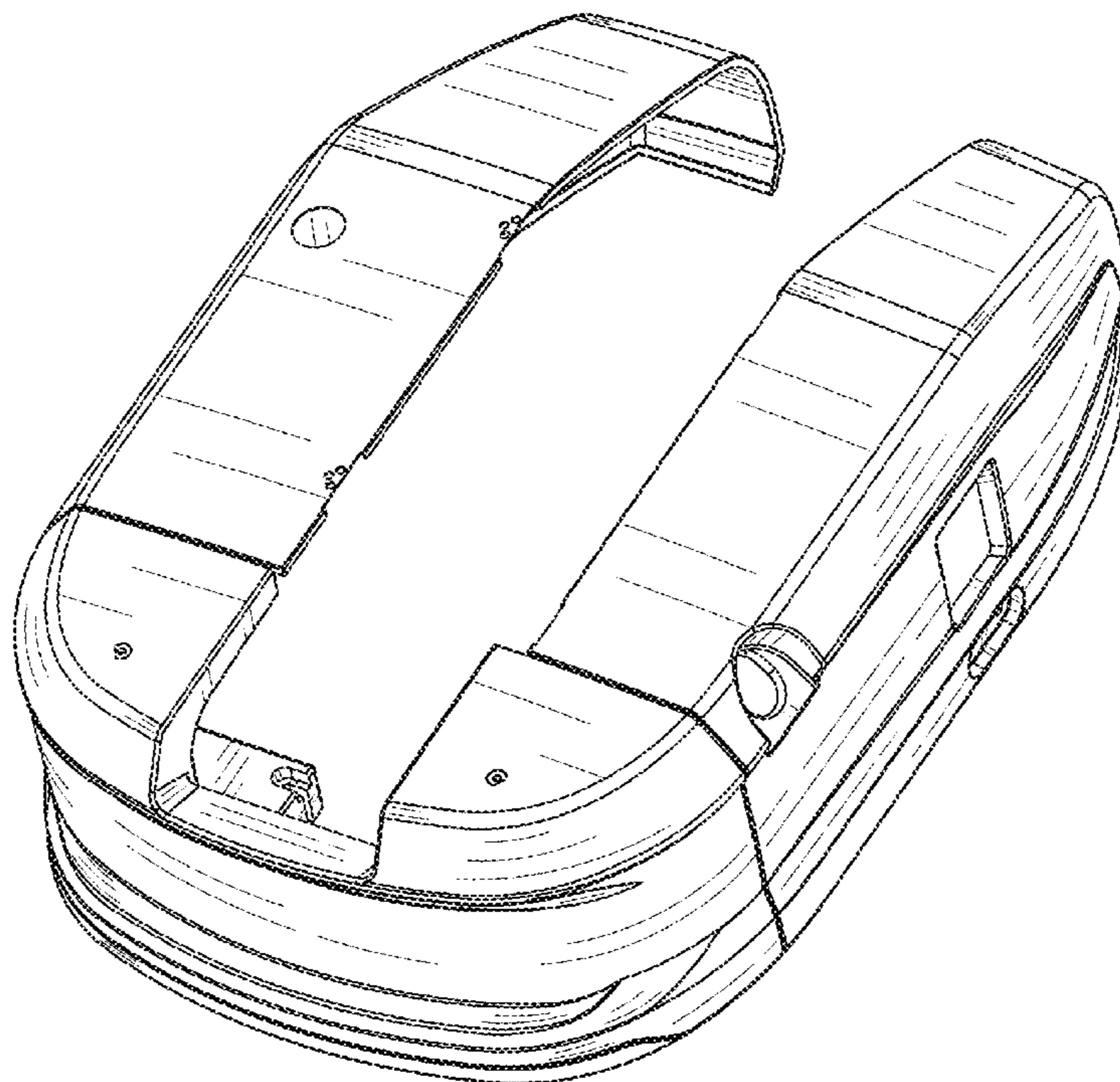
FIG. 6 is a right-side elevational view thereof;

FIG. 7 is a top plan view thereof; and,

FIG. 8 is a bottom plan view thereof.

The broken lines shown in the drawings are for the purpose of illustrating portions of the canopy for work platform that form no part of the claimed design.

**1 Claim, 8 Drawing Sheets**



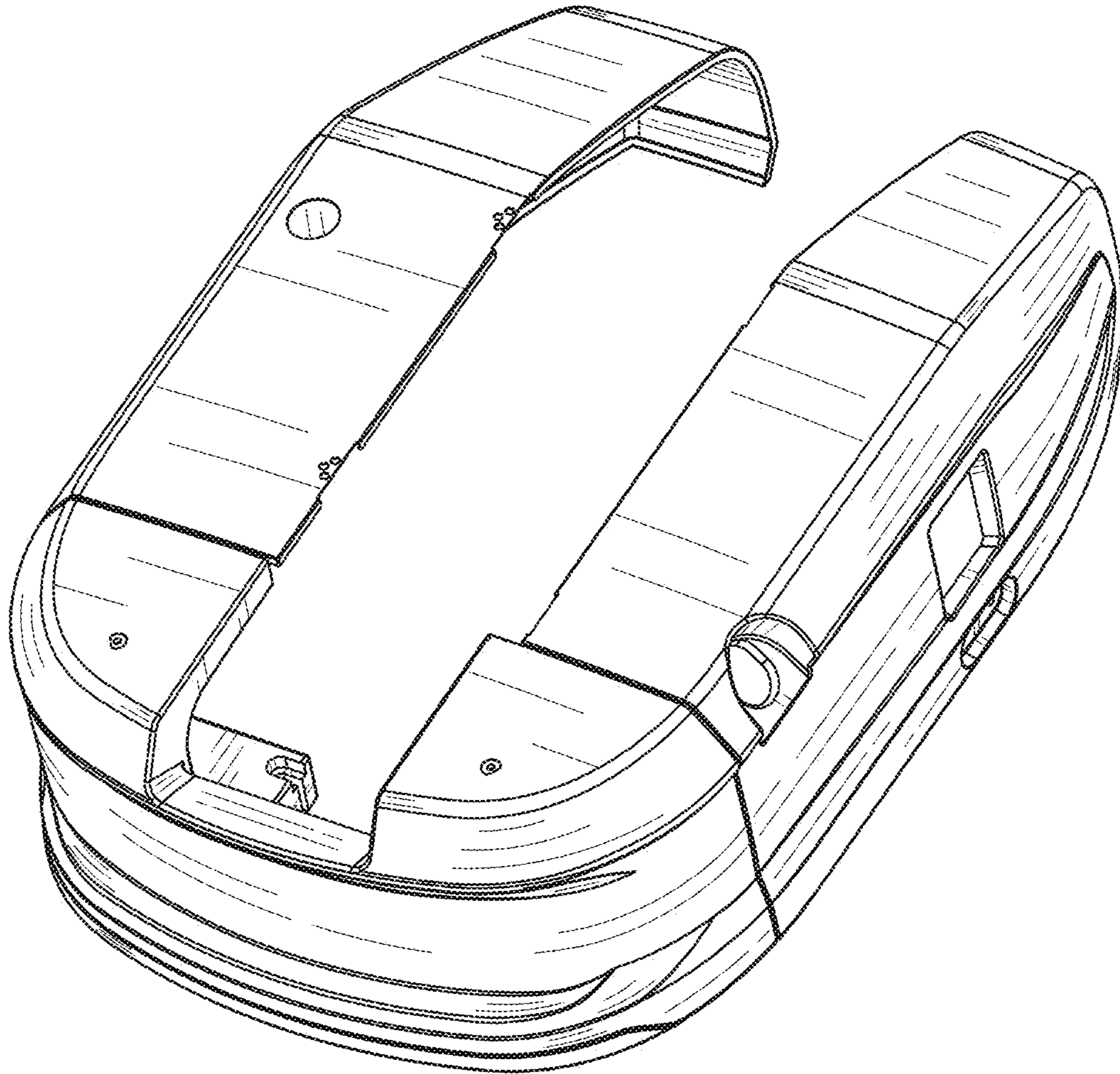


FIG. 1

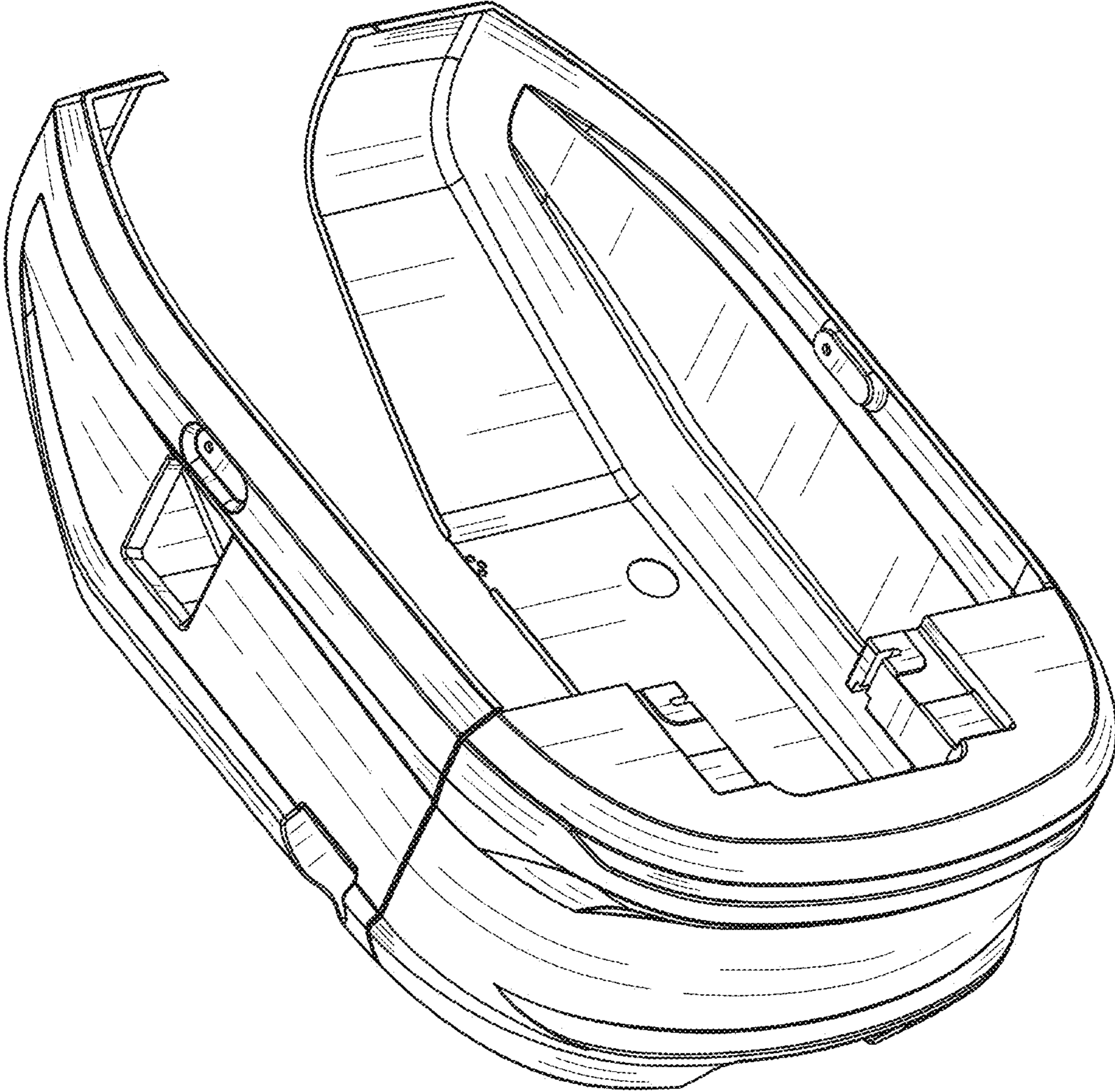


FIG. 2

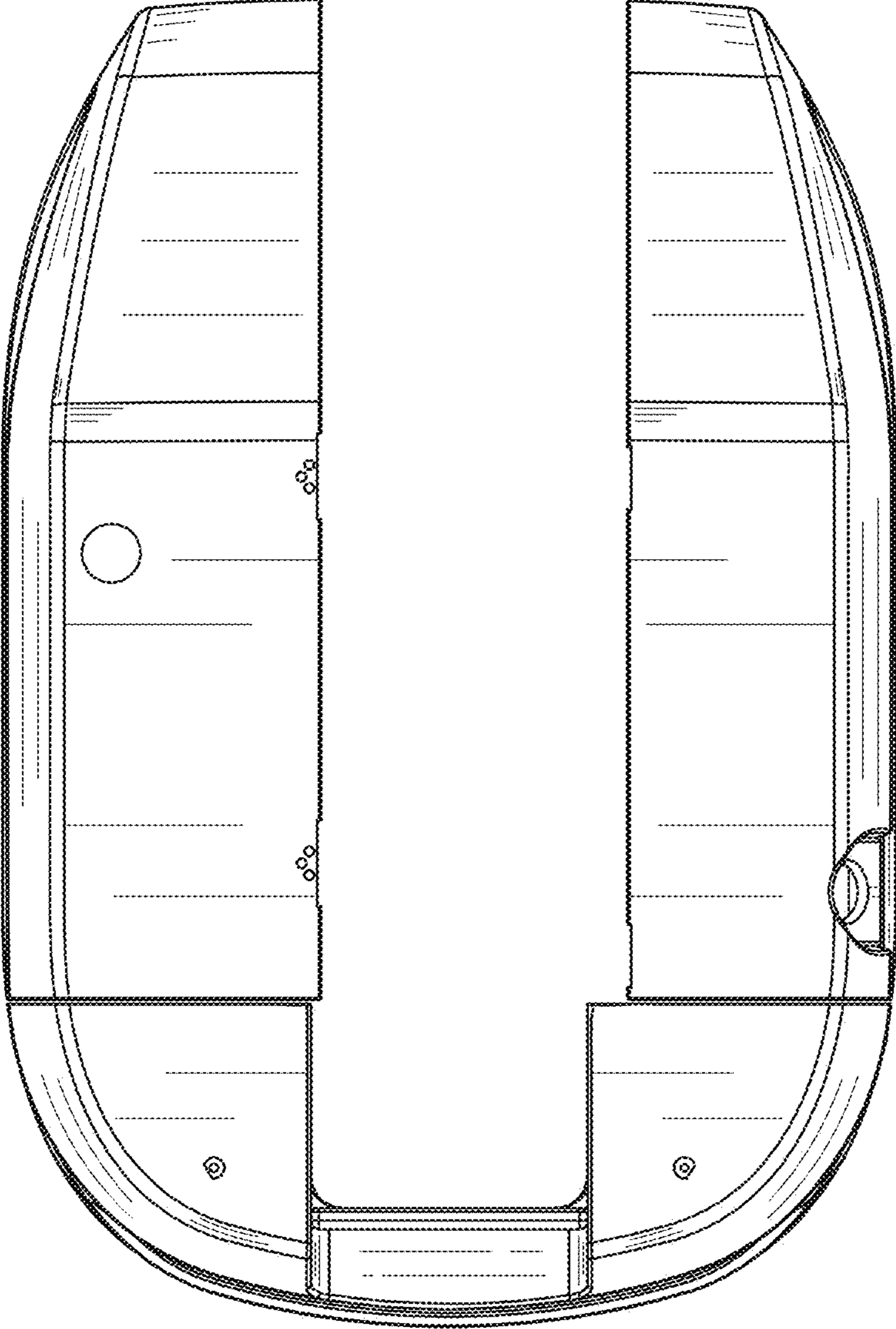


FIG. 3

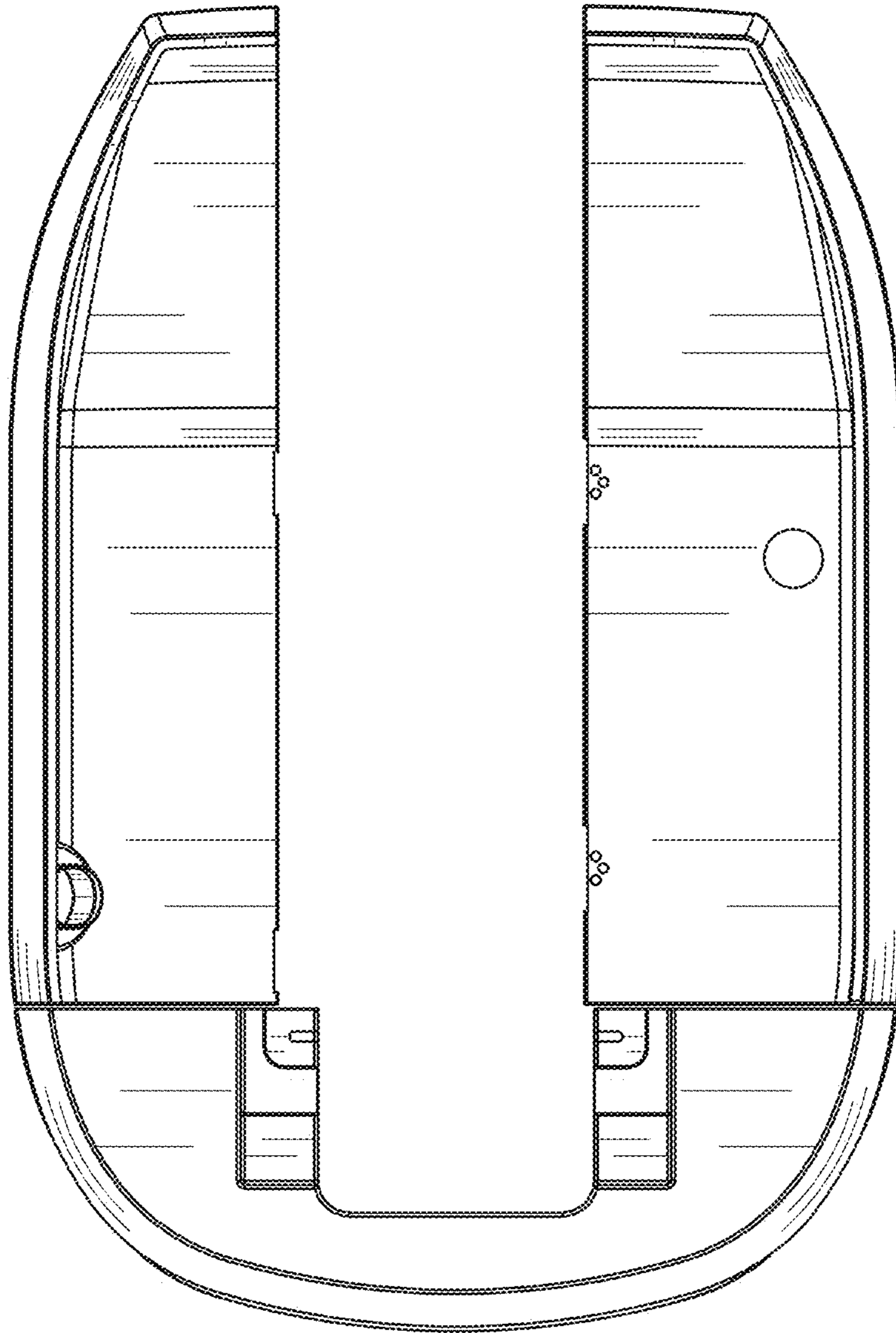


FIG. 4

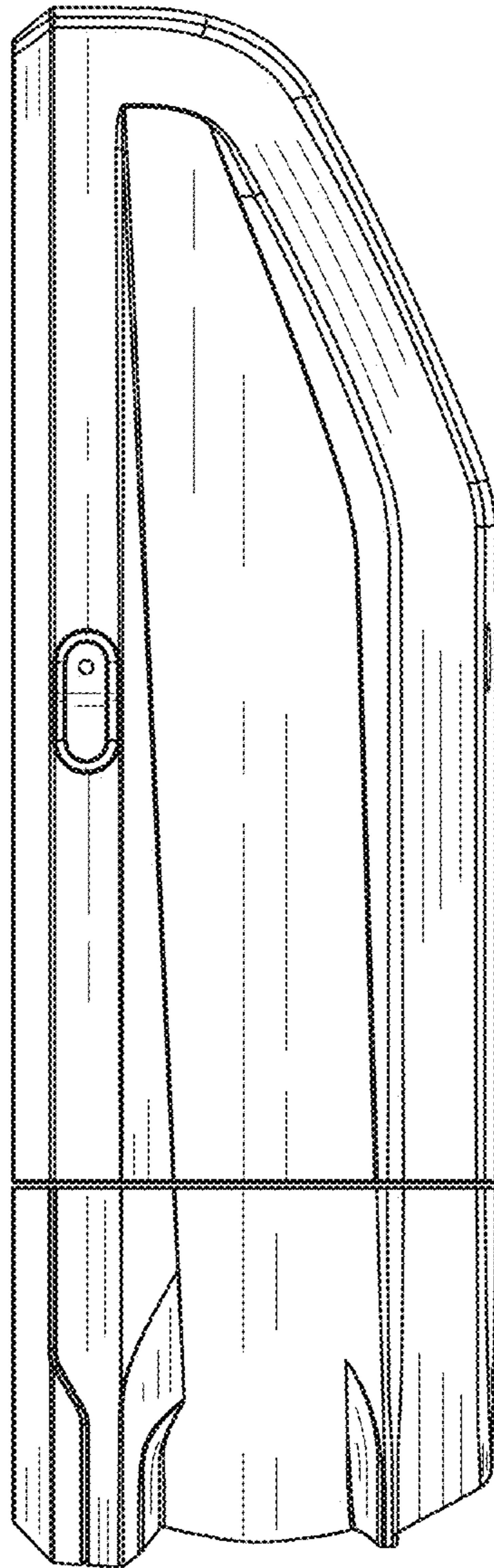


FIG. 5

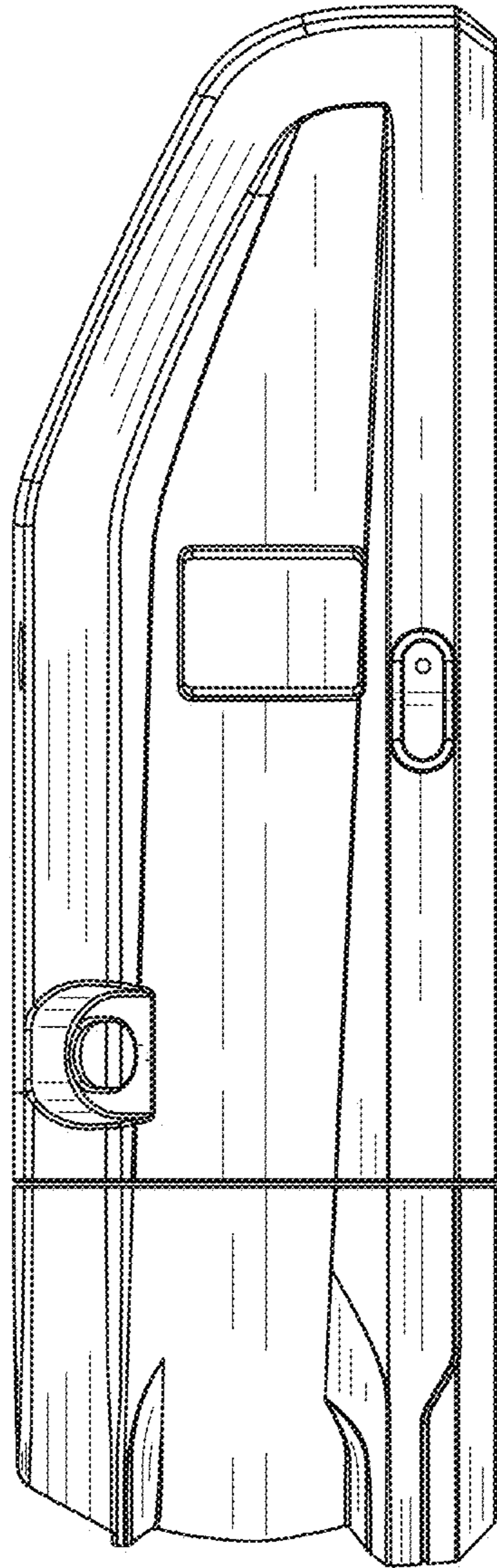


FIG. 6

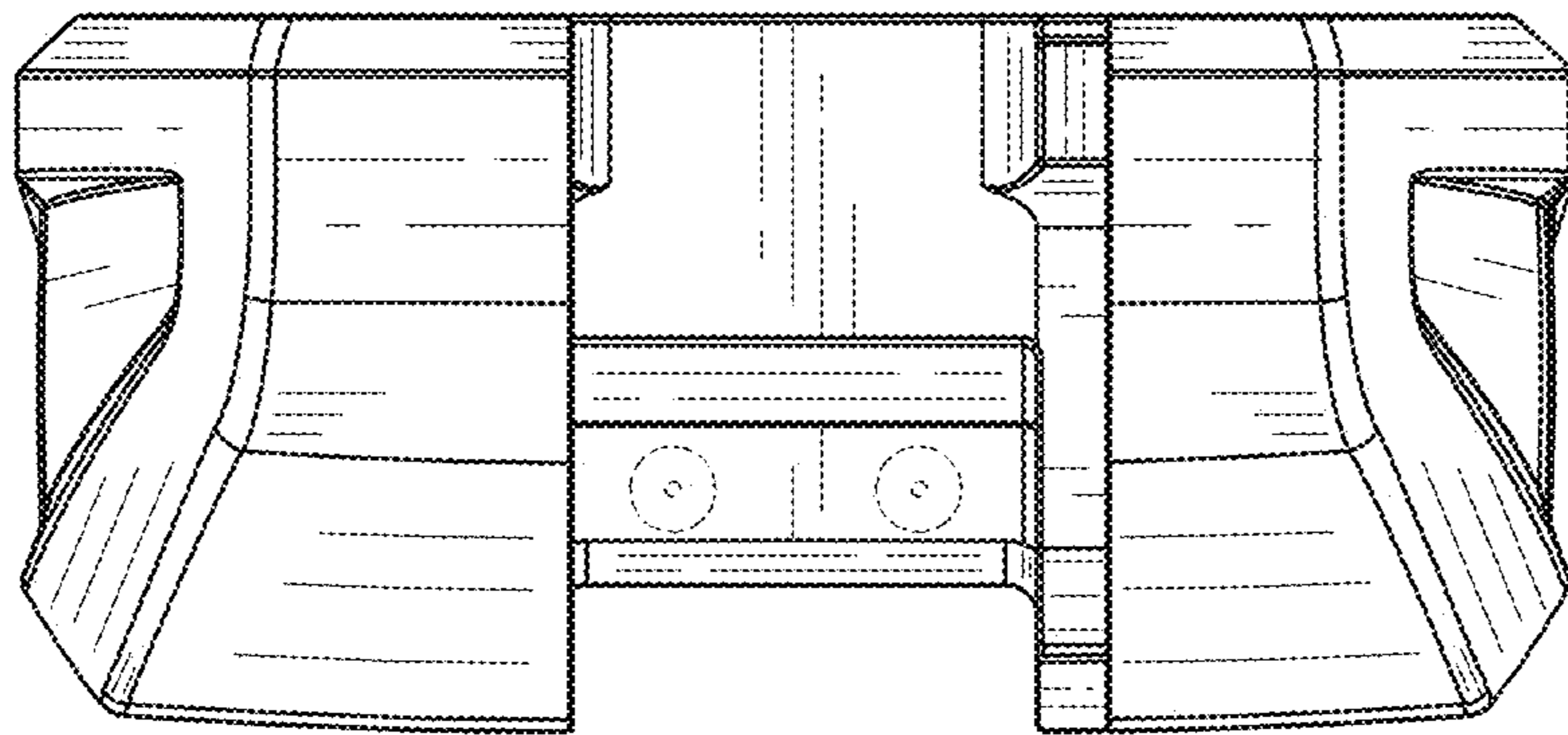


FIG. 7



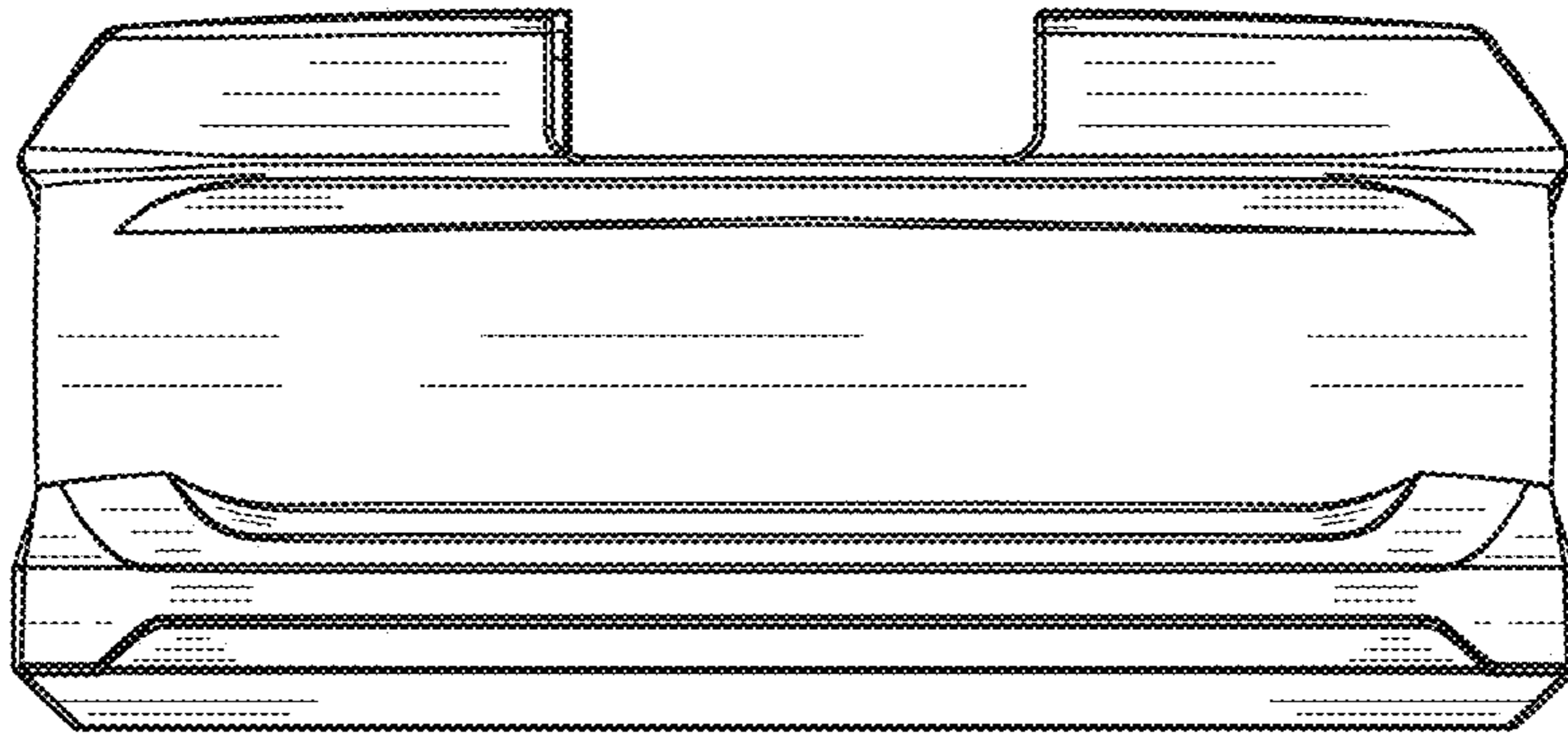


FIG. 8