



US00D951302S

(12) **United States Design Patent** (10) **Patent No.:** **US D951,302 S**
Van Stell (45) **Date of Patent:** **** May 10, 2022**

(54) **ENCLOSED PUMP DRIVE**
(71) Applicant: **Masterflex, LLC**, Radnor, PA (US)
(72) Inventor: **James Van Stell**, Schaumburg, IL (US)
(73) Assignee: **Masterflex, LLC**, Radnor, PA (US)
(**) Term: **15 Years**

D933,202 S * 10/2021 Vail D24/111
2015/0283350 A1* 10/2015 Miller A61M 16/0816
128/204.17
2016/0185473 A1* 6/2016 Zucchini F04B 25/00
417/53

(21) Appl. No.: **29/756,090**
(22) Filed: **Oct. 26, 2020**
(51) **LOC (13) Cl.** **15-02**
(52) **U.S. Cl.**
USPC **D15/7**
(58) **Field of Classification Search**
USPC D15/7, 9, 143, 148-149, 199; D23/225,
D23/231-233, 235; D24/108, 110, 111
CPC F15B 15/16; F15B 15/26; F15B 15/1414;
F15B 15/1919; F15B 15/14; F15B 15/00;
F15B 15/08; F15B 15/18; F15B 15/20;
F02M 37/04; F04D 29/4286
See application file for complete search history.

OTHER PUBLICATIONS

Ismatec, Reglo Digital Pump with Masterflex Live, (copyright 2021), Coleparmer.com website, URL:<<https://www.coleparmer.com/i/ismatec-reglo-miniflex-digital-pump-with-masterflexlive-single-channel-115-230-vac/7801840>> (Year: 2021).*

* cited by examiner

Primary Examiner — Calvin E Vansant
Assistant Examiner — Mark T. Philipps
(74) *Attorney, Agent, or Firm* — Faegre Drinker Biddle & Reath LLP

(57) **CLAIM**

The ornamental design for an enclosed pump drive, as shown and described.

DESCRIPTION

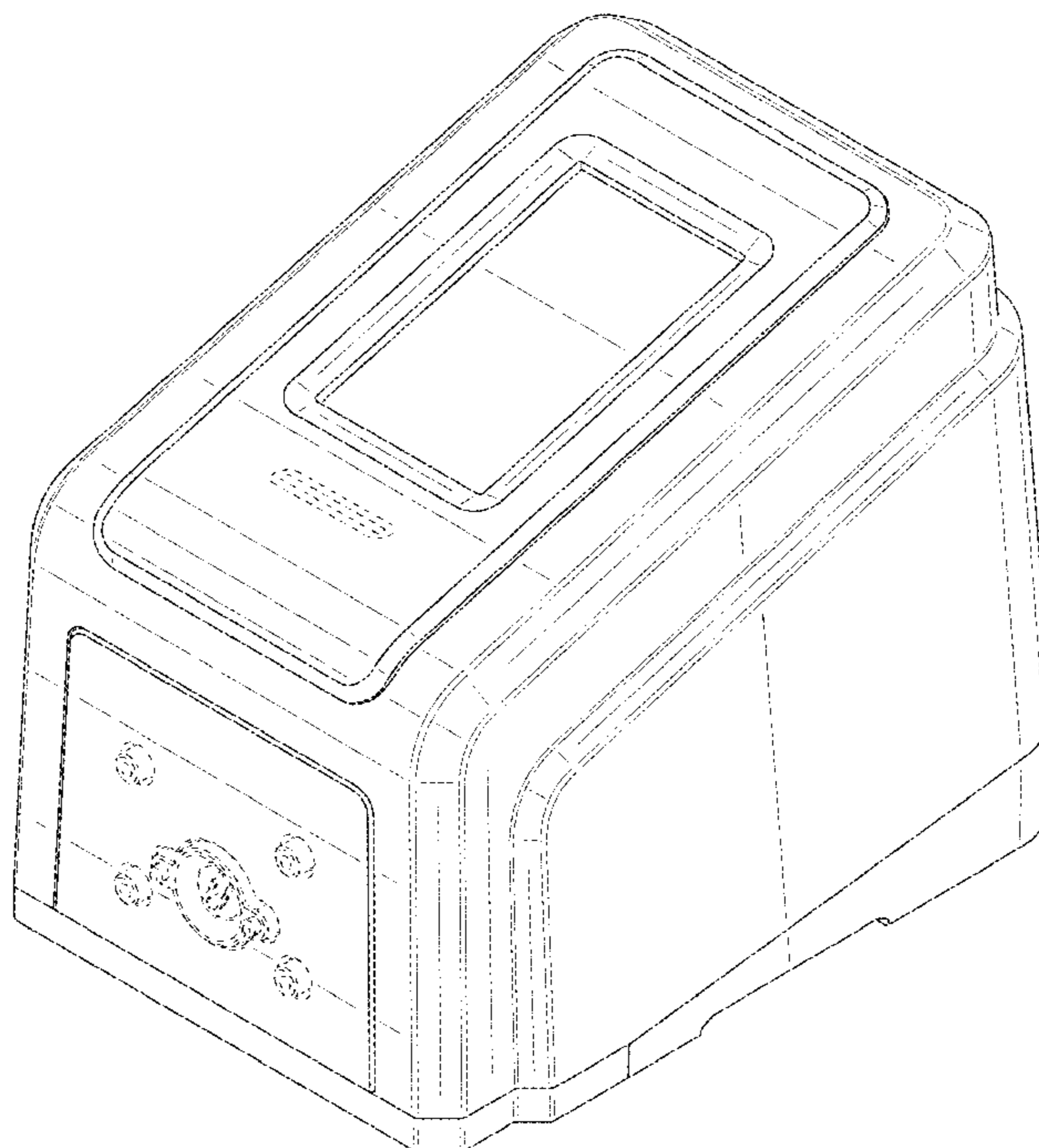
FIG. 1 is a front right perspective view of an enclosed pump drive showing my new design;
FIG. 2 is a front view of the design shown in FIG. 1;
FIG. 3 is a rear view of the design shown in FIG. 1;
FIG. 4 is a left side view of the design shown in FIG. 1;
FIG. 5 is a right side view of the design shown in FIG. 1;
FIG. 6 is a top view of the design shown in FIG. 1; and,
FIG. 7 is a bottom view of the design shown in FIG. 1.
The broken lines shown in the figures are included for the purpose of illustrating portions of the enclosed pump drive and form no part of the claimed design.

(56) **References Cited**

U.S. PATENT DOCUMENTS

D247,436 S * 3/1978 Willinger D15/8
D263,593 S * 3/1982 Goldman D15/8
D662,950 S * 7/2012 Lu D15/9
D696,393 S * 12/2013 Lu D24/110
D696,394 S * 12/2013 Lu D24/110
D732,158 S * 6/2015 Salmon D24/110
D753,812 S * 4/2016 Salmon D24/110
D798,437 S * 9/2017 Buckley D24/110
D871,455 S * 12/2019 Crowsley D15/7
D894,369 S * 8/2020 Salmon D24/110

1 Claim, 7 Drawing Sheets



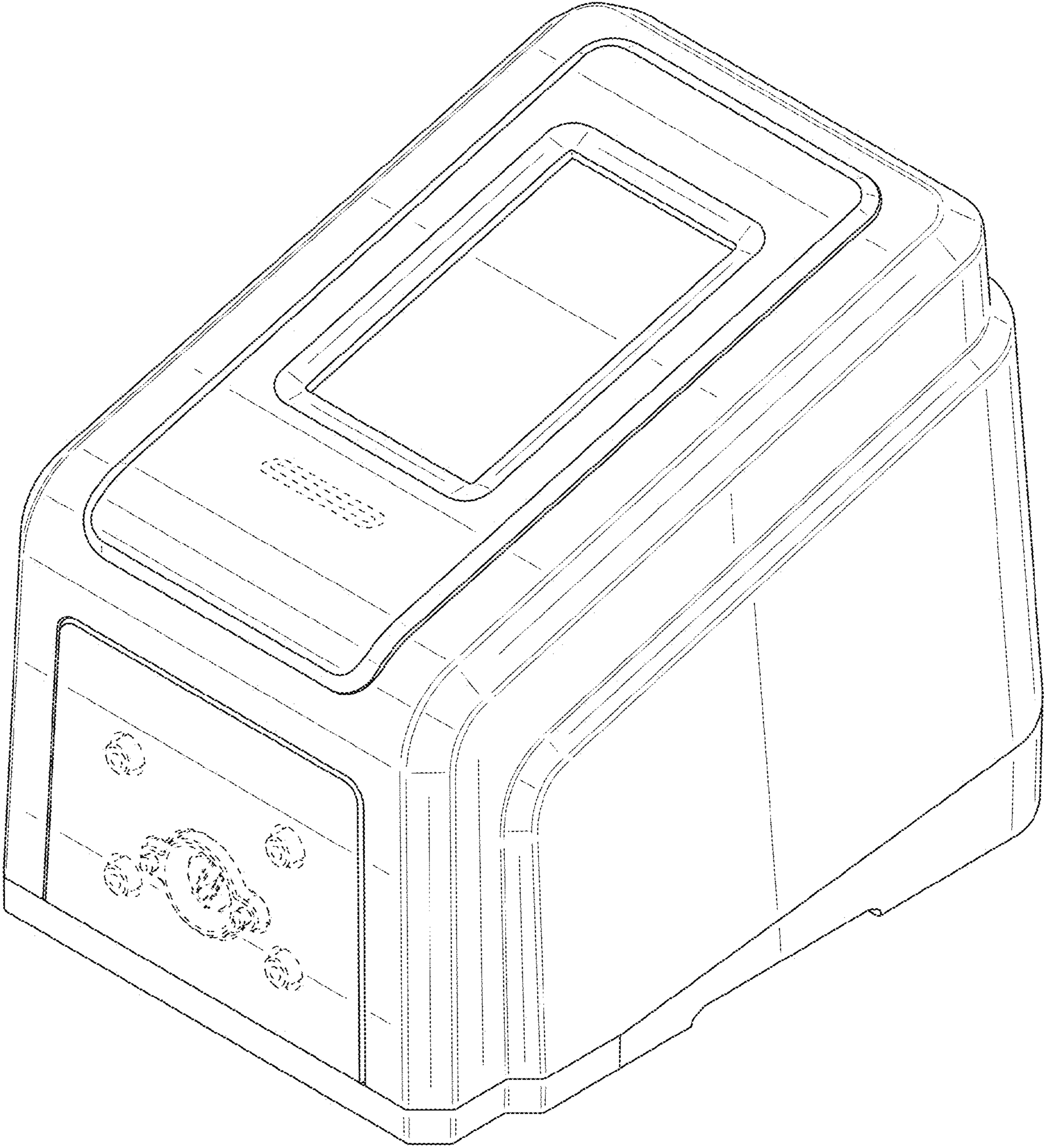


FIG. 1

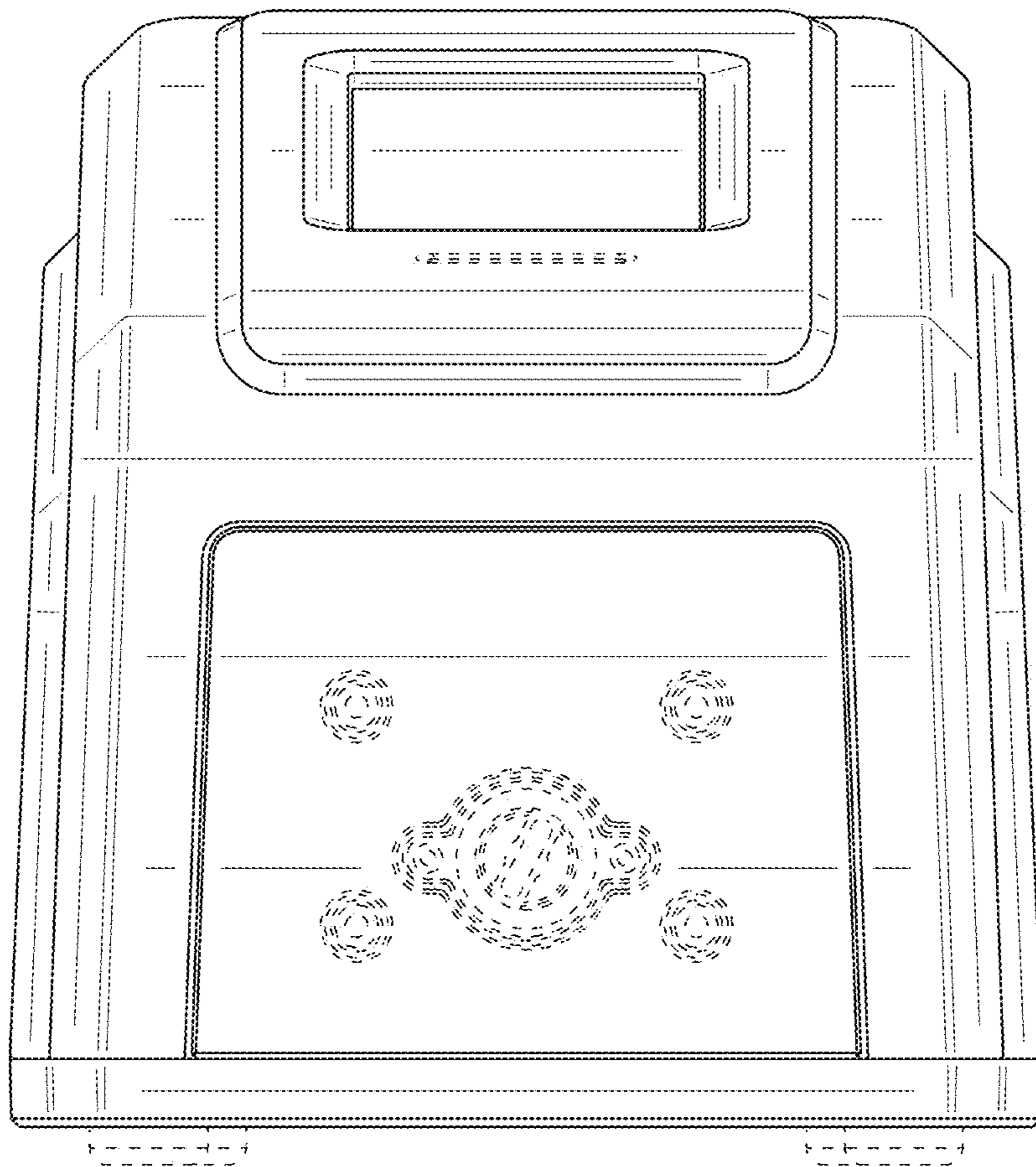


FIG. 2

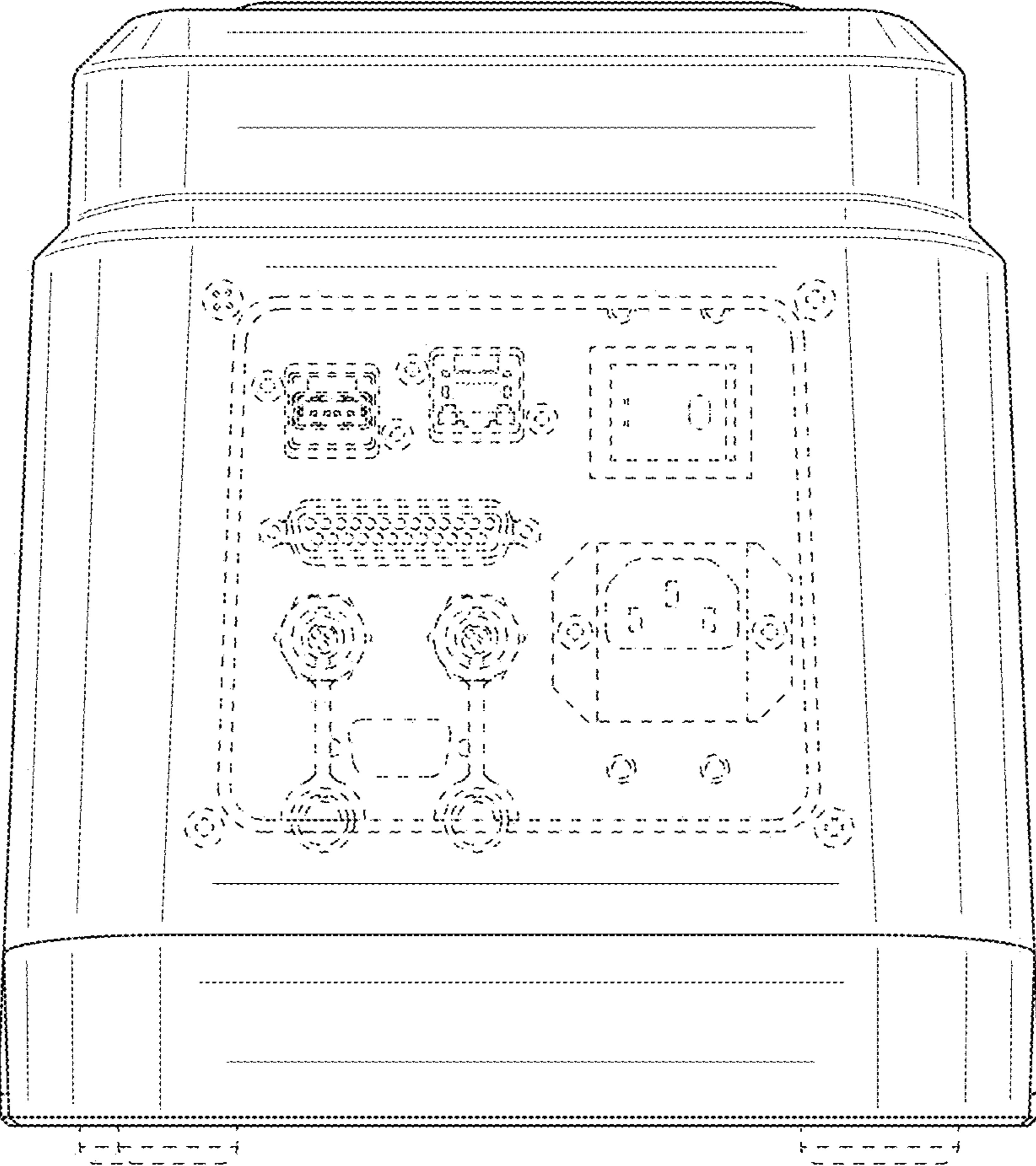


FIG. 3

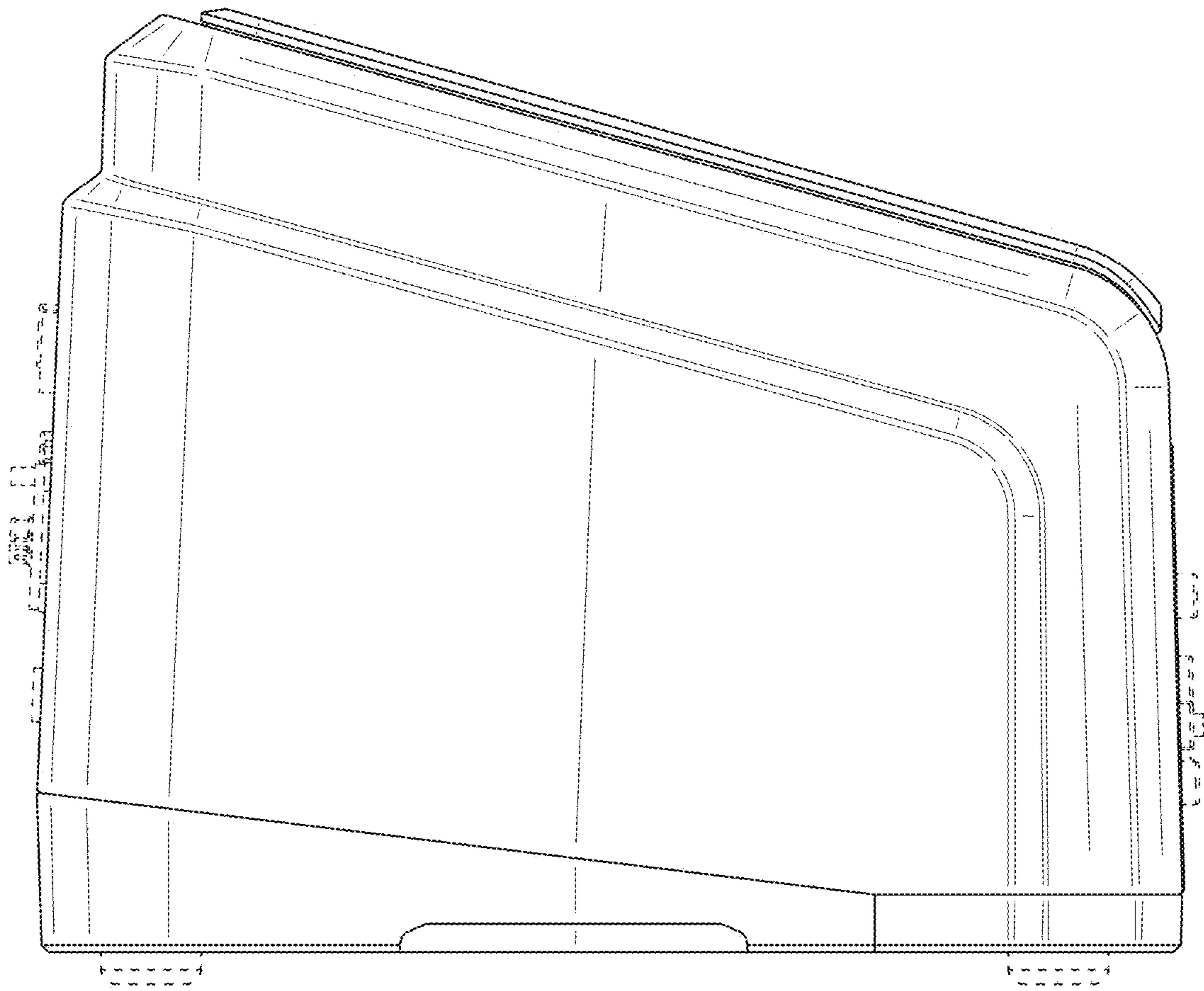


FIG. 4

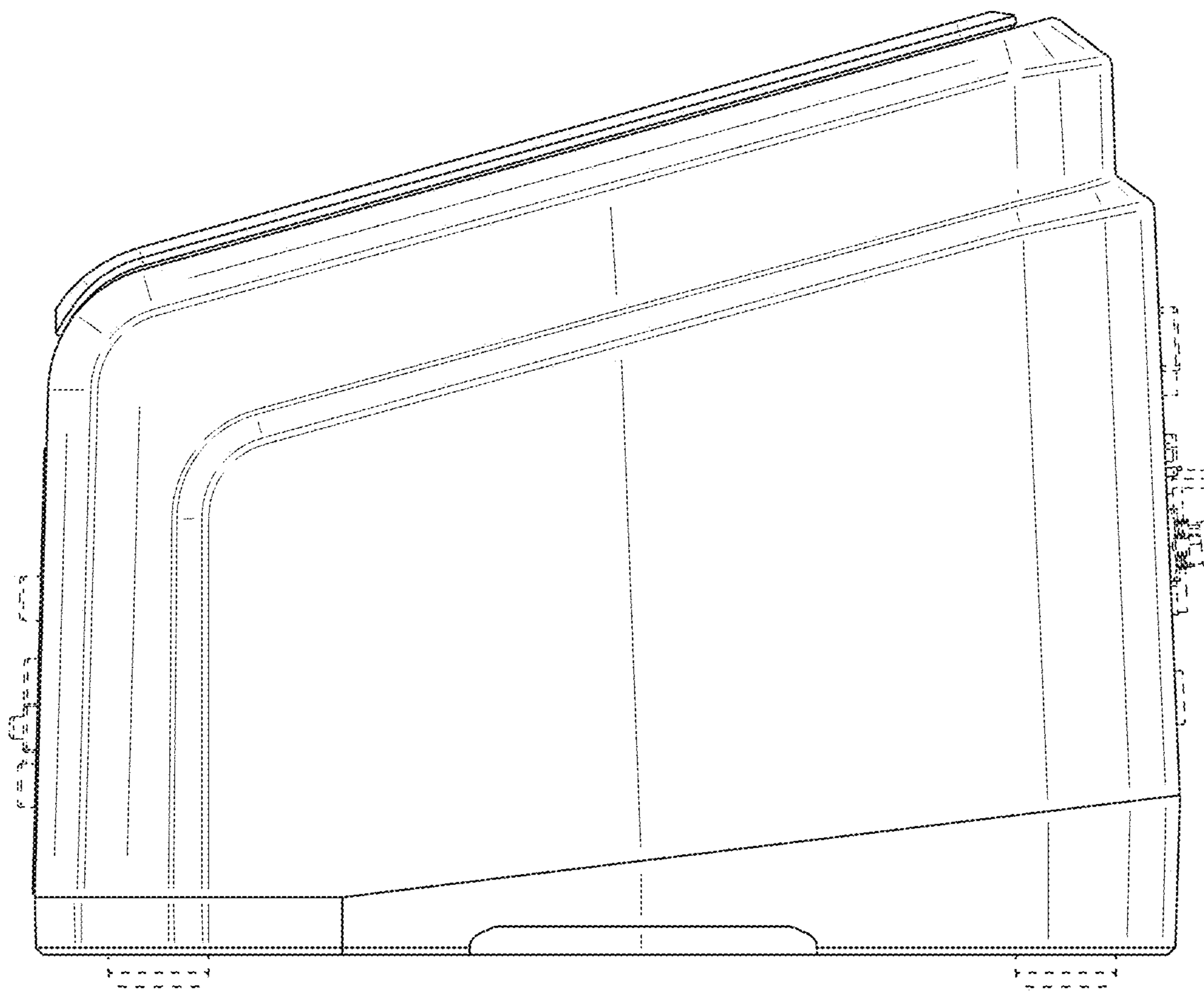


FIG. 5

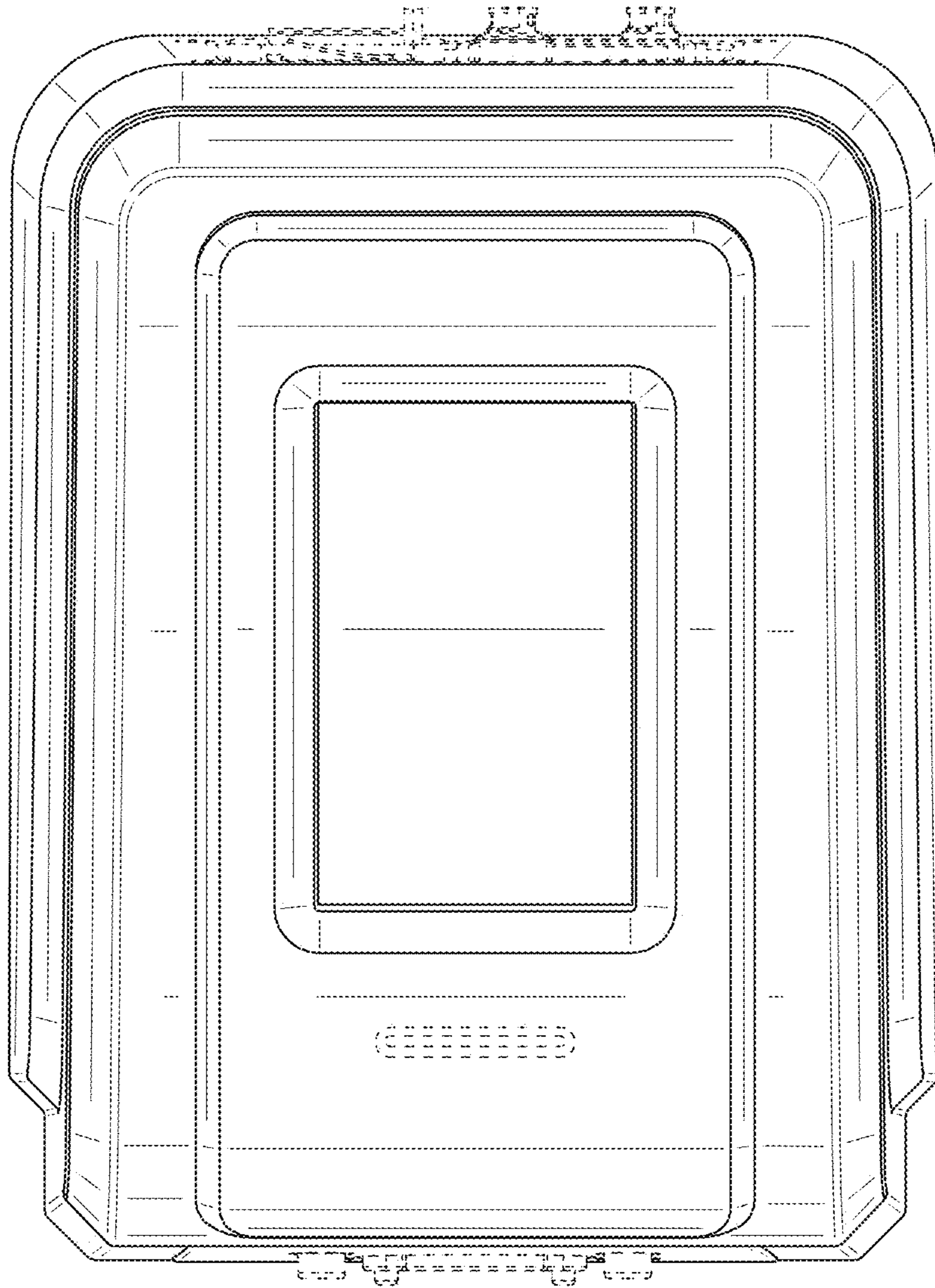


FIG. 6

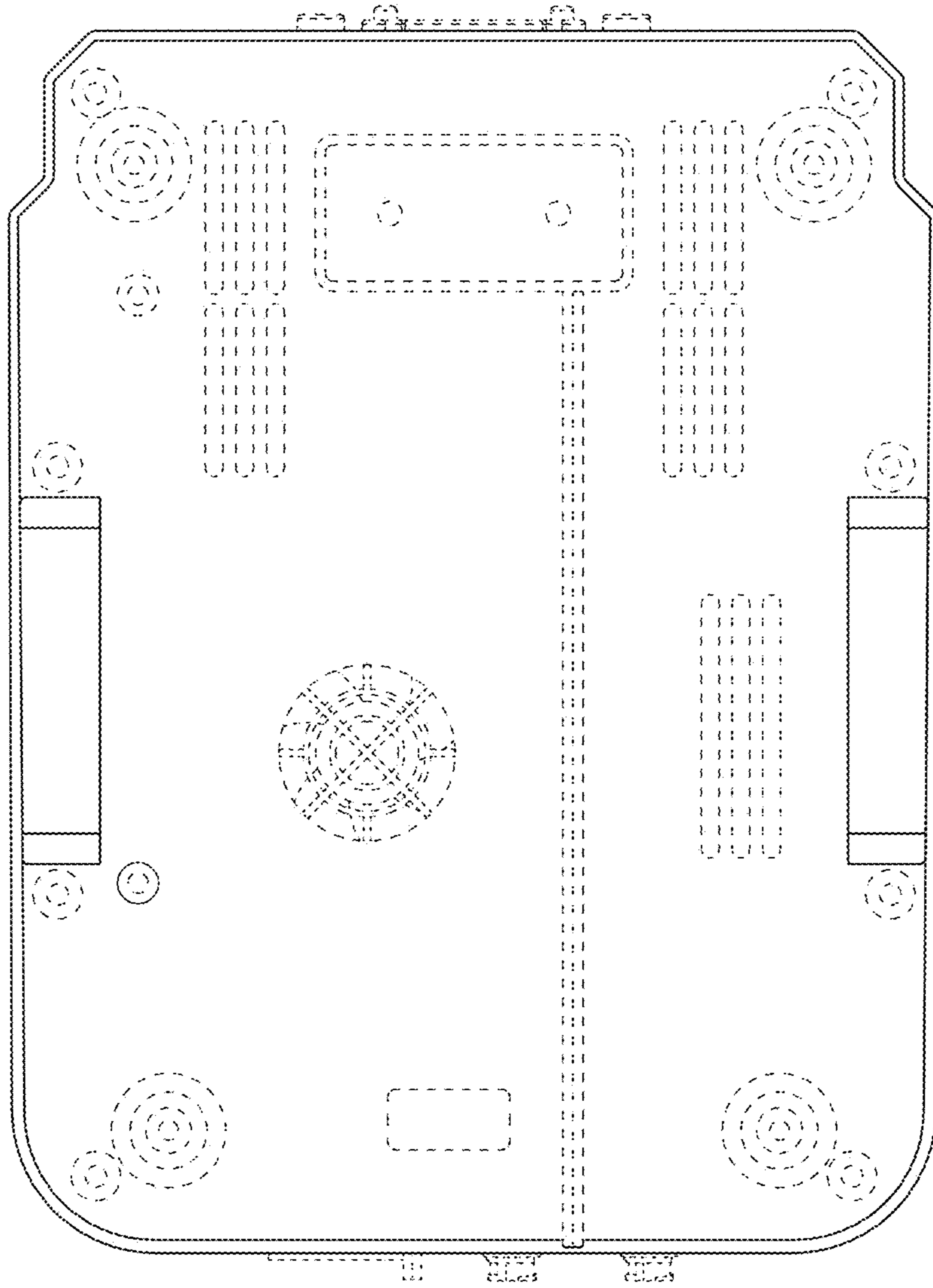


FIG. 7