



US00D951301S

(12) **United States Design Patent**
Hoehn

(10) **Patent No.:** **US D951,301 S**

(45) **Date of Patent:** **** May 10, 2022**

(54) **CENTRIFUGAL IMPELLER ASSEMBLY**

(71) Applicant: **Eugene Juanatas Hoehn**, Tacoma, WA
(US)

(72) Inventor: **Eugene Juanatas Hoehn**, Tacoma, WA
(US)

(**) Term: **15 Years**

(21) Appl. No.: **29/686,237**

(22) Filed: **Apr. 3, 2019**

(51) **LOC (13) Cl.** **15-02**

(52) **U.S. Cl.**
USPC **D15/7**

(58) **Field of Classification Search**
USPC D13/118, 179; D15/7-9, 126, 147;
D23/338, 379, 411, 413, 414; D7/376,
D7/377; D24/111
CPC F04D 9/00; F04D 9/02; F04D 7/00; F04D
7/02; F04D 7/04; F04D 7/06; F04D 5/00;
F04D 3/00; F04D 3/02; F04D 29/04;
F04D 29/18; F04D 29/22; F04D 29/24;
F04D 29/62; F04D 29/66
See application file for complete search history.

(56) **References Cited**

U.S. PATENT DOCUMENTS

3,506,373	A *	4/1970	Cooper	F04D 29/2266	415/106
4,806,080	A	2/1989	Mizobuchi et al.			
6,419,450	B1 *	7/2002	Lum	F04D 29/2222	415/131
D588,158	S *	3/2009	Fausett	D15/5	
7,628,586	B2 *	12/2009	Feher	B23P 15/006	415/170.1
8,267,645	B2	9/2012	Brunner et al.			
D712,434	S *	9/2014	Hastings	D15/7	
D732,581	S *	6/2015	Swiatek	F04D 29/30	D15/7

D762,840	S *	8/2016	Wilkins	D23/413	
D778,958	S *	2/2017	Naruoka	D15/5	
9,897,099	B1 *	2/2018	Highnote	F04B 25/04	
D847,861	S *	5/2019	Wilkins	D15/7	
2009/0169374	A1 *	7/2009	Ilves	F04D 29/2288	415/206
2012/0175885	A1 *	7/2012	Peer	F03D 9/11	290/1 A
2018/0112673	A1 *	4/2018	Manninen	F04D 29/24	
2020/0256348	A1 *	8/2020	Hoehn	F04D 29/2216	
2020/0318647	A1 *	10/2020	Xu	F04D 29/023	

(Continued)

OTHER PUBLICATIONS

Surtsey.org. Rim-Jet [date accessed Nov. 13,2018]: <http://www.surtsey.org/projects/rim-jet/>.

Primary Examiner — Calvin E Vansant
Assistant Examiner — Mark T. Philipps
(74) *Attorney, Agent, or Firm* — Houda El-Jarrah; Bold IP, PLLC

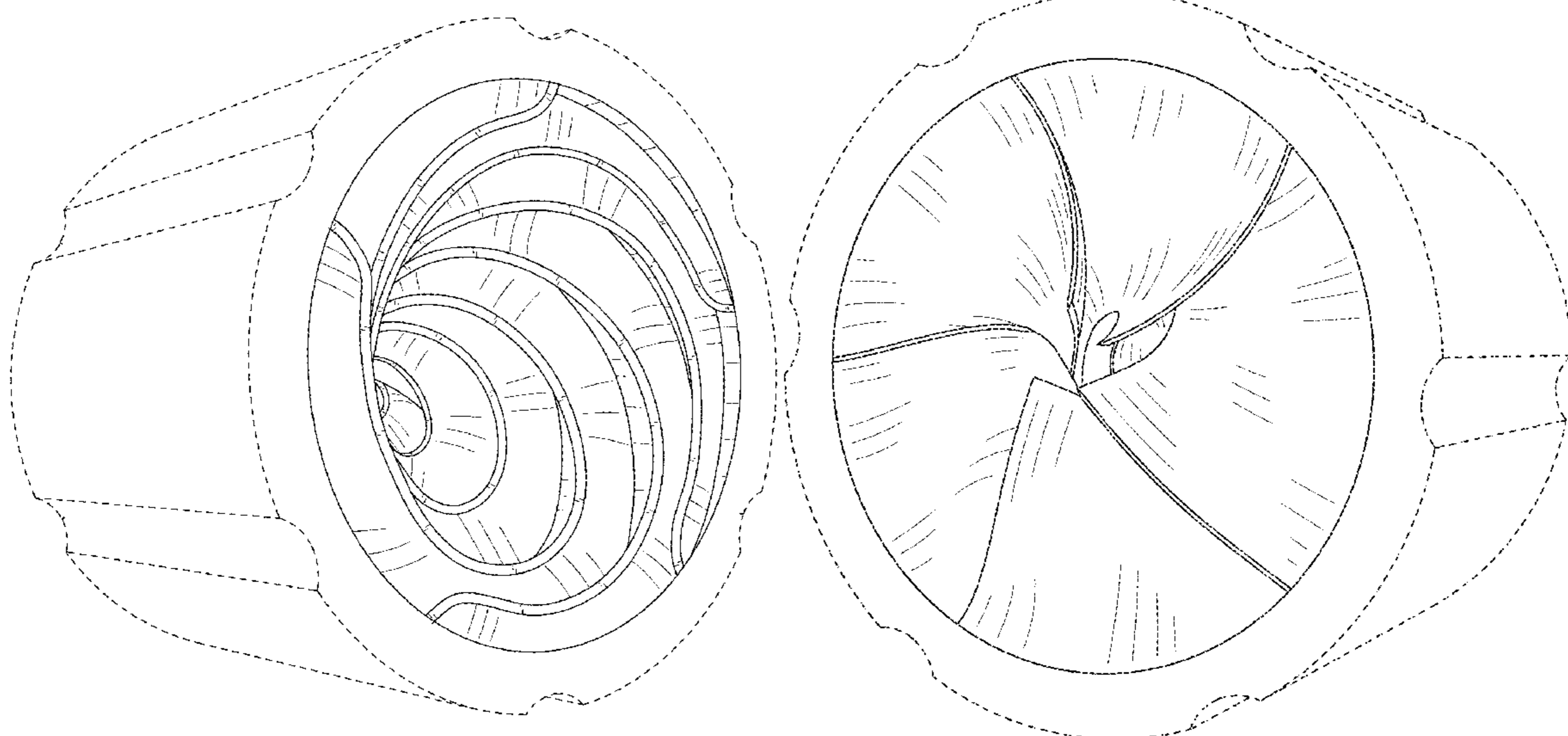
(57) **CLAIM**

The ornamental design for a centrifugal impeller assembly, as shown and described.

DESCRIPTION

FIG. 1 is a perspective view from the front of a centrifugal impeller assembly, in accordance with the present invention; FIG. 2 is a perspective view from the back thereof; FIG. 3 is a top view thereof, wherein the bottom view is a mirror image thereof; FIG. 4 is a right view thereof, wherein the left view is a mirror image thereof; FIG. 5 is a front view thereof; and, FIG. 6 is a back view thereof. The broken lines are to disclose the environmental elements related to the claimed design, which form no part of the claimed design.

1 Claim, 6 Drawing Sheets



(56)

References Cited

U.S. PATENT DOCUMENTS

2021/0003143 A1* 1/2021 Xu F04D 29/4226
2021/0180606 A1* 6/2021 Sinico F04D 29/2216

* cited by examiner

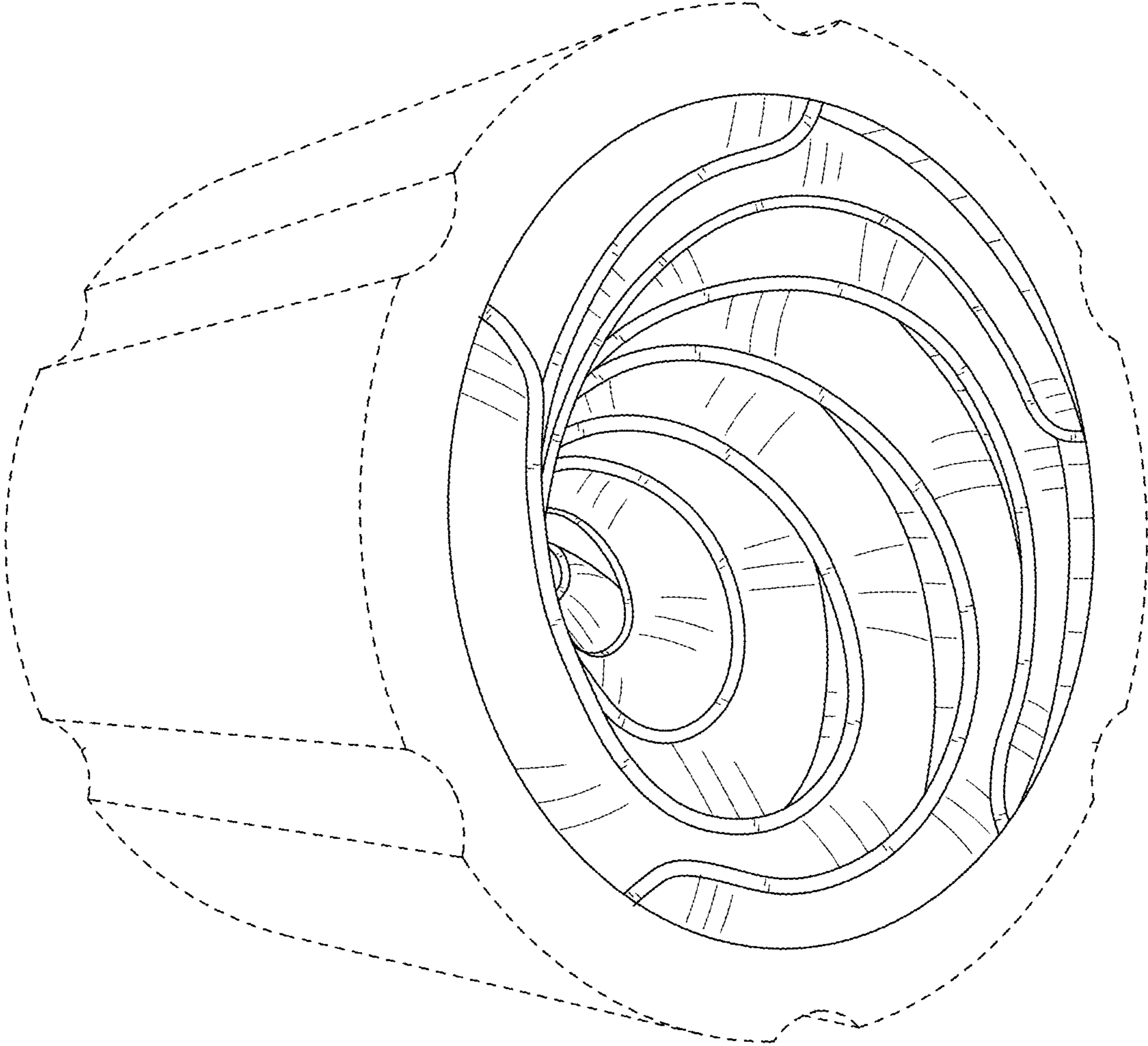


FIG. 1

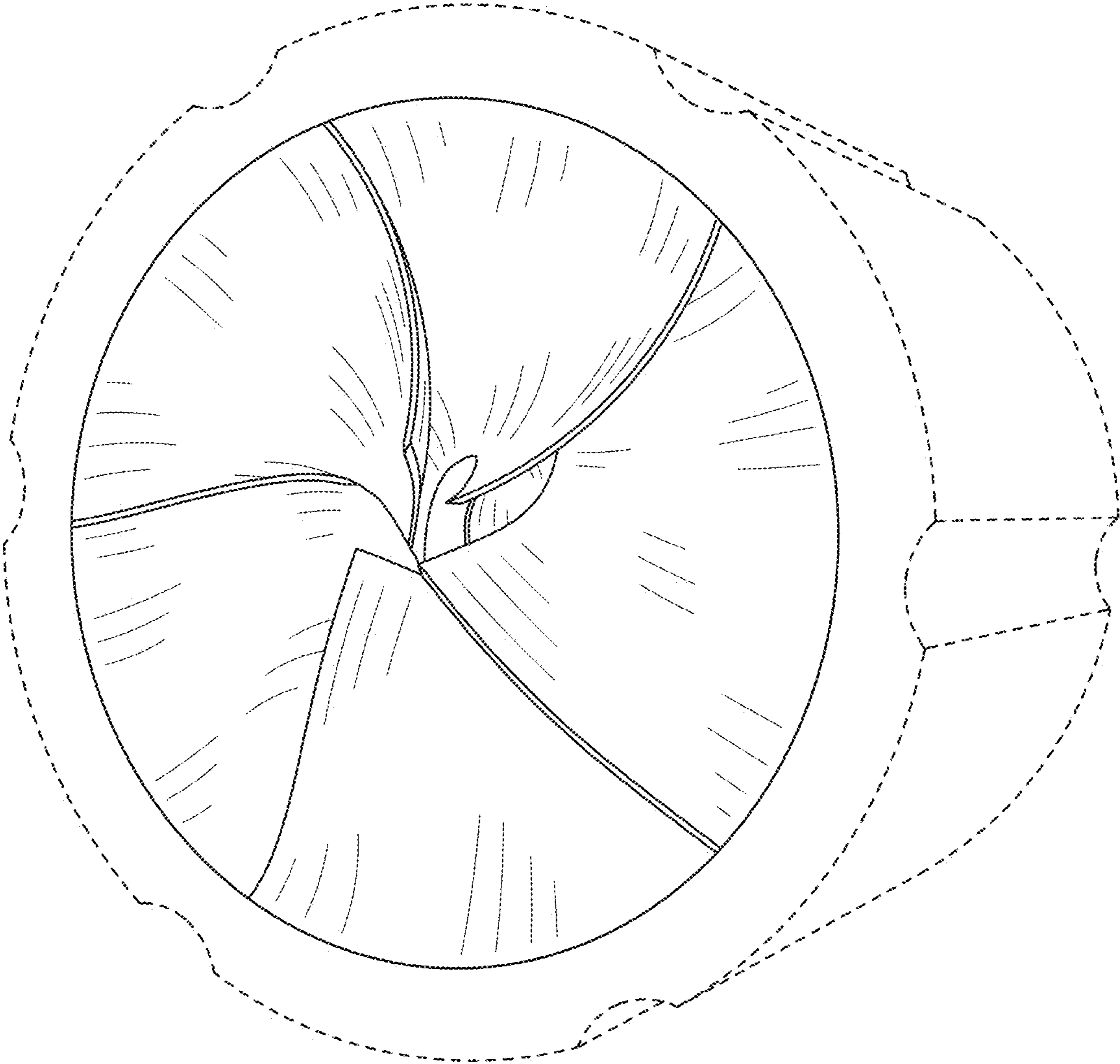


FIG. 2



FIG. 3



FIG. 4

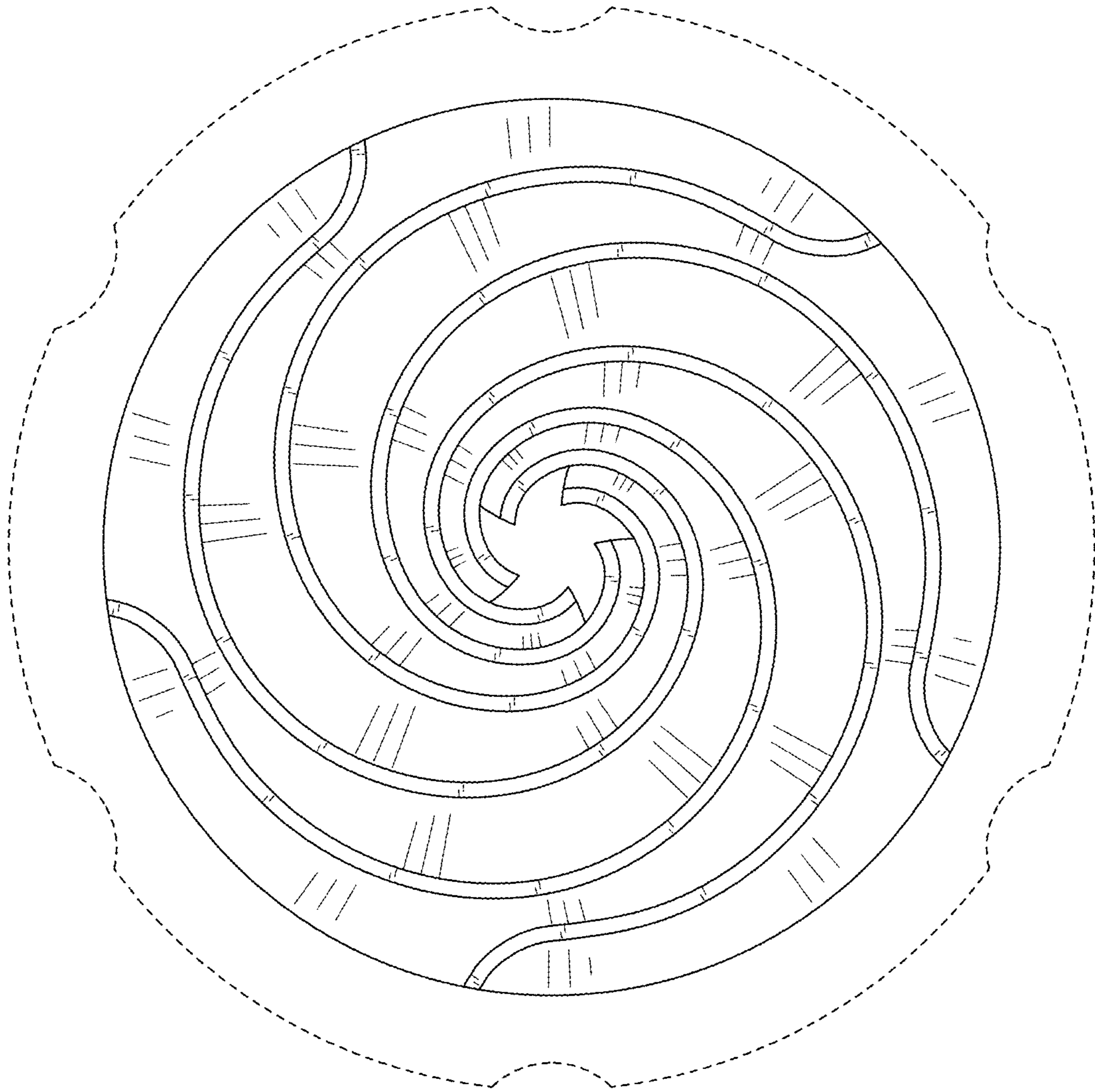


FIG. 5

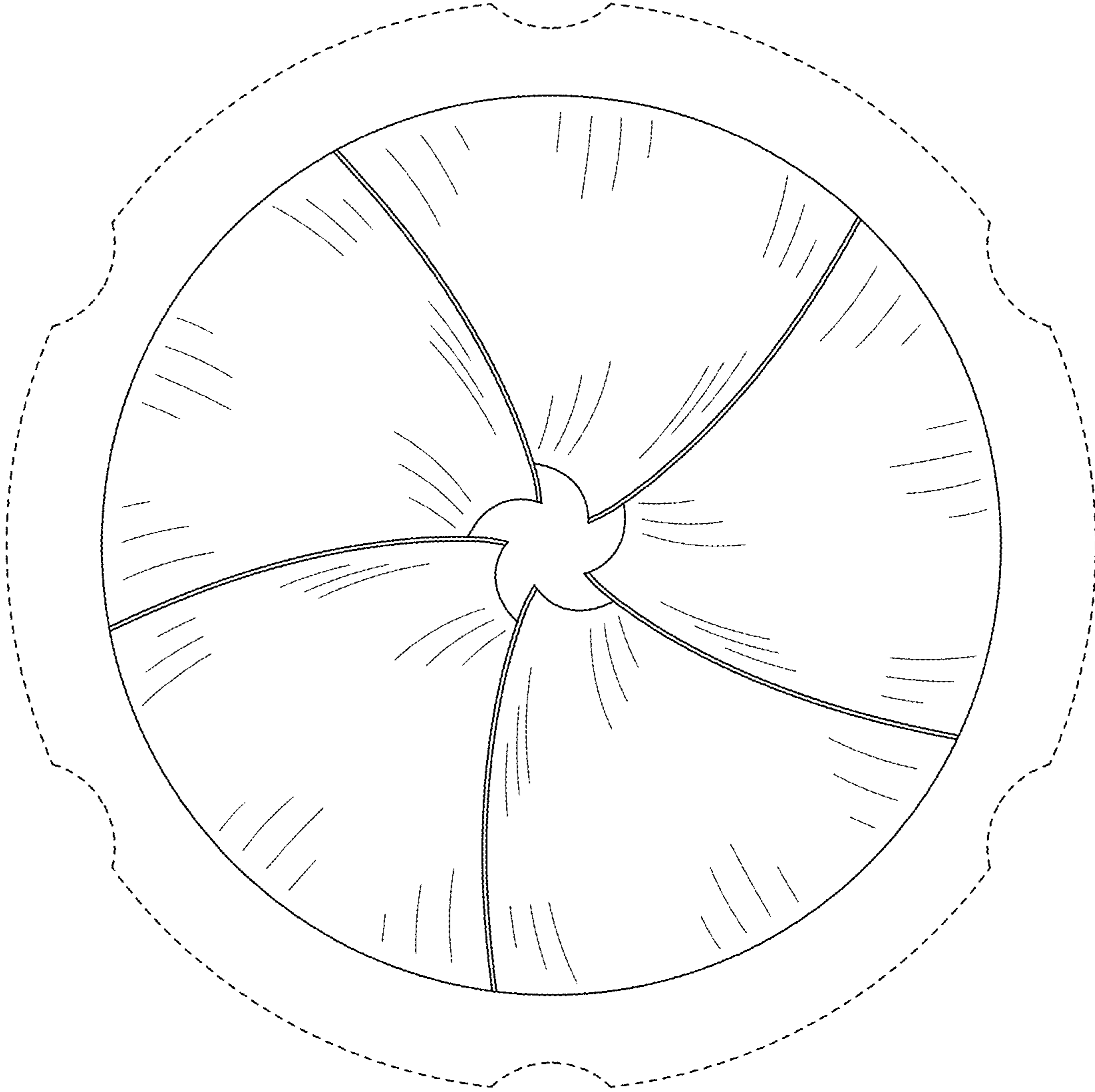


FIG. 6