



US00D951268S

(12) **United States Design Patent** (10) **Patent No.:** **US D951,268 S**
Dye et al. (45) **Date of Patent:** **** May 10, 2022**

(54) **DISPLAY SCREEN OR PORTION THEREOF WITH GRAPHICAL USER INTERFACE**

(56) **References Cited**

(71) Applicant: **Apple Inc.**, Cupertino, CA (US)
(72) Inventors: **Alan C. Dye**, San Francisco, CA (US);
Jonathan P. Ive, San Francisco, CA (US); **Christopher Wilson**, San Francisco, CA (US); **Eric Lance Wilson**, San Jose, CA (US)

U.S. PATENT DOCUMENTS

D212,962 S	12/1968	McLeod	
4,389,122 A	6/1983	Dubois et al.	
D296,992 S	8/1988	Crocco	
D297,512 S	9/1988	Kowalenko et al.	
D321,665 S *	11/1991	Crocco	D10/32
5,113,381 A	5/1992	Sakamoto et al.	

(Continued)

(73) Assignee: **Apple Inc.**, Cupertino, CA (US)

FOREIGN PATENT DOCUMENTS

(**) Term: **15 Years**

EM	000910807-0018	5/2008
EM	001098990-0009	5/2009

(Continued)

(21) Appl. No.: **29/721,173**

(22) Filed: **Jan. 17, 2020**

OTHER PUBLICATIONS

Related U.S. Application Data

Jeon, Sang, "Flat Clock" May 18, 2014, posted at uispace.net, [site visited Nov. 4, 2020]. <https://uispace.net/192-flat-clock-free-PSD> (Year: 2014).*

(Continued)

(63) Continuation of application No. 29/633,258, filed on Jan. 12, 2018, now Pat. No. Des. 873,279, which is a continuation of application No. 29/578,141, filed on Sep. 19, 2016, now Pat. No. Des. 807,905, which is a continuation of application No. 29/565,613, filed on May 23, 2016, now Pat. No. Des. 797,135, which is a continuation of application No. 29/501,182, filed on Sep. 2, 2014, now Pat. No. Des. 757,079.

Primary Examiner — John M Otte

(74) *Attorney, Agent, or Firm* — Sterne, Kessler, Goldstein & Fox P.L.L.C.

(51) **LOC (13) Cl.** **14-04**

(57) **CLAIM**

(52) **U.S. Cl.**
USPC **D14/485**

The ornamental design for a display screen or portion thereof with graphical user interface, as shown and described.

(58) **Field of Classification Search**
USPC D14/485-495; D20/11; D21/324, 325
CPC G06F 3/048; G06F 3/0481; G06F 3/04817;
G06F 3/0482; G06F 3/0483; G06F 3/04842; G06F 3/0485; G06F 3/04855;
G06F 3/0486; G06F 3/0488; G06F 3/04883; G06F 3/04886; G06F 9/4443;
G06F 17/211; G06F 17/212; G06F 40/10; G06F 40/109; H04N 21/482; B60K 35/00; G04B 19/247; G04G 9/007; G06Q 50/06

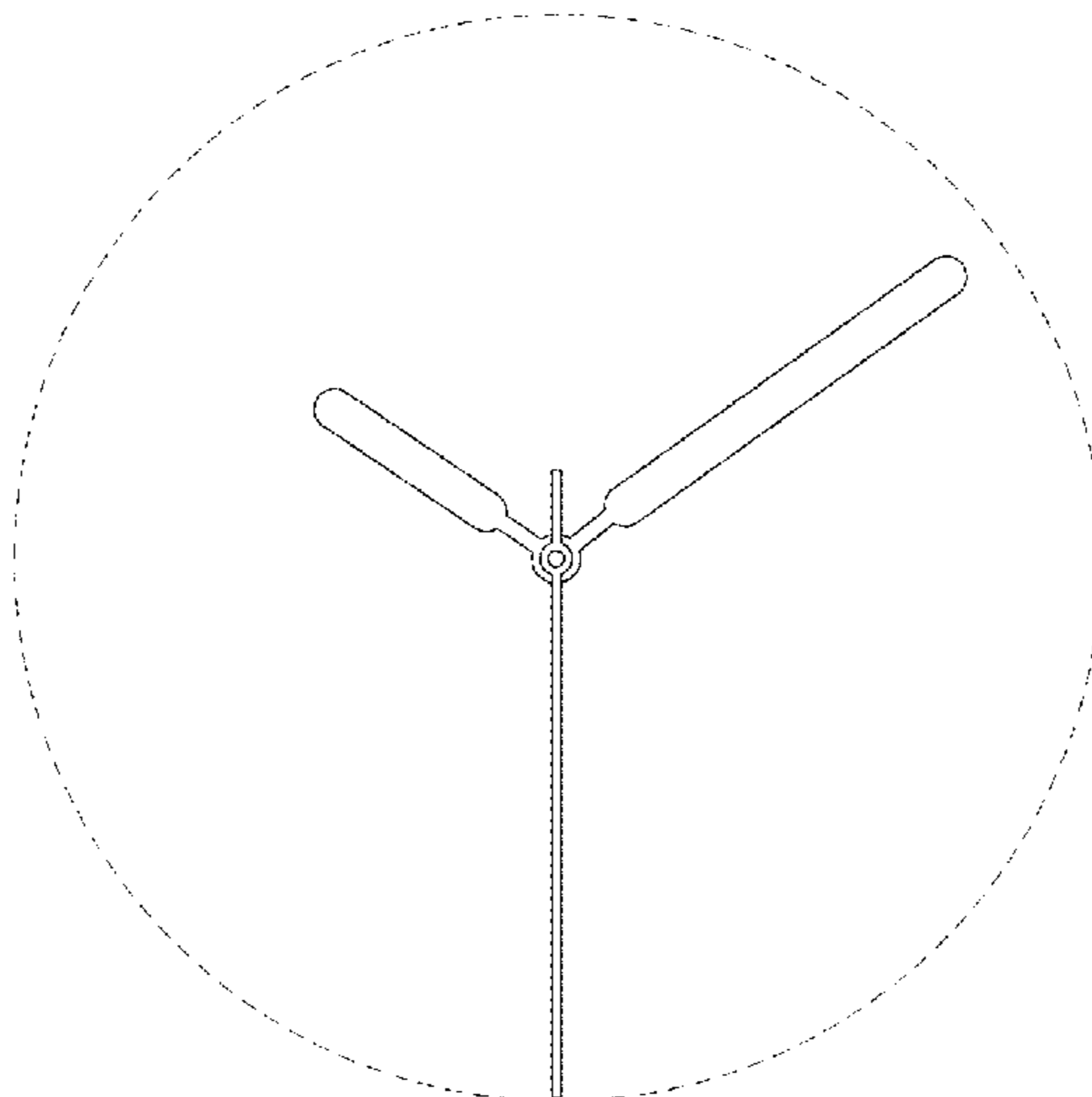
DESCRIPTION

The FIGURE is a front view of a display screen or portion thereof with graphical user interface showing the claimed design.

The broken lines in the FIGURE show a display screen or portion thereof and form no part of the claimed design.

See application file for complete search history.

1 Claim, 1 Drawing Sheet



(56)

References Cited

U.S. PATENT DOCUMENTS

5,220,541 A 6/1993 Vuilleumier
 5,282,179 A 1/1994 Vuilleumier
 5,473,580 A 12/1995 Gilomen et al.
 D379,595 S 6/1997 Choi
 6,081,483 A * 6/2000 Capt G04B 19/247
 368/28
 D468,656 S 1/2003 Kallestad
 6,570,823 B1 5/2003 Gilomen et al.
 6,662,366 B1 * 12/2003 Hama H04N 21/482
 725/39
 7,027,360 B2 4/2006 Kitahara et al.
 7,102,962 B2 9/2006 Suzuki
 D532,017 S 11/2006 Gusmorino et al.
 7,167,417 B2 1/2007 Akahane et al.
 7,180,829 B2 2/2007 Watanabe
 D560,225 S * 1/2008 Park D14/485
 7,445,374 B2 11/2008 Forsey et al.
 D587,277 S * 2/2009 Park D14/485
 D589,371 S 3/2009 Miloradovic
 D612,748 S 3/2010 Jorst et al.
 D629,311 S 12/2010 Giannini
 D629,703 S 12/2010 Giannini
 D631,764 S 2/2011 Furetta
 D648,638 S 11/2011 Monachon
 D657,373 S * 4/2012 Kim D14/486
 D659,154 S 5/2012 Kim et al.
 8,279,717 B2 10/2012 Hirano
 8,302,020 B2 * 10/2012 Louch B60K 35/00
 715/764
 8,366,313 B2 2/2013 Scioscia
 D682,850 S 5/2013 Del Pasqua
 D688,270 S 8/2013 Jang et al.
 D695,300 S 12/2013 Lee et al.
 D697,823 S 1/2014 Mijatovic
 D698,268 S 1/2014 Mijatovic
 D703,221 S 4/2014 Park et al.
 D703,228 S 4/2014 Abratowski et al.
 D703,229 S 4/2014 Abratowski et al.
 D703,554 S * 4/2014 Emmenegger D10/32
 D707,570 S 6/2014 McCormick
 D731,529 S 6/2015 Cavander et al.
 D731,545 S 6/2015 Lim et al.
 D735,754 S 8/2015 Chaudhri et al.
 D741,726 S 10/2015 Akana et al.
 9,164,490 B1 10/2015 Fraser
 D747,740 S 1/2016 Lee et al.
 D753,696 S 4/2016 Dye et al.
 D755,208 S * 5/2016 Jang D14/485
 D755,221 S 5/2016 Kim et al.
 D755,228 S * 5/2016 Lee D14/489
 D756,357 S 5/2016 Akana et al.
 D756,394 S 5/2016 Kim et al.
 D756,395 S 5/2016 Kim et al.
 D757,079 S 5/2016 Chaudhri et al.
 D757,080 S 5/2016 Hou
 D757,084 S 5/2016 Chaudhri et al.
 D760,286 S 6/2016 Park
 D760,290 S 6/2016 Huang et al.
 D761,812 S 7/2016 Motamedi
 D763,865 S 8/2016 Zhu et al.
 D763,914 S 8/2016 Butcher et al.
 D765,098 S 8/2016 Chaudhri et al.
 D765,114 S 8/2016 Chaudhri et al.
 D765,681 S 9/2016 Nagel et al.
 D765,693 S 9/2016 Chaudhri et al.
 D766,950 S 9/2016 Dye et al.
 D770,475 S 11/2016 Choi et al.
 D770,513 S 11/2016 Choi et al.
 D772,264 S 11/2016 Jung et al.
 D774,538 S 12/2016 Dye et al.
 D780,771 S 3/2017 Vulk et al.
 D783,630 S 4/2017 Ahn et al.
 D784,389 S 4/2017 Kim et al.
 D786,304 S 5/2017 Cronin et al.
 D786,915 S 5/2017 Kim et al.

D788,154 S 5/2017 Kim et al.
 D792,908 S 7/2017 Barajas et al.
 D793,438 S 8/2017 Hosaka
 D793,445 S 8/2017 Tsukahara
 D793,446 S 8/2017 Tsukahara
 D795,886 S 8/2017 Ng et al.
 D795,906 S 8/2017 Butrick
 D796,546 S 9/2017 Chen et al.
 D796,547 S 9/2017 Broughton et al.
 D797,135 S 9/2017 Chaudhri et al.
 D797,783 S 9/2017 Broughton et al.
 D801,369 S 10/2017 Chaudhri et al.
 D801,389 S 10/2017 Jung et al.
 D802,003 S * 11/2017 Jeon D14/486
 D802,021 S 11/2017 Pirklbauer
 D802,614 S * 11/2017 Bae D14/486
 D803,879 S 11/2017 Broughton et al.
 D806,119 S 12/2017 Anzures et al.
 D806,122 S * 12/2017 Lee D14/492
 D809,543 S 2/2018 Broughton et al.
 D810,110 S 2/2018 Dye et al.
 D813,891 S 3/2018 Chaudhri et al.
 D813,892 S 3/2018 Chaudhri et al.
 D815,134 S * 4/2018 Kim D14/486
 D820,300 S 6/2018 Broughton et al.
 D822,698 S 7/2018 Kim et al.
 D840,414 S 2/2019 Chen et al.
 D842,326 S 3/2019 Broughton et al.
 D857,042 S 8/2019 Lim
 D858,553 S 9/2019 Chaudhri et al.
 D859,431 S 9/2019 Chaudhri et al.
 D862,503 S 10/2019 Dye et al.
 D868,094 S 11/2019 Chen et al.
 D870,758 S 12/2019 Chen
 D870,764 S * 12/2019 Seung D14/486
 D873,279 S 1/2020 Dye et al.
 10,572,132 B2 * 2/2020 Chen G06F 40/109
 D883,307 S * 5/2020 Broughton D14/485
 D886,843 S * 6/2020 Broughton D14/485
 D898,755 S * 10/2020 Chen D14/486
 D904,434 S * 12/2020 Chen D14/485
 D916,748 S * 4/2021 Chaudhri D14/485
 D922,413 S * 6/2021 Chen D14/486
 D923,655 S * 6/2021 Luo D14/488
 2007/0153636 A1 7/2007 Burkhardt et al.
 2009/0228820 A1 * 9/2009 Kim G06F 3/04886
 715/769
 2010/0091615 A1 4/2010 Scott et al.
 2010/0157742 A1 6/2010 Relyea et al.
 2012/0068854 A1 * 3/2012 Shiflet G06Q 50/06
 340/870.02
 2012/0165071 A1 * 6/2012 Hsu G06F 3/04817
 455/557
 2012/0165075 A1 6/2012 Kim et al.
 2013/0271482 A1 10/2013 Fendley
 2014/0031724 A1 1/2014 Davis et al.
 2014/0189584 A1 * 7/2014 Weng G06F 3/04883
 715/808
 2015/0085622 A1 3/2015 Carreel et al.
 2015/0146504 A1 5/2015 Derriey et al.
 2015/0363065 A1 12/2015 Kim et al.
 2016/0034133 A1 2/2016 Wilson et al.
 2016/0170575 A1 6/2016 Ye et al.
 2016/0259488 A1 9/2016 Chan et al.
 2016/0269540 A1 9/2016 Butcher et al.
 2016/0357282 A1 * 12/2016 Block G06F 40/10
 2016/0357420 A1 12/2016 Wilson et al.
 2021/0073007 A1 * 3/2021 Guzman G04G 9/007

FOREIGN PATENT DOCUMENTS

EM 001338297-0012 8/2012
 EM 001396915-0013 1/2014
 EM 002399535-0014 2/2014
 JP 1093433 S 12/2000
 JP 1307826 S 8/2007

(56)

References Cited

FOREIGN PATENT DOCUMENTS

RU	00090717	11/2014
WO	WO D070901-002	12/2008

OTHER PUBLICATIONS

“SPB Shell 3D for Android” Apr. 5, 2011, posted at mobile-review.com, [site visited Nov. 4, 2020]. <https://mobile-review.com/soft/2011/spb-shell-3d.shtml> (Year: 2011).*

Leo, Zhang Liou, “BlackBerry Z10 easily “Flow”, anytime “Hub”” May 5, 2013, posted at sogi.com.tw, [site visited Nov. 4, 2020]. https://www.sogi.com.tw/articles/BlackBerry_Z10%E8%BC%95%E9%AC%86_Flow_%E9%9A%A8%E6%99%82_Hub_/6212769 (Year: 2013).*

Aleem, Asif, “Clock Icon—PSD” Jun. 27, 2013, posted at dribbble.com, [site visited Nov. 4, 2020]. <https://dribbble.com/shots/1133048-Clock-Icon-PSD> (Year: 2013).*

Smith, Tony, “Smartwatch face off: Pebble, MetaWatch and new hi-tech timepieces” May 22, 2013, posted at theregister.com, [site visited Mar. 23, 2021]. https://www.theregister.com/Print/2013/05/22/roundup_smartwatches (Year: 2013).*

World Watch Review. “Hermes Cape Cod Grandes Heures Automatic” <<http://www.worldwatchreview.com/2011/04/02/hermes-cape-cod-grandes-heures-automatic/>> dated Apr. 2, 2011, accessed Aug. 28, 2015.

Watch Time, “New York Exhibit Celebrates 40 Years of Audemars Piguet Royal Oak” <<http://www.watchtime.com/wristwatch-industry-news/new-york-exhibit-celebrates-40-years-of-audemars-piguet-royal-oak>> dated Apr. 10, 2012, accessed Aug. 28, 2015.

A Blog to Watch, “Vintage Omega Marine Chronometer Watch Hands-On” <<http://www.ablogtowatch.com/vintage-omega-marine-chronometer-watch-hands-on/>> dated Jan. 5, 2012, accessed Aug. 28, 2015.

Dezeen Magazine, “New 100 Series by Uniform Wares at Dezeen Watch Store” <<http://www.dezeen.com/2011/03/02/new-100-series-by-uniform-wares-at-dezeen-watch-store/>> dated Mar. 2, 2011, accessed Aug. 28, 2015.

Dysant, Lena, “Buyers Guide—6 Simple, Affordable Watches”, posted at selectism.com, Jul. 20, 2012, Titel Media [online], [site visited Dec. 9, 2015]. URL: <<http://www.selectism.com/2012/07/20/buyersguide-6-simple-affordable-watches>>.

Ma, Louis, “iWatchHome”, posted at iwatchhome.net, Apr. 18, 2013, Cite IWW [online], [site visited Dec. 7, 2015]. URL: <http://www.iwatchhome.net/Column_Dr_paper.php?article_id=C01300053>.

Swatch Group Japan KK, Be surprised IRONY LADY, Swatch Irony Lady Swatch, Apr. 30, 2013. http://jp-shop.swatch.jp/fs/swatchec/GoodsAdditionalImagePopup.html?goods_id=1050, (JPO publicly known document No. HJ25006511).

Veerabadran, Chris, “World Clocks: Analog & Digital Clock Extension for Chrome Browser”, posted at cgullworld.blogspot.com, Apr. 13, 2013, Google [online], [site visited Dec. 7, 2015]. URL: <<http://cgullworld.blogspot.com/2013/04/world-clocks-analog-digital-clock.html>>.

Korean Trademark Registration No. 30-0540968, Sep. 25, 2009. JPO design division publicly known document No. HH21427745. Registered Trademark Serial No. 85970984, Apple Inc., filed Jun. 26, 2013.

“Smart Watches”, posted at christopherwardforum.com, Jul. 5, 2015, © phpBB Group [online], [site visited Dec. 9, 2015]. URL: <<http://www.christopherwardforum.com/viewtopic.php?f=8&t=20011>>.

Citizen Clock, 2001, vol. 1, AA92-2161D, p. 125. JPO Document No. HC12014992.

“Goods Press”, No. 3, p. 72, dated Mar. 10, 2007 and received by the National Center for Industrial Property Information and Training of the JPO on Feb. 13, 2007.

Apple Japan Co., Ltd., Apple—iPod nano—Music, FM radio, Genius, etc. all at will, Oct. 24, 2011. <<http://www.apple.com/jp/ipodnano/features.html>> (JPO publicly known document No. HJ23040214).

Sony Co., Ltd., Sony Mobile Communications News & Topics, Oct. 29, 2013. <http://www.sonymobile.co.jp/company/press/20131017_sw2_ipt-ds1Om.html> (JPO publicly known document No. HJ25046859).

Portable information terminal, HKTDC Enterprise Company Annual No. 20. Received by the National Center for Industrial Property Information and Training of the JPO on Jan. 30, 2014, p. 443 (JPO publicly known document No. HB26000144).

Gessato Blog, “W Watch by Satoshi Wada for Issey Miyake” <<http://fblog.gessato.com/2013/04/17/w-watch-by-satoshi-wada-for-issey-miyake/>> dated Apr. 17, 2013, accessed Aug. 28, 2015.

Fratello Watches, “Ike Strikes Again—A. Manzoni & Fils Canopus Weekplanner” <<http://fwww.fratellowatches.com/ike-strikes-manzoni-fils-canopus-weekplanner/>> dated Sep. 2, 2013, accessed Aug. 28, 2015.

Registered Trademark Serial No. 85970994, Apple Inc., filed Jun. 26, 2013, priority date Apr. 3, 2013.

Registered Trademark Serial No. 86744634, Apple Inc., filed Sep. 1, 2015, priority date Mar. 2, 2015.

Registered Trademark Serial No. 85018957, Apple Inc., filed Apr. 21, 2010.

“Analog Clock Live Wallpaper—? APK”, posted at appsapk.com, Dec. 28, 2013, [site visited Aug. 11, 2017]. URL: <http://www.appsapk.com/analog-clock-live-wallpaper-7>.

“Who makes the best >\$150 field/military watch?”, posted at forums.watchuseek.com, Apr. 2, 2011, [site visited Aug. 11, 2017]. URL: <http://forums.watchuseek.com/171/who-makes-best-sub-%24150-field-military-watch-524024-2.html>.

“How to tell time”, posted at youtube.com, May 18, 2013, [site visited Aug. 11, 2017]. Available from Internet: <https://www.youtube.com/watch?v=zARh01-EXGQ>.

“Fake Apple Watch”, posted at facerepo.com, Mar. 3, 2015, [site visited Aug. 11, 2017]. URL: <https://facerepo.com/app/faces/details/fake-apple-watch-14be001c59d>.

Design of Clock dial, German Design Publication, Jun. 25, 2002, p. 2338, (JPO publicly known document No. HH14033842).

“FS: Two Seiko 5 watches; one dress and one military/aviator **SOLD**,” posted at bladeforums.com, Dec. 29, 2004, [site visited Mar. 28, 2016]. URL: <http://www.bladeforums.com/forums/showthread.php/326902-FS-Two-Seiko-5-watches-one-dress-and-one-military-aviator-**-SOLD**>.

All Vector Clocks Screenshots, posted at crossgl.com, Apr. 2, 2010, Micro Invention Ltd. [online], [site visited Dec. 15, 2015]. URL: <http://www.crossgl.com/vcl_screenshots.htm>.

GQ, “All Along the Watchtower: Timex Oversize Camper,” <<http://www.gq.com/story/all-along-the-watchtower-timex-oversize-camper>>, dated Apr. 5, 2010, accessed Aug. 28, 2015.

WCA (Analogue) Clock for iPhone, posted at palmtopman.wordpress.com, Nov. 8, 2010, WordPress.com [online], [site visited Dec. 28, 2015]. URL: <<https://palmtopman.wordpress.com/2010/11/08/wca-analogue-clock-for-iphone>>.

Wayback Machine Internet Archive, “Braun BN0021BKKBKG,” <<http://web.archive.org/web/20110404030321/http://www.braun-clocks.com/watch/BN0021BKKBKG>> dated Apr. 4, 2011, accessed Aug. 28, 2015.

Watchtime, “Ressence ZeroSeries,” <<http://www.watchtime.com/wristwatch-industry-news/watches/ressence-zero-series/>> dated Jun. 10, 2011, accessed Aug. 28, 2015.

“IWC Schaffhausen Fliegeruhr Pilot Mark XV Ref-3253 Automatic Mens Watch,” posted at iwcmkxv.tumblr.com, Oct. 1, 2012, [site visited Mar. 28, 2016]. URL: <<http://iwcmkxv.tumblr.com/post/32631137816/iwc-mark-xv>>.

World Clock HD Free for iPad 1.8, posted at downloadcollection.com, Oct. 11, 2012, Download Collection [online], [site visited Dec. 28, 2015]. URL: <<http://www.downloadcollection.com/freeware/asus-world-clock-theme.htm>>.

(56)

References Cited

OTHER PUBLICATIONS

Wayback Machine Internet Archive, "Gallet MultiChron 45," <http://web.archive.org/web/20121128101013/http://www.galletworld.com/gallet_watch_multichron_45.html> dated Nov. 28, 2012, accessed Aug. 28, 2015.

Wayback Machine Internet Archive, "Ressence Type 3," <<http://web.archive.org/web/20130406023121/http://ressence.eu/collection/type-3>> dated Apr. 6, 2013, accessed Aug. 28, 2015.

Wayback Machine Internet Archive, "Blancpain" <<http://web.archive.org/web/20140813060021/http://www.essential-watches.com/watch/Blancpain-2102-1130M-71-Ladys-Leman-Ultra-Silim-Steel-on-Bracelet-with-Black-Dial/12520>> dated Aug. 13, 2014, accessed Aug. 28, 2015.

Smith, Tony, "Smartwatch face off: Pebble, MetaWatch and new hi-tech timepieces" May 22, 2013, posted at theregister.co.uk, [site visited Feb. 20, 2019]. https://www.theregister.co.uk!Print/2013/05/22/roundup_smartwatches.

U.S. Appl. No. 29/663,030, filed Sep. 11, 2018.

U.S. Appl. No. 29/663,060, filed Sep. 11, 2018.

U.S. Appl. No. 29/663,181, filed Sep. 12, 2018.

U.S. Appl. No. 29/682,306, filed Mar. 4, 2019.

U.S. Appl. No. 29/693,172, filed May 31, 2019.

U.S. Appl. No. 29/693,202, filed May 31, 2019.

U.S. Appl. No. 29/703,944, filed Aug. 30, 2019.

U.S. Appl. No. 29/704,999, filed Sep. 9, 2019.

U.S. Appl. No. 29/708,486, filed Oct. 7, 2019.

* cited by examiner

