



US00D951265S

(12) **United States Design Patent** (10) **Patent No.:** **US D951,265 S**
Lin et al. (45) **Date of Patent:** **** May 10, 2022**

(54) **DATA ACCESSING DEVICE**

FOREIGN PATENT DOCUMENTS

(71) Applicant: **Kingston Digital, Inc.**, Fountain Valley, CA (US)

WO DM/089872-001 3/2017

(72) Inventors: **Yi-Ting Lin**, Hsinchu (TW); **Jimmy Huynh**, Fountain Valley, CA (US)

OTHER PUBLICATIONS

Office Action to the corresponding Taiwan Patent Application rendered dated Dec. 7, 2020, 3 pages.

(73) Assignee: **Kingston Digital, Inc.**, Fountain Valley, CA (US)

* cited by examiner

(**) Term: **15 Years**

Primary Examiner — Angela J Lee

(74) *Attorney, Agent, or Firm* — Skaar Ulbrich Macari, P.A.

(21) Appl. No.: **29/750,295**

(57) **CLAIM**

(22) Filed: **Sep. 11, 2020**

We claim the ornamental design for a data accessing device, as shown and described.

(51) **LOC (13) Cl.** **14-03**

DESCRIPTION

(52) **U.S. Cl.**

USPC **D14/480.7**

(58) **Field of Classification Search**

USPC D14/480.1–480.7, 435.1, 411, 433, 436, D14/484.1, 137, 155, 203.1–203.8, 240, D14/242, 496, 474; D13/133, 154

CPC H05K 5/0278; G06K 19/07732

See application file for complete search history.

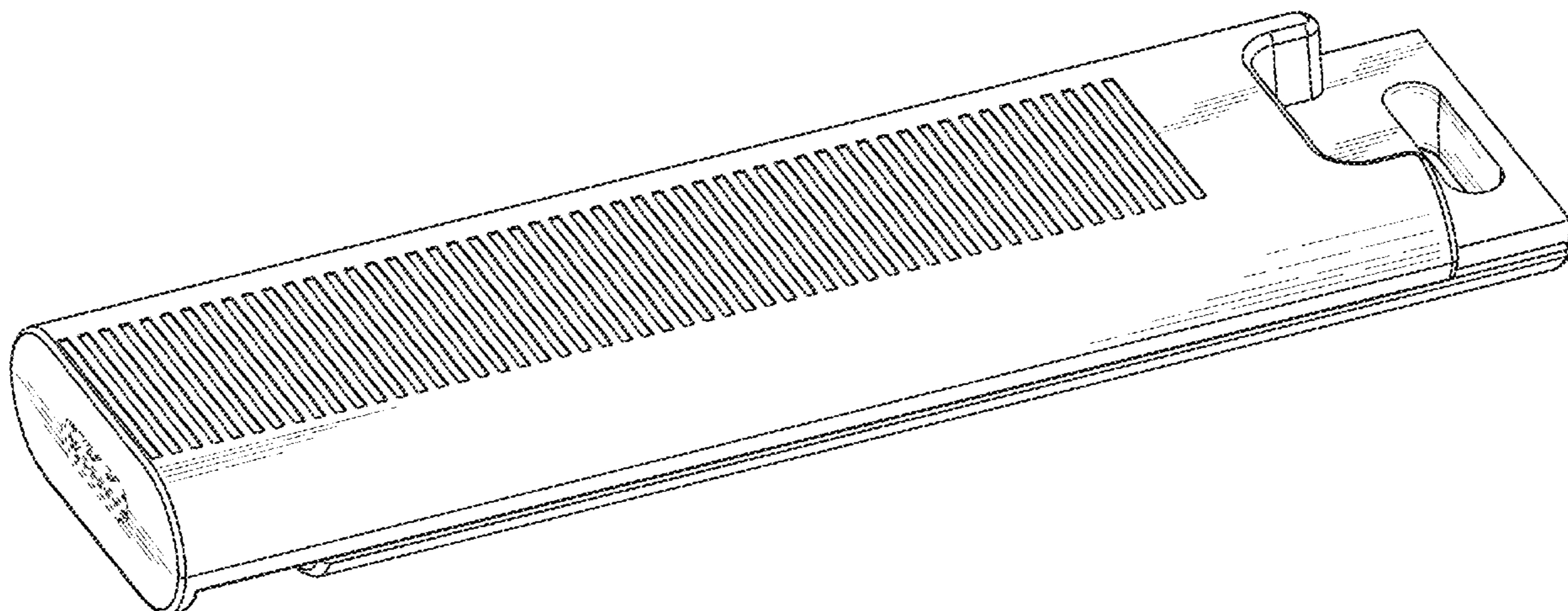
(56) **References Cited**

U.S. PATENT DOCUMENTS

D602,941 S	*	10/2009	Lo	D14/480.7
D620,946 S	*	8/2010	Lo	D14/480.5
D624,920 S	*	10/2010	Sheppard	D14/435.1
D654,083 S	*	2/2012	Lo	D14/480.7
D669,072 S	*	10/2012	Huang	D14/356
D669,904 S	*	10/2012	Ni	D14/480.7
D673,575 S	*	1/2013	Lin	D14/480.5
D677,266 S	*	3/2013	Chen	D14/480.5
D687,042 S	*	7/2013	Yoneta	D14/480.5
D778,915 S	*	2/2017	Skelton	D14/435.1
D842,307 S	*	3/2019	Lin	D14/480.5
D886,113 S	*	6/2020	Zhou	D14/480.1
D906,302 S	*	12/2020	Yu	D14/240

FIG. 1 is a left front perspective view of a data accessing device showing the claimed design;
 FIG. 2 is left rear perspective view thereof;
 FIG. 3 is a front elevational view of thereof;
 FIG. 4 is a rear elevational view of thereof;
 FIG. 5 is a left side elevational view of thereof;
 FIG. 6 is a right side elevational view of thereof;
 FIG. 7 is a top plan view of thereof;
 FIG. 8 is a bottom plan view of thereof;
 FIG. 9 is a left front perspective view thereof, showing the device in a usage state;
 FIG. 10 is a left rear perspective view of FIG. 9;
 FIG. 11 is a front elevational view of FIG. 9;
 FIG. 12 is a rear elevational view of FIG. 9;
 FIG. 13 is a left side elevational view of FIG. 9;
 FIG. 14 is a right side elevational view of FIG. 9;
 FIG. 15 is a top plan view of FIG. 9; and,
 FIG. 16 is a bottom plan view of FIG. 9.
 The broken lines show portions of the data accessing device that form no part of the claimed design.

1 Claim, 12 Drawing Sheets



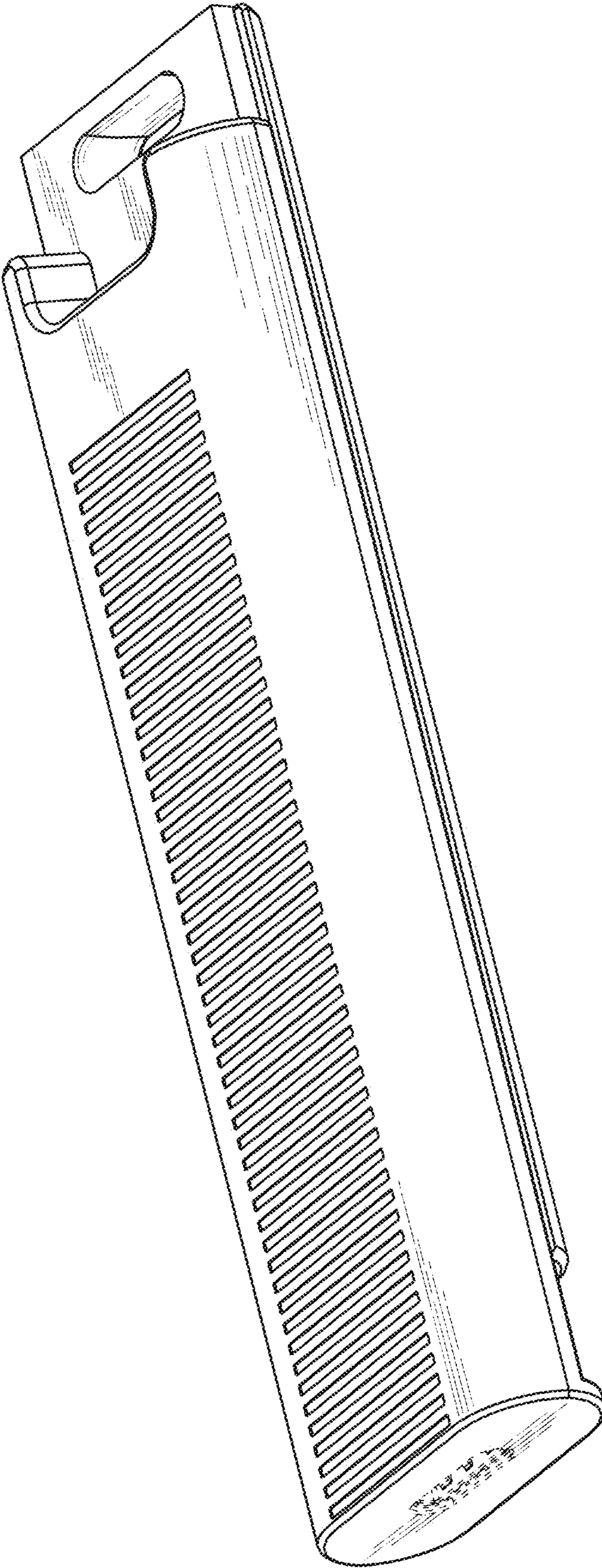


FIG. 1

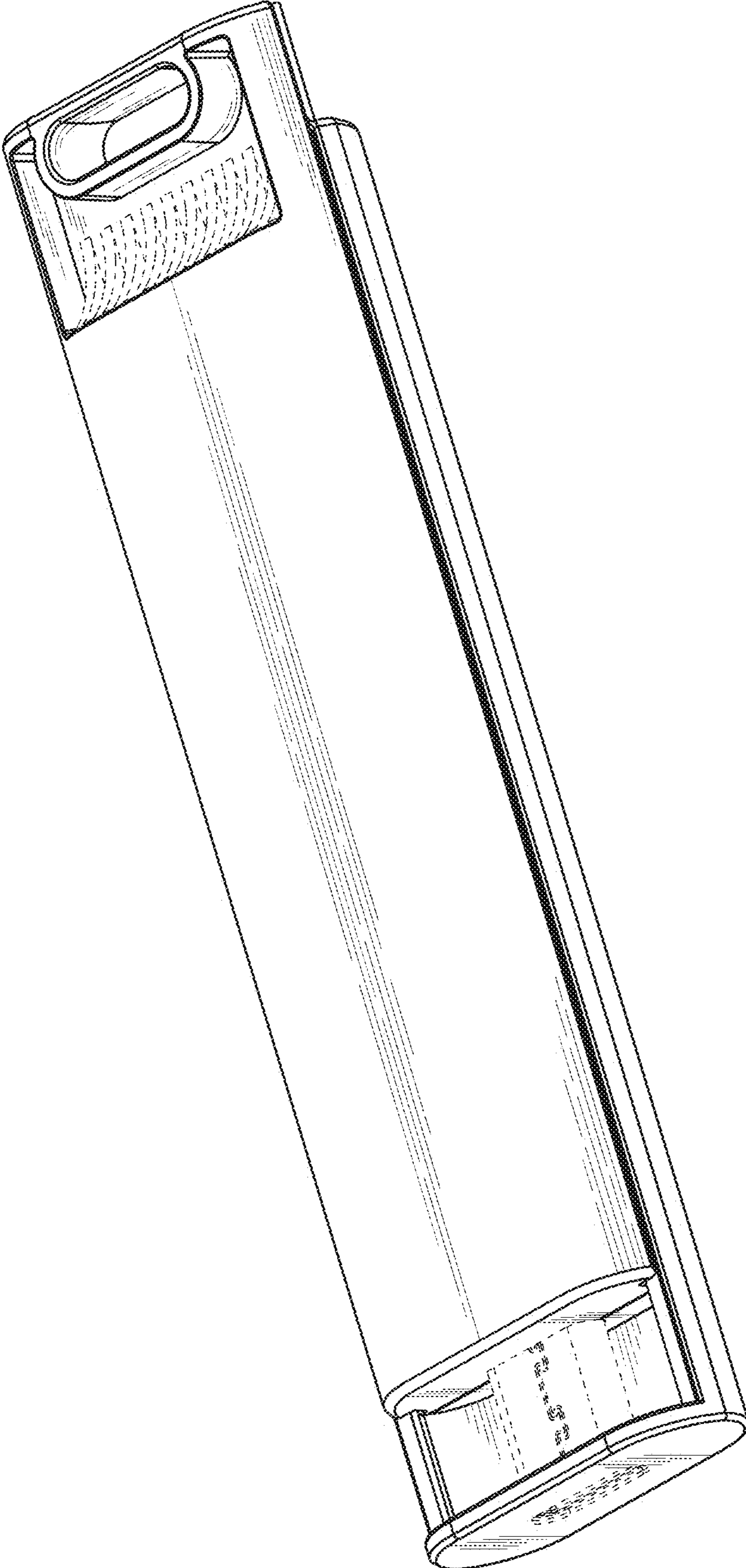


FIG. 2

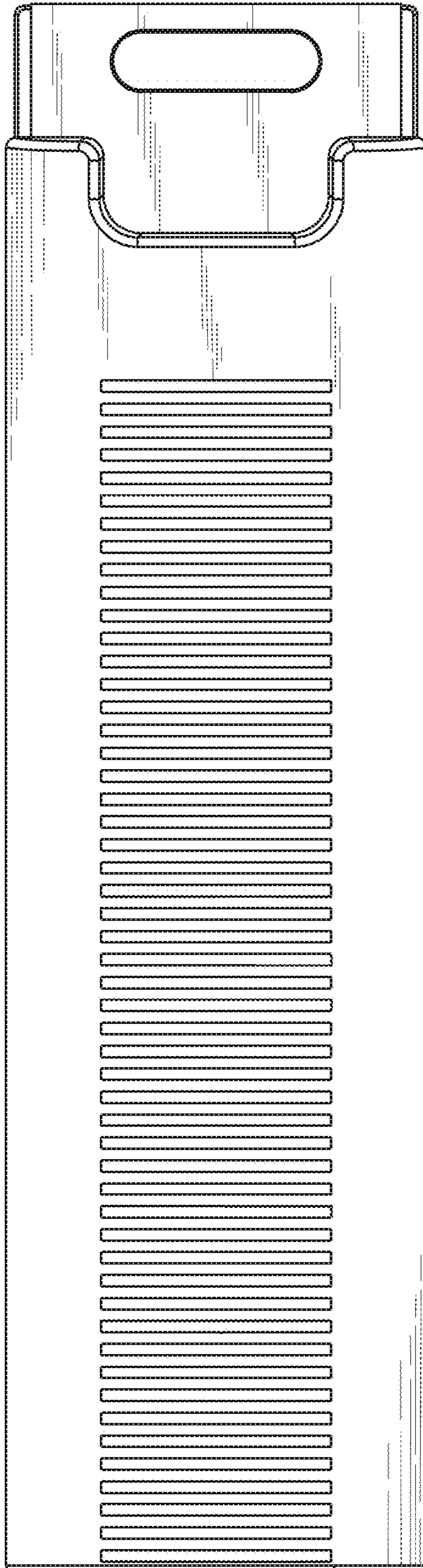


FIG. 3

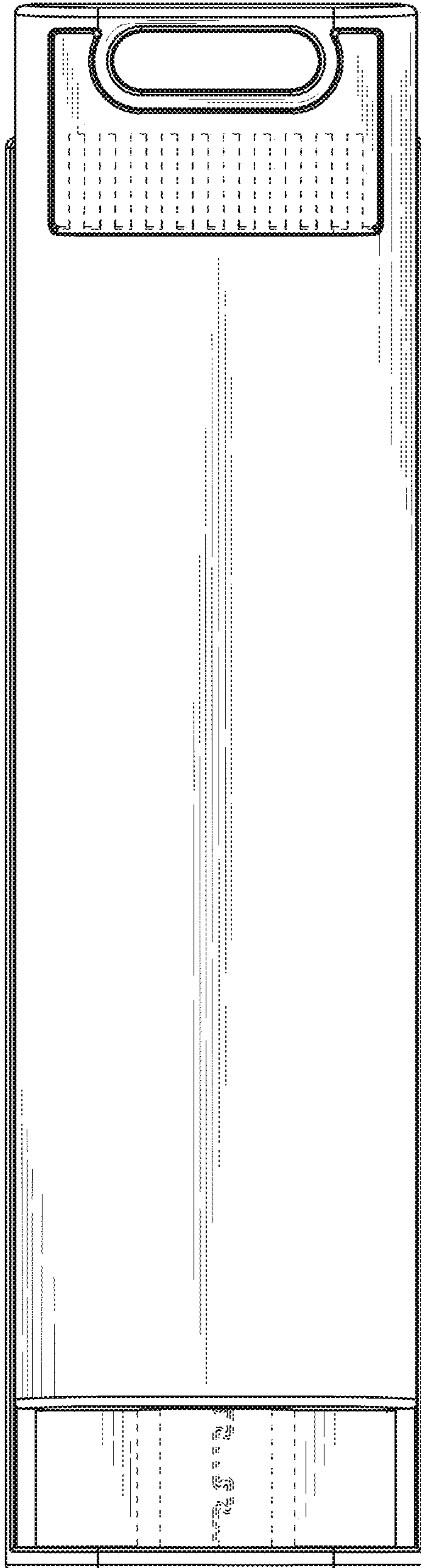


FIG. 4

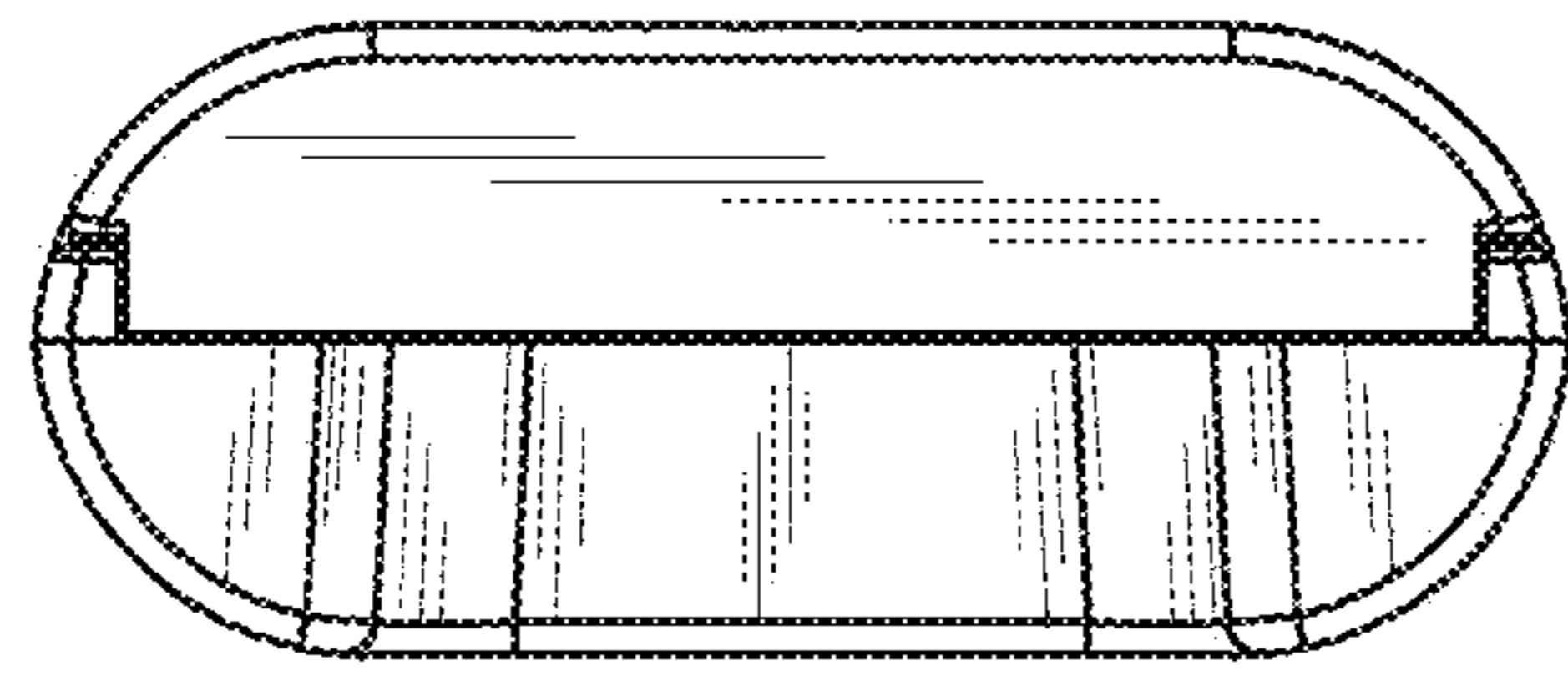


FIG. 6

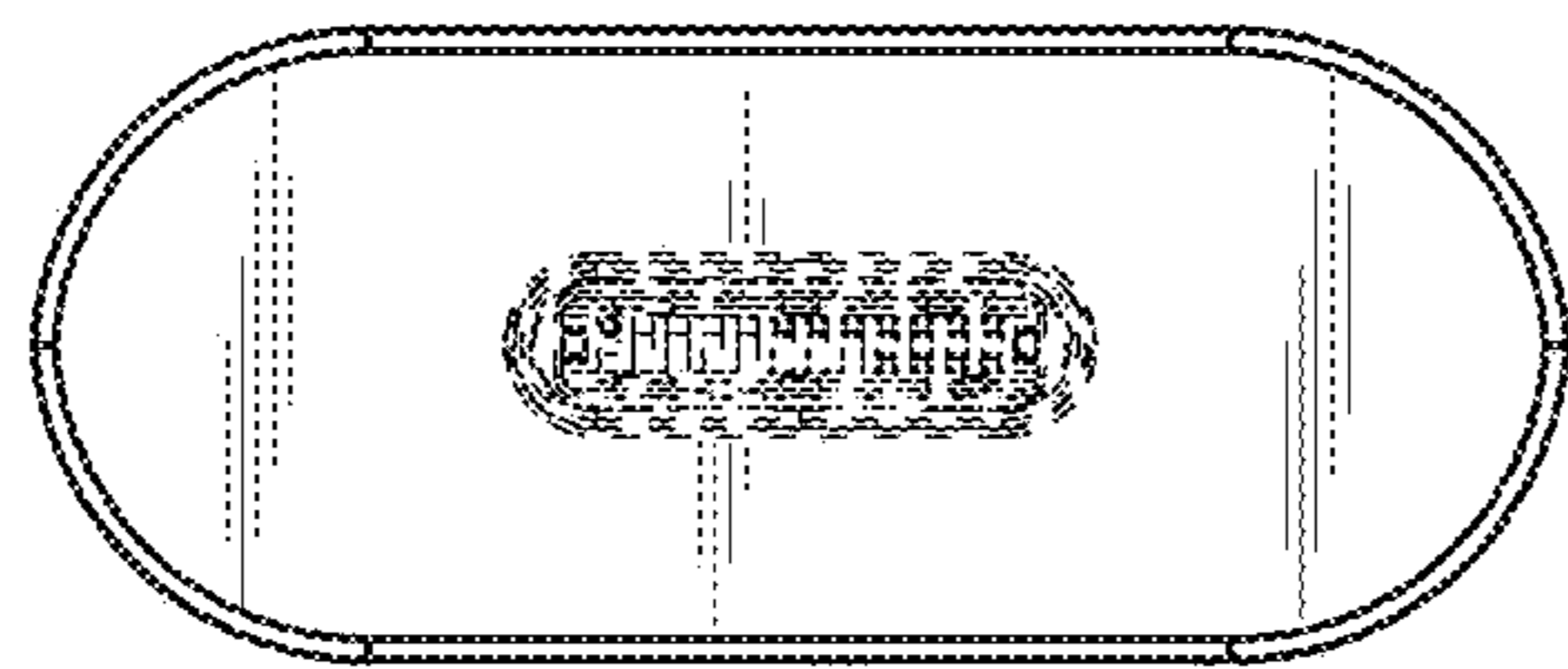


FIG. 5

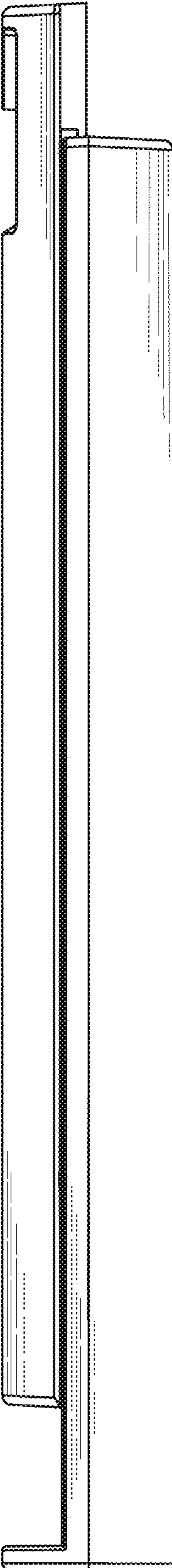


FIG. 7

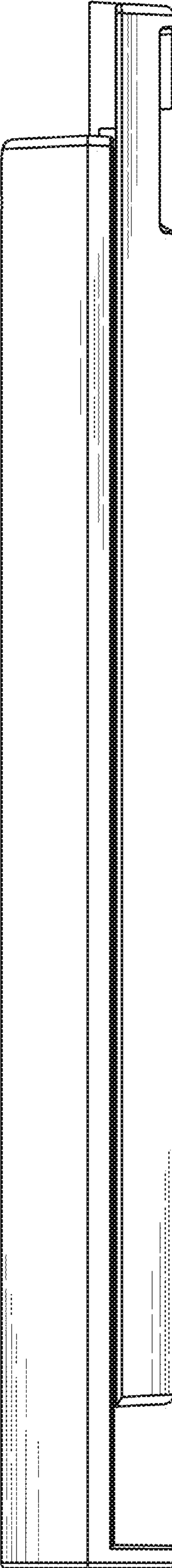


FIG. 8

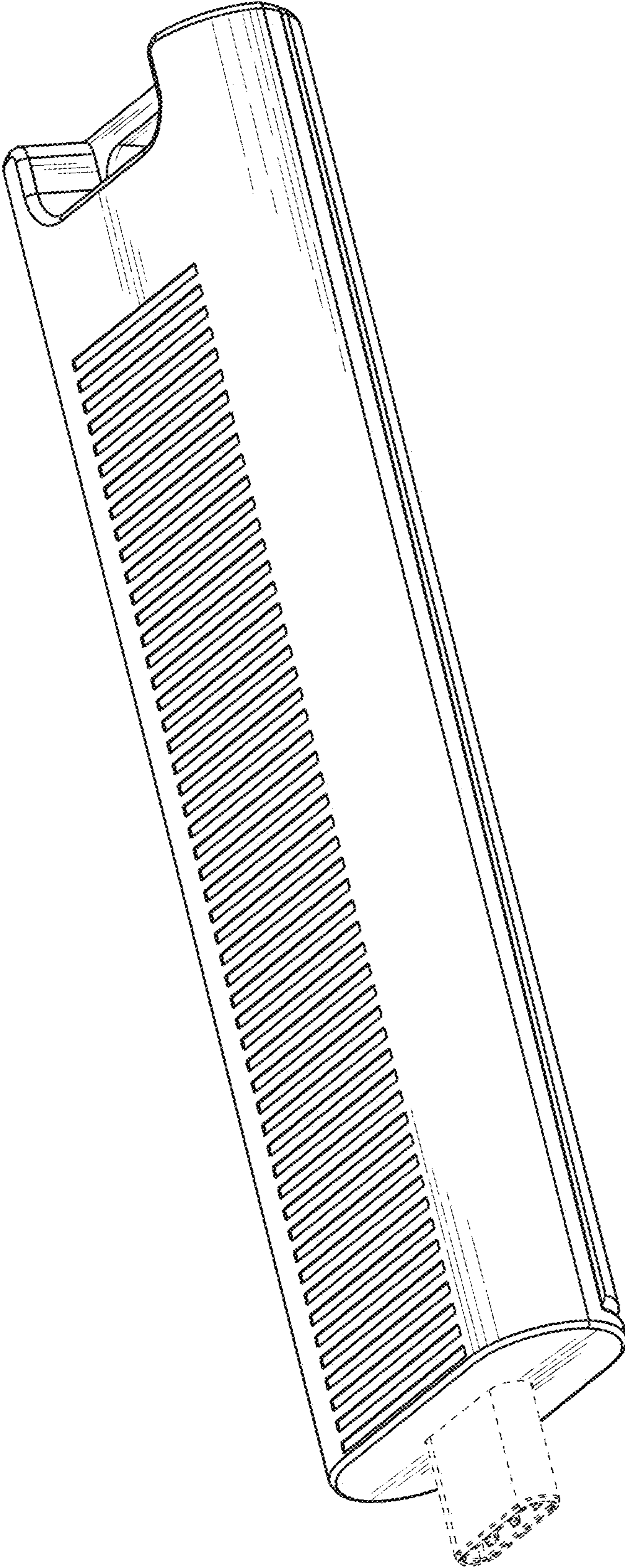


FIG. 9

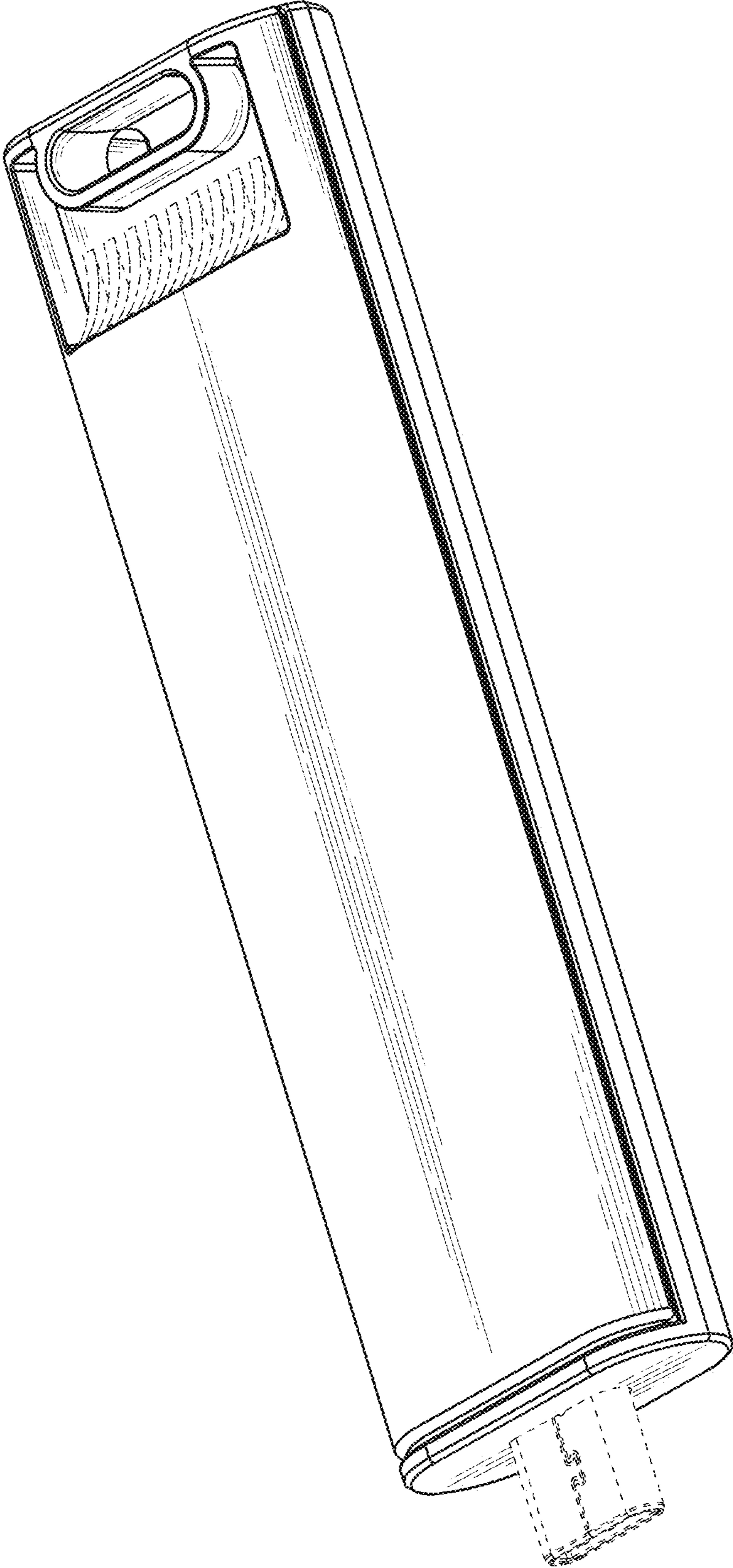


FIG. 10

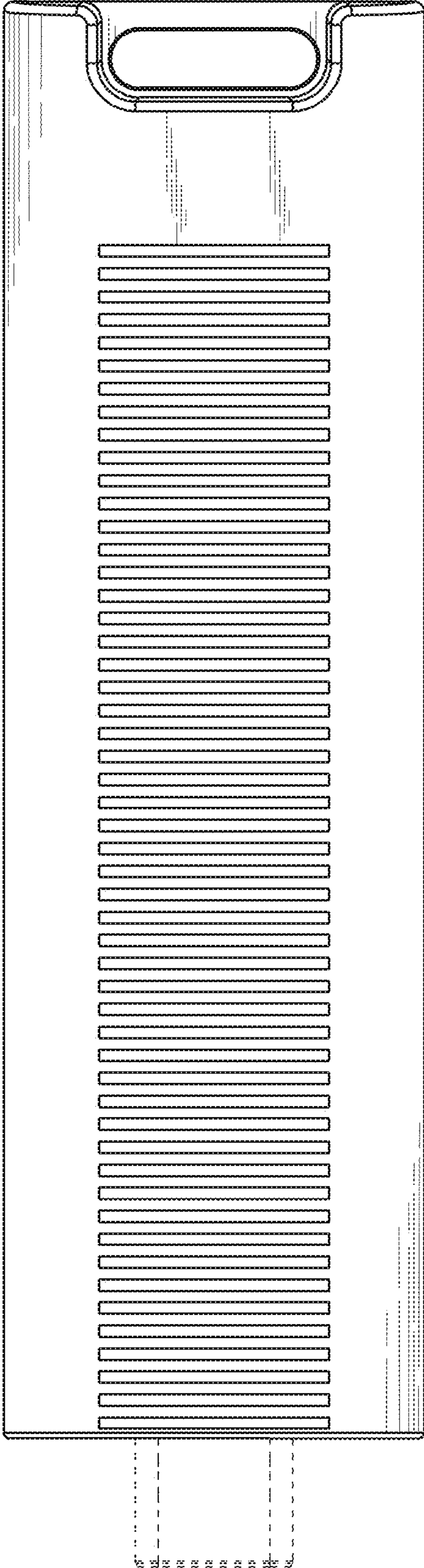


FIG. 11

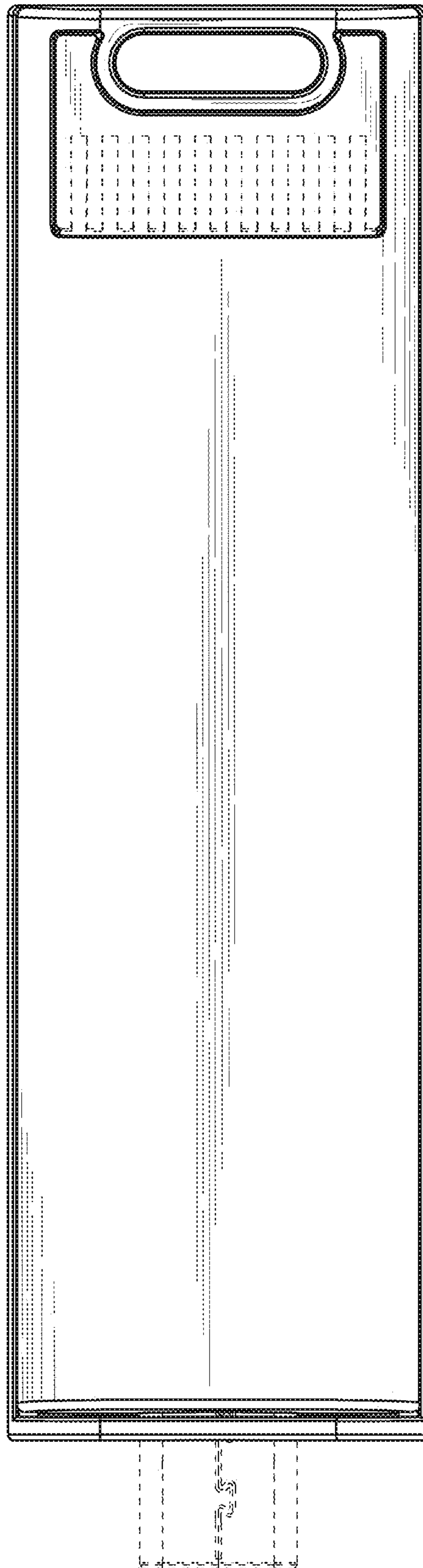


FIG. 12

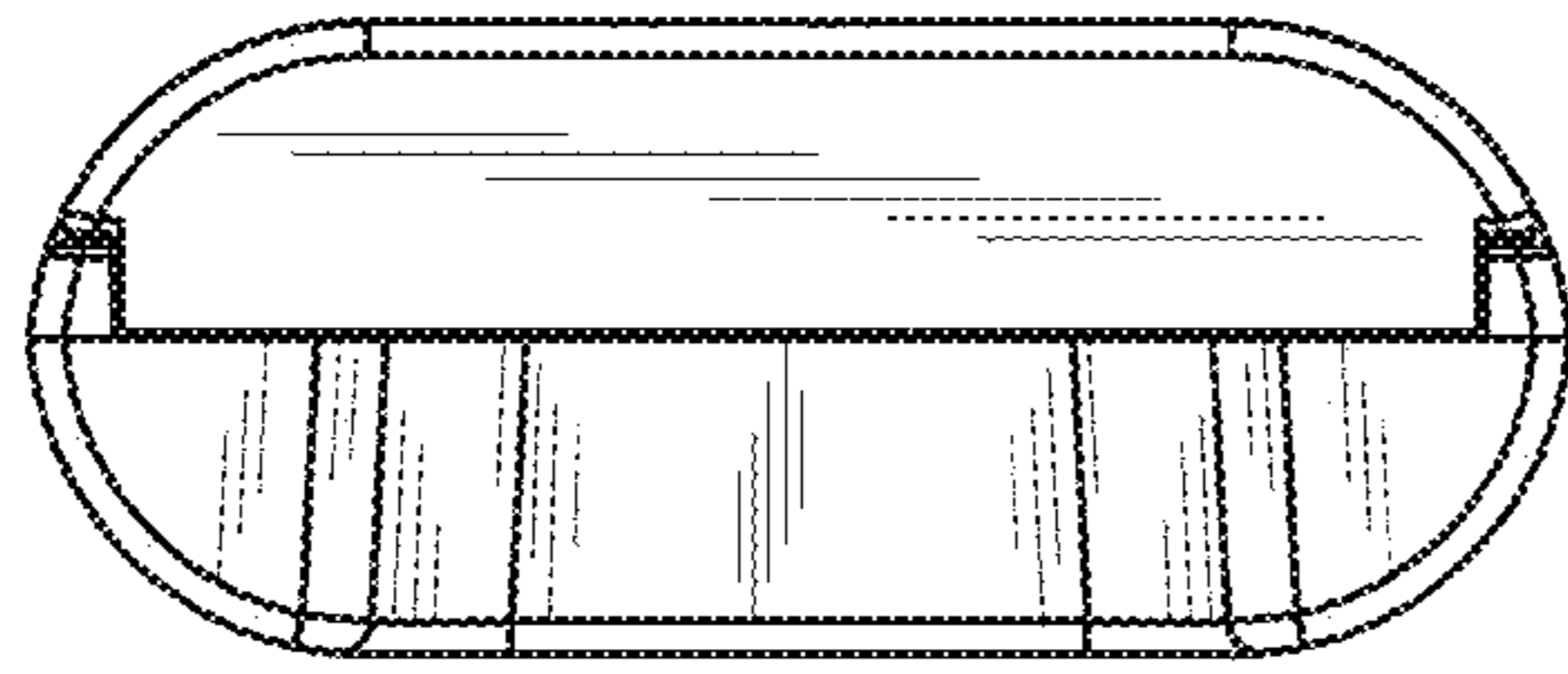


FIG. 14

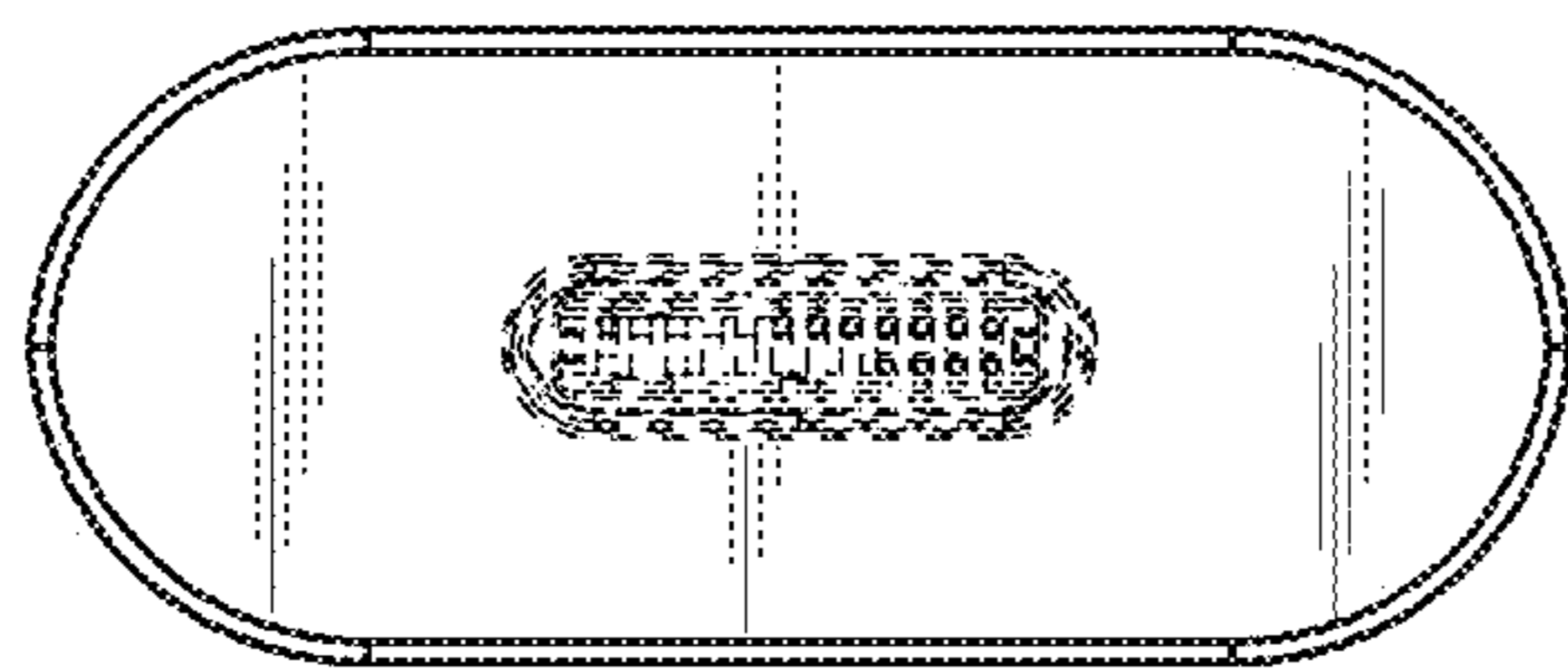


FIG. 13

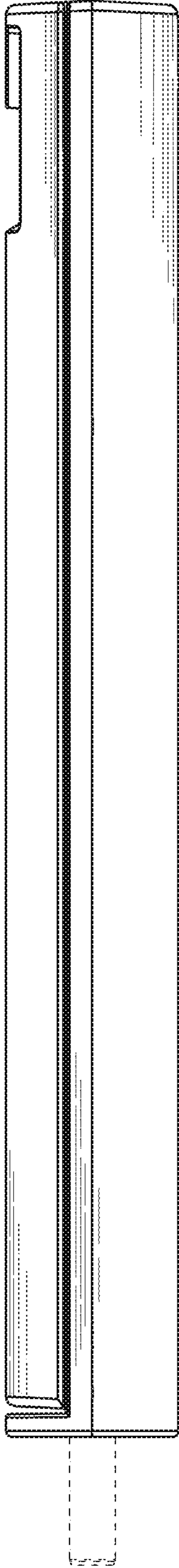


FIG. 15

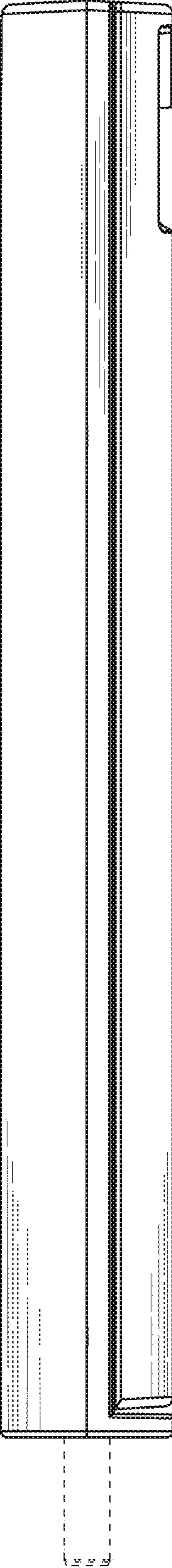


FIG. 16