



US00D951263S

(12) **United States Design Patent**
Morisawa

(10) **Patent No.:** **US D951,263 S**

(45) **Date of Patent:** **** May 10, 2022**

(54) **STAND FOR ELECTRONIC DEVICE**

(71) Applicant: **SONY INTERACTIVE ENTERTAINMENT INC.**, Tokyo (JP)

(72) Inventor: **Yujin Morisawa**, Tokyo (JP)

(73) Assignee: **SONY INTERACTIVE ENTERTAINMENT INC.**, Tokyo (JP)

(**) Term: **15 Years**

(21) Appl. No.: **29/757,892**

(22) Filed: **Nov. 10, 2020**

(30) **Foreign Application Priority Data**

May 22, 2020 (JP) 2020-010090 D

(51) **LOC (13) Cl.** **08-07**

(52) **U.S. Cl.**
USPC **D14/447**

(58) **Field of Classification Search**
USPC D14/447, 432, 434, 439, 440, 451, 452,
D14/457, 239, 253; D8/363, 373, 380;
(Continued)

(56) **References Cited**

U.S. PATENT DOCUMENTS

D534,912 S * 1/2007 Tagliabue D14/434
D666,204 S * 8/2012 Han D14/447
(Continued)

Primary Examiner — Angela J Lee

(74) *Attorney, Agent, or Firm* — Michael Best & Friedrich LLP

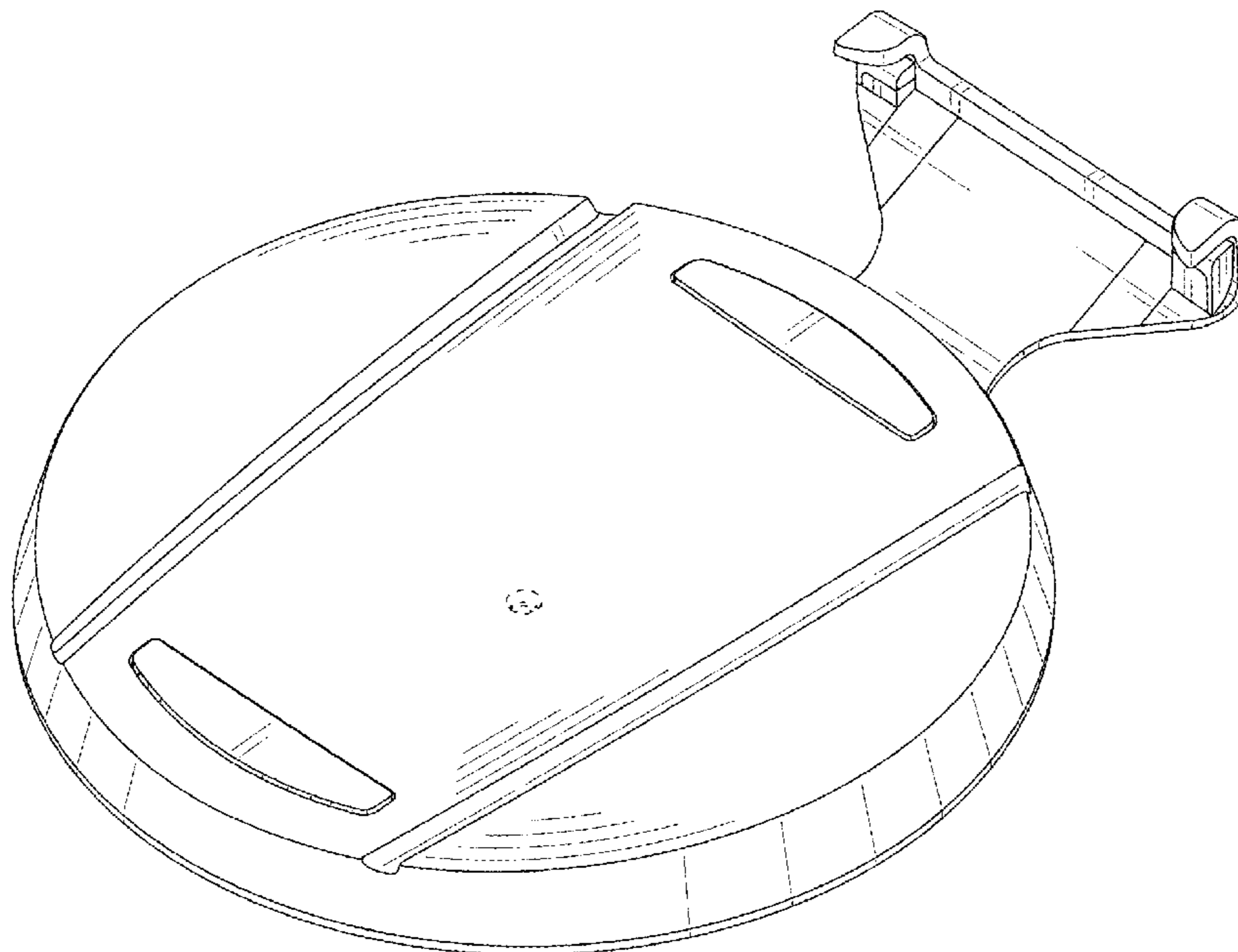
(57) **CLAIM**

The ornamental design for a stand for electronic device, as shown and described.

DESCRIPTION

FIG. 1 is a perspective view of front, top and right side of a stand for electronic device showing my new design; FIG. 2 is a perspective view of rear, bottom and right side thereof; FIG. 3 is a front view thereof; FIG. 4 is a rear view thereof; FIG. 5 is a left side view thereof; FIG. 6 is a right side view thereof; FIG. 7 is a top view thereof; FIG. 8 is a bottom view thereof; FIG. 9 is a first reference perspective view of usage thereof; FIG. 10 is a second reference perspective view of usage thereof; FIG. 11 is a perspective view of a front, top and right side showing an alternate position; FIG. 12 is a perspective view of rear, bottom and right side showing the alternate position thereof; FIG. 13 is a front view showing the alternate position thereof; FIG. 14 is a rear view showing the alternate position thereof; FIG. 15 is a left side view showing the alternate position thereof; FIG. 16 is a right side view showing the alternate position thereof; FIG. 17 is a top view showing the alternate position thereof; FIG. 18 is a bottom view showing the alternate position thereof; FIG. 19 is a first reference perspective view of usage showing the alternate position thereof; and, FIG. 20 is a second reference perspective view of usage showing the alternate position thereof. The broken lines show portions of the article or environment that form no part of the claimed design.

1 Claim, 16 Drawing Sheets



(58) **Field of Classification Search**

USPC D6/406.3, 406.4, 406.5, 406.6; D12/415;
D21/333, 332

CPC A47B 21/04; A47B 2097/006; A47B
2097/005; A47B 2023/049; A45C
2011/002; A45C 2011/003; F16M
2200/00; F16M 13/00

See application file for complete search history.

(56) **References Cited**

U.S. PATENT DOCUMENTS

D719,959 S	*	12/2014	Vogel	D14/447
D797,749 S	*	9/2017	Awad	D14/447
D846,554 S	*	4/2019	Burmester	D14/447
D870,736 S	*	12/2019	Lederer	D14/447
D877,637 S	*	3/2020	Haag	D10/98
D918,927 S	*	5/2021	Senatorov	D14/447
D935,463 S	*	11/2021	Wang	D14/434

* cited by examiner

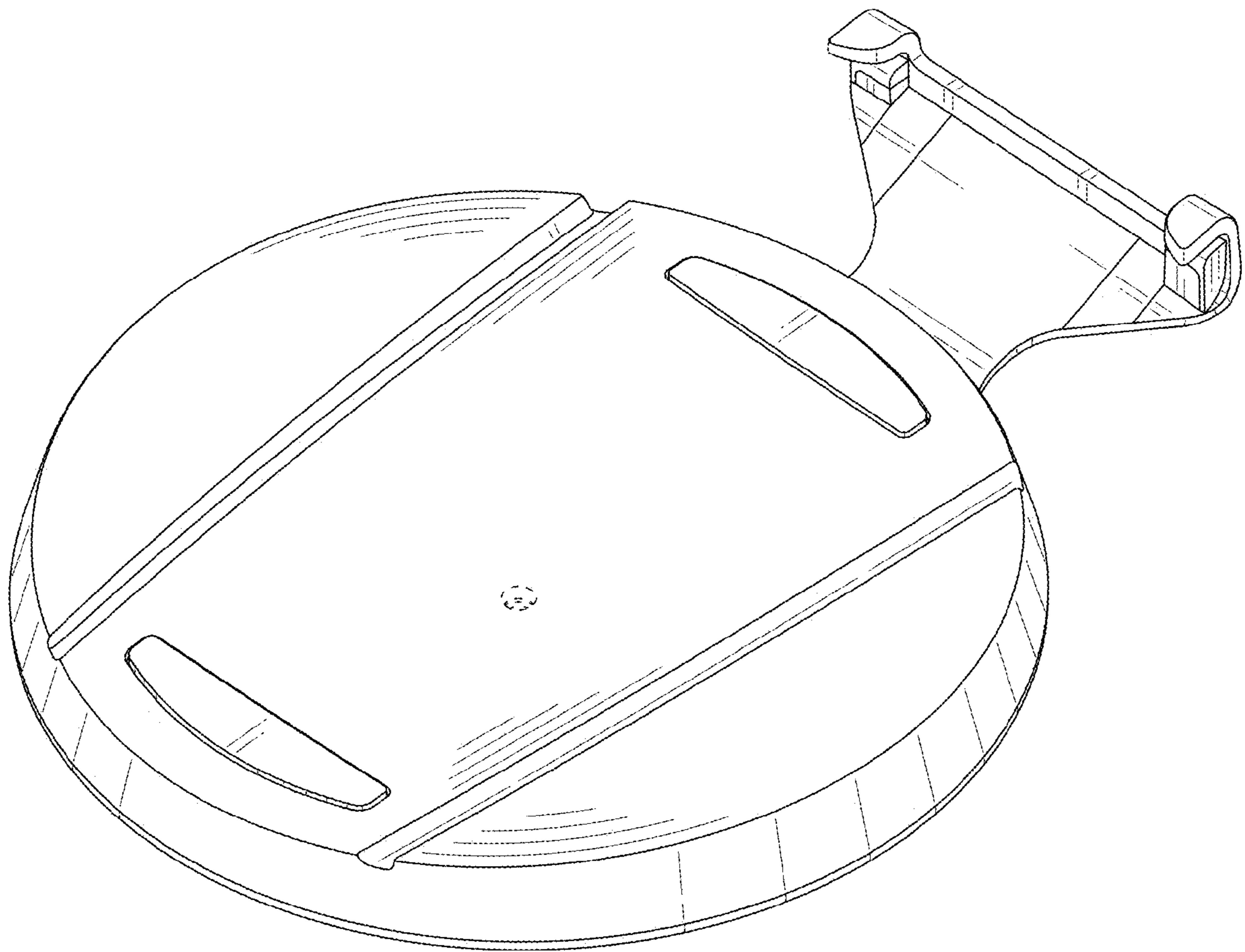


FIG. 1

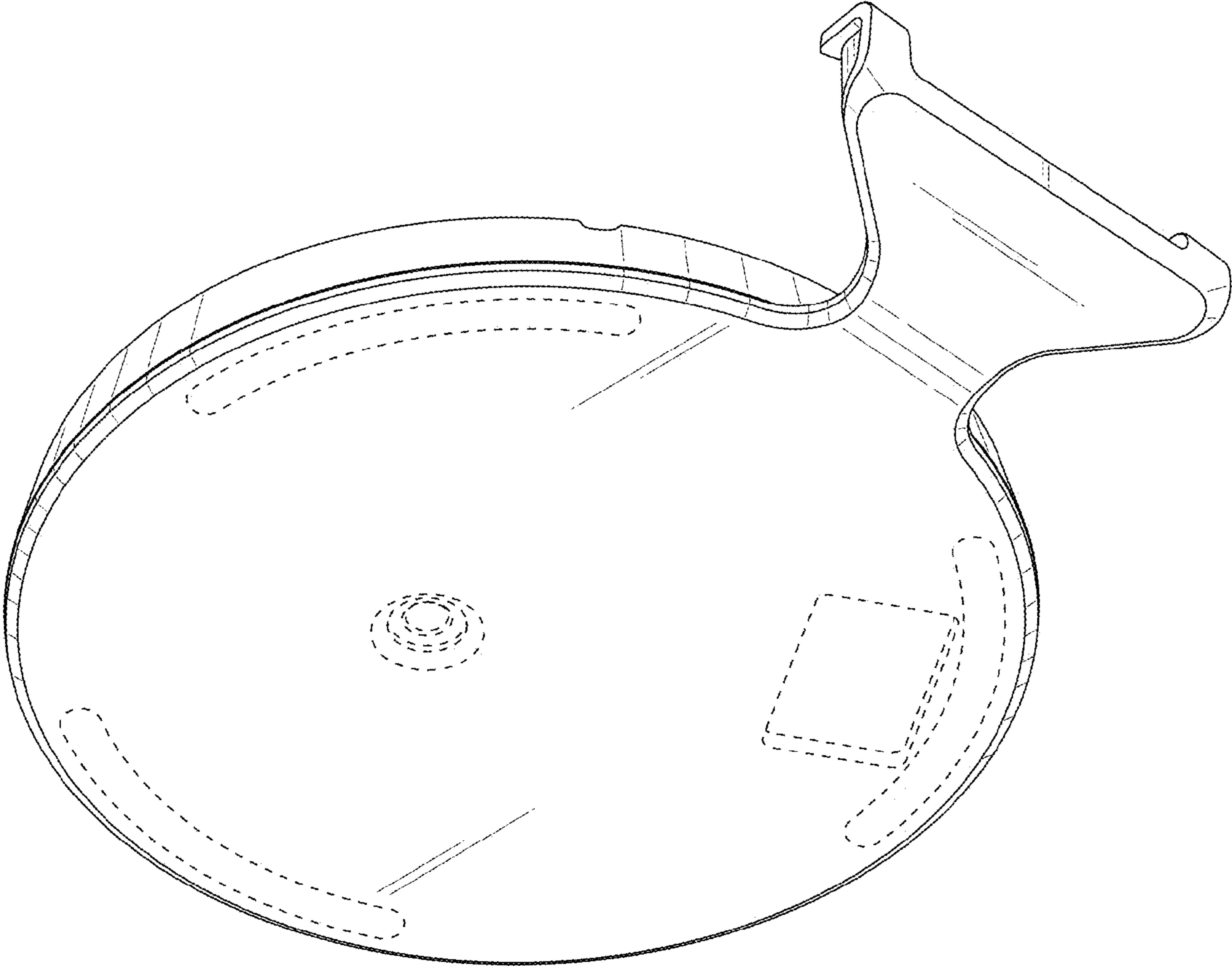


FIG. 2

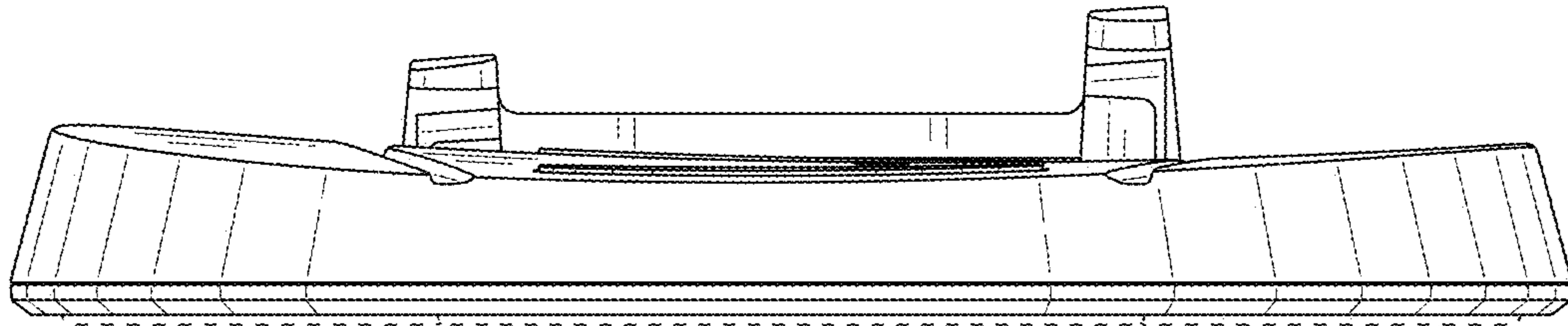


FIG. 3

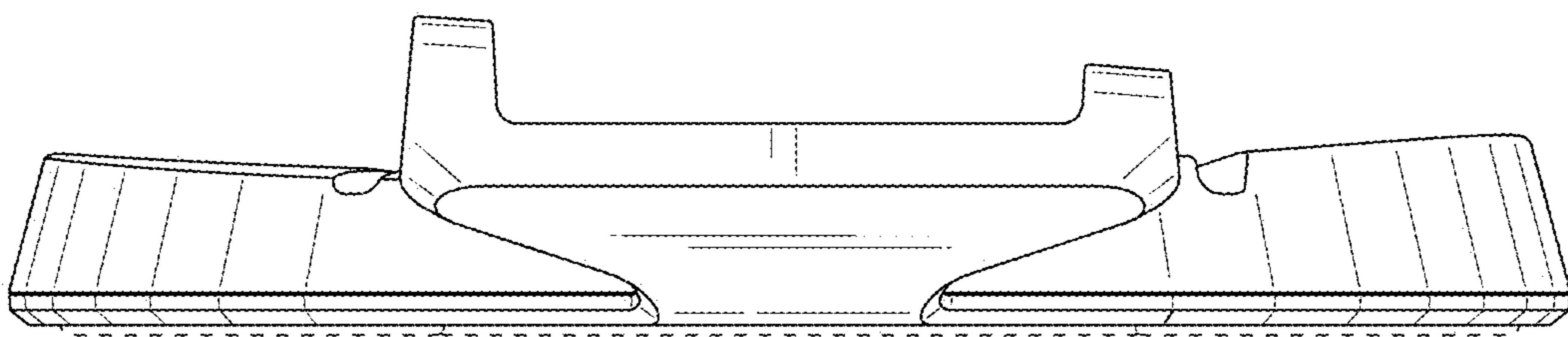


FIG. 4

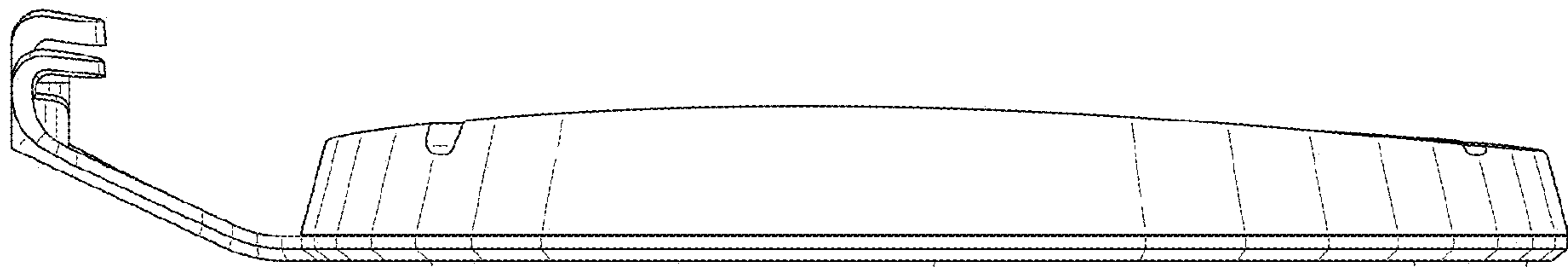


FIG. 5

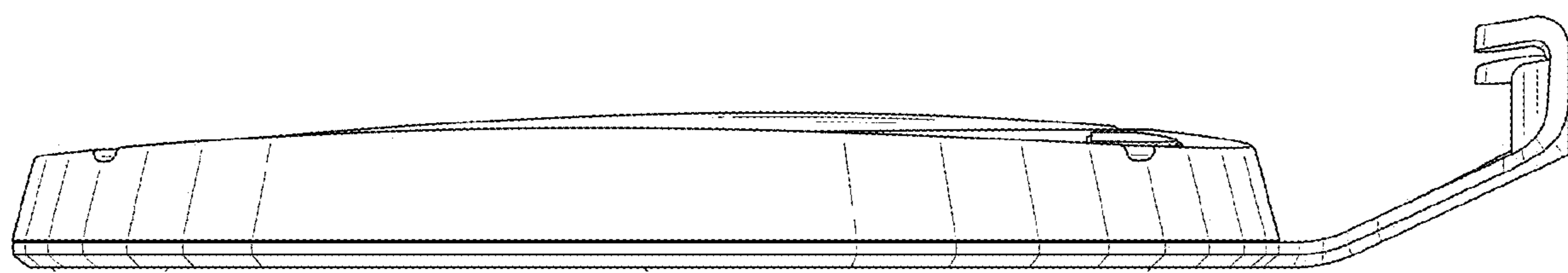


FIG. 6

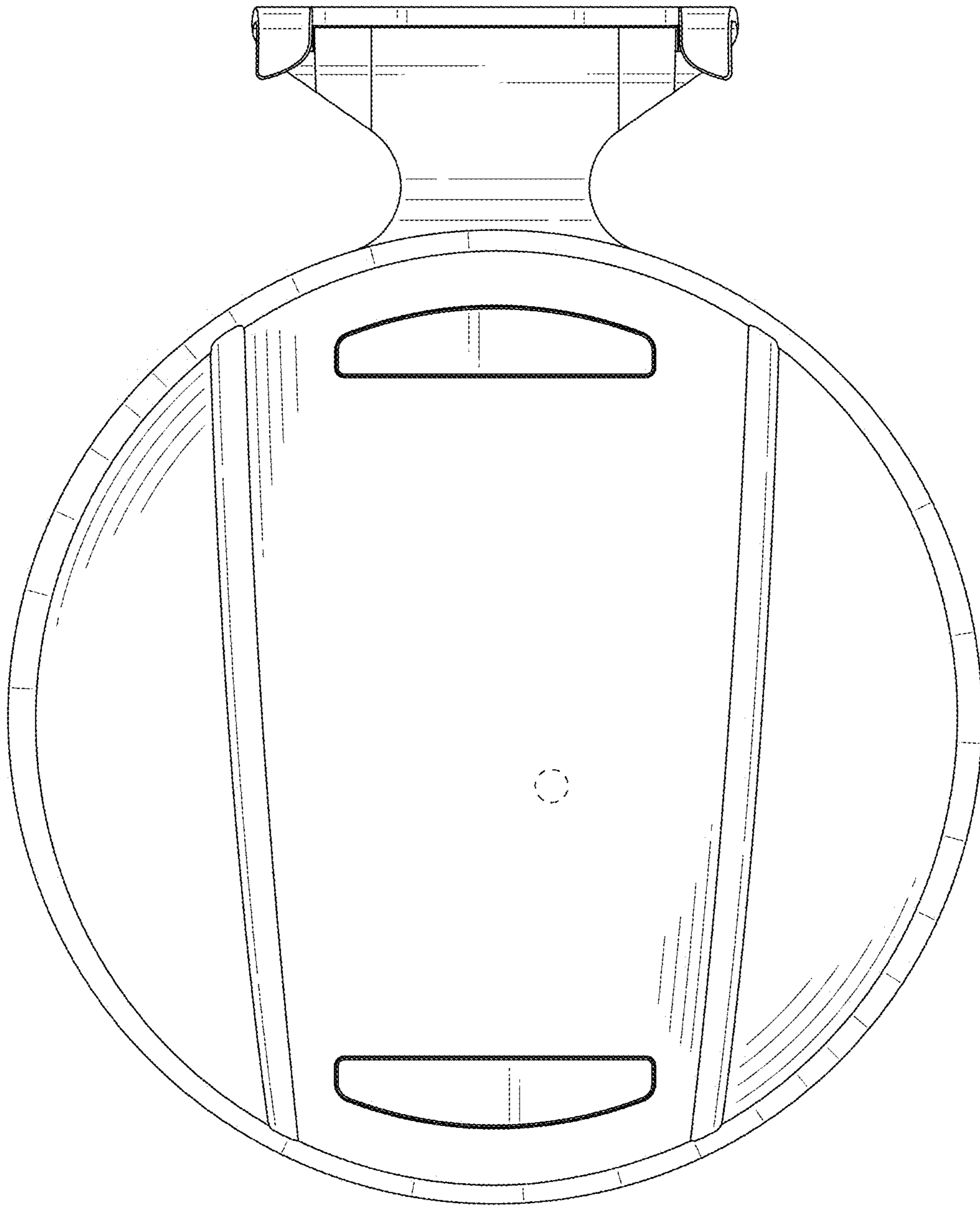


FIG. 7

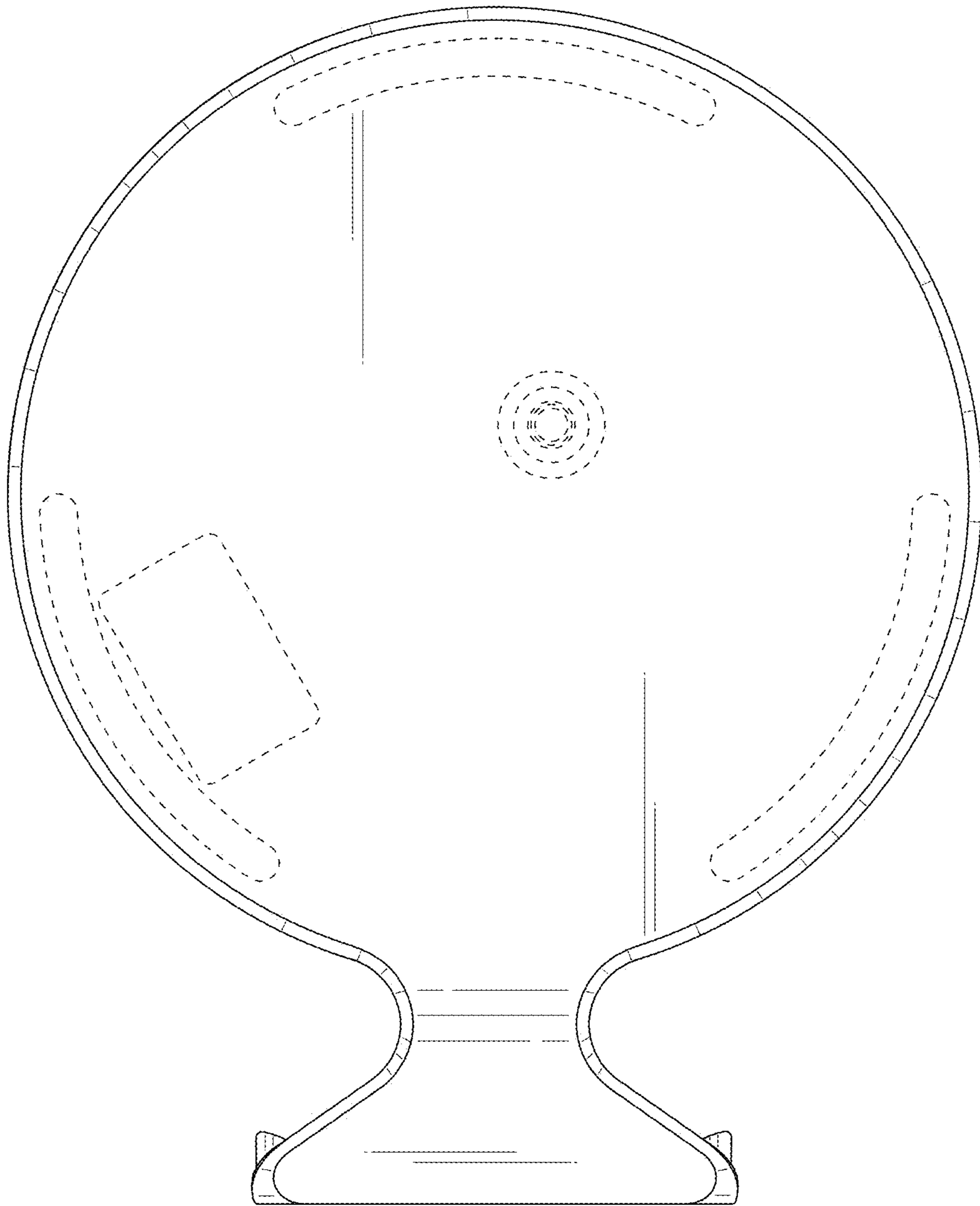


FIG. 8

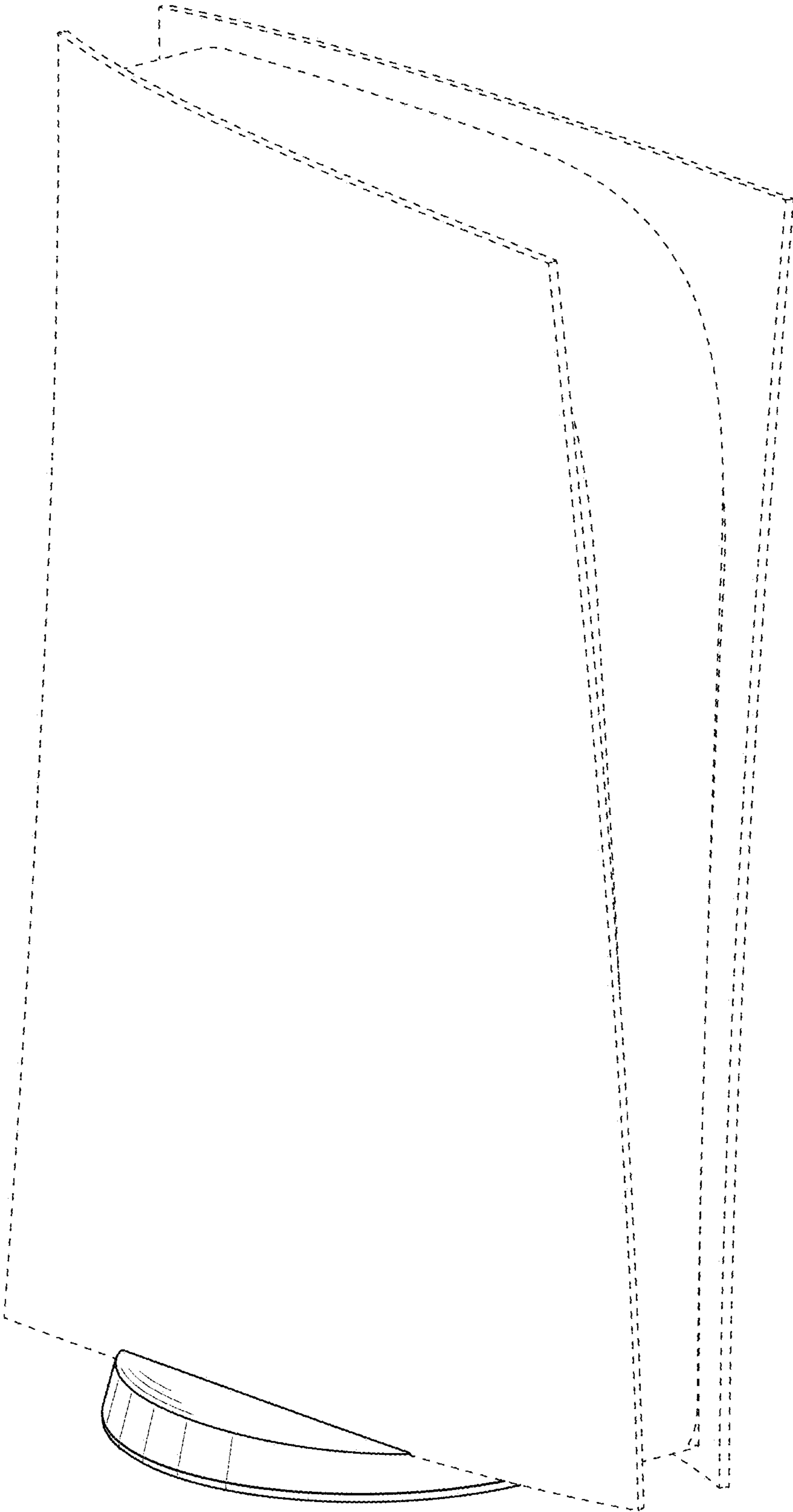


FIG. 9

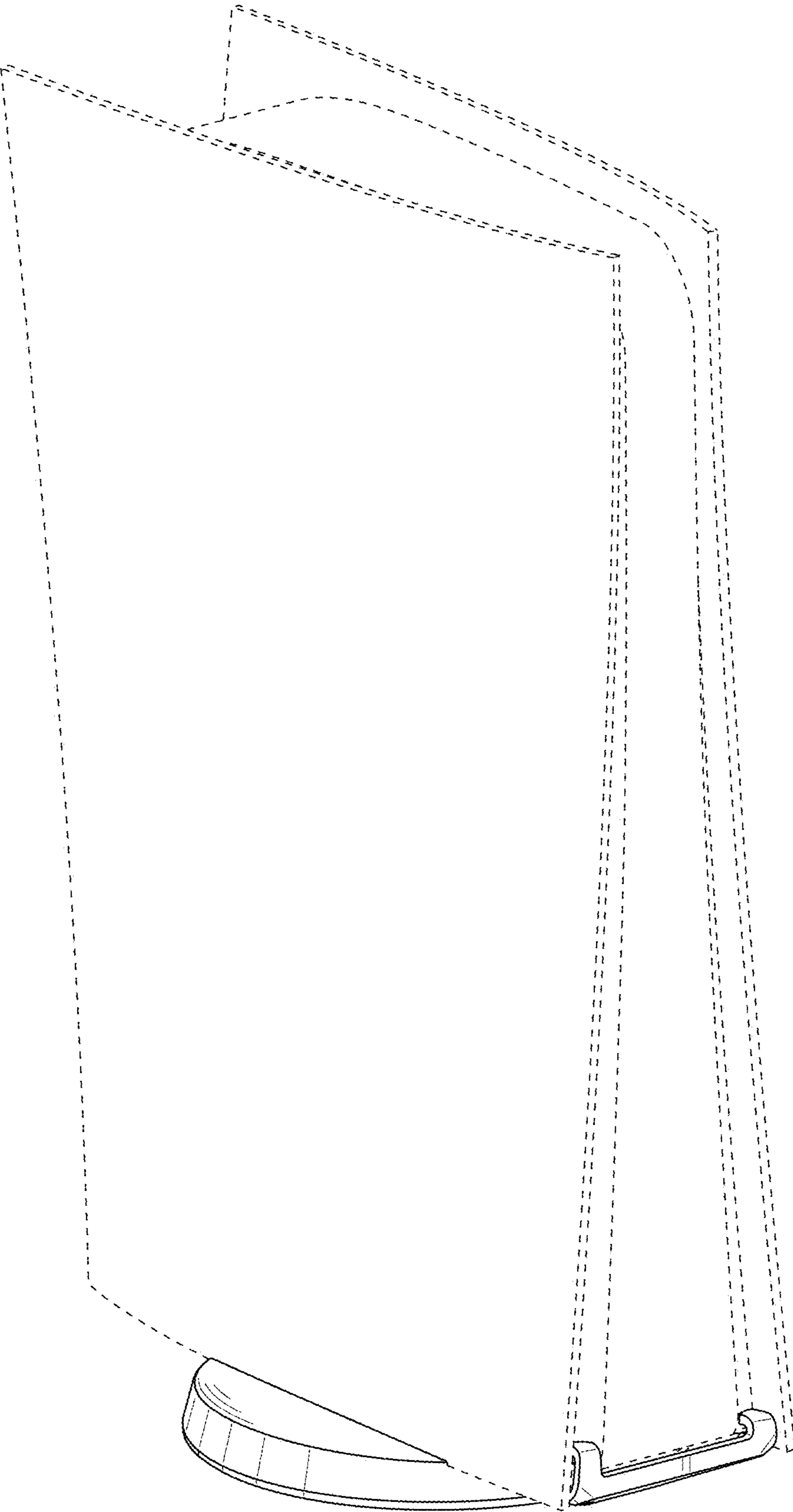


FIG. 10

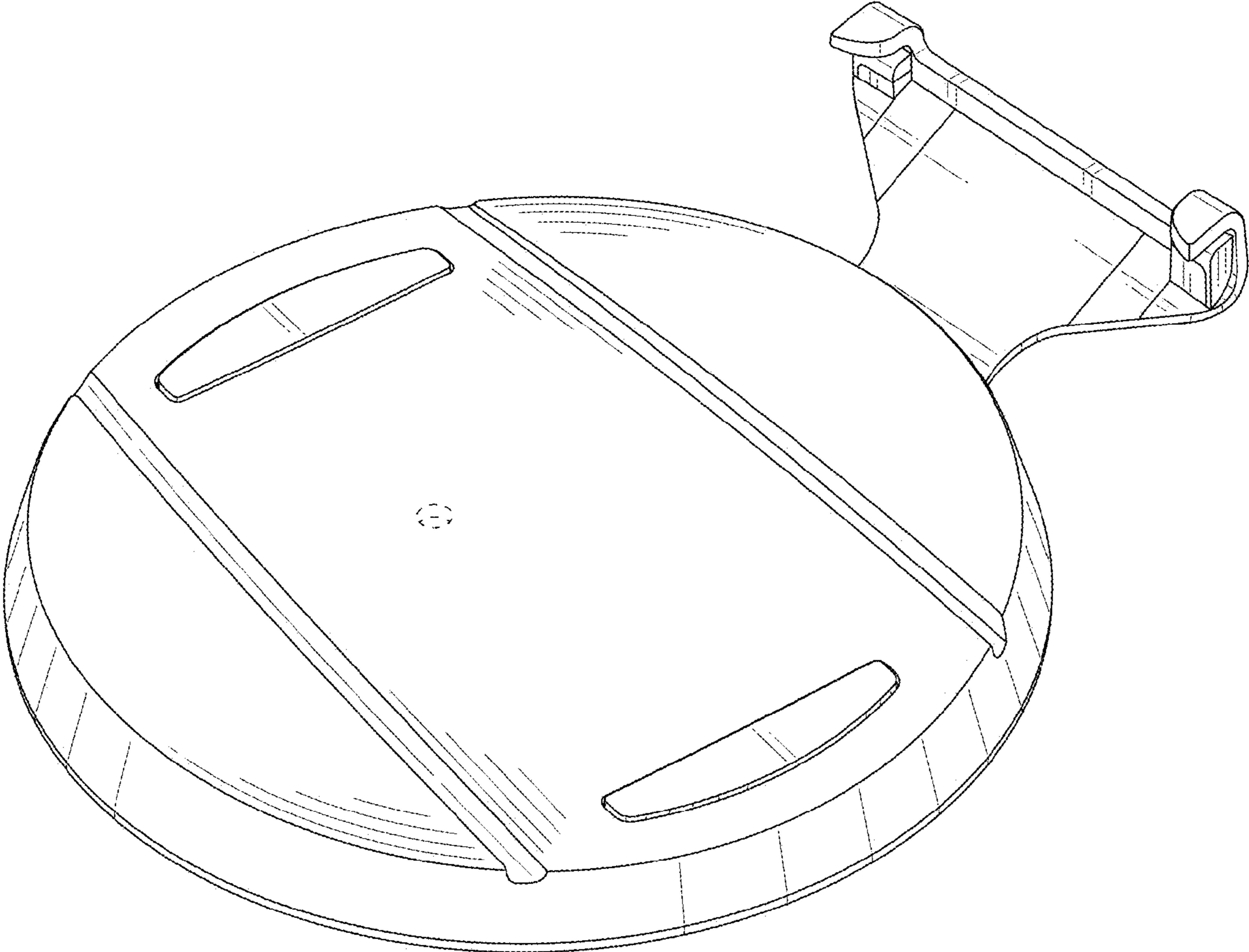


FIG. 11

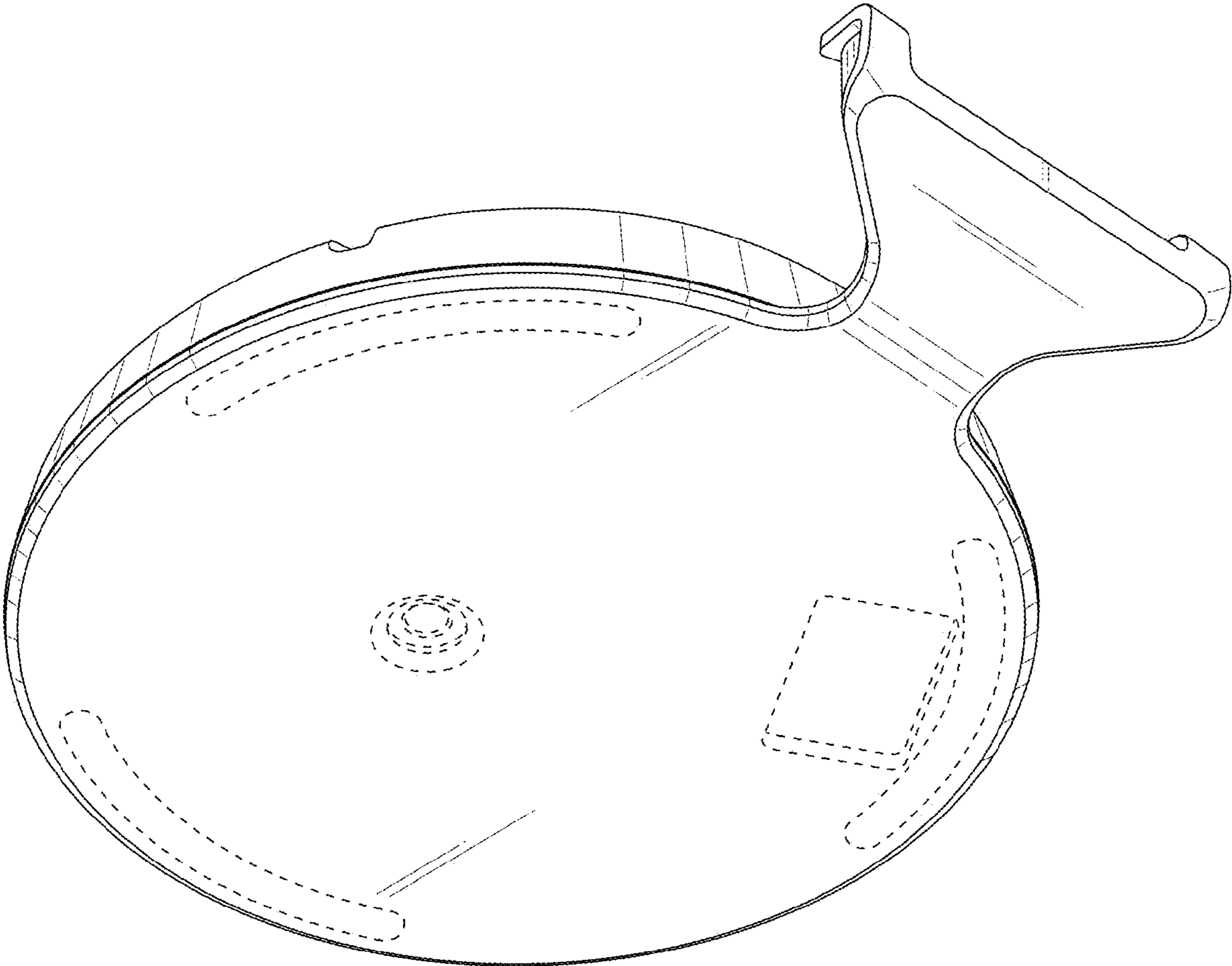


FIG. 12

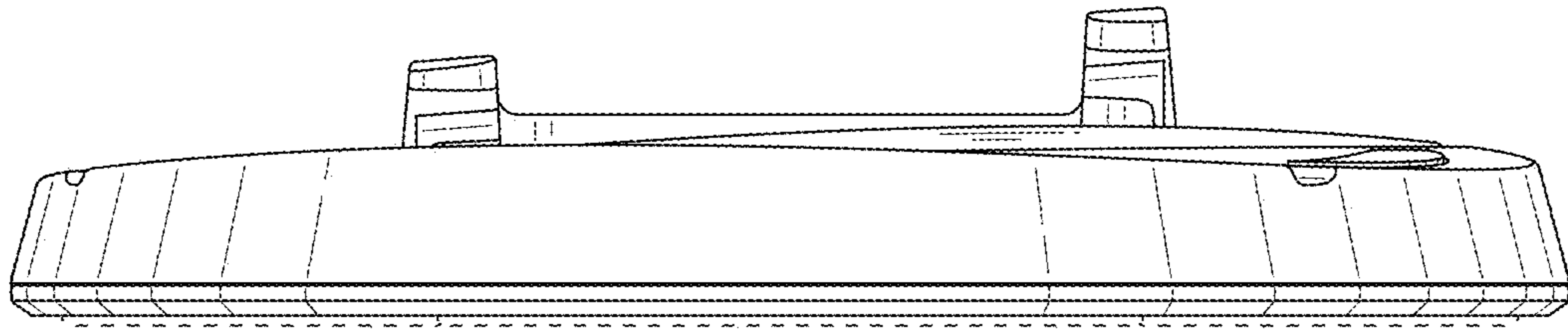


FIG. 13

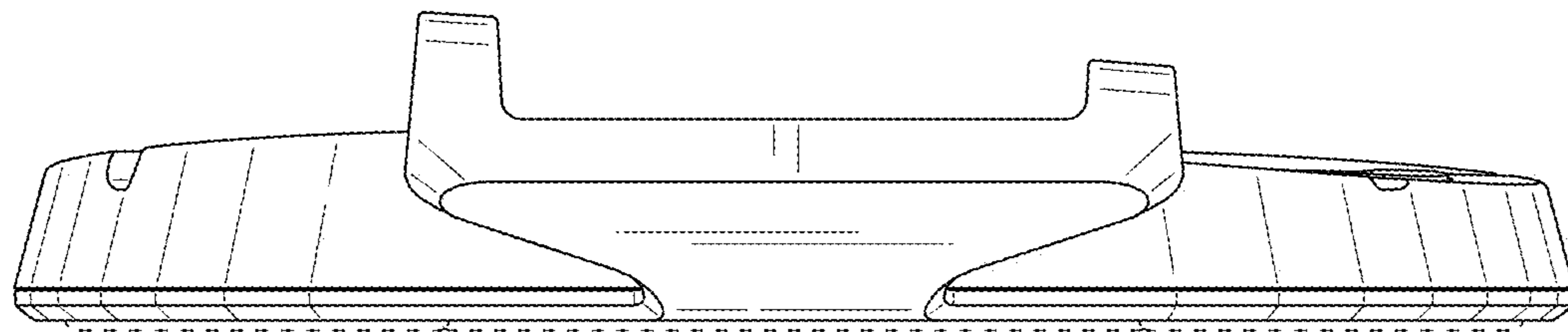


FIG. 14

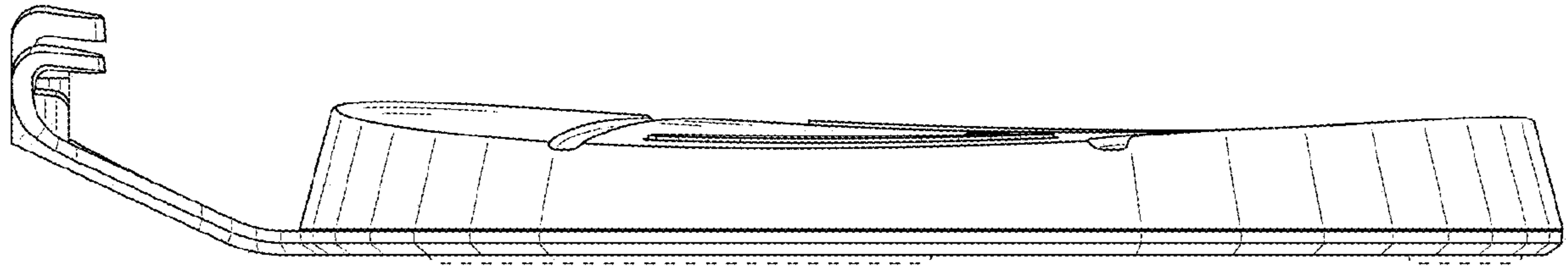


FIG. 15

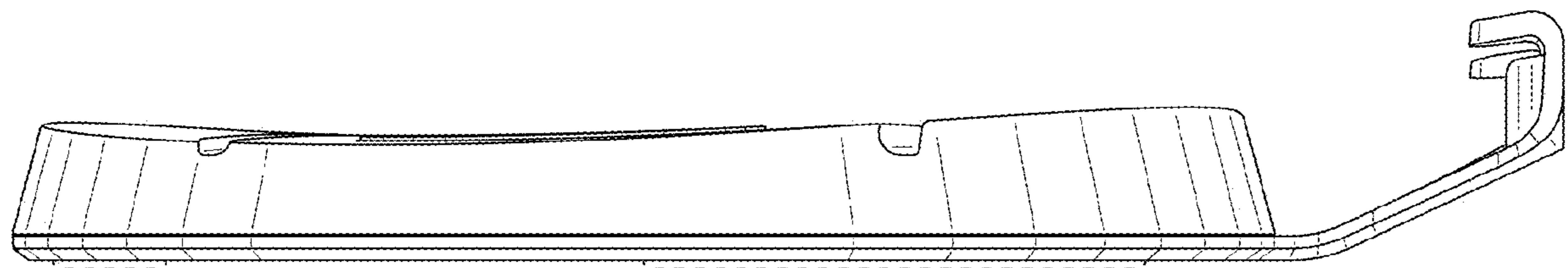


FIG. 16

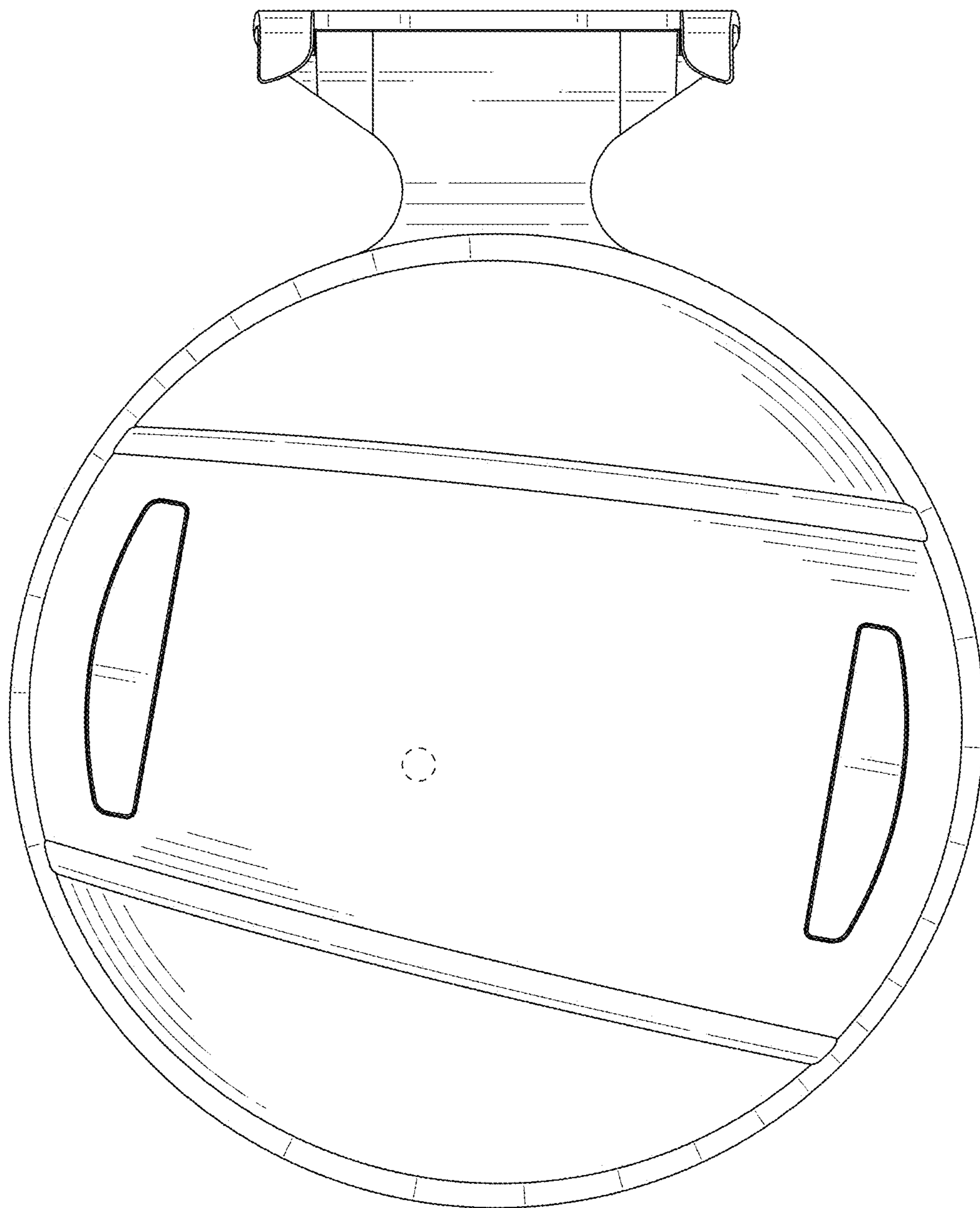


FIG. 17

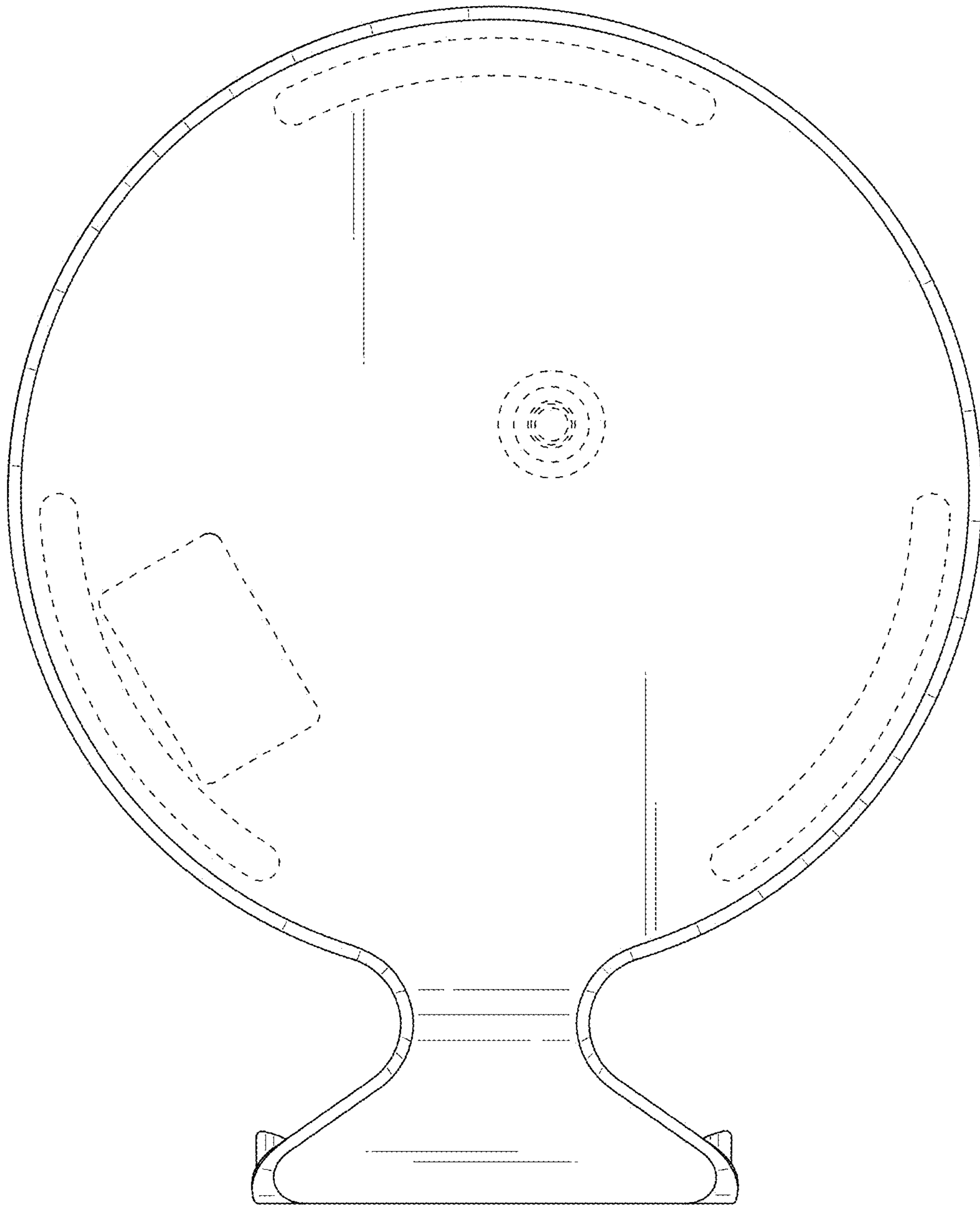


FIG. 18

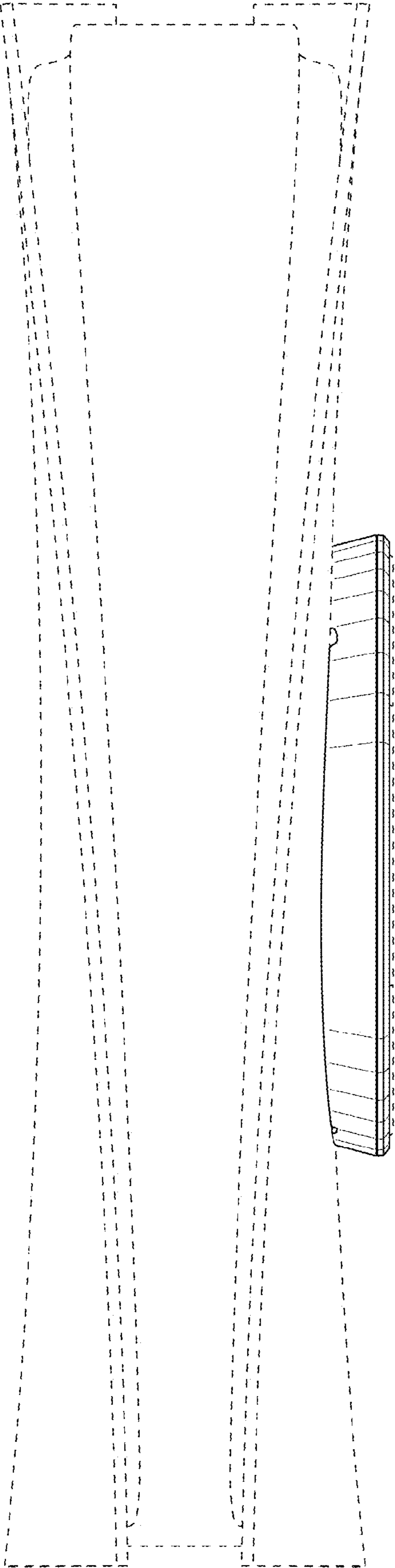


FIG. 19

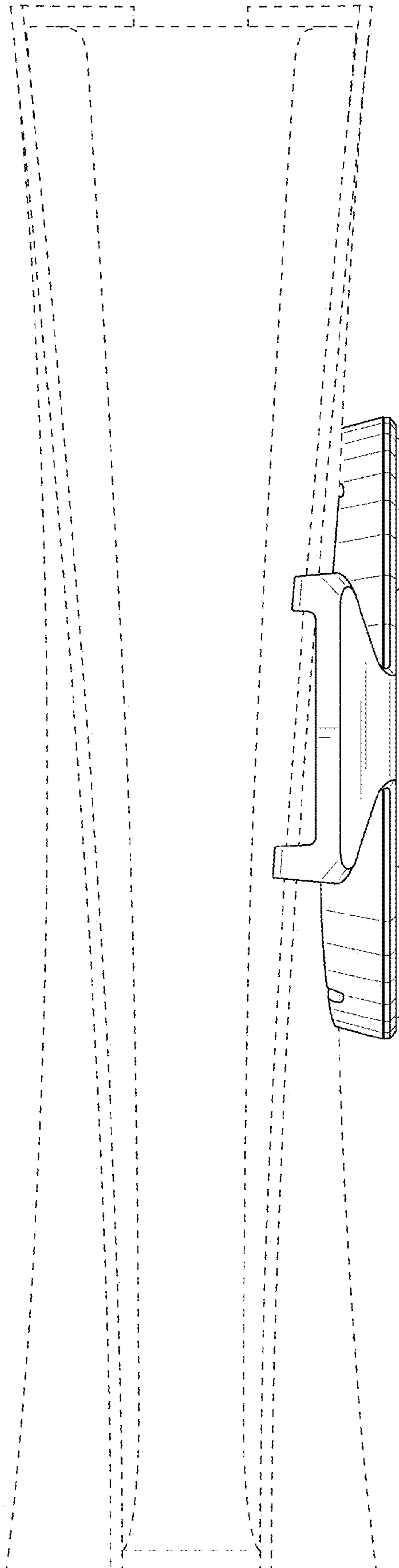


FIG. 20