



US00D951258S

(12) **United States Design Patent**
Lorsold

(10) **Patent No.:** **US D951,258 S**

(45) **Date of Patent:** **** May 10, 2022**

(54) **ELECTRONICS CASE**

(71) Applicant: **Harman International Industries, Incorporated**, Northridge, CA (US)

(72) Inventor: **Axel Lorsold**, Shenzhen (CN)

(73) Assignee: **Harman International Industries, Incorporated**, Northridge, CA (US)

(**) Term: **15 Years**

(21) Appl. No.: **29/783,073**

(22) Filed: **May 11, 2021**

(51) **LOC (13) Cl.** **14-02**

(52) **U.S. Cl.**
USPC **D14/440**

(58) **Field of Classification Search**
USPC D14/440, 447, 250; 206/45.23, 320,
206/45.2; 361/679.55; 294/25; 224/218;
D3/294; D9/420

CPC G06F 1/1628; G06F 1/1626; A47B 23/044
See application file for complete search history.

(56) **References Cited**

U.S. PATENT DOCUMENTS

D467,799 S	*	12/2002	Persson	D9/420
D648,980 S	*	11/2011	Forti	D7/363
D731,178 S	*	6/2015	Gorouvein	D3/265
D775,818 S	*	1/2017	Ingraham	D3/218
D816,994 S		5/2018	Fischer et al.		
D838,480 S	*	1/2019	Son	D3/294
D841,580 S	*	2/2019	Bao	D13/108
D841,581 S	*	2/2019	Bonahoom	D13/108
D849,401 S	*	5/2019	Akana	D3/274
D862,425 S	*	10/2019	Yan	D14/223
D862,435 S	*	10/2019	Kwak	D14/240
D864,110 S	*	10/2019	Yoshimura	D13/108
D864,971 S	*	10/2019	Lee	D14/440
D868,465 S	*	12/2019	Lee	D3/269
D869,147 S	*	12/2019	Lian	D3/201

D869,161 S	*	12/2019	Zhong	D3/294
D869,163 S	*	12/2019	Maguire	D3/301
D870,037 S	*	12/2019	Lee	D13/107
D870,451 S	*	12/2019	Birger	D3/201
D872,094 S	*	1/2020	Wright	D14/440
D872,468 S	*	1/2020	Lee	D3/269
D872,469 S	*	1/2020	Lee	D3/269
D873,217 S	*	1/2020	Zhang	D13/108
D874,826 S	*	2/2020	Zhang	D3/303
D878,045 S	*	3/2020	Akana	D3/274
D878,754 S	*	3/2020	Lee	D3/270
D881,179 S	*	4/2020	Wright	D14/250
D881,572 S	*	4/2020	Wang	D3/294
D882,259 S	*	4/2020	Liu	D3/269
D888,039 S	*	6/2020	Wright	D14/250

(Continued)

Primary Examiner — Cynthia R Underwood

(74) *Attorney, Agent, or Firm* — Plumsea Law Group, LLC

(57) **CLAIM**

The ornamental design for an electronics case, as shown and described.

DESCRIPTION

FIG. 1 is a perspective view of an electronics case showing the new design;

FIG. 2 is a front elevational view thereof;

FIG. 3 is a rear elevational view thereof;

FIG. 4 is a side elevational view thereof;

FIG. 5 is an opposite side elevational view thereof;

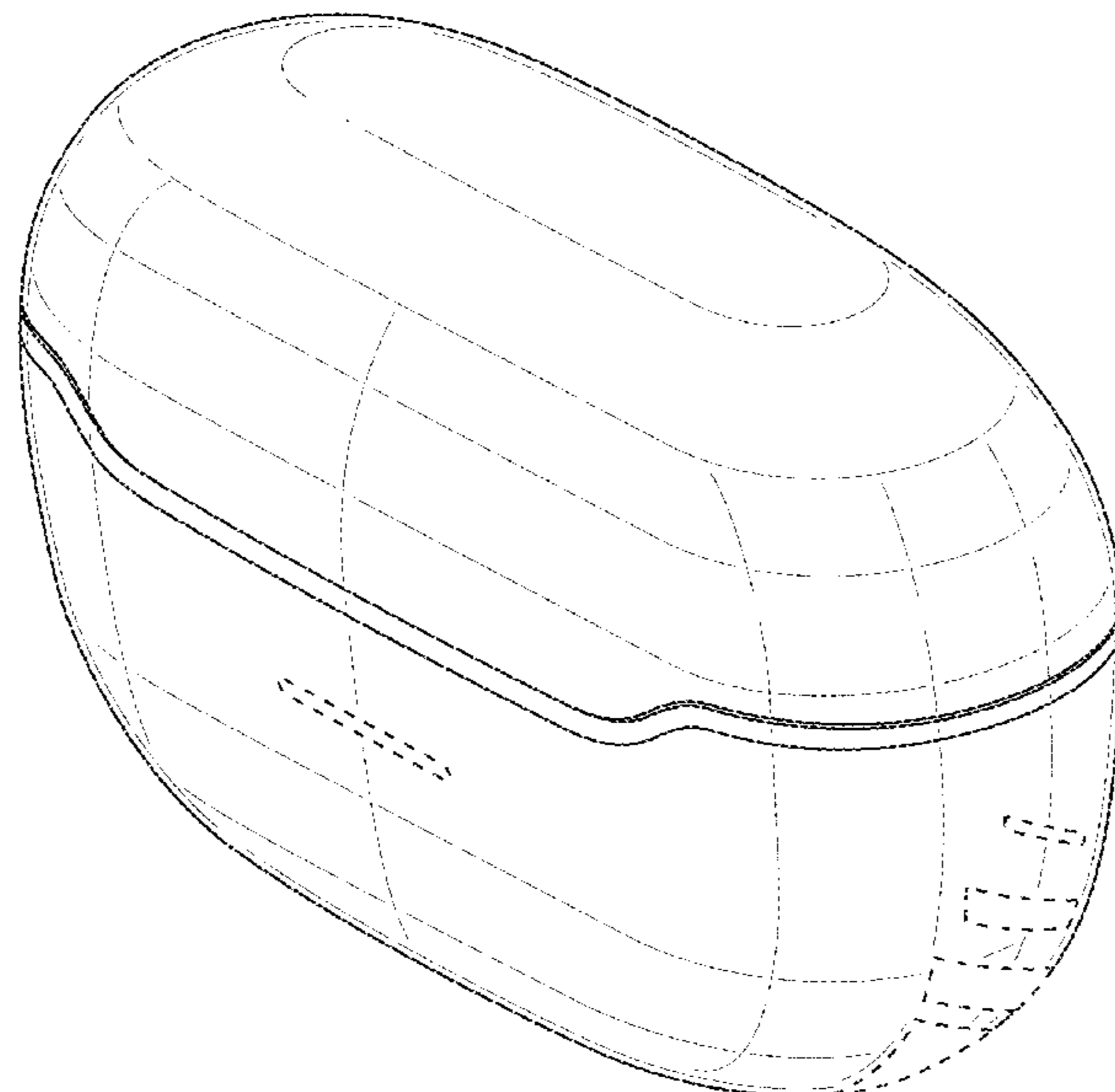
FIG. 6 is a top view thereof; and,

FIG. 7 is a bottom view thereof.

The broken lines illustrate portions of the electronics case that form no part of the claimed design.

The shading is provided merely to represent contours of the design and does not connote the character of the surfaces such as any specific texture, material, gloss, translucence, transparency, surface treatment, or surface decoration.

1 Claim, 7 Drawing Sheets



(56)

References Cited

U.S. PATENT DOCUMENTS

D888,040	S	*	6/2020	Wright	D14/250
D888,041	S	*	6/2020	Wright	D14/250
D888,042	S	*	6/2020	Wright	D14/250
D888,043	S	*	6/2020	Wright	D14/250
D888,408	S	*	6/2020	Lee	D3/201
D891,771	S	*	8/2020	Lee	D3/269
D891,773	S		8/2020	Meyer		
D892,497	S	*	8/2020	Wright	D3/294
D892,498	S	*	8/2020	Wright	D3/294
D901,177	S	*	11/2020	Wei	D3/294
D901,178	S		11/2020	Kim et al.		
D907,363	S		1/2021	Distefano		
D911,711	S	*	3/2021	Feng	D3/294
D914,604	S	*	3/2021	Wang	D13/118
11,039,523	B2	*	6/2021	Wang	H05B 47/12
D924,567	S	*	7/2021	Jung	D3/302
D926,470	S	*	8/2021	Luo	D3/294
D927,181	S	*	8/2021	Jung	D3/294
D927,417	S		8/2021	Sretovic		
D935,772	S	*	11/2021	Chen	D3/294
D936,968	S	*	11/2021	Chen	D3/294
2020/0100573	A1	*	4/2020	Ekelund	A45C 11/00

* cited by examiner

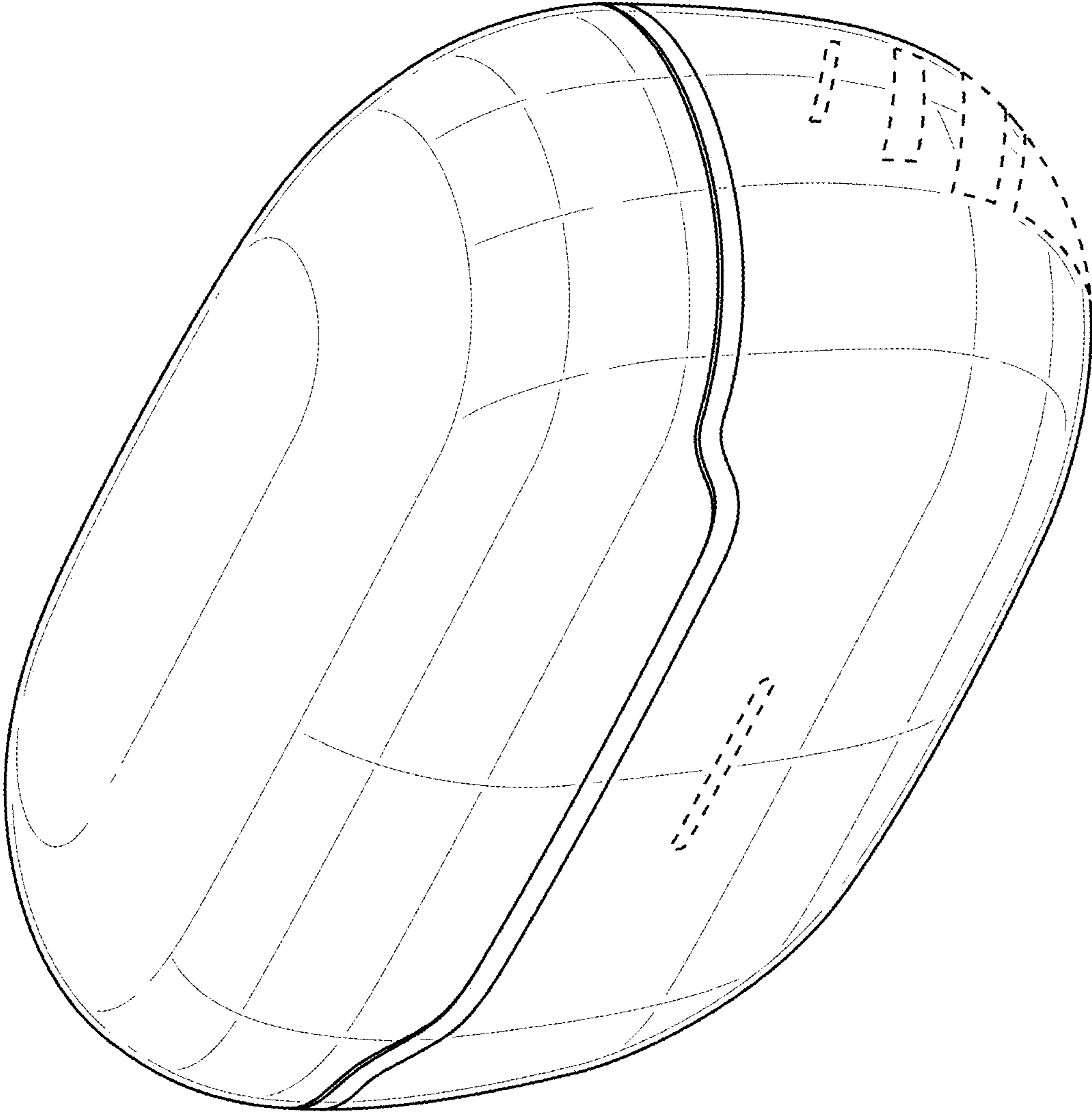


FIG. 1

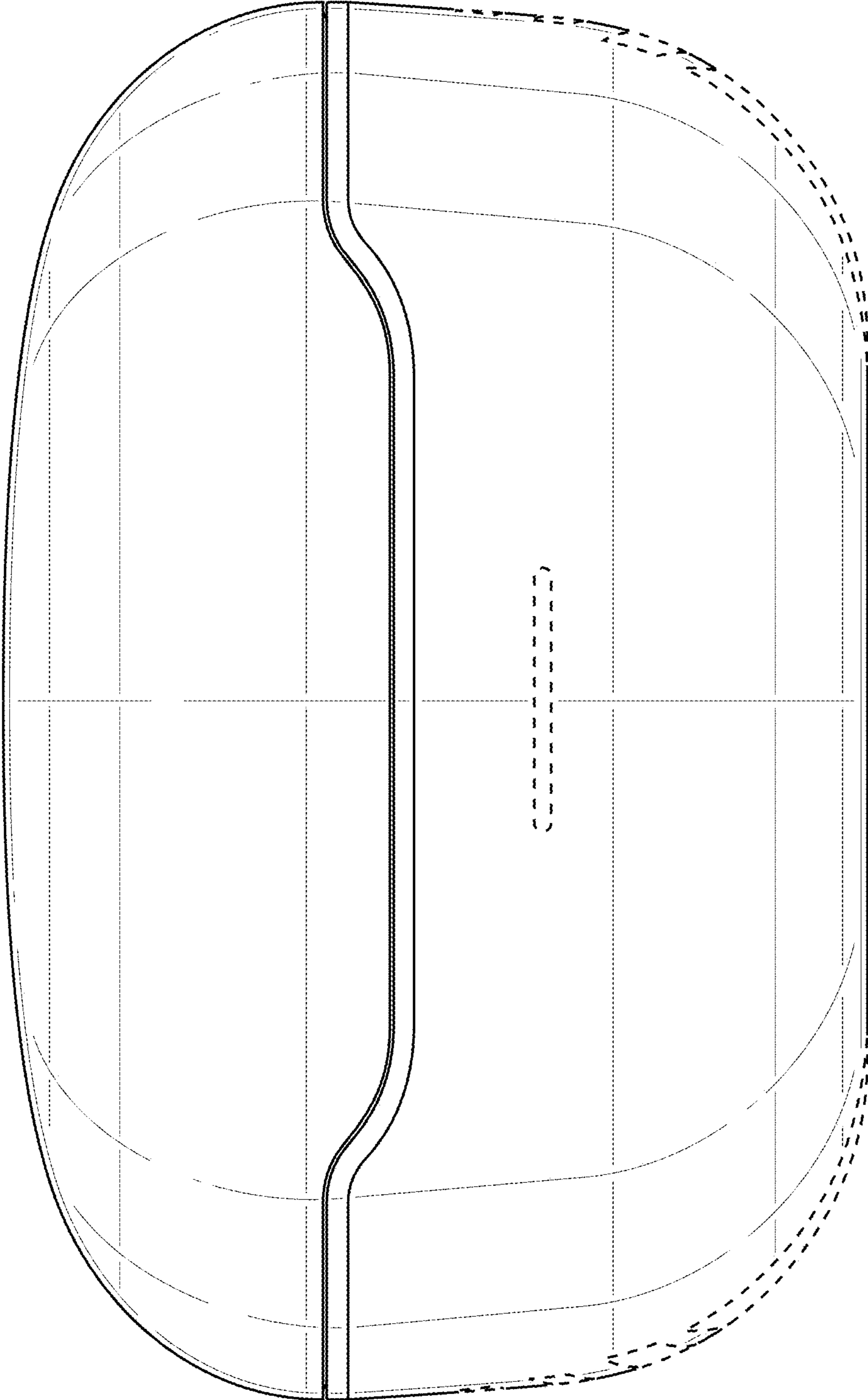


FIG. 2

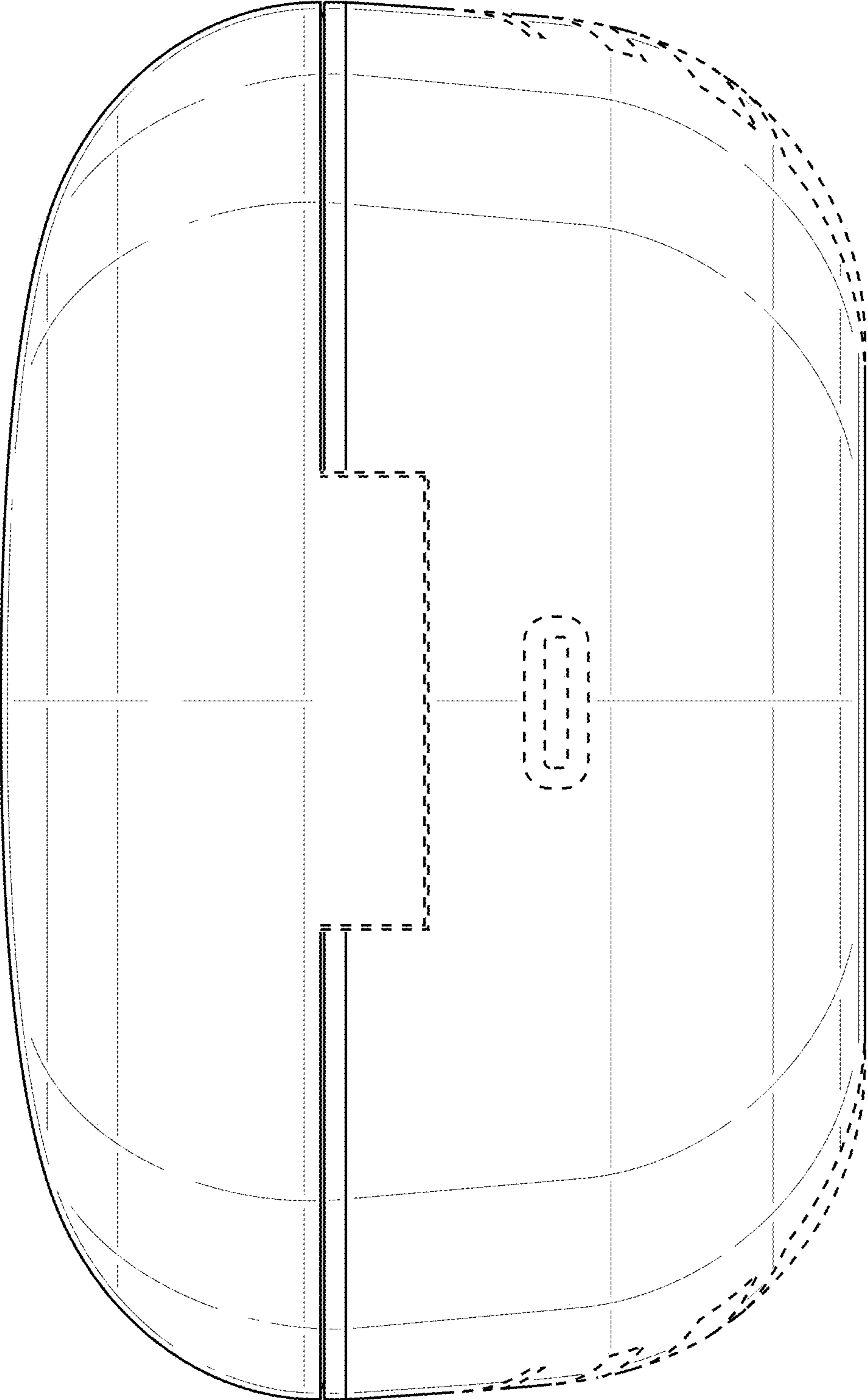


FIG. 3

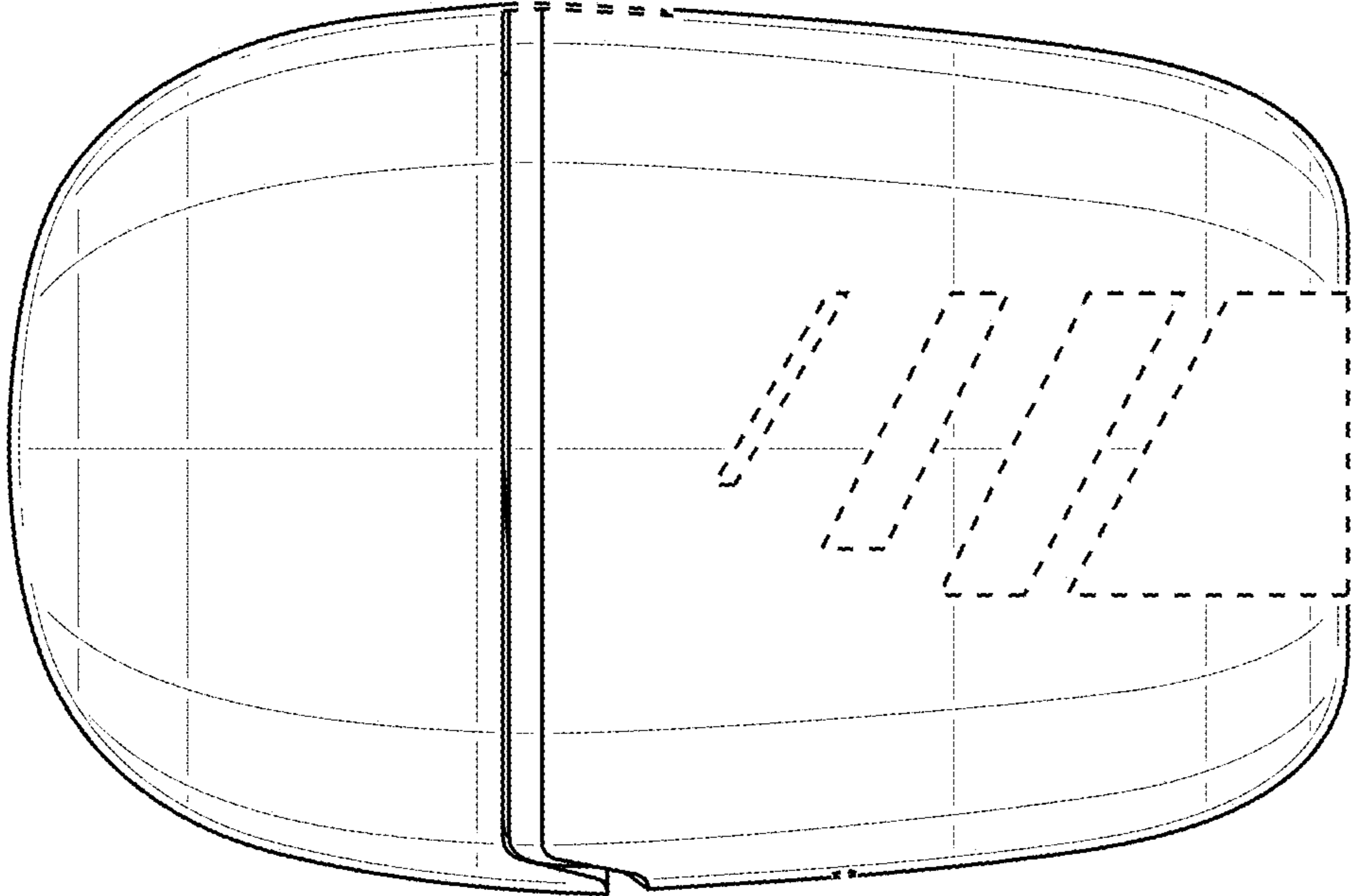


FIG. 4

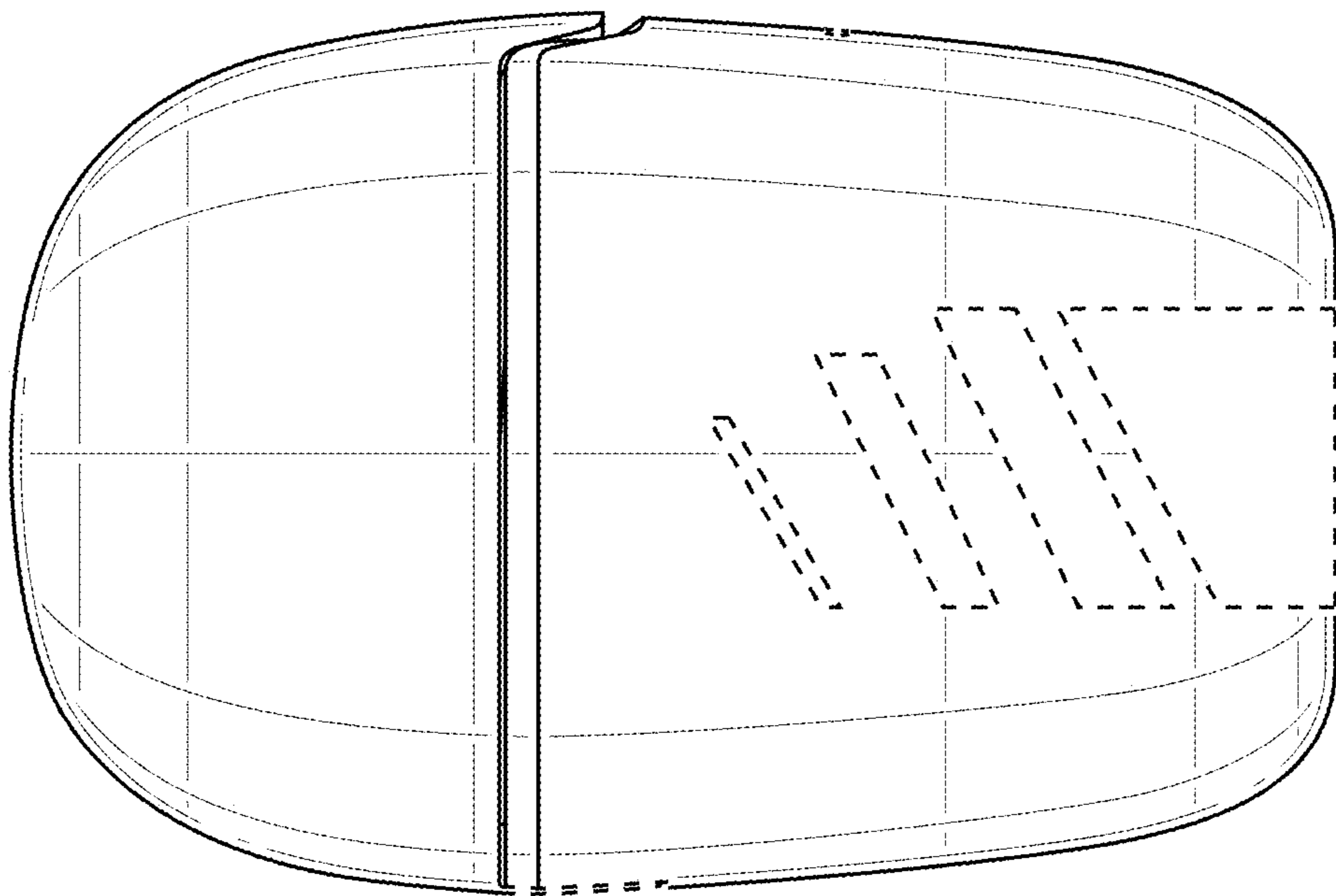


FIG. 5

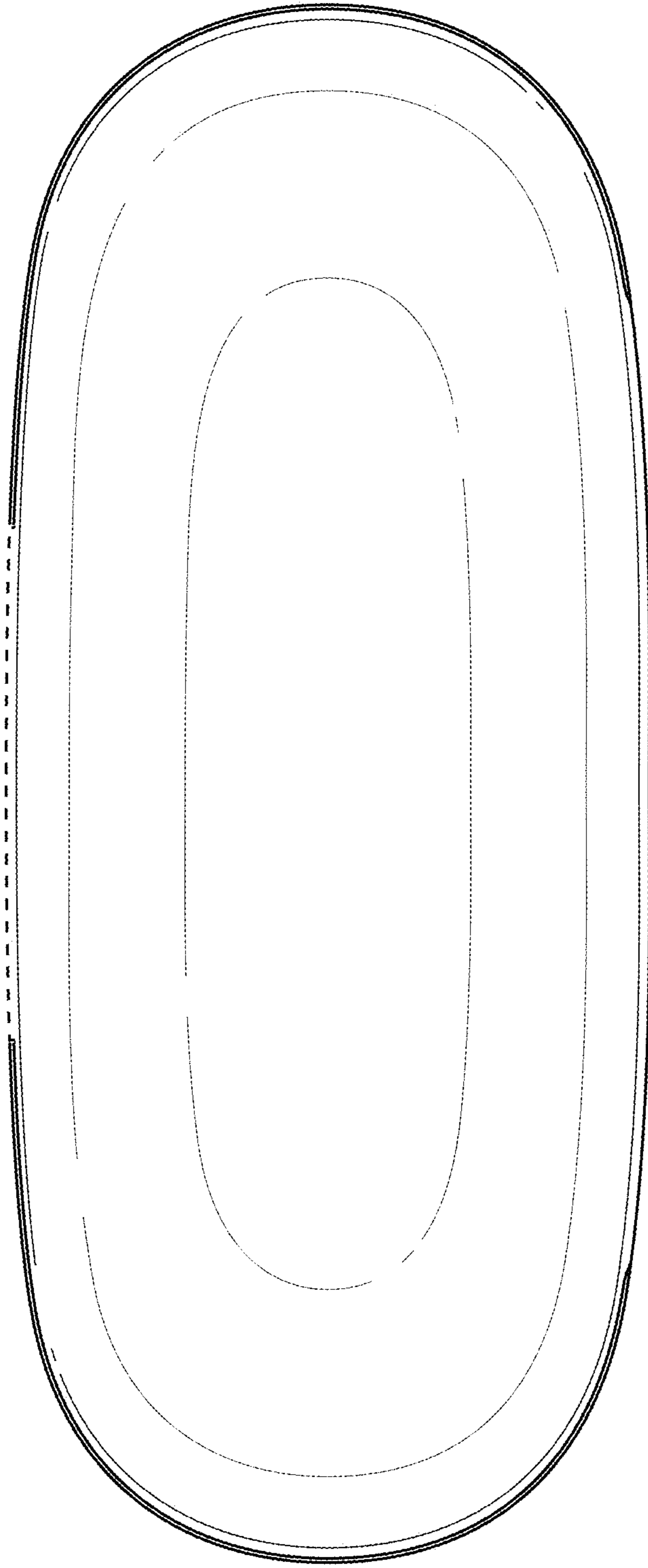


FIG. 6

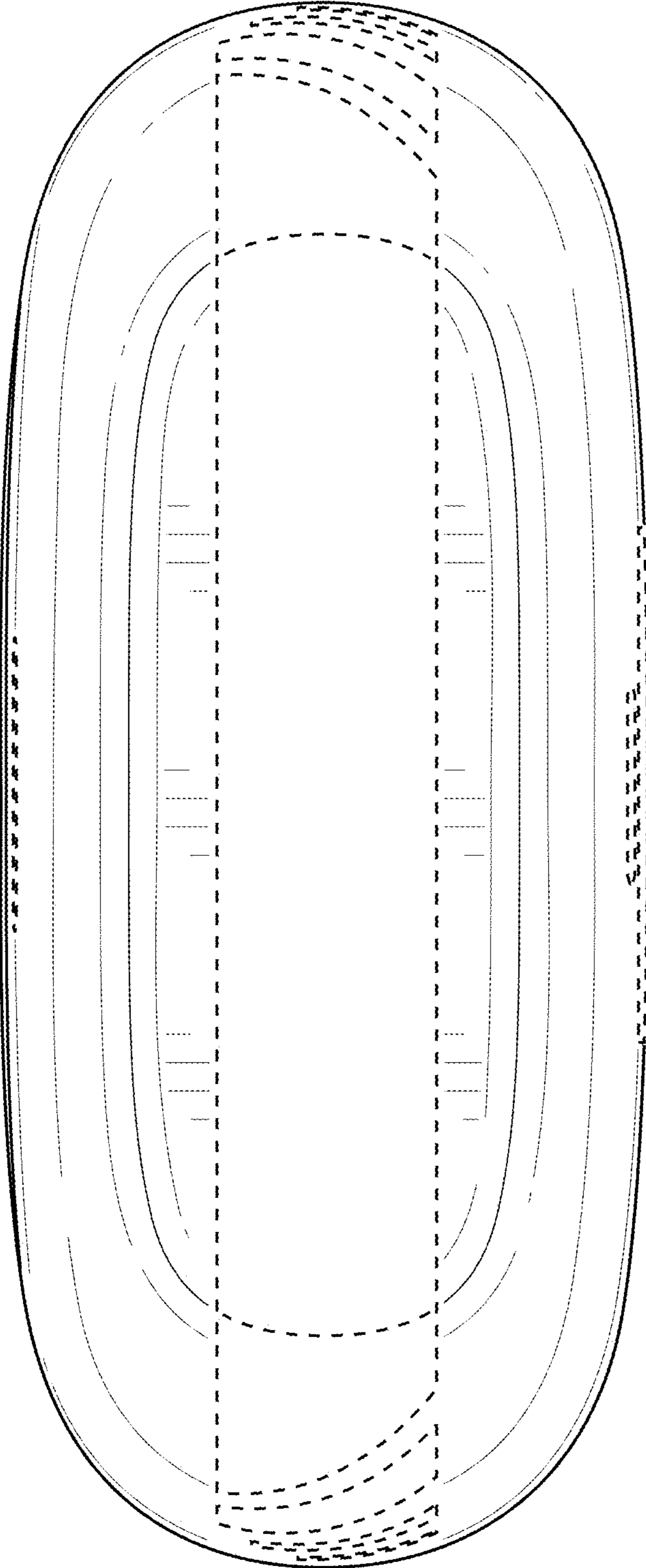


FIG. 7