



US00D951256S

(12) **United States Design Patent**  
**Liu**

(10) **Patent No.:** **US D951,256 S**

(45) **Date of Patent:** **\*\* May 10, 2022**

(54) **MOUSE**

(71) Applicant: **SHENZHEN QIANHAI PATUOXUN NETWORK AND TECHNOLOGY CO., LTD.**, Shenzhen (CN)

(72) Inventor: **Mengchang Liu**, Shenzhen (CN)

(73) Assignee: **SHENZHEN QIANHAI PATUOXUN NETWORK AND TECHNOLOGY CO., LTD.**, Shenzhen (CN)

(\*\*) Term: **15 Years**

(21) Appl. No.: **29/780,806**

(22) Filed: **Apr. 27, 2021**

(51) **LOC (13) Cl.** ..... **04-02**

(52) **U.S. Cl.**  
USPC ..... **D14/409**; D14/406

(58) **Field of Classification Search**  
USPC ..... D14/402–411, 356, 388, 389, 383–385,  
D14/417, 426; 345/156–167; 463/36–38;  
358/471, 473; 273/148 B  
CPC ..... G06F 3/03543; G06F 2203/0333; G06F  
3/039; G06F 3/038; G06F 2203/0384  
See application file for complete search history.

(56) **References Cited**

**U.S. PATENT DOCUMENTS**

D460,969 S	7/2002	Sheehan	
D842,301 S	3/2019	Chou et al.	
D853,386 S	* 7/2019	Kujawski	D14/409
D853,387 S	* 7/2019	Kujawski	D14/409
D853,388 S	* 7/2019	Loughnane	D14/409
D882,575 S	* 4/2020	Jinkinson	D14/409

D892,799 S	* 8/2020	Jinkinson	D14/409
D903,673 S	* 12/2020	Xu	D14/409
D903,675 S	* 12/2020	Xu	D14/409
D903,677 S	* 12/2020	Xu	D14/409
D910,020 S	* 2/2021	Jinkinson	D14/409
D910,633 S	* 2/2021	Yook	D14/409
D911,340 S	* 2/2021	Lee	D14/409
D912,052 S	* 3/2021	Xu	D14/409
D920,333 S	* 5/2021	Chong	D14/409
D920,978 S	* 6/2021	Chong	D14/409
D923,007 S	* 6/2021	Depay	D14/409
D924,238 S	* 7/2021	Chong	D14/409
D925,536 S	* 7/2021	Carey	D14/409
D928,155 S	* 8/2021	Chong	D14/409
D940,140 S	* 1/2022	Carey	D14/409

\* cited by examiner

*Primary Examiner* — Austin Murphy

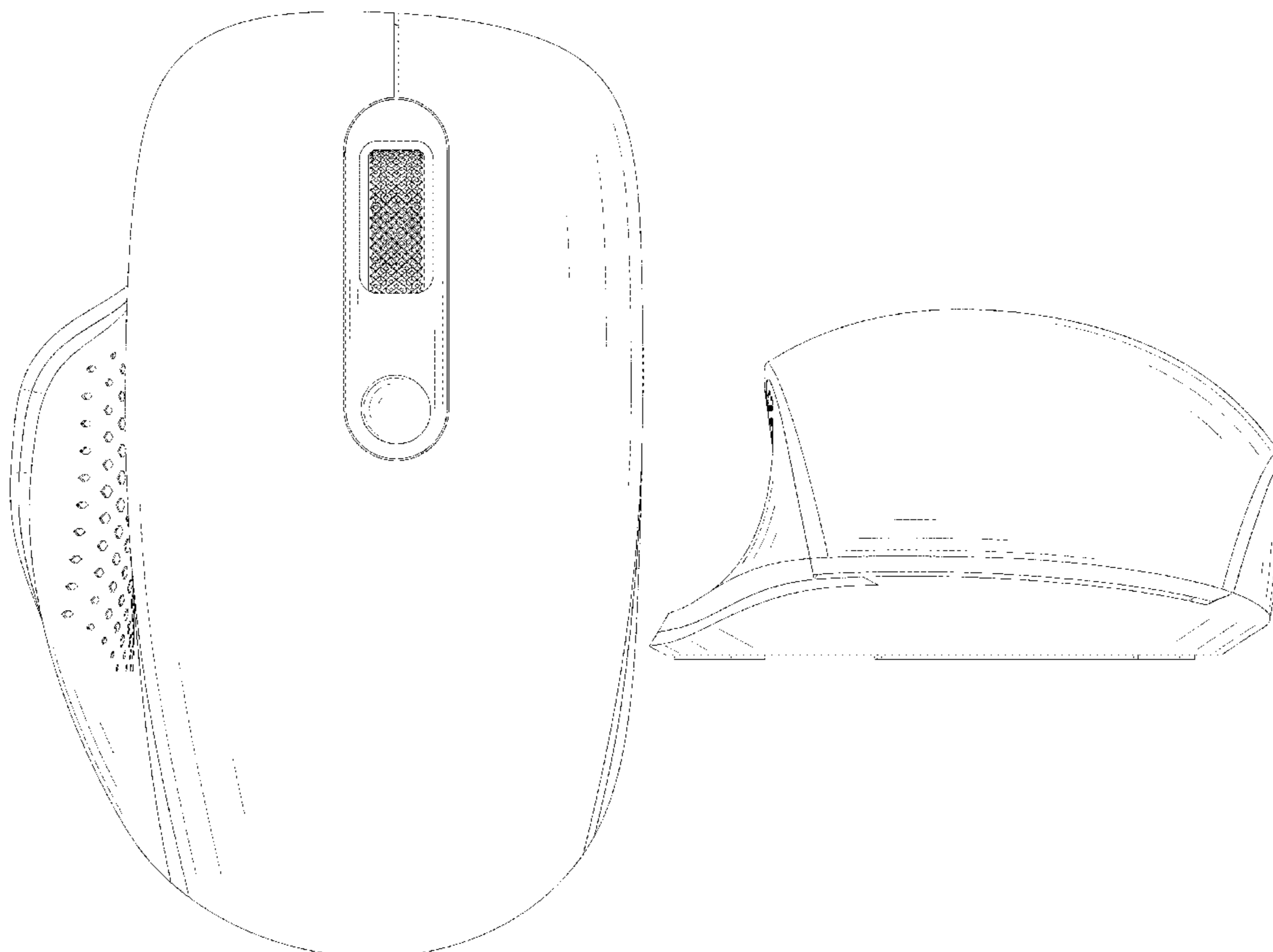
(57) **CLAIM**

The ornamental design for a mouse, as shown and described.

**DESCRIPTION**

FIG. 1 is a perspective view of a mouse showing my new design;  
FIG. 2 is another perspective view thereof;  
FIG. 3 is a front elevational view thereof;  
FIG. 4 is a rear elevational view thereof;  
FIG. 5 is a left side elevational view thereof;  
FIG. 6 is a right side elevational view thereof;  
FIG. 7 is a top plan view thereof;  
FIG. 8 is a bottom plan view thereof; and,  
FIG. 9 is an enlarged view of portion 9 shown in FIG. 1.  
The broken lines in the drawings depict portions of the mouse that form no part of the claimed design.

**1 Claim, 9 Drawing Sheets**



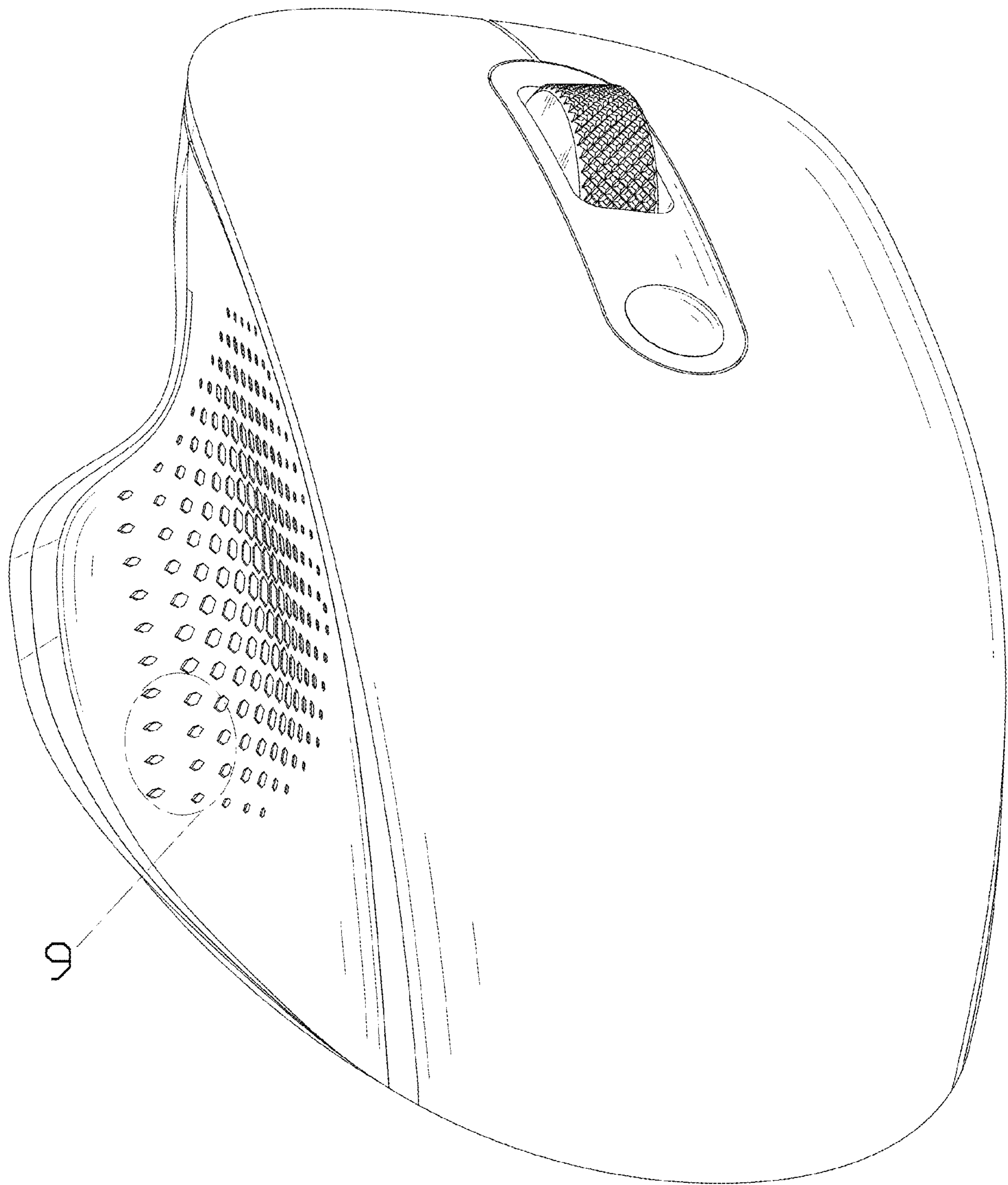


FIG. 1

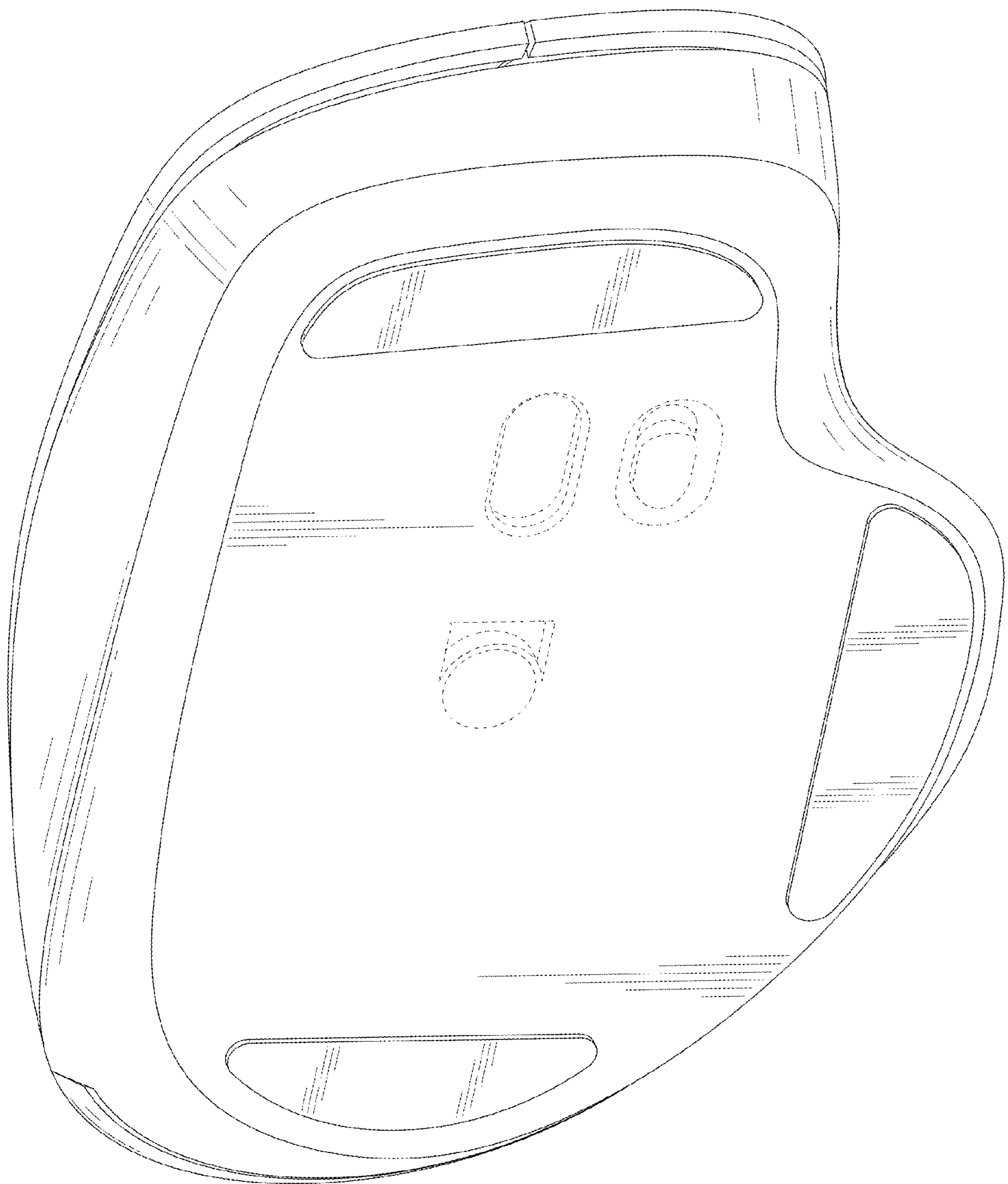


FIG. 2

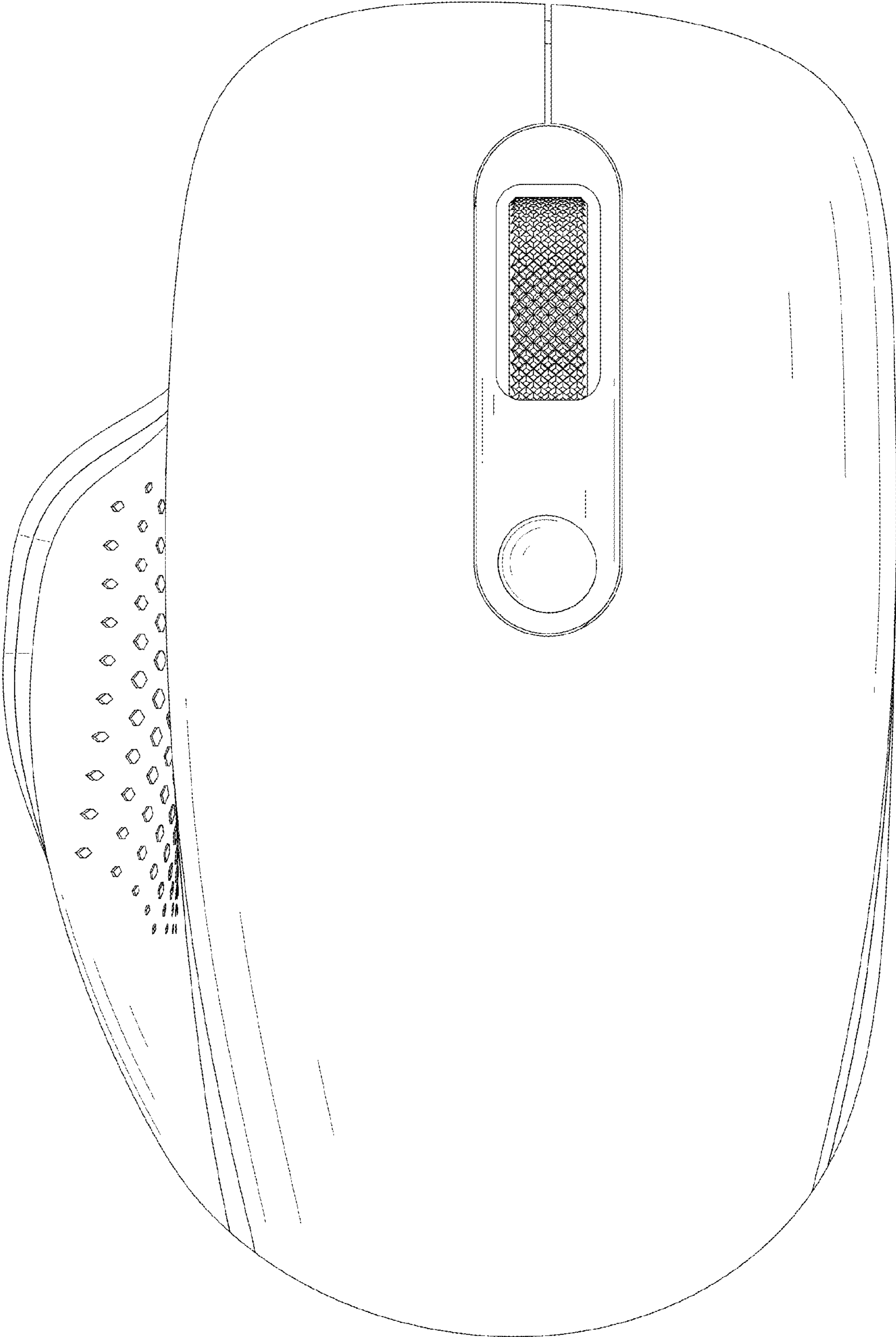


FIG. 3

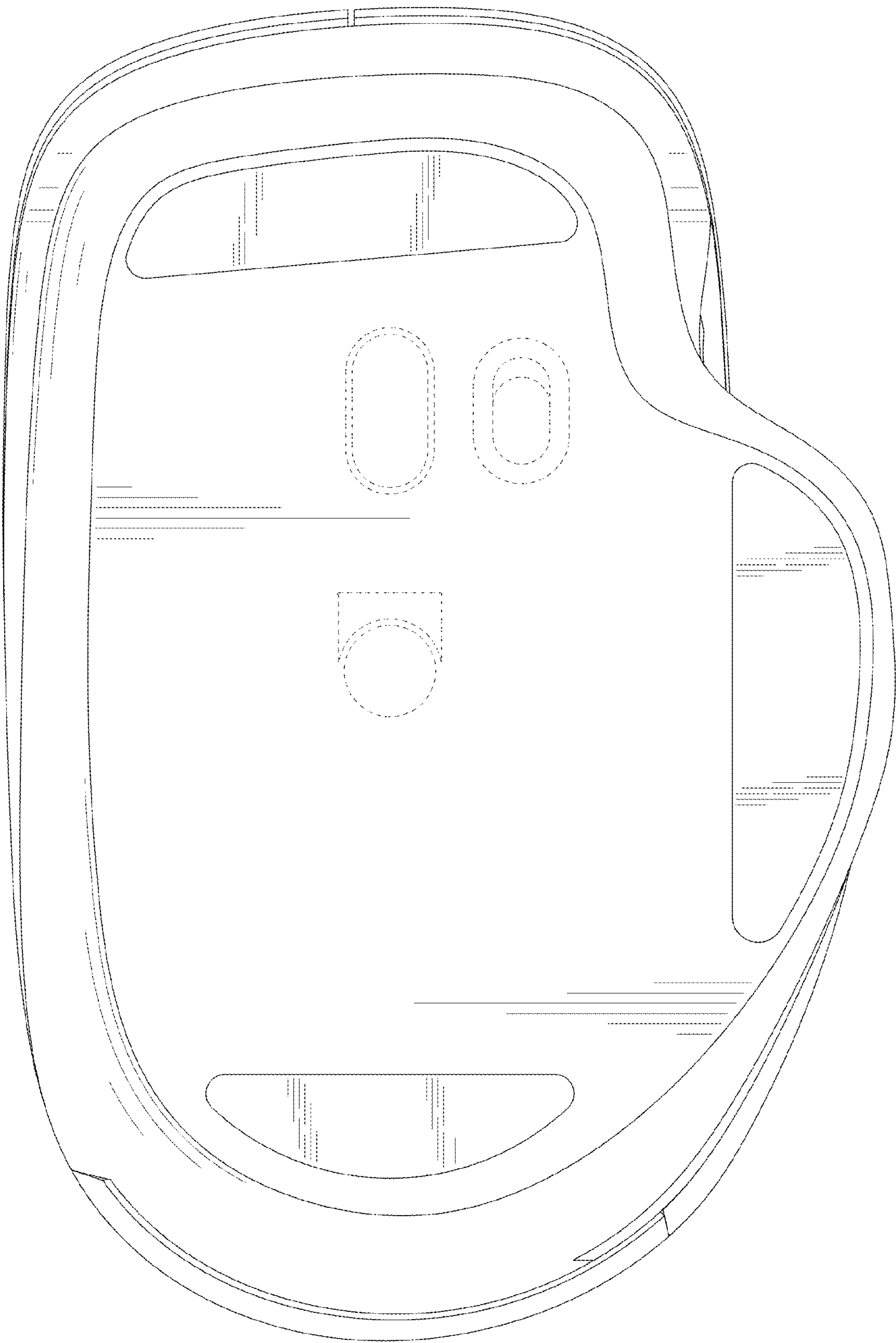


FIG. 4

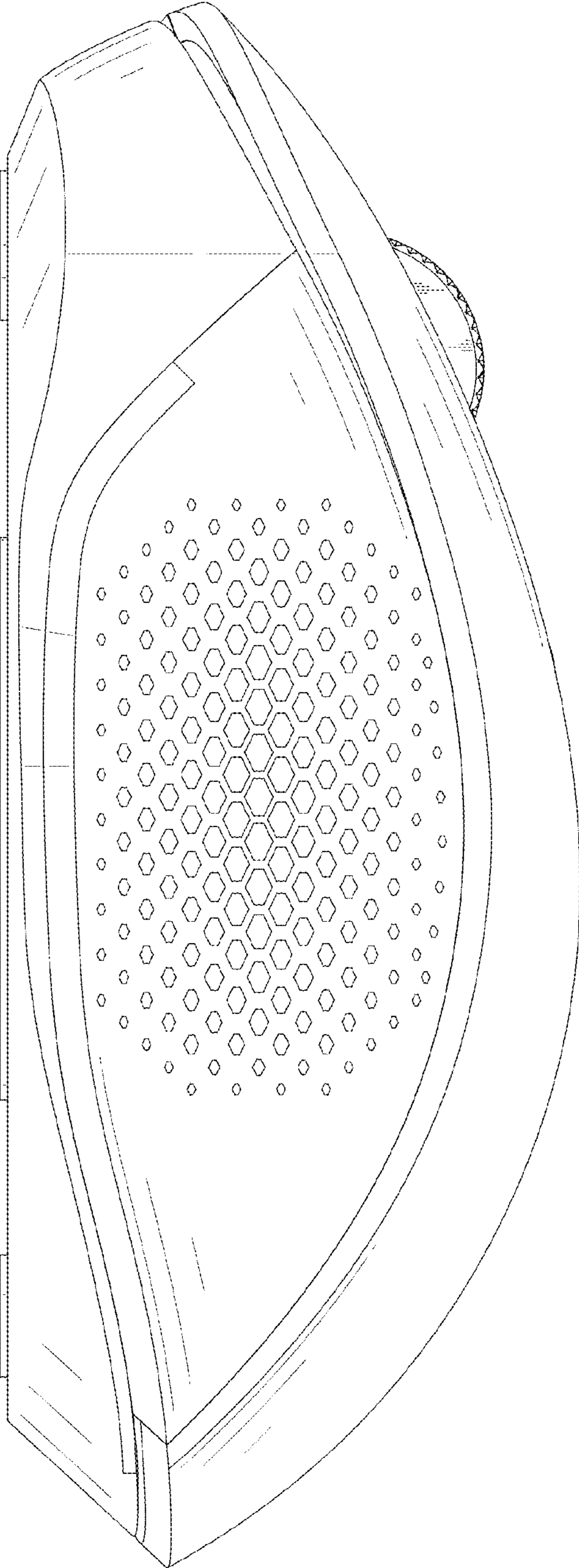


FIG. 5

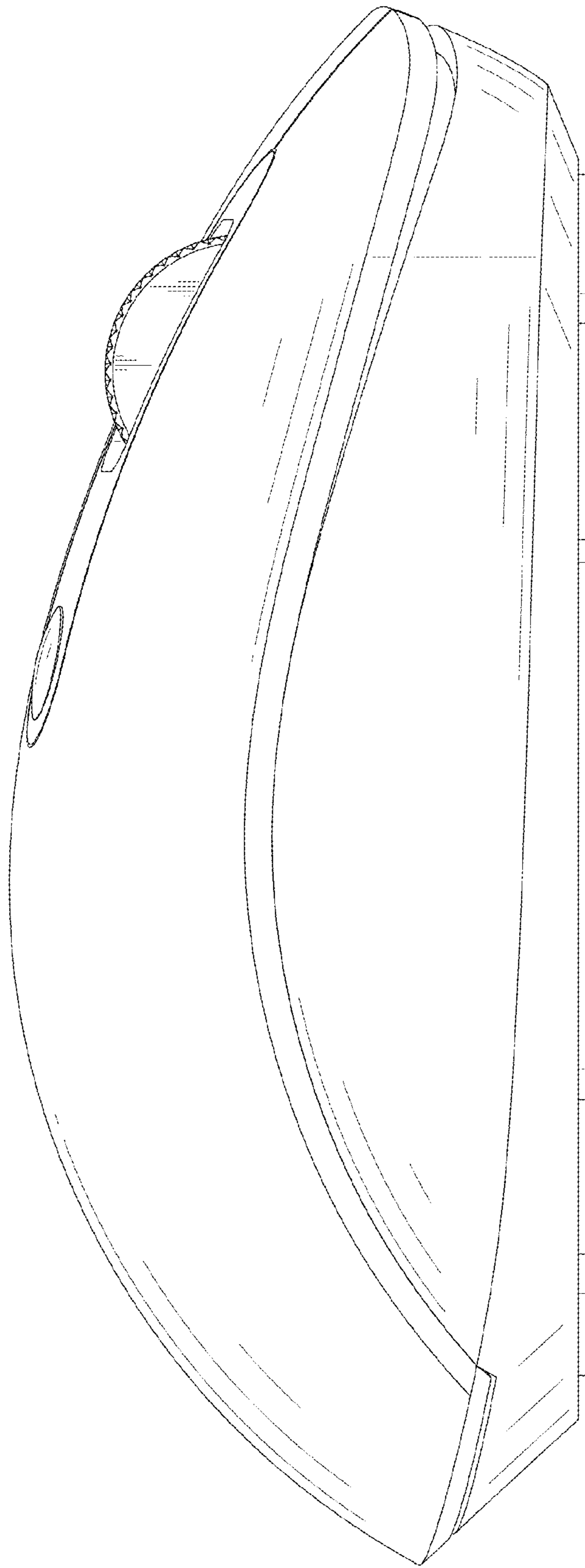


FIG. 6

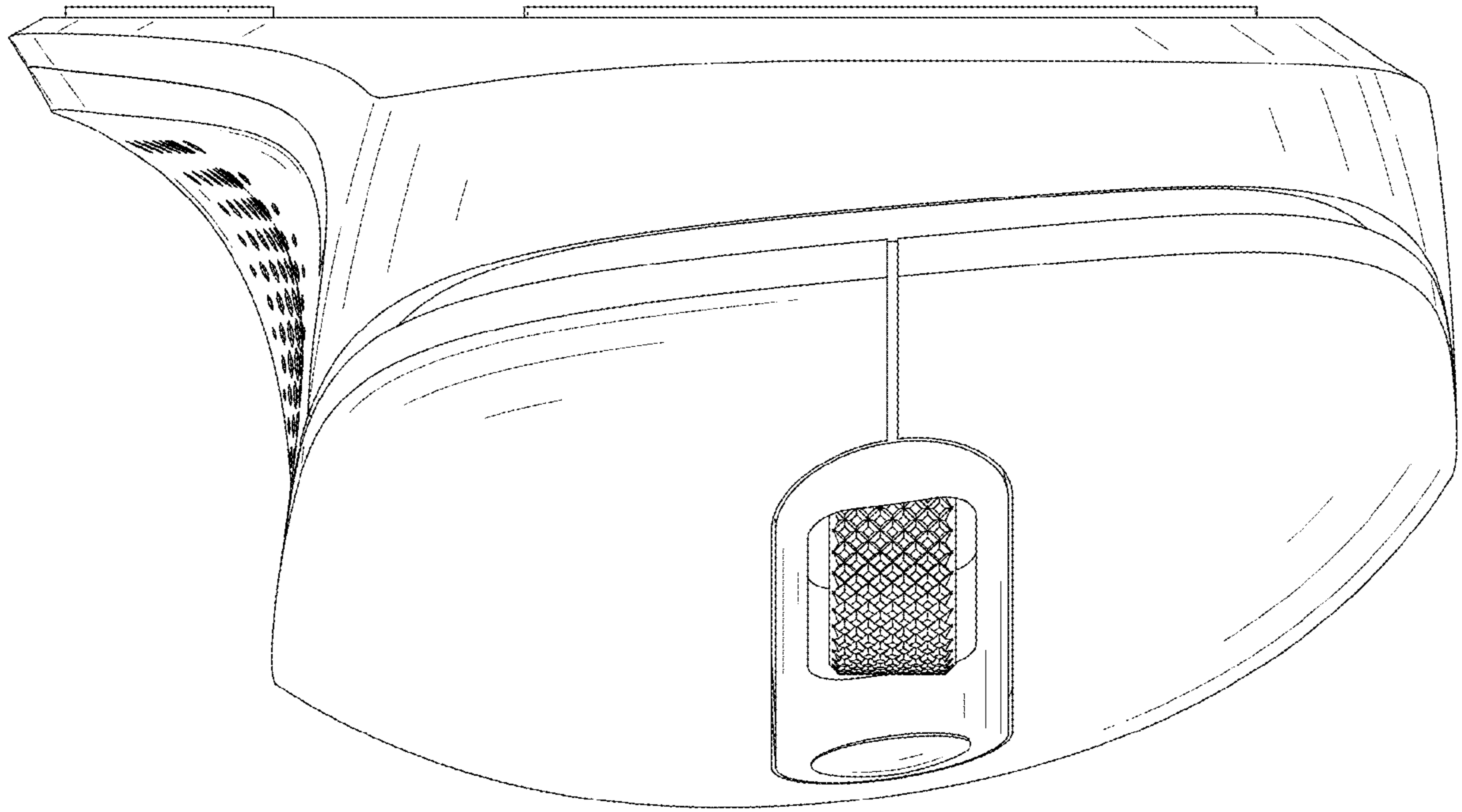


FIG. 7



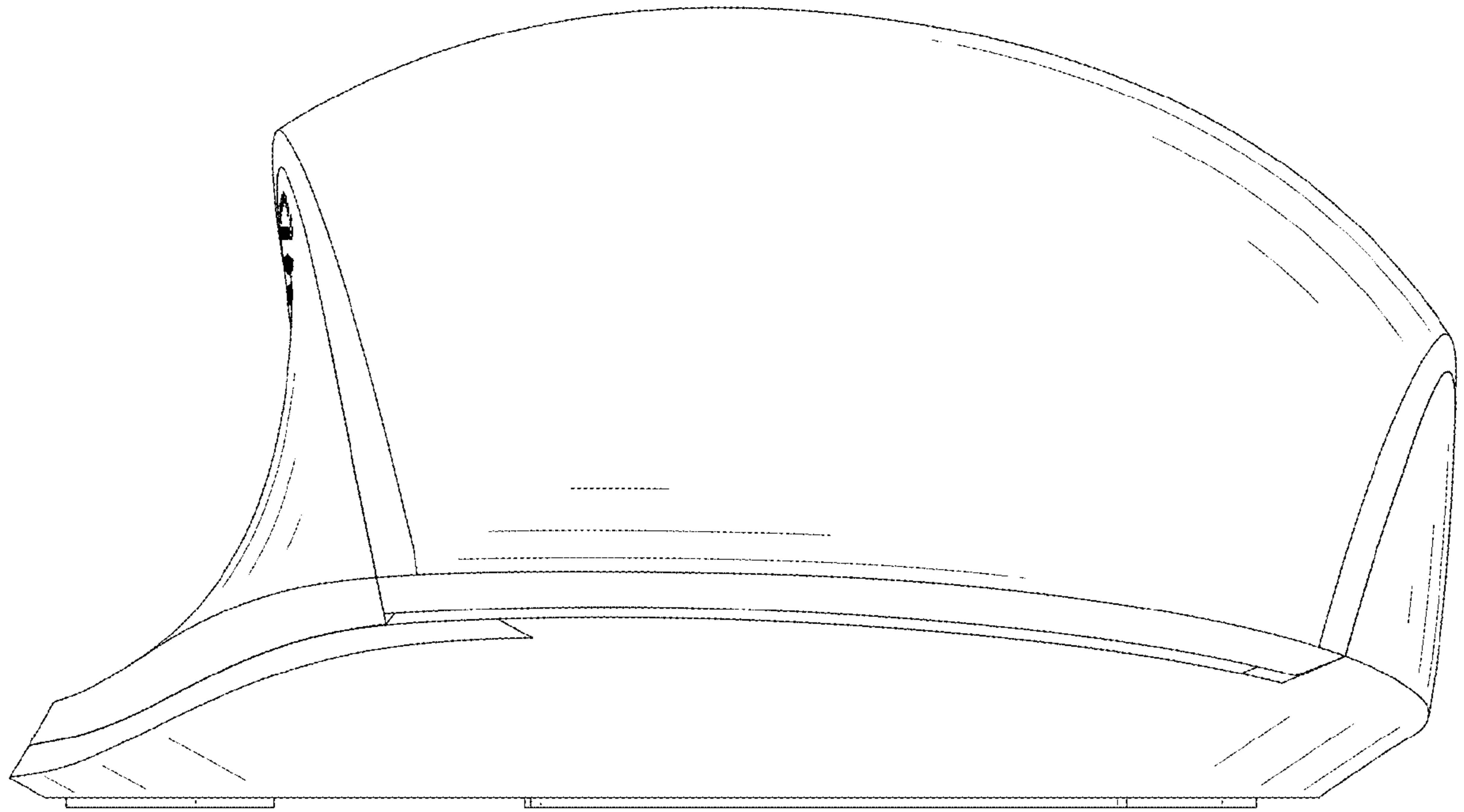


FIG. 8

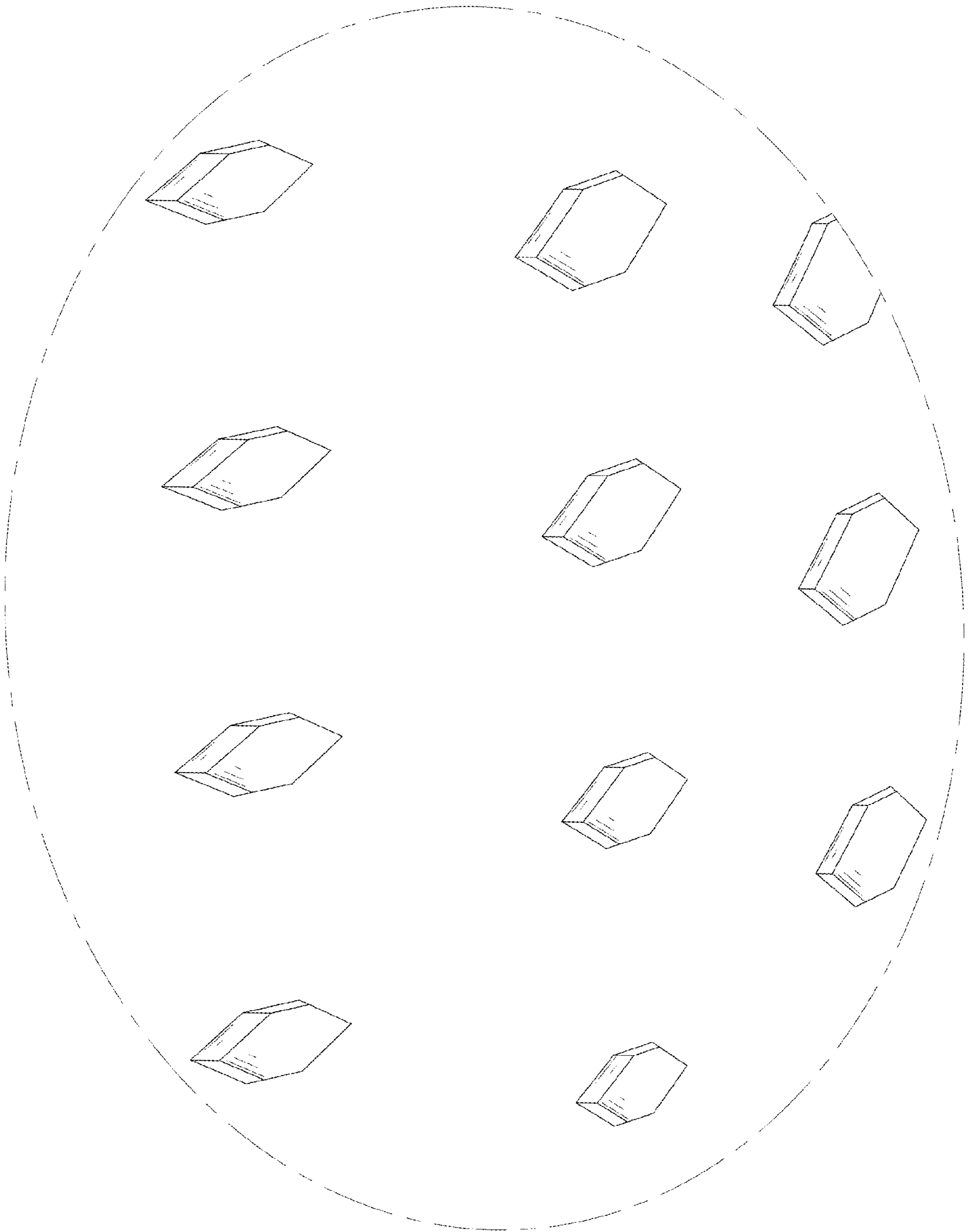


FIG. 9