



US00D951255S

(12) **United States Design Patent** (10) **Patent No.:** **US D951,255 S**
Martin et al. (45) **Date of Patent:** **** May 10, 2022**

(54) **CARD READER DEVICE**
(71) Applicant: **Block, Inc.**, San Francisco, CA (US)
(72) Inventors: **Jeremy Martin**, San Francisco, CA (US); **Mani Razaghi**, San Francisco, CA (US); **Joseph Laucks**, San Francisco, CA (US)
(73) Assignee: **Block, Inc.**, San Francisco, CA (US)
(**) Term: **15 Years**

(56) **References Cited**
U.S. PATENT DOCUMENTS
D417,442 S 12/1999 Butts et al.
D477,321 S 7/2003 Baughman
D491,953 S * 6/2004 Arakaki D14/383
D500,039 S * 12/2004 Chen D14/385
D576,164 S * 9/2008 Takahashi D14/385
D578,121 S * 10/2008 Goto D14/385
D590,828 S 4/2009 Sherrod et al.
D607,000 S 12/2009 Cheng et al.
D653,664 S 2/2012 Turnbull et al.
(Continued)

(21) Appl. No.: **29/810,346**
(22) Filed: **Oct. 4, 2021**

FOREIGN PATENT DOCUMENTS
CA 159076 S 2/2017
JP 1512795 S 12/2014
(Continued)

Related U.S. Application Data
(62) Division of application No. 29/762,013, filed on Dec. 14, 2020, now Pat. No. Des. 932,490, which is a division of application No. 29/657,827, filed on Jul. 25, 2018, now Pat. No. Des. 905,059.
(51) **LOC (13) Cl.** **14-02**
(52) **U.S. Cl.**
USPC **D14/385**
(58) **Field of Classification Search**
USPC D18/4.4, 4.5, 4.6, 12, 12.1, 12.3; D14/383, 384, 385, 386, 378, 420, 427, D14/432-439, 447, 453; D13/107, 108, D13/133, 146, 147, 152, 154, 156; 235/441, 451, 492, 380, 439, 375
CPC G06K 19/07749; G06K 19/0723; G06K 19/041; G06K 19/07758; G06K 19/0775; G06K 19/07783; G06K 19/07794; G06K 19/06046; G06K 19/07722; G06K 19/07773; G06K 19/07779; G06K 19/07784; G06K 19/07786; G06K 19/0709
See application file for complete search history.

OTHER PUBLICATIONS
Restriction requirement dated Apr. 3, 2020 for Design U.S. Appl. No. 29/657,827, of Martin J et al., filed Jul. 25, 2018.
(Continued)
Primary Examiner — Austin Murphy
(74) *Attorney, Agent, or Firm* — Lee & Hayes, P.C.

(57) **CLAIM**
The ornamental design for a card reader device, as shown and described.

DESCRIPTION
FIG. 1 is a front perspective view of a card reader device; FIG. 2 is a front view thereof; FIG. 3 is a back view thereof; FIG. 4 is a left-side view thereof; FIG. 5 is a right-side view thereof;
(Continued)

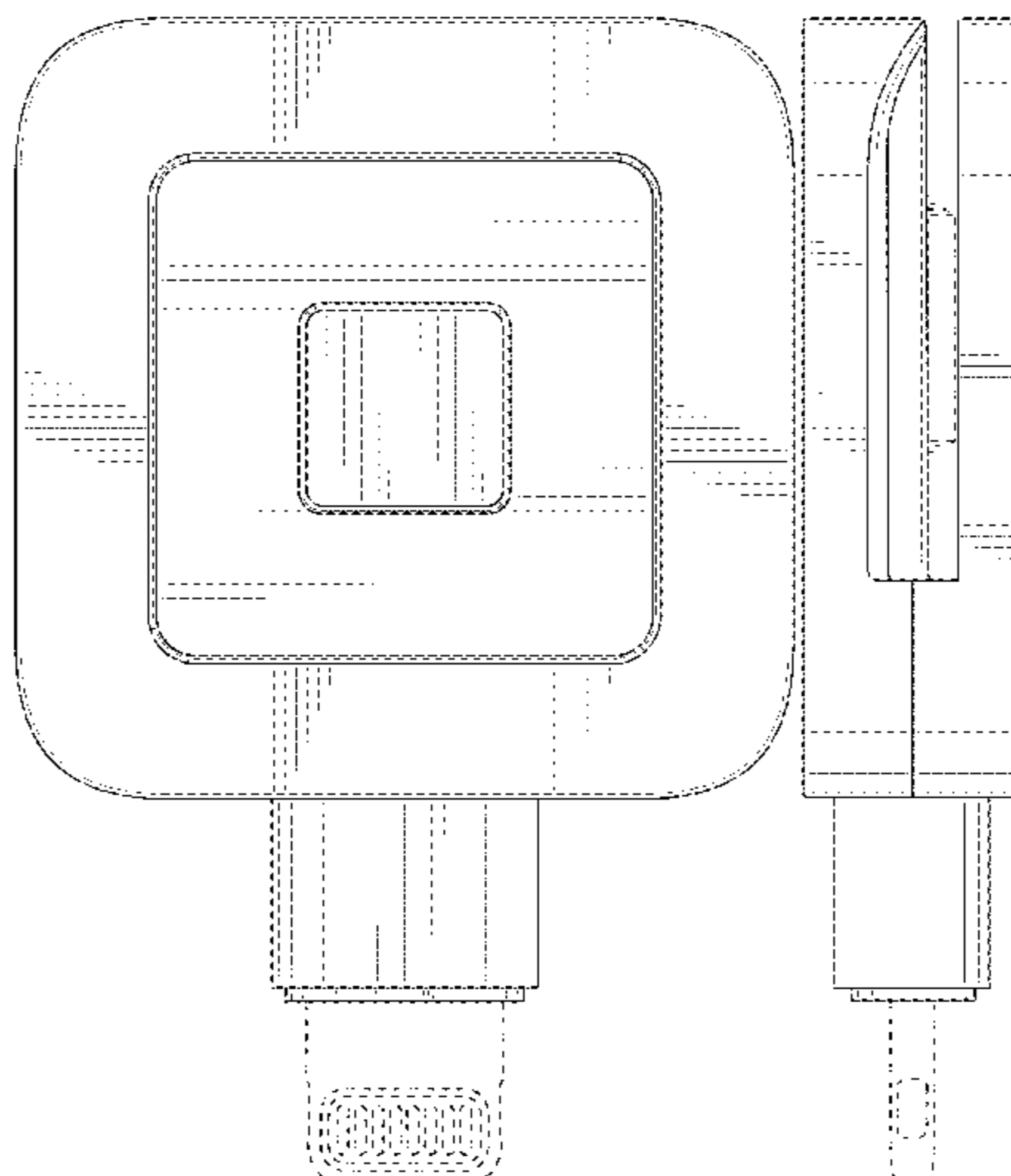


FIG. 6 is a top view thereof; and,
 FIG. 7 is a bottom view thereof.
 The dashed broken lines depict portions of the card reader
 device that form no part of the claimed design.

1 Claim, 7 Drawing Sheets

(56)

References Cited

U.S. PATENT DOCUMENTS

D675,618 S	2/2013	Behar et al.	
D680,537 S	4/2013	Miller et al.	
D686,208 S	7/2013	Miller et al.	
D700,606 S	3/2014	Lo	
D706,266 S	6/2014	Rotsaert	
D711,876 S	8/2014	Mcwilliam et al.	
D719,561 S *	12/2014	Akana	D14/314
D725,655 S	3/2015	Debaigue et al.	
D728,568 S	5/2015	Debaigue et al.	
D740,285 S *	10/2015	Templeton	D14/385
D740,286 S *	10/2015	Templeton	D14/385
D740,819 S	10/2015	Weber et al.	
D740,820 S *	10/2015	Templeton	D14/385
D762,651 S	8/2016	Edwards et al.	
D766,238 S *	9/2016	Nguyen	D14/385
D766,901 S *	9/2016	Nguyen	D14/385
D774,510 S	12/2016	Rotsaert	
D795,869 S	8/2017	Templeton	
D797,739 S *	9/2017	Templeton	D14/385
D797,740 S *	9/2017	Nguyen	D14/385
D822,023 S *	7/2018	Huff	D14/385
D829,274 S	9/2018	Huang	
D829,277 S *	9/2018	Seki	D18/50
D844,006 S	3/2019	Molnar	

D861,684 S	10/2019	Chen et al.	
D871,407 S *	12/2019	Isaacs	D14/385
D878,367 S	3/2020	Rotsaert	
D894,898 S *	9/2020	Nakhare	D14/385
D905,059 S *	12/2020	Martin	D14/385
D909,386 S	2/2021	Turksu et al.	
D911,346 S	2/2021	Turksu et al.	
D913,365 S *	3/2021	Chuang	D18/4.6
D918,909 S *	5/2021	Rotsaert	D14/385
D932,490 S *	10/2021	Martin	D14/385
2014/0131442 A1	5/2014	Morrow et al.	

FOREIGN PATENT DOCUMENTS

JP	1549035 S	5/2016
JP	1554788 S	7/2016

OTHER PUBLICATIONS

Notice of Allowance dated Jun. 9, 2015 for Design U.S. Appl. No. 29/487,975, of Weber T. et al., filed Apr. 14, 2014.

Notice of Allowance dated Apr. 9, 2021 for U.S. Appl. No. 29/762,013 of Martin, J., et al., filed Dec. 14, 2020.

Examination report for CA Design Application No. 185694 dated Jan. 10, 2020.

Notification to Grant Patent Right for CN Design Application No. 2019300317655 dated Sep. 3, 2019.

Certificate of Patent for CN Design Application No. 2019300317655 dated Nov. 29, 2019.

Examination Report for CA Design Application No. 194449 dated Nov. 30, 2020.

Examination Report for CA Design Application No. 185694 dated Nov. 30, 2020.

Notice of Allowance dated Jun. 1, 2021 for U.S. Appl. No. 29/762,013 of Martin, J., et al., filed Dec. 14, 2020.

* cited by examiner

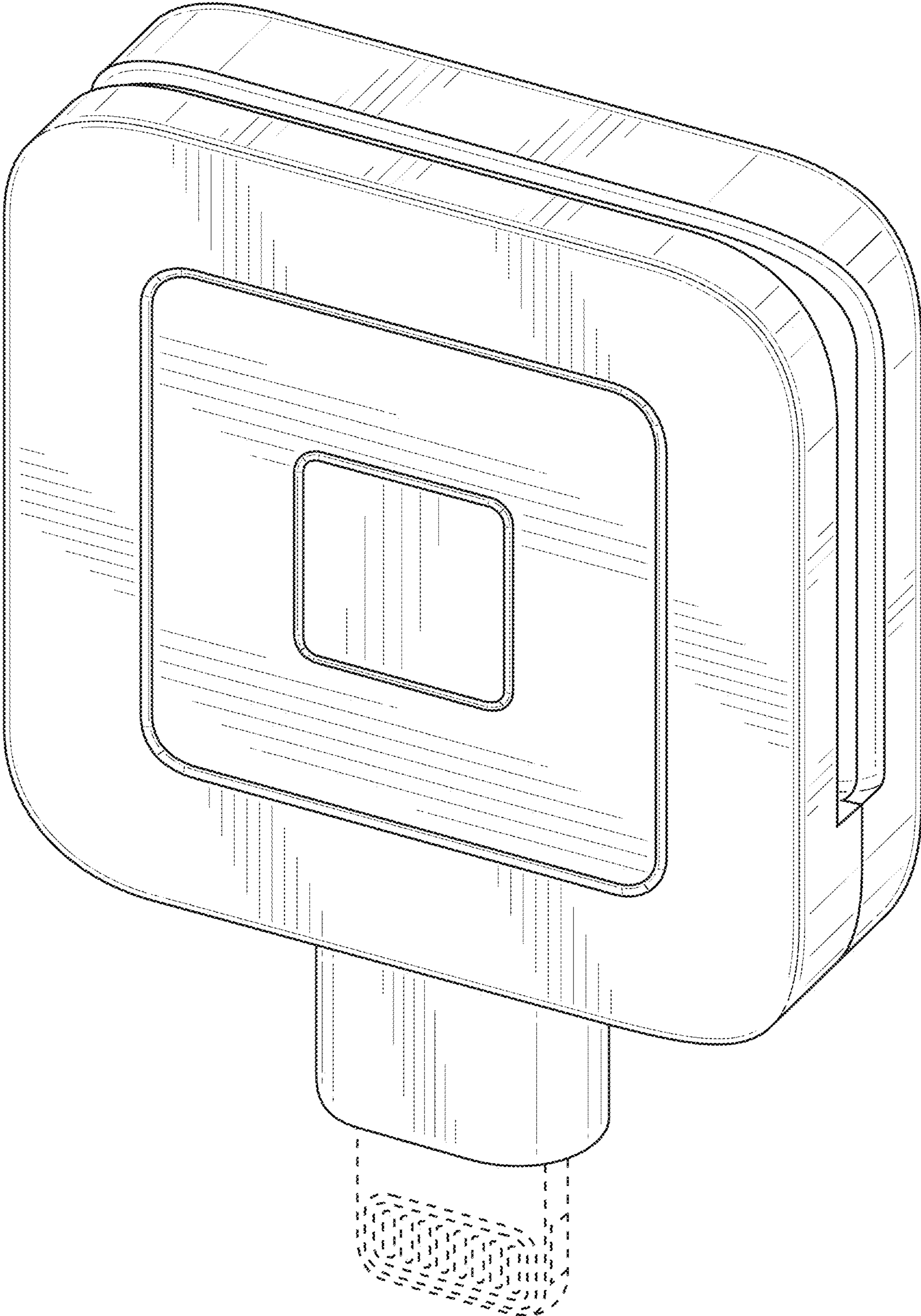


FIG. 1

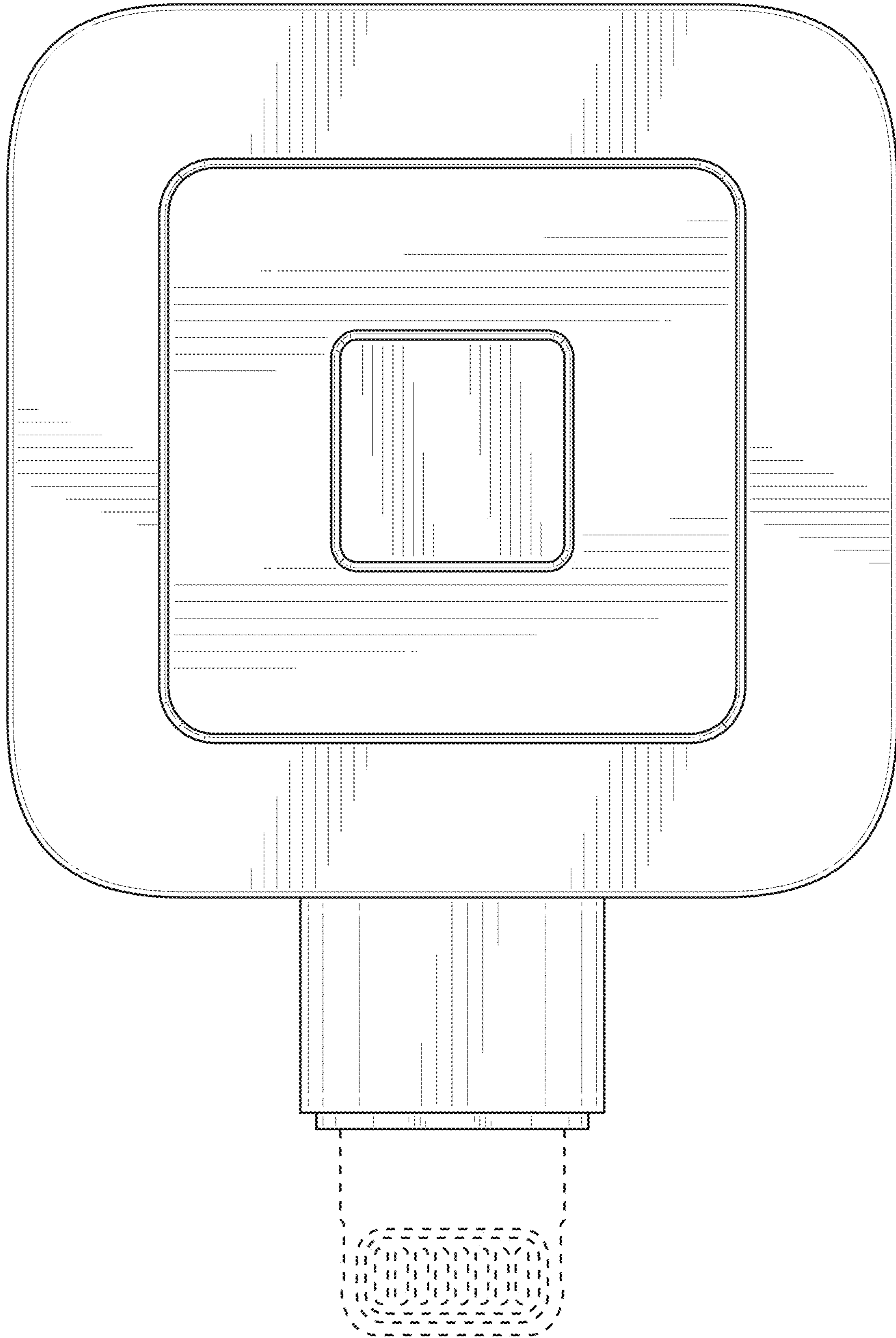


FIG. 2

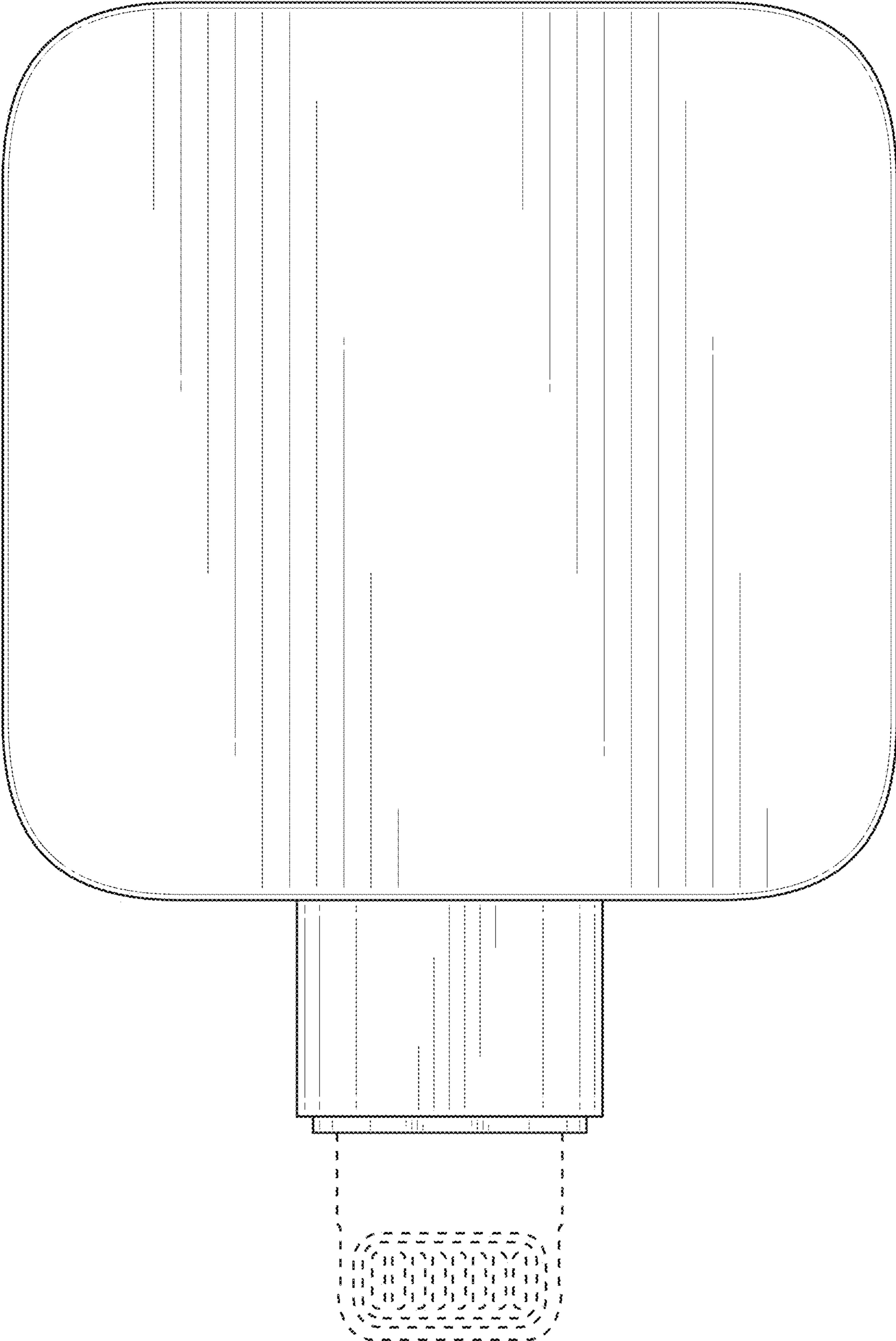


FIG. 3

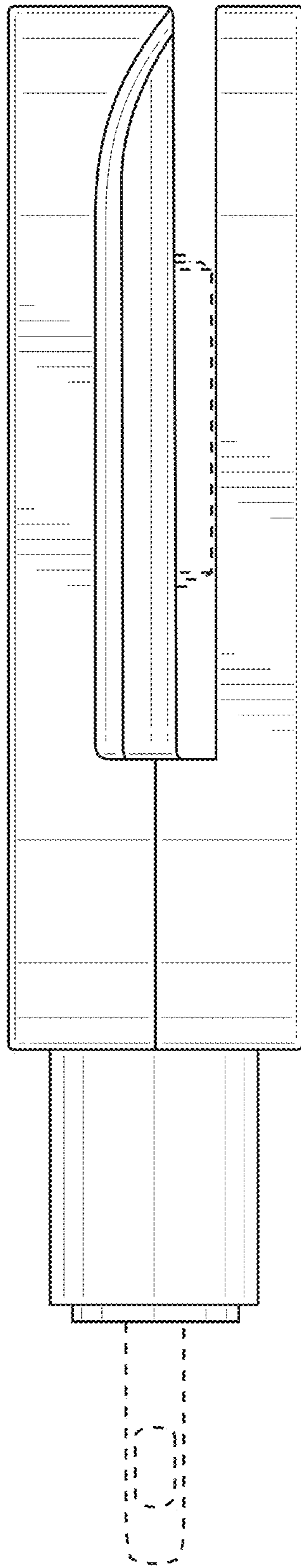


FIG. 4

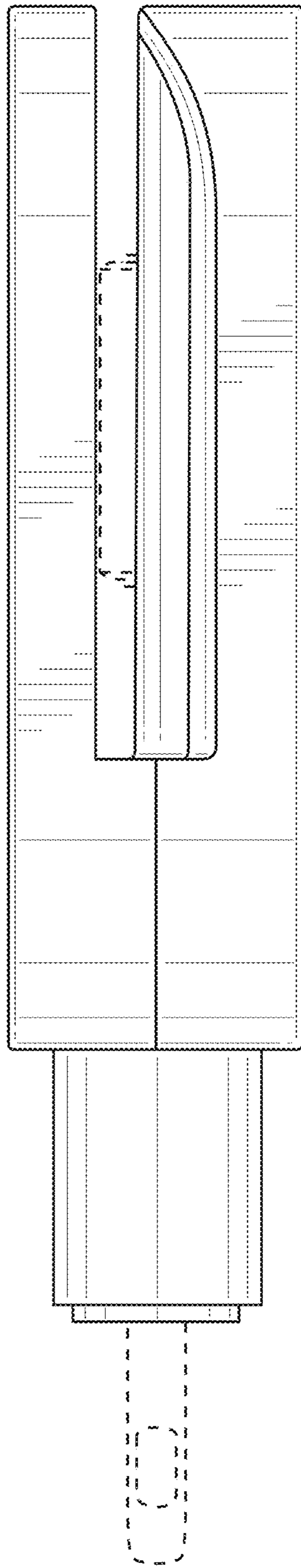


FIG. 5

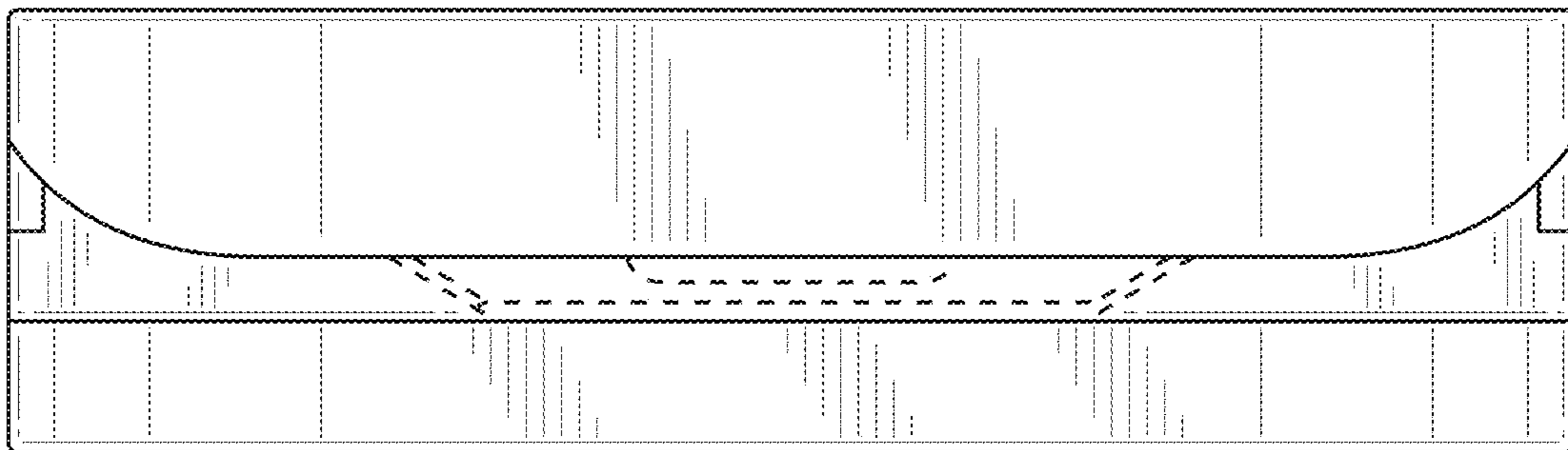


FIG. 6

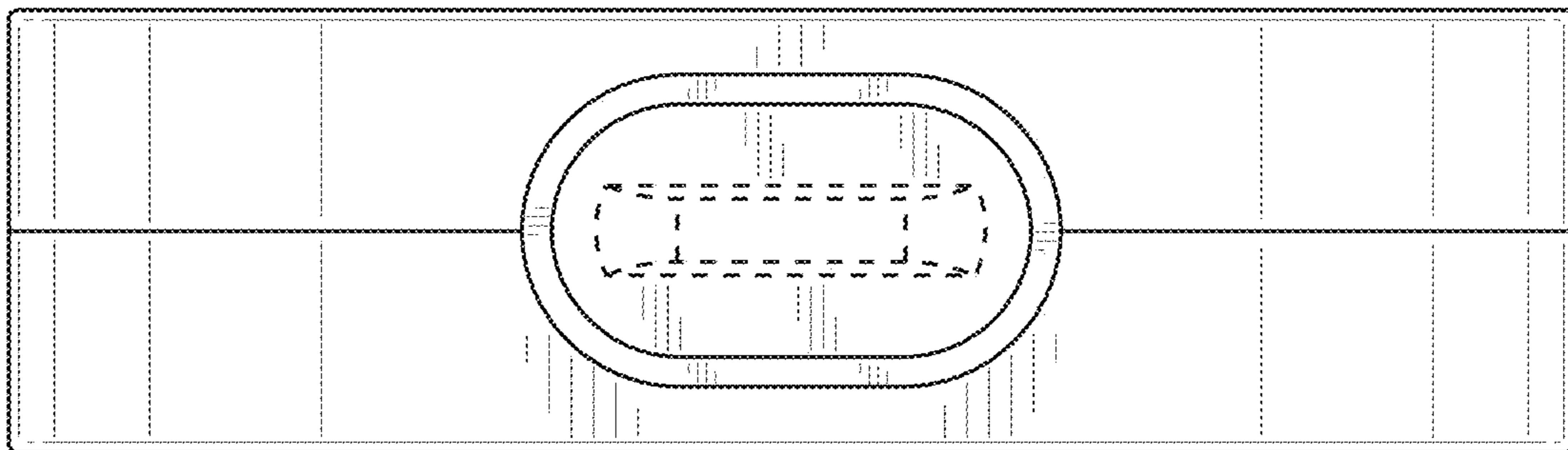


FIG. 7