



US00D951254S

(12) **United States Design Patent**  
**Chen**

(10) **Patent No.:** **US D951,254 S**  
(45) **Date of Patent:** **\*\* May 10, 2022**

- (54) **ELECTRONIC DEVICE**
- (71) Applicant: **Block, Inc.**, San Francisco, CA (US)
- (72) Inventor: **Yenliang Chen**, San Francisco, CA (US)
- (73) Assignee: **Block, Inc.**, San Francisco, CA (US)
- (\*\*) Term: **15 Years**
- (21) Appl. No.: **29/802,928**
- (22) Filed: **Aug. 9, 2021**

- D458,923 S 6/2002 Freitag et al.
- D497,318 S 10/2004 Strand et al.
- D549,708 S 8/2007 Phillips et al.
- D605,588 S 12/2009 Nomi et al.
- D626,550 S \* 11/2010 Julien ..... D14/341
- D682,273 S \* 5/2013 Taunay da Graca Cuoto ..... D14/385
- D706,337 S \* 6/2014 Blacken ..... D18/14
- D730,899 S 6/2015 Daniel
- D752,051 S \* 3/2016 Chen ..... D14/434
- D791,223 S 7/2017 Blanc
- D813,240 S 3/2018 Yeruva et al.
- D844,698 S 4/2019 Isaacs et al.
- D880,580 S \* 4/2020 Wang ..... D18/4.4
- D893,482 S \* 8/2020 DeFazio ..... D14/385

(Continued)

**Related U.S. Application Data**

- (62) Division of application No. 29/761,988, filed on Dec. 14, 2020, now Pat. No. Des. 927,487, which is a division of application No. 29/654,221, filed on Jun. 21, 2018, now Pat. No. Des. 905,058.

- (51) **LOC (13) Cl.** ..... **14-02**
- (52) **U.S. Cl.**  
USPC ..... **D14/385**

- (58) **Field of Classification Search**  
USPC ..... D18/4.4, 4.5, 4.6, 12, 12.1, 12.3;  
D14/383, 384, 385, 386, 378, 420, 427,  
D14/432-439, 447, 453; D13/107, 108,  
D13/133, 146, 147, 152, 154, 156;  
235/441, 451, 492, 380, 439, 375  
CPC ..... G06K 19/07749; G06K 19/0723; G06K  
19/041; G06K 19/07758; G06K 19/0775;  
G06K 19/07783; G06K 19/07794; G06K  
19/06046; G06K 19/07722; G06K  
19/07773; G06K 19/07779; G06K  
19/07784; G06K 19/07786; G06K  
19/0709

See application file for complete search history.

(56) **References Cited**

**U.S. PATENT DOCUMENTS**

- D275,482 S 9/1984 Coons et al.
- D341,567 S 11/1993 Acker et al.

**OTHER PUBLICATIONS**

Restriction Requirement dated Apr. 6, 2020, for U.S. Appl. No. 29/654,221 of Chen Y., et al., filed Jun. 21, 2018.

(Continued)

*Primary Examiner* — Austin Murphy  
(74) *Attorney, Agent, or Firm* — Lee & Hayes, P.C.

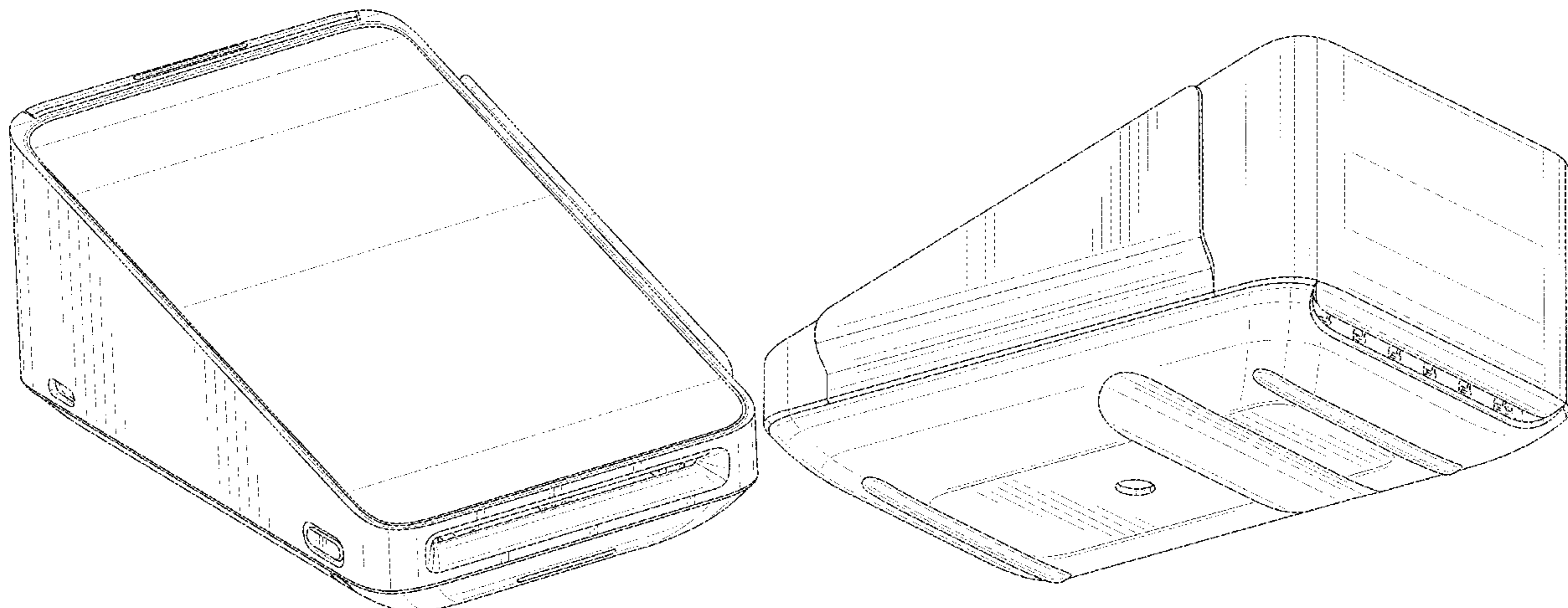
(57) **CLAIM**

The ornamental design for an electronic device, as shown and described.

**DESCRIPTION**

FIG. 1 is a top perspective view of an electronic device; FIG. 2 is a bottom perspective view thereof; FIG. 3 is a front view thereof; FIG. 4 is a back view thereof; FIG. 5 is a left-side view thereof; FIG. 6 is a right-side view thereof; FIG. 7 is a top view thereof; and, FIG. 8 is a bottom view thereof. The dashed broken lines depict portions of the electronic device which form no part of the claimed design.

**1 Claim, 8 Drawing Sheets**



(56)

**References Cited**

U.S. PATENT DOCUMENTS

D905,058 S \* 12/2020 Chen ..... D14/385  
D909,469 S \* 2/2021 Watanabe ..... D18/4.6  
D916,089 S \* 4/2021 DeFazio ..... D14/385  
D919,699 S \* 5/2021 Fuhs ..... D18/4.6  
D927,487 S \* 8/2021 Chen ..... D14/385  
2016/0335037 A1\* 11/2016 Baranowski ..... B41J 2/315  
2019/0012491 A1\* 1/2019 Su ..... G07G 1/12

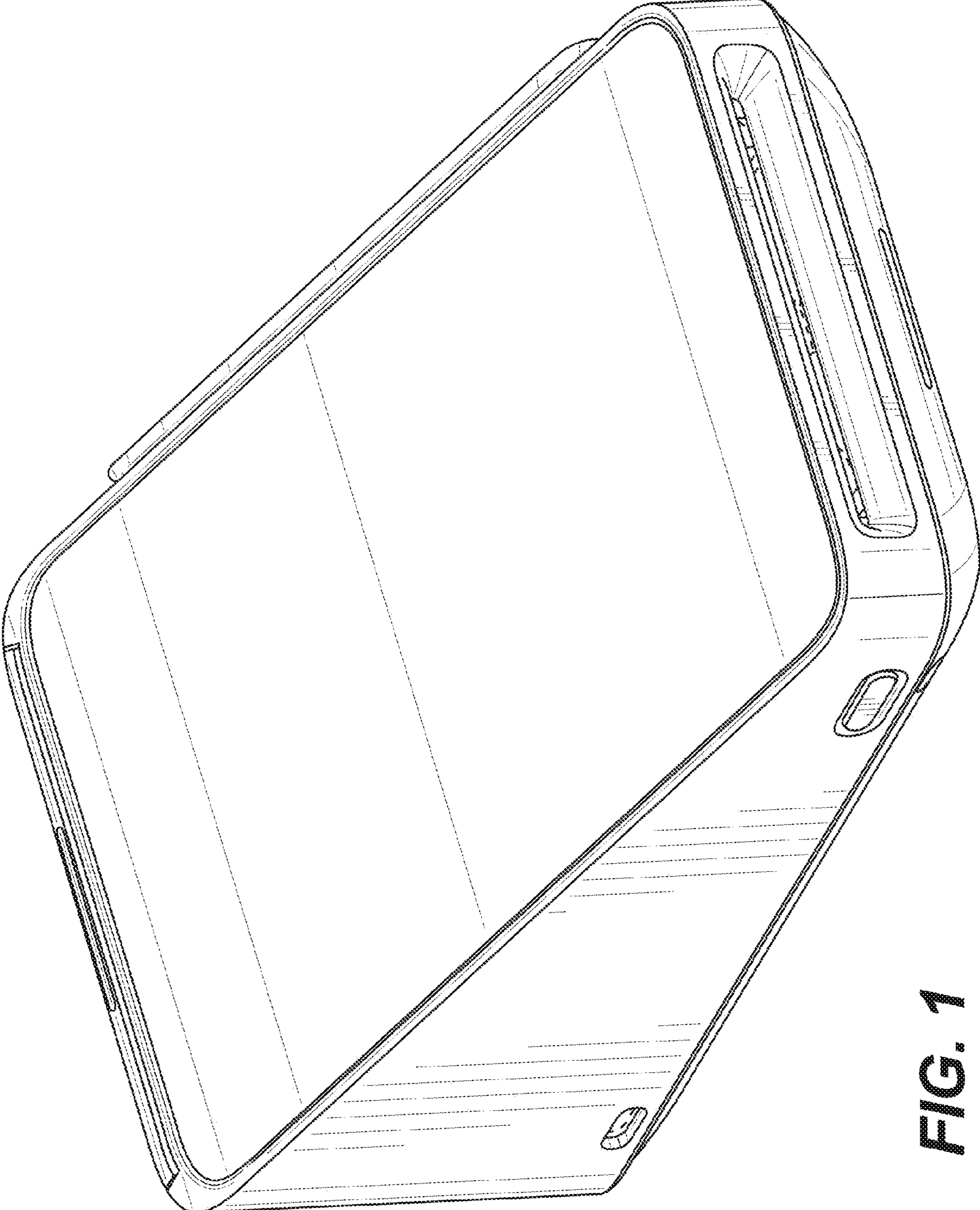
OTHER PUBLICATIONS

Examination Report for CA Application No. 185174 dated Nov. 19, 2019.

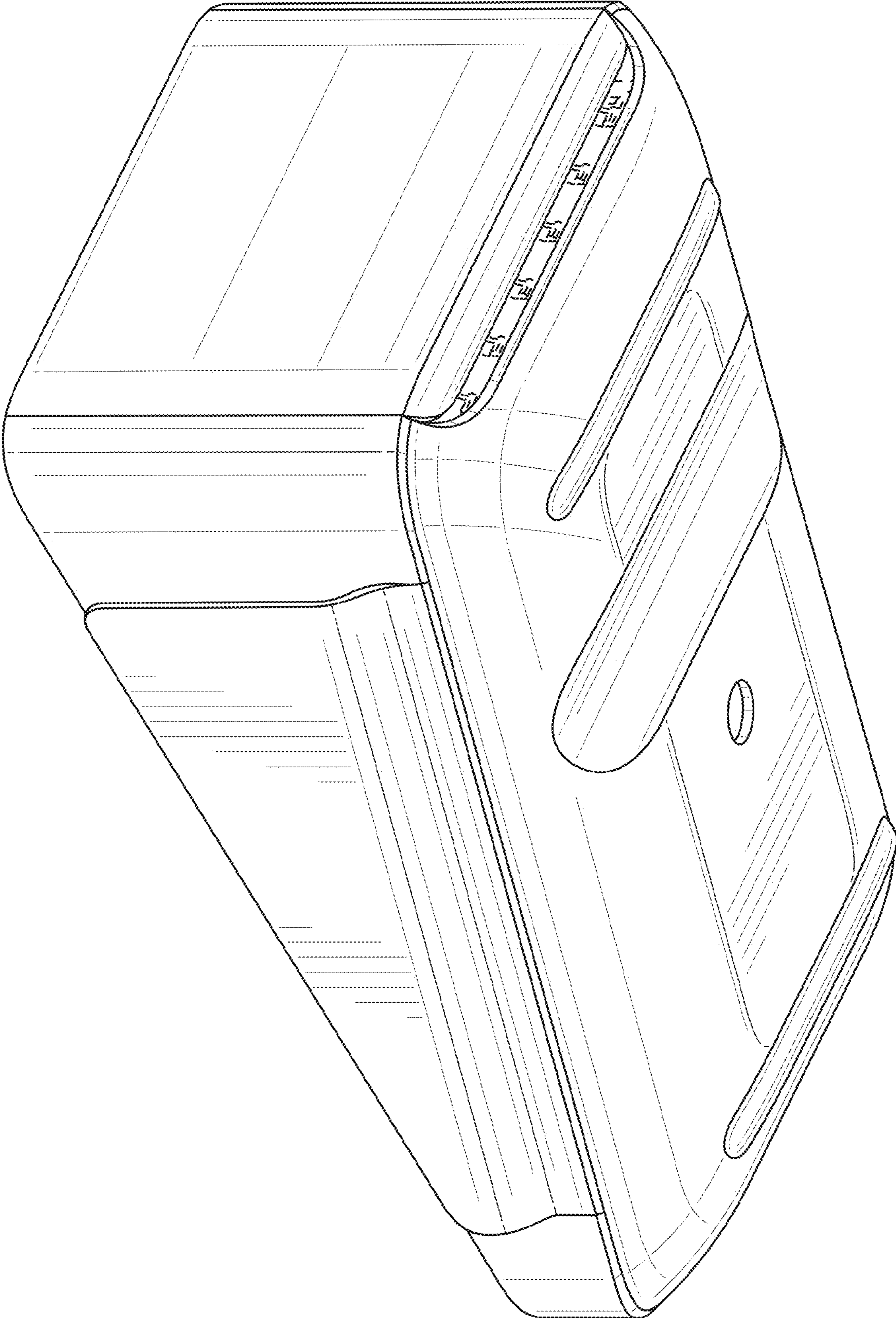
Notice of Allowance dated Aug. 14, 2020, for U.S. Appl. No. 29/654,221 of Chen Y., et al., filed Jun. 21, 2018.

Notice of Allowance dated Apr. 9, 2021, for U.S. Appl. No. 29/761,988 of Chen Y., et al., filed Jun. 21, 2018.

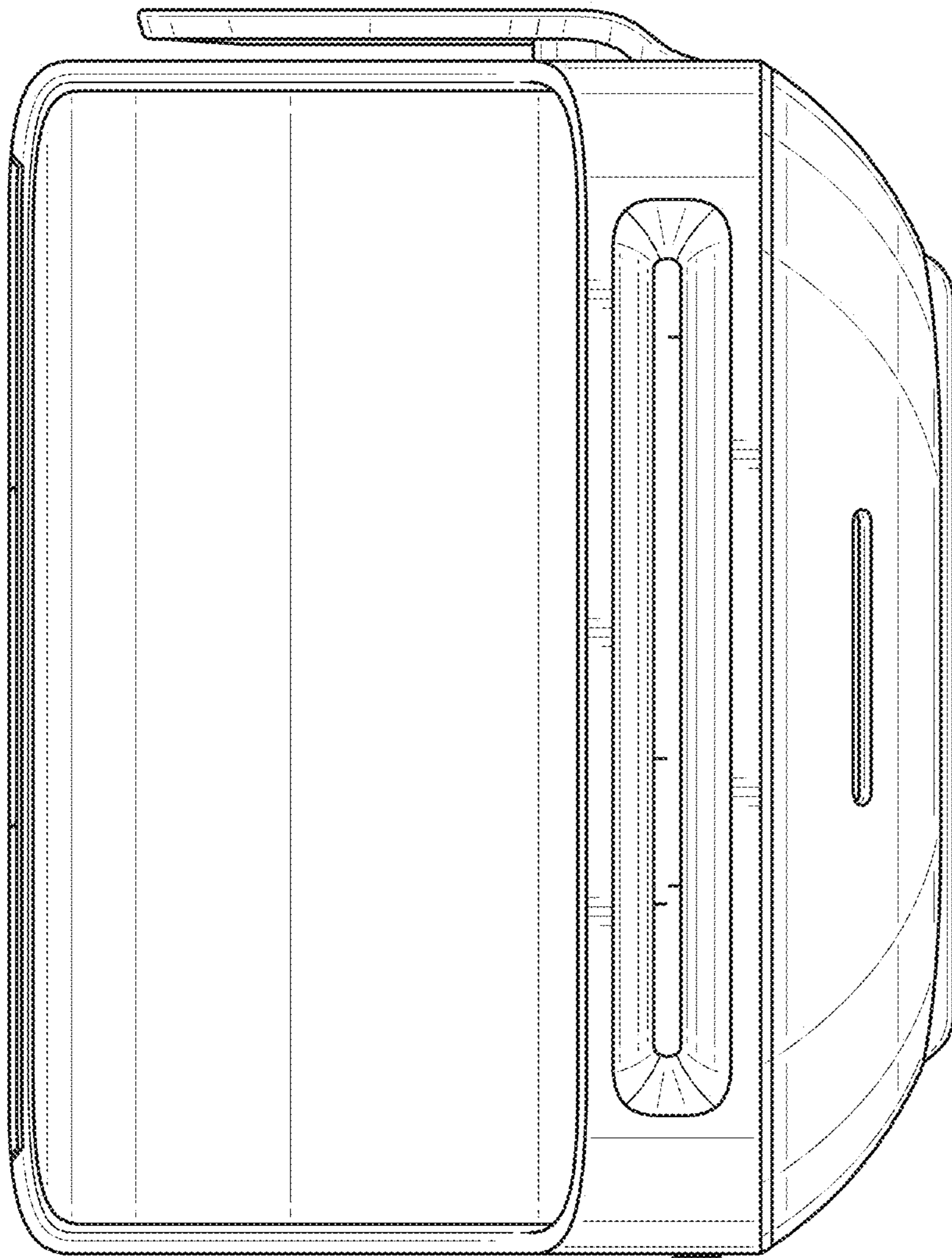
\* cited by examiner



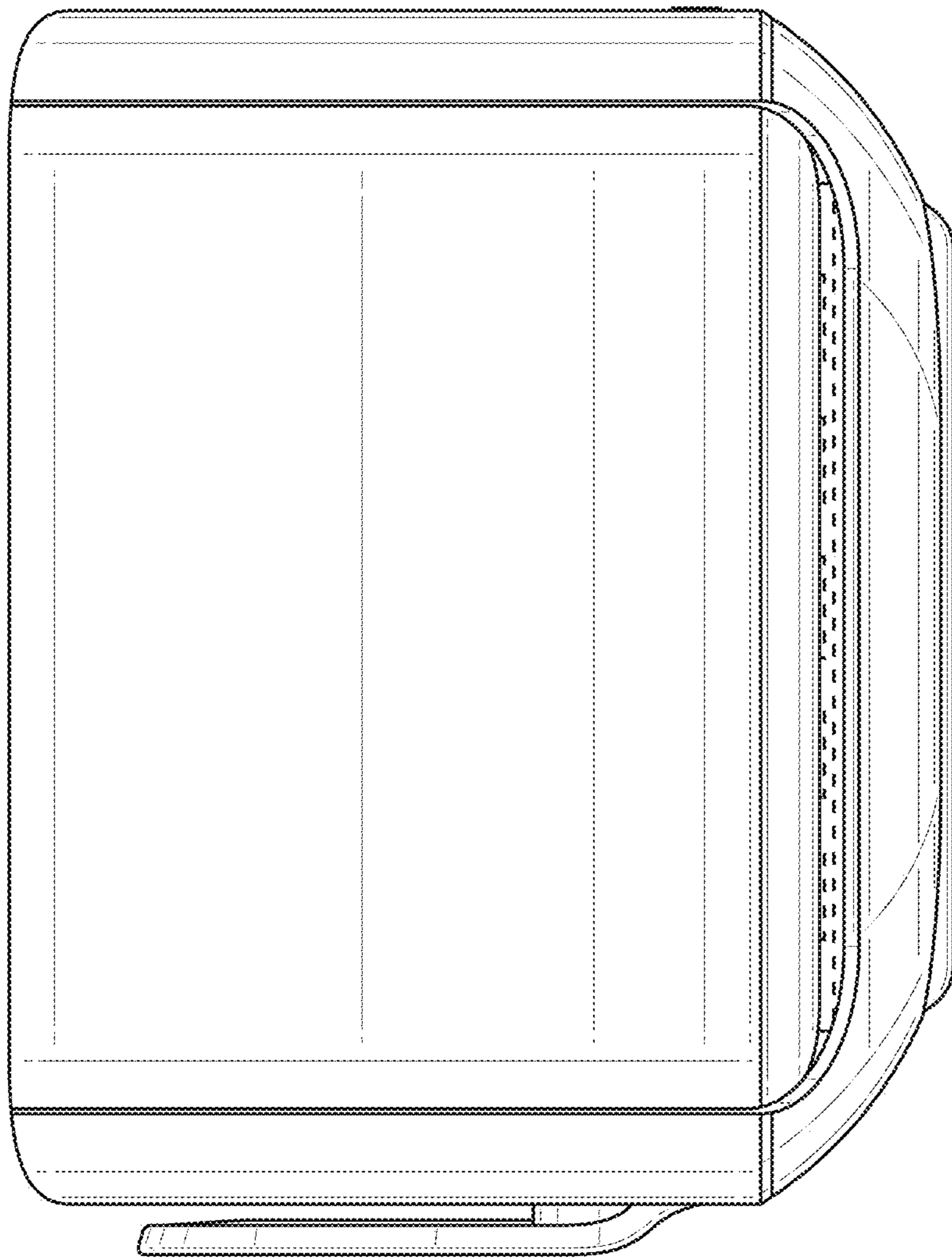
**FIG. 1**



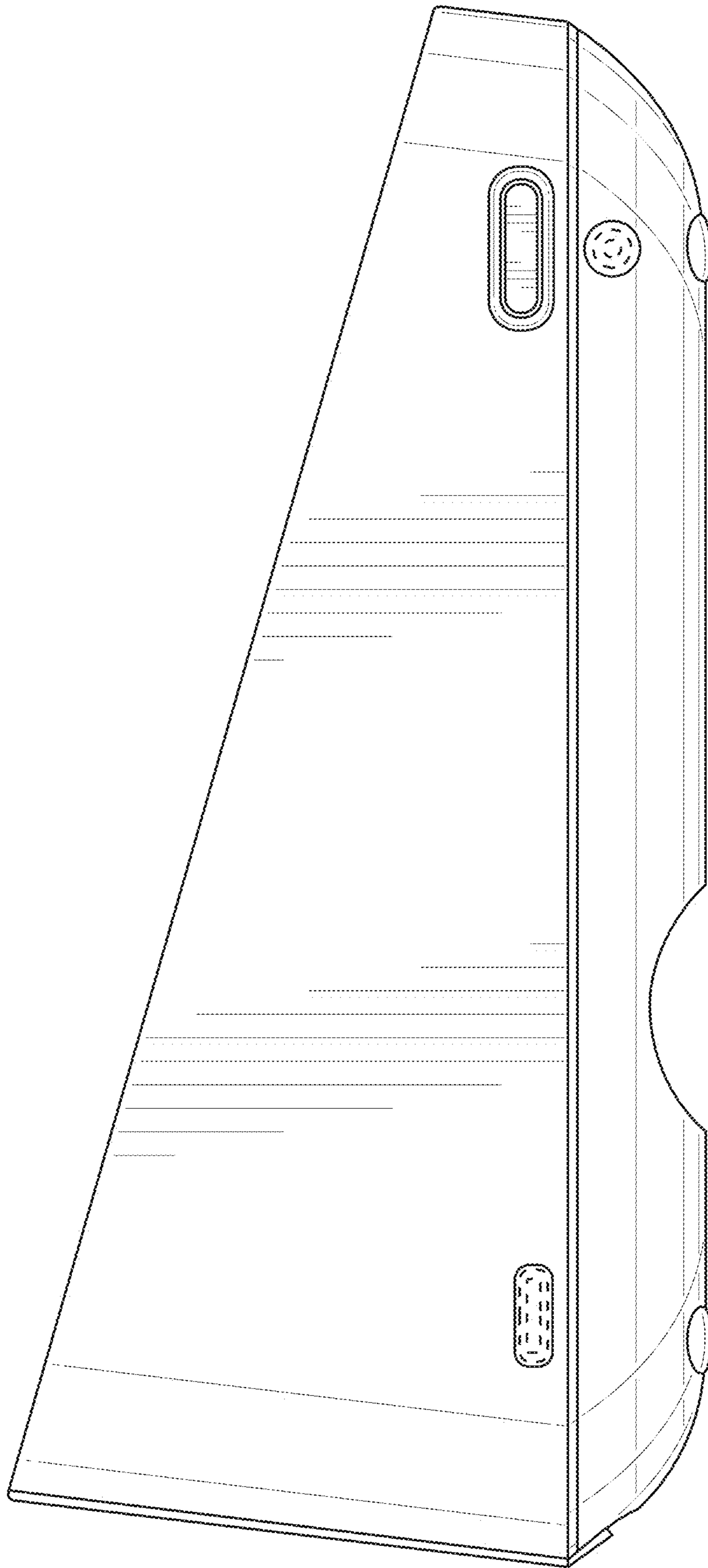
**FIG. 2**



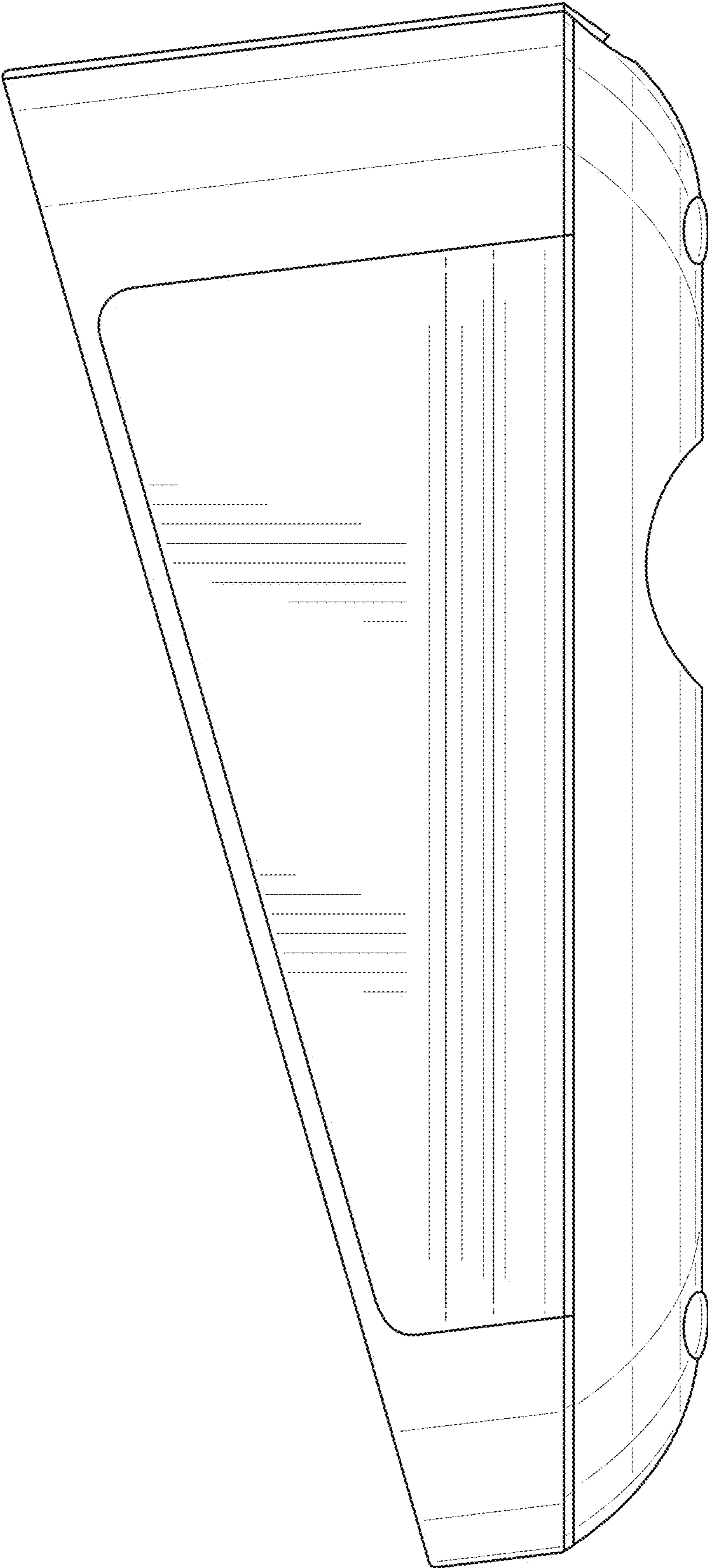
**FIG. 3**



**FIG. 4**



**FIG. 5**

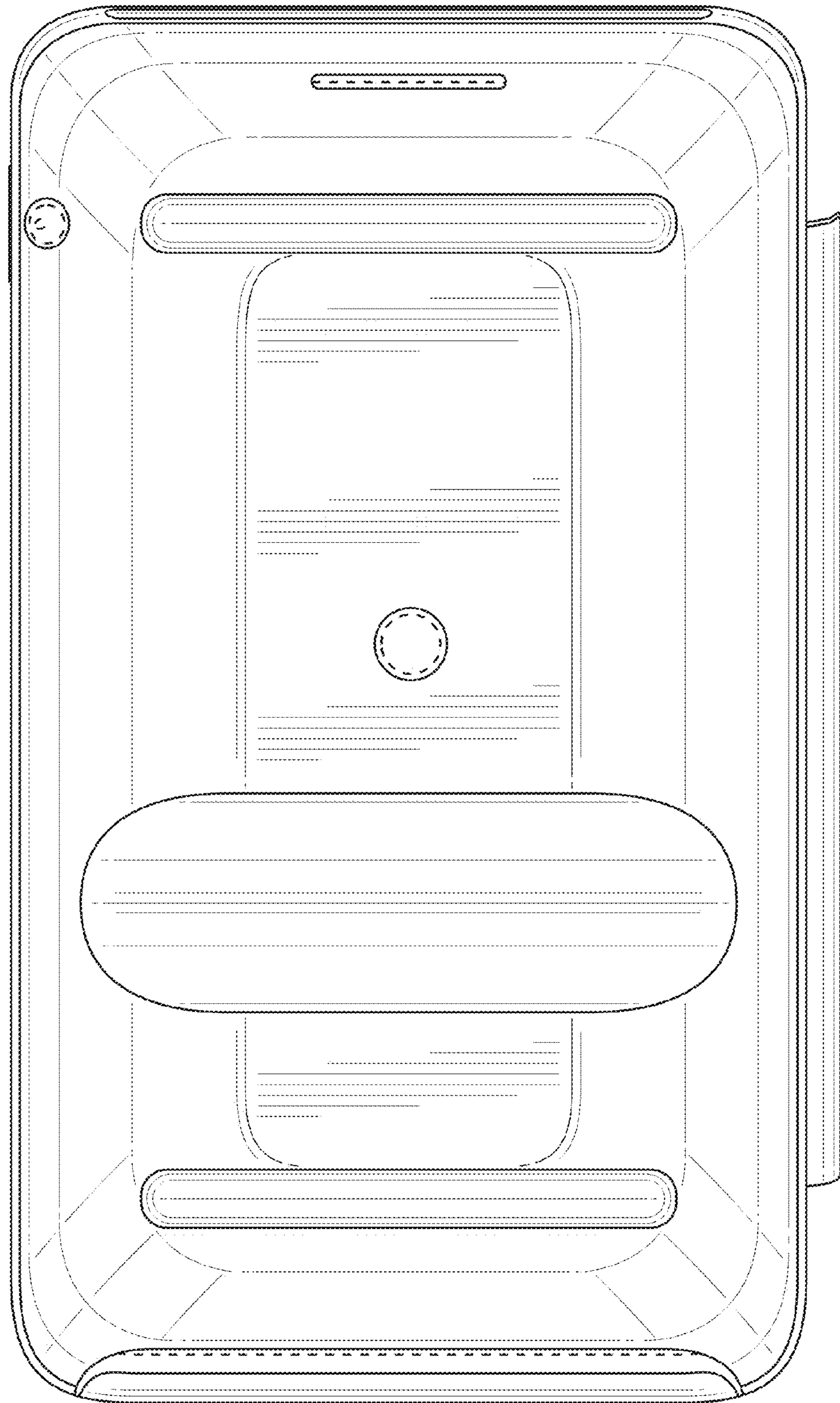


**FIG. 6**





**FIG. 7**



**FIG. 8**