



US00D951253S

(12) **United States Design Patent** (10) **Patent No.:** **US D951,253 S**
Wang et al. (45) **Date of Patent:** **** May 10, 2022**

(54) **COMPUTER MONITOR**

(56) **References Cited**

(71) Applicant: **BEIJING XIAOMI MOBILE SOFTWARE CO., LTD.**, Beijing (CN)

U.S. PATENT DOCUMENTS

(72) Inventors: **Hongwei Wang**, Beijing (CN); **Ningning Li**, Beijing (CN); **Lei Zhang**, Beijing (CN)

D734,280 S *	7/2015	Choi	D14/126
D761,256 S *	7/2016	Lee	D14/371
D812,614 S *	3/2018	Lee	D14/375
D812,615 S *	3/2018	Lee	D14/375
D819,029 S *	5/2018	Seo	D14/374
D934,245 S *	10/2021	Han	D14/374

(73) Assignee: **BEIJING XIAOMI MOBILE SOFTWARE CO., LTD.**, Beijing (CN)

* cited by examiner

(**) Term: **15 Years**

Primary Examiner — Keli L Hill

(21) Appl. No.: **35/511,006**

(74) *Attorney, Agent, or Firm* — Syncoda LLC; Feng Ma

(22) Filed: **Jun. 23, 2020**

(57) **CLAIM**

(80) **Hague Agreement Data**

The ornamental design for a computer monitor, as shown and described.

Int. Filing Date: **Jun. 23, 2020**

Int. Reg. No.: **DM/210411**

Int. Reg. Date: **Jun. 23, 2020**

Int. Reg. Pub. Date: **Dec. 25, 2020**

DESCRIPTION

(30) **Foreign Application Priority Data**

Jan. 14, 2020 (CN) 202030023139.4

(51) **LOC (13) Cl.** **14-02**

(52) **U.S. Cl.**
USPC **D14/374**

(58) **Field of Classification Search**
USPC D14/126, 239, 336, 371–382, 448, 450,
D14/451; D21/329, 332, 515; D6/310,
D6/312

CPC G06F 1/16; G06F 1/1601; G06F 1/1637;
H04N 5/64; H05K 5/0204; H05K 5/0004;
H05K 5/0017; H05K 5/0217

See application file for complete search history.

1. Computer monitor

1.1 : Front

1.2 : Back

1.3 : Left

1.4 : Right

1.5 : Top

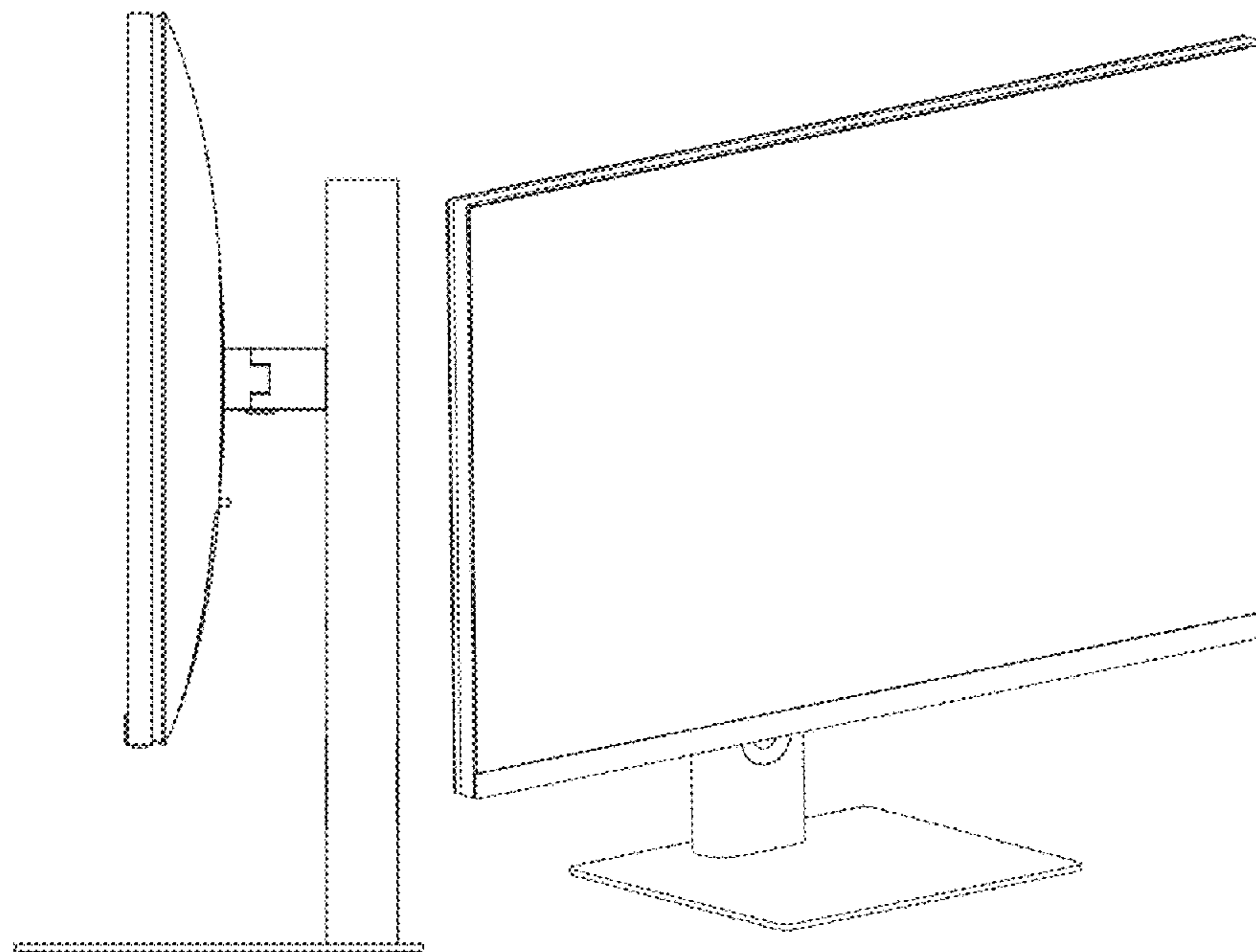
1.6 : Bottom

1.7 : Perspective view 1

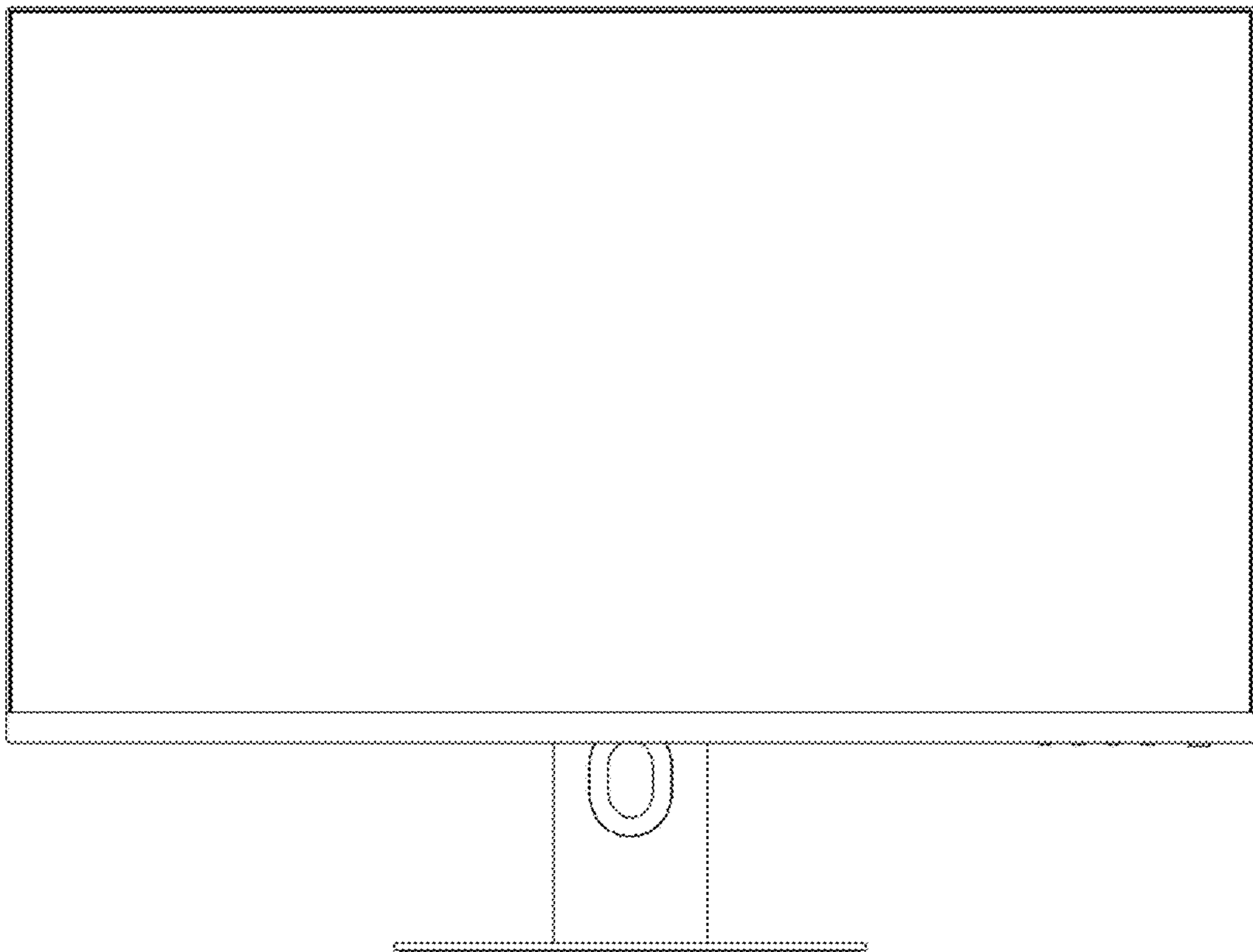
1.8 : Perspective view 2

The product incorporating the design is used for displaying information; the drawing designated to best show the essential features of the design is the perspective view 1. The broken lines shown in the drawings represent unclaimed portions of the computer monitor and form no part of the claimed design.

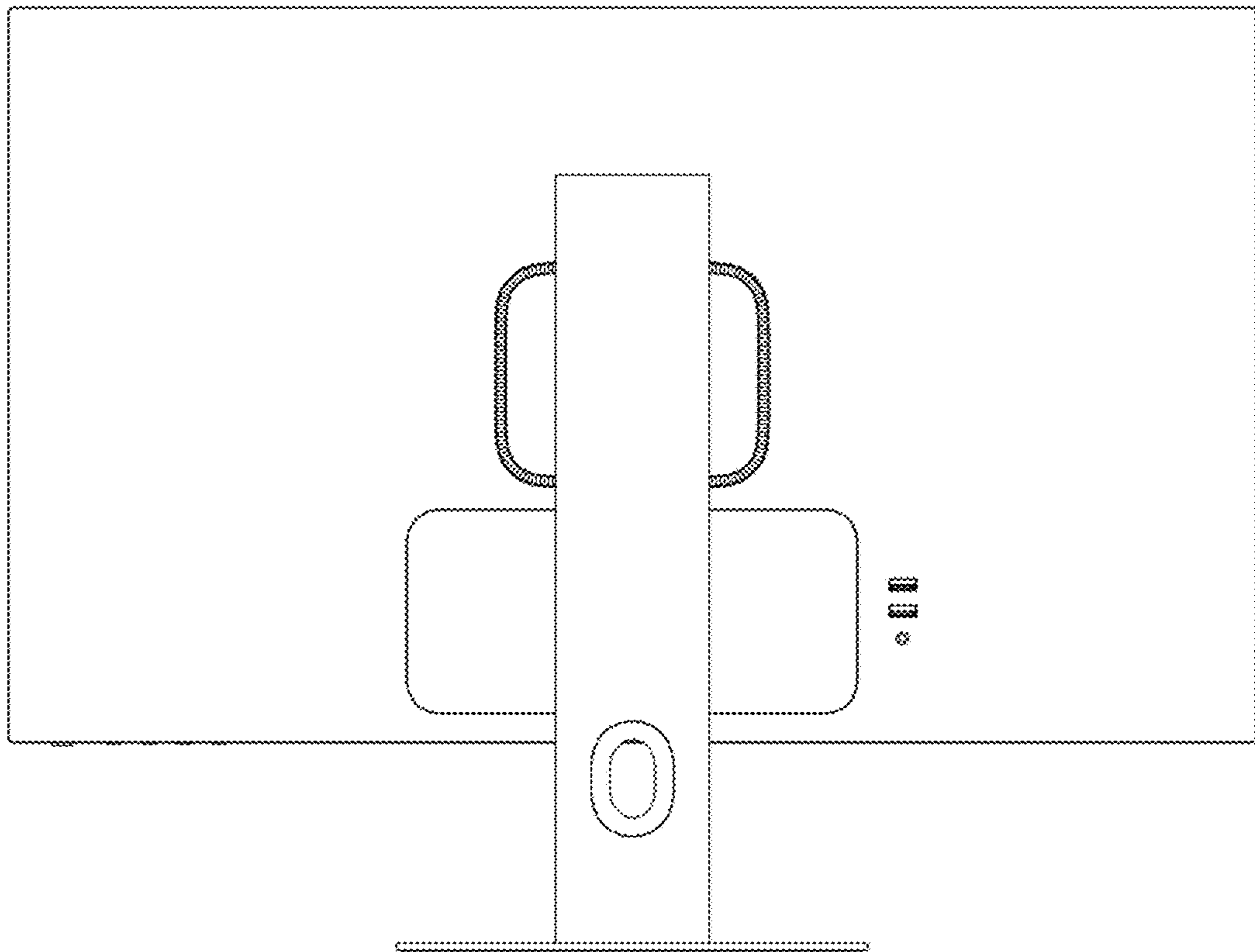
1 Claim, 8 Drawing Sheets



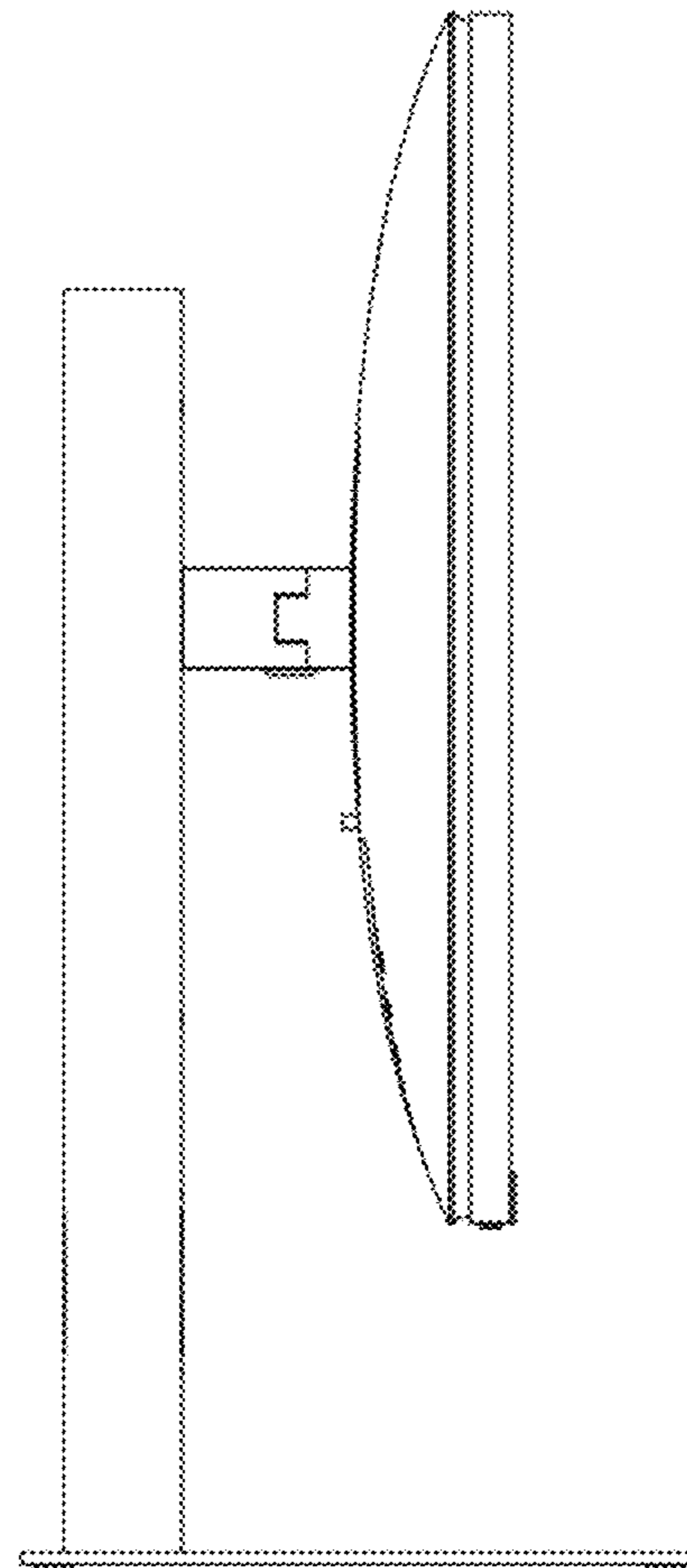
1.1



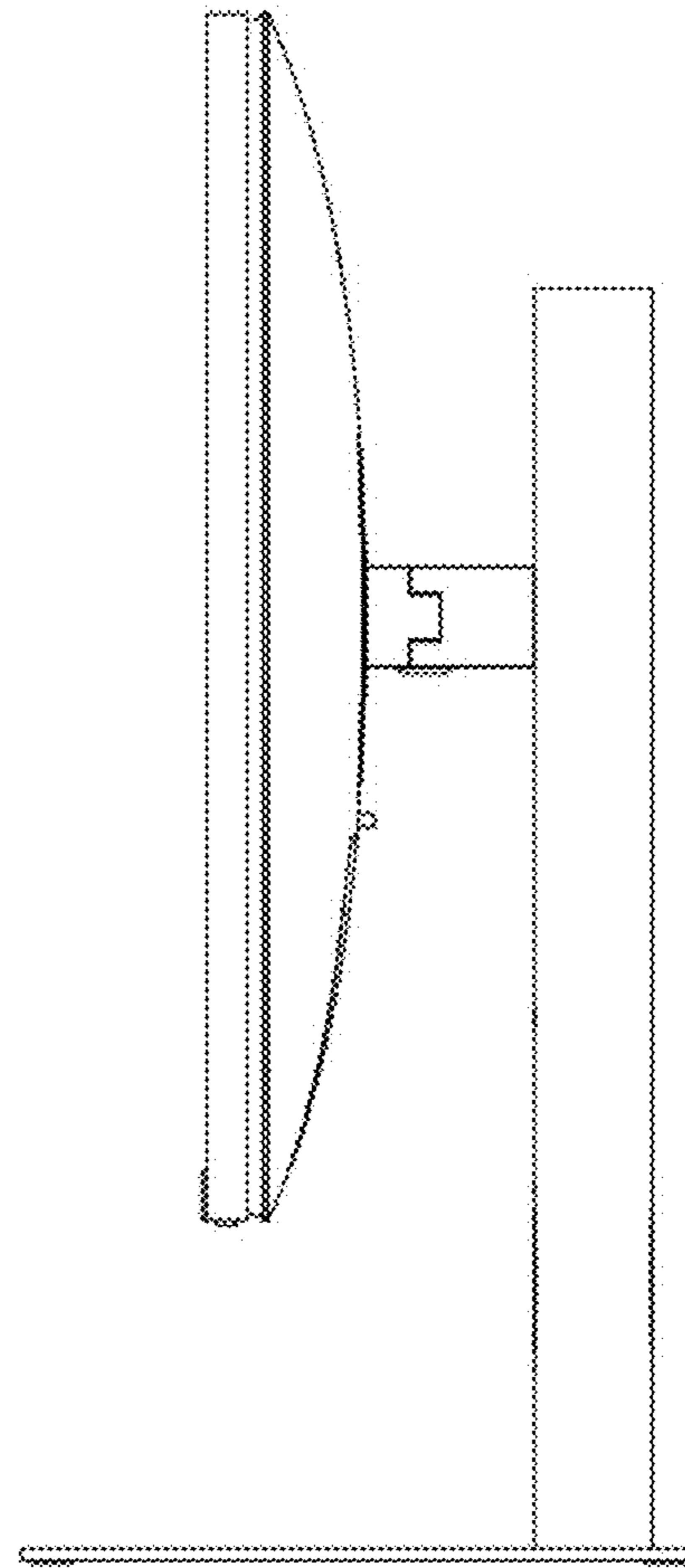
1.2



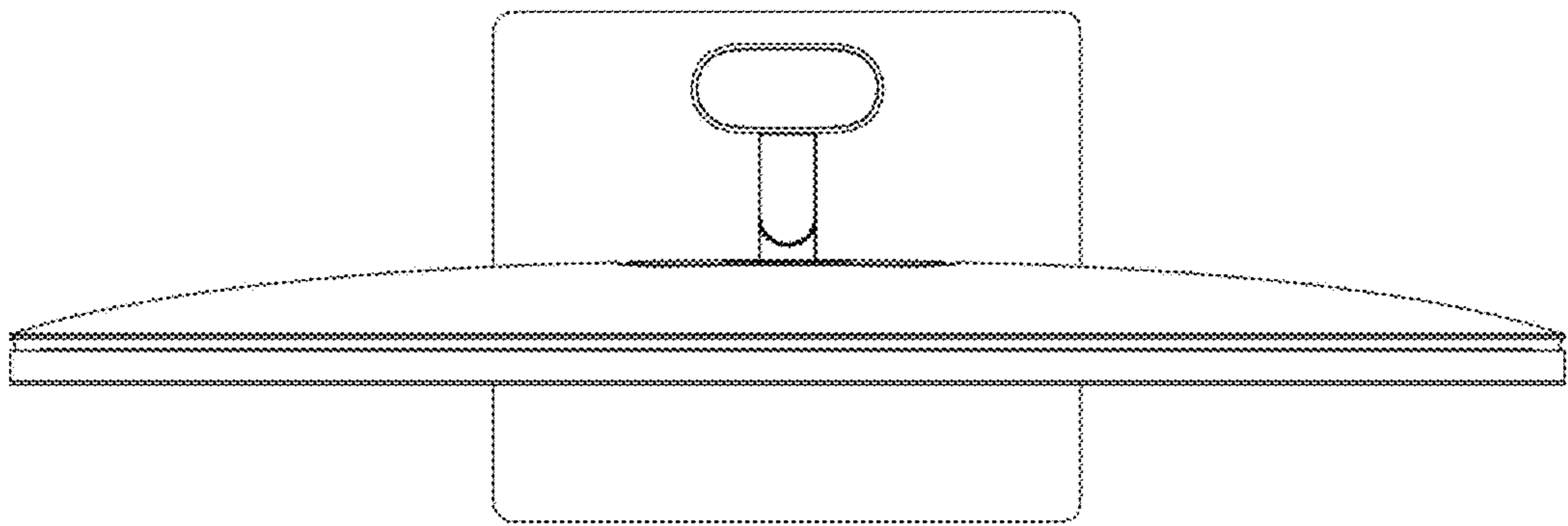
1.3

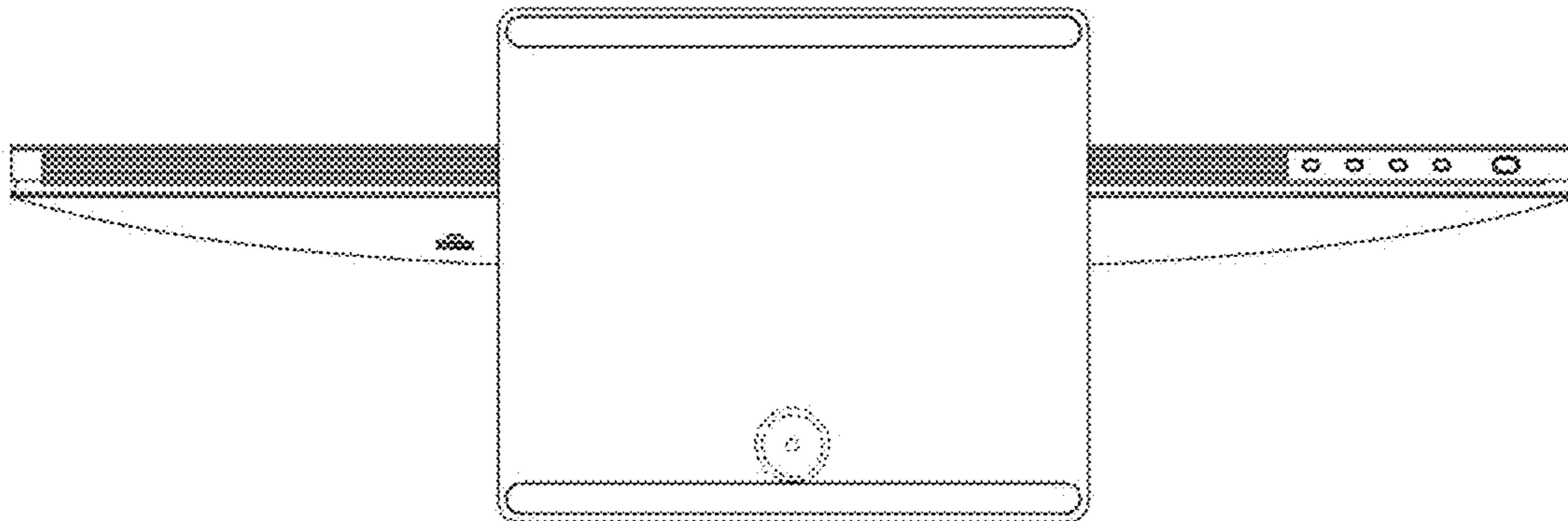


1.4

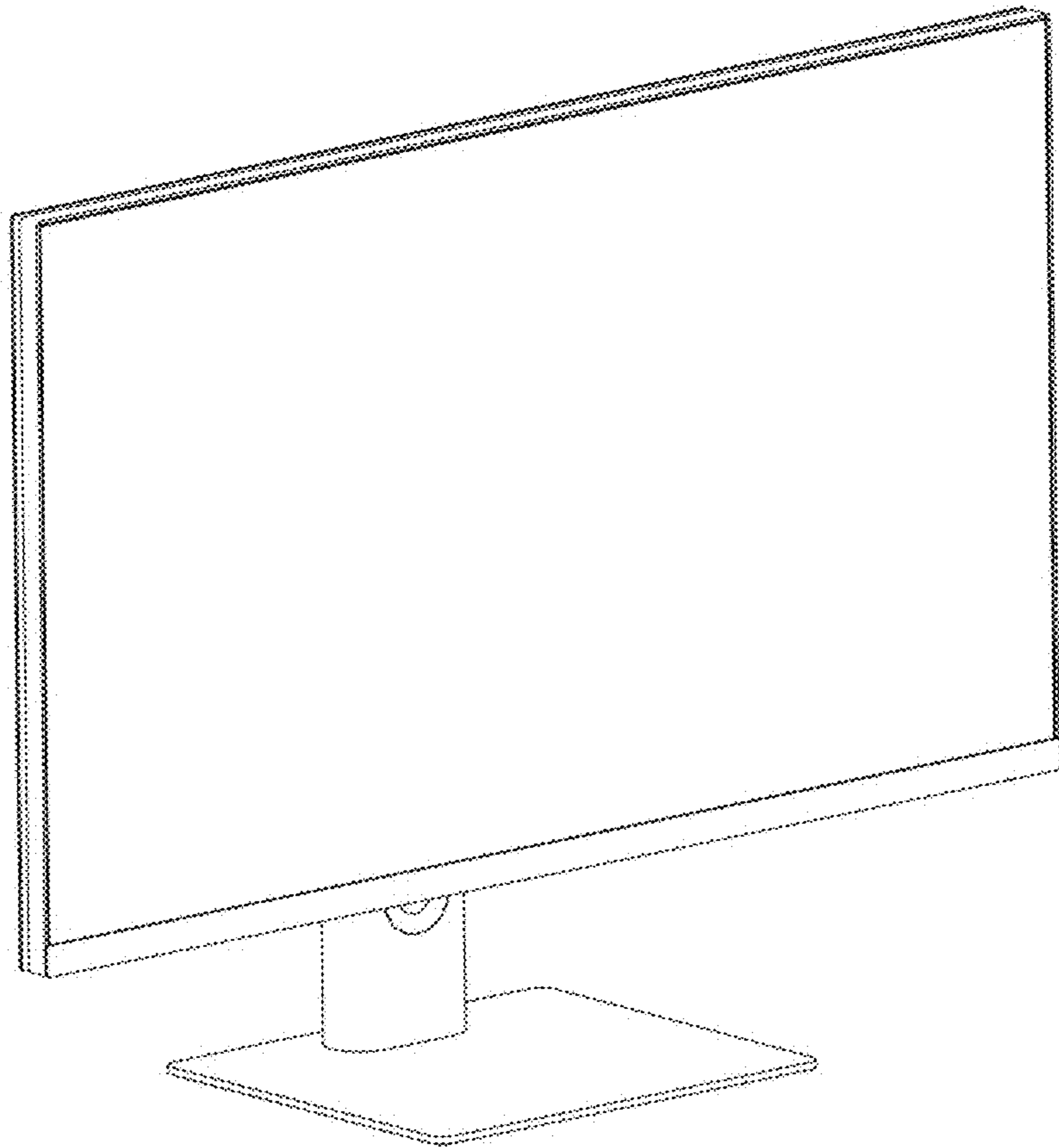


1.5

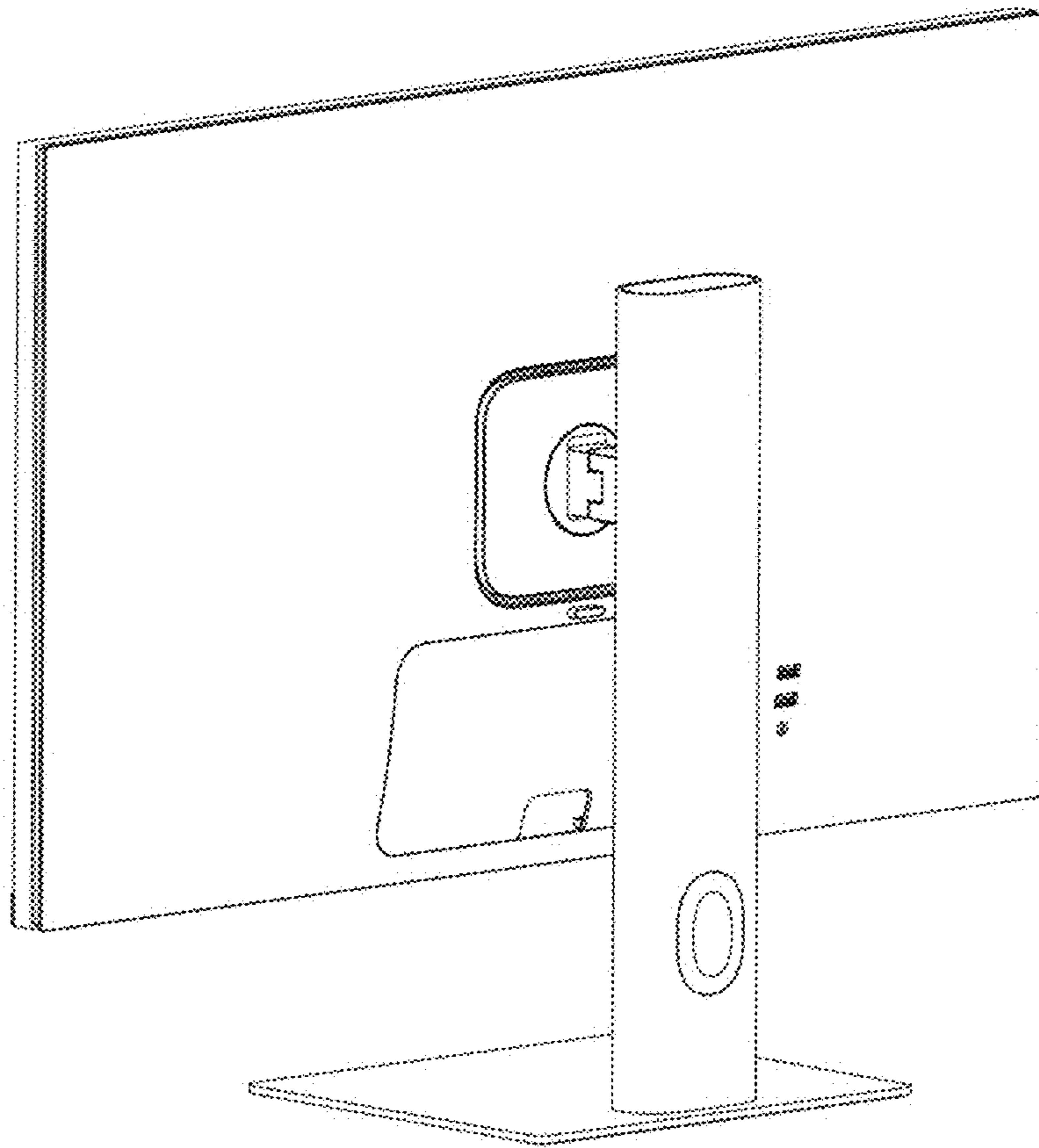




1.6



1.7



1.8