



US00D951252S

(12) **United States Design Patent**  
**Ochi et al.**

(10) **Patent No.:** **US D951,252 S**

(45) **Date of Patent:** **\*\* May 10, 2022**

(54) **DISPLAY PANEL**

(74) *Attorney, Agent, or Firm* — K&L Gates LLP

(71) Applicant: **Japan Display Inc.**, Tokyo (JP)

(57) **CLAIM**

(72) Inventors: **Tetsuro Ochi**, Tokyo (JP); **Taro Ichimura**, Tokyo (JP)

The ornamental design for a display panel, as shown and described.

(73) Assignee: **Japan Display Inc.**, Tokyo (JP)

(\*\*) Term: **15 Years**

(21) Appl. No.: **29/714,818**

(22) Filed: **Nov. 26, 2019**

(30) **Foreign Application Priority Data**

May 28, 2019 (JP) ..... 2019-011619

May 28, 2019 (JP) ..... 2019-011620

(51) **LOC (13) Cl.** ..... **14-02**

(52) **U.S. Cl.**

USPC ..... **D14/374**; D14/126

(58) **Field of Classification Search**

USPC ..... D14/307, 314, 334–337, 339–340, 371,  
D14/373, 374–382, 432, 448, 450,  
(Continued)

(56) **References Cited**

**U.S. PATENT DOCUMENTS**

D530,327 S \* 10/2006 Chen ..... D14/375

D545,279 S \* 6/2007 Bloem ..... D14/126

(Continued)

**OTHER PUBLICATIONS**

Lin Hui, CN Design No. 303676783, published at Orbit, publication date Oct. 12, 2015. Site visited Dec. 1, 2021. Available from the internet. (Year: 2015).\*

(Continued)

*Primary Examiner* — Kathleen L Jones

*Assistant Examiner* — Cole Sanders Holman

**DESCRIPTION**

FIG. 1 is a front elevational view of a first embodiment of a display panel showing our new design, with a middle portion between two dot-dash broken lines omitted; FIG. 2 is a rear elevational view, with a middle portion between two dot-dash broken lines omitted thereof; FIG. 3 is a left-side elevational view thereof; FIG. 4 is a right-side elevational view thereof; FIG. 5 is a top plan view, with a middle portion between two dot-dash broken lines omitted thereof; FIG. 6 is a bottom plan view, with a middle portion between two dot-dash broken lines omitted thereof; FIG. 7 is an enlarged view of portion 7-7 in FIG. 1; FIG. 8 is an enlarged view of portion 8-8 in FIG. 1; FIG. 9 is an enlarged view of portion 9-9 in FIG. 1; FIG. 10 is an enlarged view of portion 10-10 in FIG. 1; FIG. 11 is a front, left-side and bottom perspective view thereof; FIG. 12 is an enlarged view of portion 12-12 in FIG. 11 thereof; FIG. 13 is an enlarged view of portion 13-13 in FIG. 11 thereof; FIG. 14 is a front elevational view of a second embodiment of a display panel showing our new design, with a middle portion between two dot-dash broken lines omitted; FIG. 15 is a rear elevational view, with a middle portion between two dot-dash broken lines omitted thereof; FIG. 16 is a left-side elevational view thereof; FIG. 17 is a right-side elevational view thereof; FIG. 18 is top plan view, with a middle portion between two dot-dash broken lines omitted thereof; FIG. 19 is bottom plan view, with a middle portion between two dot-dash broken lines omitted thereof; FIG. 20 is an enlarged view of portion 20-20 in FIG. 14 thereof;

(Continued)

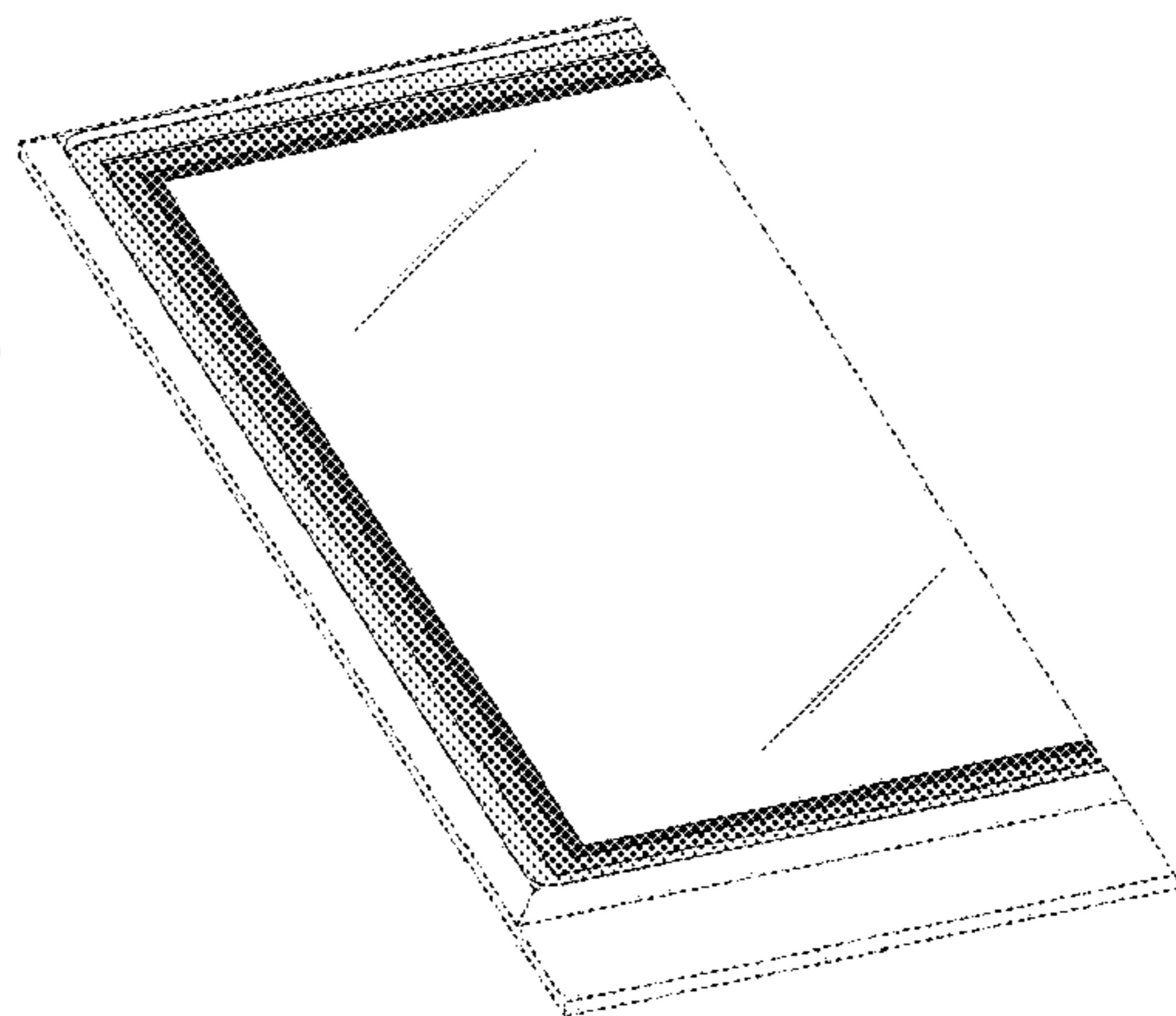
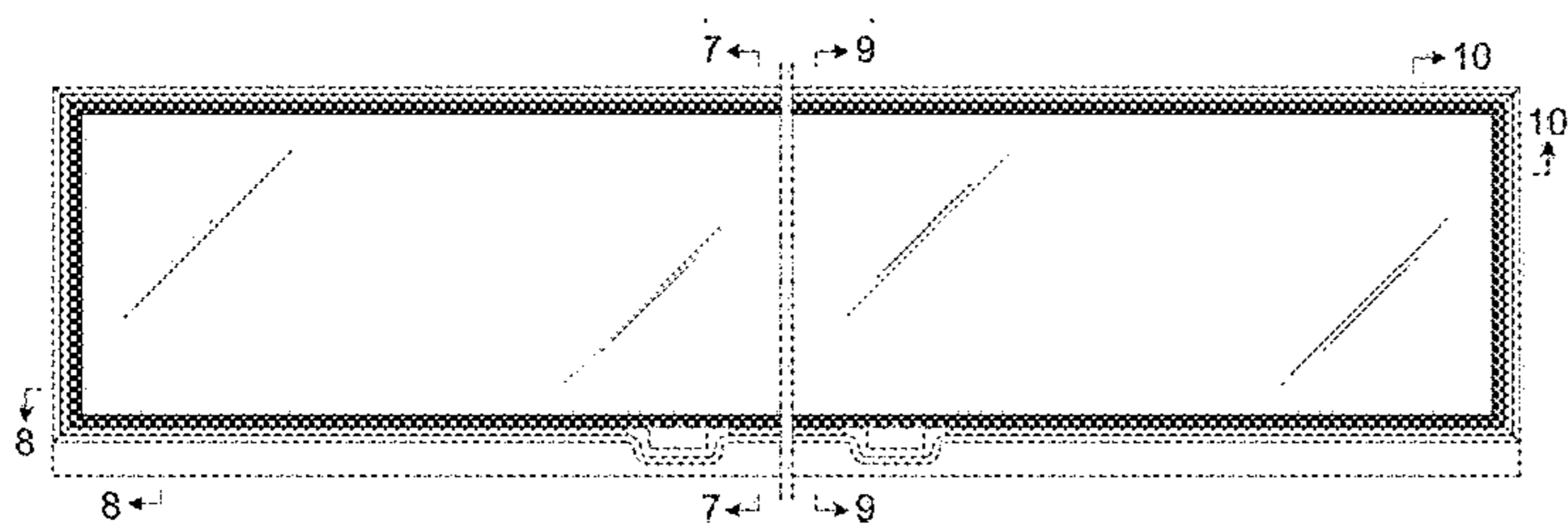


FIG. 21 is an enlarged view of portion 21-21 in FIG. 14 thereof;  
 FIG. 22 is an enlarged view of portion 22-22 in FIG. 14 thereof;  
 FIG. 23 is an enlarged view of portion 23-23 in FIG. 14 thereof;  
 FIG. 24 is a front, left-side and bottom perspective view thereof;  
 FIG. 25 is an enlarged view of portion 25-25 in FIG. 24; and,  
 FIG. 26 is an enlarged view of portion 26-26 in FIG. 24.  
 The evenly spaced dashed lines depict portions of the display panel and form no part of the claimed design. The dot-dash broken lines in FIG. 1, FIG. 7, FIG. 9, FIG. 11, FIG. 13, FIG. 14, FIG. 20, FIG. 22, FIG. 24 and FIG. 26 define the boundary of the claimed design and form no part of the claimed design. The two dot-dash broken lines in FIG. 1, FIG. 2, FIG. 5, FIG. 6, FIG. 11, FIG. 14, FIG. 15, FIG. 18, FIG. 19 and FIG. 24 show a symbolic break in the length of the display panel. The two dot-dash broken lines, as well as any portion of the article between the two dot-dash broken lines, form no part of the claimed design. Areas of the display panel that appear in different shades of gray show a contrast in appearance. The oblique shade lines in FIG. 1, FIG. 7, FIG. 8, FIG. 9, FIG. 10, FIG. 11, FIG. 12, FIG. 13, FIG. 14, FIG. 20, FIG. 21, FIG. 22, FIG. 23, FIG. 24, FIG. 25 and FIG. 26 show translucency. The three dot-dash broken lines in FIGS. 7, 8, 9, 10, 12, 13, 20, 21, 22, 23, 25 and 26 indicate the outer limits of the enlarged views and form no part of the claimed design.

**1 Claim, 14 Drawing Sheets**

(58) **Field of Classification Search**  
 USPC ..... D14/125-127, 132-133, 217, 305, 389,  
 D14/424; D6/300, 301, 308  
 CPC .... G06F 1/1601; G06F 1/1637; G06F 1/1643;  
 G06F 2203/04102; H05K 2201/09154;  
 H05K 2201/10128; H05K 2201/10136;  
 H04N 5/64  
 See application file for complete search history.

(56)

**References Cited**

U.S. PATENT DOCUMENTS

D561,619	S	*	2/2008	Miyawaki	.....	D10/65
D604,515	S	*	11/2009	Tang	.....	D6/308
D613,510	S	*	4/2010	Tzeng	.....	D6/308
D687,388	S	*	8/2013	Baumgartner	.....	D13/162
D702,658	S	*	4/2014	Kim	.....	D14/126
D834,429	S	*	11/2018	Jiang	.....	D10/3
D834,573	S	*	11/2018	Pell	.....	D14/336
D862,909	S	*	10/2019	Zhou	.....	D6/308
D875,095	S	*	2/2020	Gan	.....	D14/374
D882,966	S	*	5/2020	Jiang	.....	D6/308
D891,124	S	*	7/2020	Zhou	.....	D6/310
D893,201	S	*	8/2020	Jiang	.....	D6/308
D898,022	S	*	10/2020	Hornung	.....	D14/336
D901,192	S	*	11/2020	Wang	.....	D6/308
D902,926	S	*	11/2020	Andersson	.....	D14/371
D916,697	S	*	4/2021	Hornung	.....	D14/341
D916,954	S	*	4/2021	De Beule	.....	D18/4.4
D927,439	S	*	8/2021	McConnell	.....	D14/126
D929,988	S	*	9/2021	Carlson	.....	D14/336

OTHER PUBLICATIONS

Both Hong Yan, CN Design No. 304711080, published at Orbit, publication date Aug. 3, 2017. Site visited Dec. 1, 2021. Available from the internet. (Year: 2017).\*

7 inch full function digital photo frame. Unknown manufacturer (online) 17 pages. Date unknown. [Retrieved Nov. 30, 2021] <https://www.aliexpress.com/item/32857879714.html> (Year: 2021).\*

15.6 inch full HD digital photo frame. Unknown manufacturer (online) 9 pages. Date unknown. [Retrieved Nov. 30, 2021] [https://www.banggood.com/15\\_6-Inch-Full-HD-Digital-Photo-Frame-Picture-LED-Media-Movie-Album-Play-with-Remote-Control-p-1779267.html?utm\\_%E2%80%A6](https://www.banggood.com/15_6-Inch-Full-HD-Digital-Photo-Frame-Picture-LED-Media-Movie-Album-Play-with-Remote-Control-p-1779267.html?utm_%E2%80%A6) (Year: 2021).\*

LED mirror full length. Neutype Mirror, (online) 8 pages. Date unknown. [Retrieved Nov. 30, 2021] <https://www.walmart.com/ip/NeuType-65-x-22-LED-Mirror-Full-Length-Lights-Large-Rectangle-Bathroom-Touch-Button-Plug-Dimmable-Lighting-Stepless-Dimming-Burst-proof-Glass/609419992> (Year: 2021).\*

Wacom digitizer. Wacom. (online) 5 pages. Date unknown. [Retrieved Nov. 30, 2021] <https://www.merlin.dk/Tegneplade-Digitizer/Wacom-digitizer/2565563> (Year: 2021).\*

\* cited by examiner

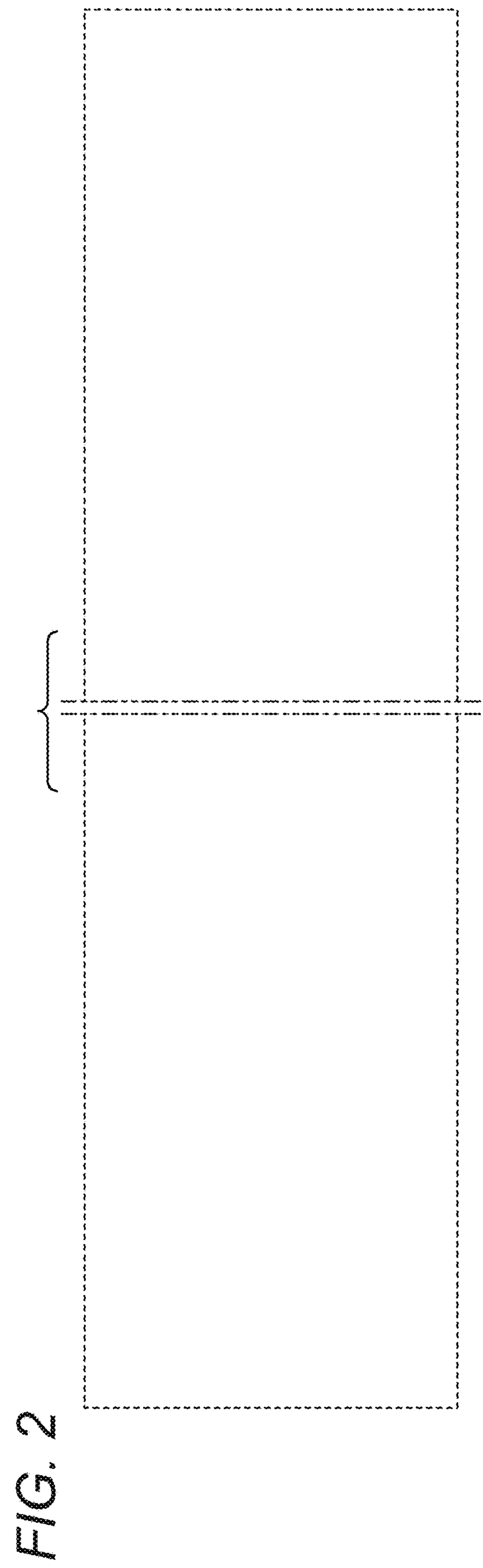
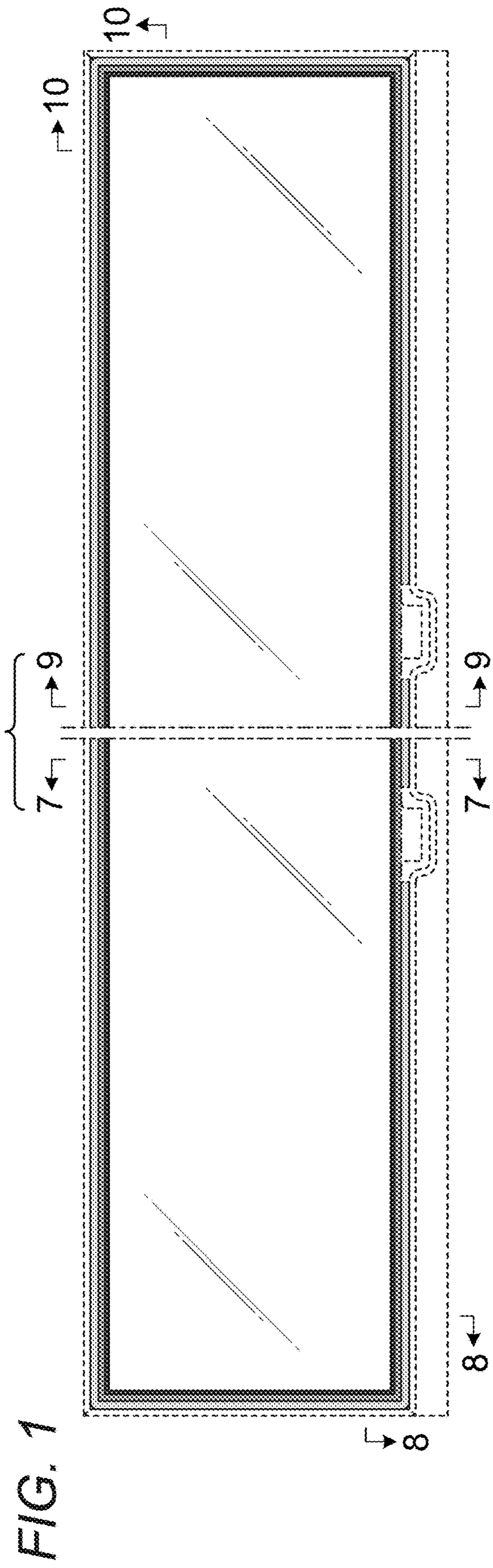


FIG. 3

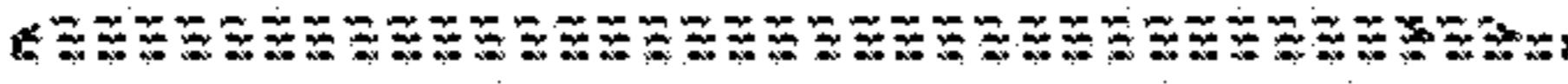


FIG. 4

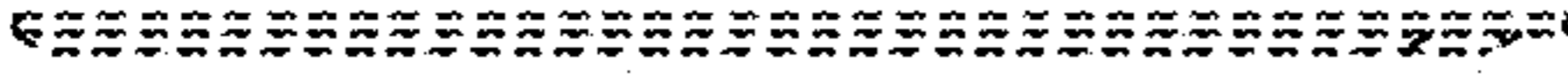


FIG. 5

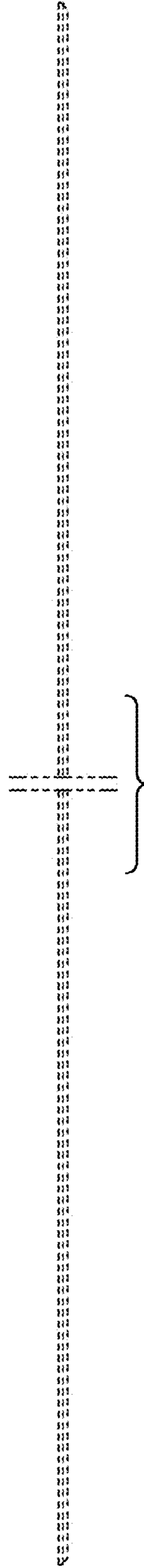


FIG. 6

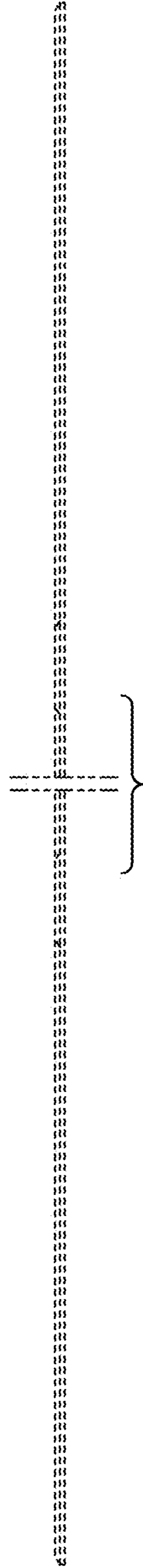


FIG. 7

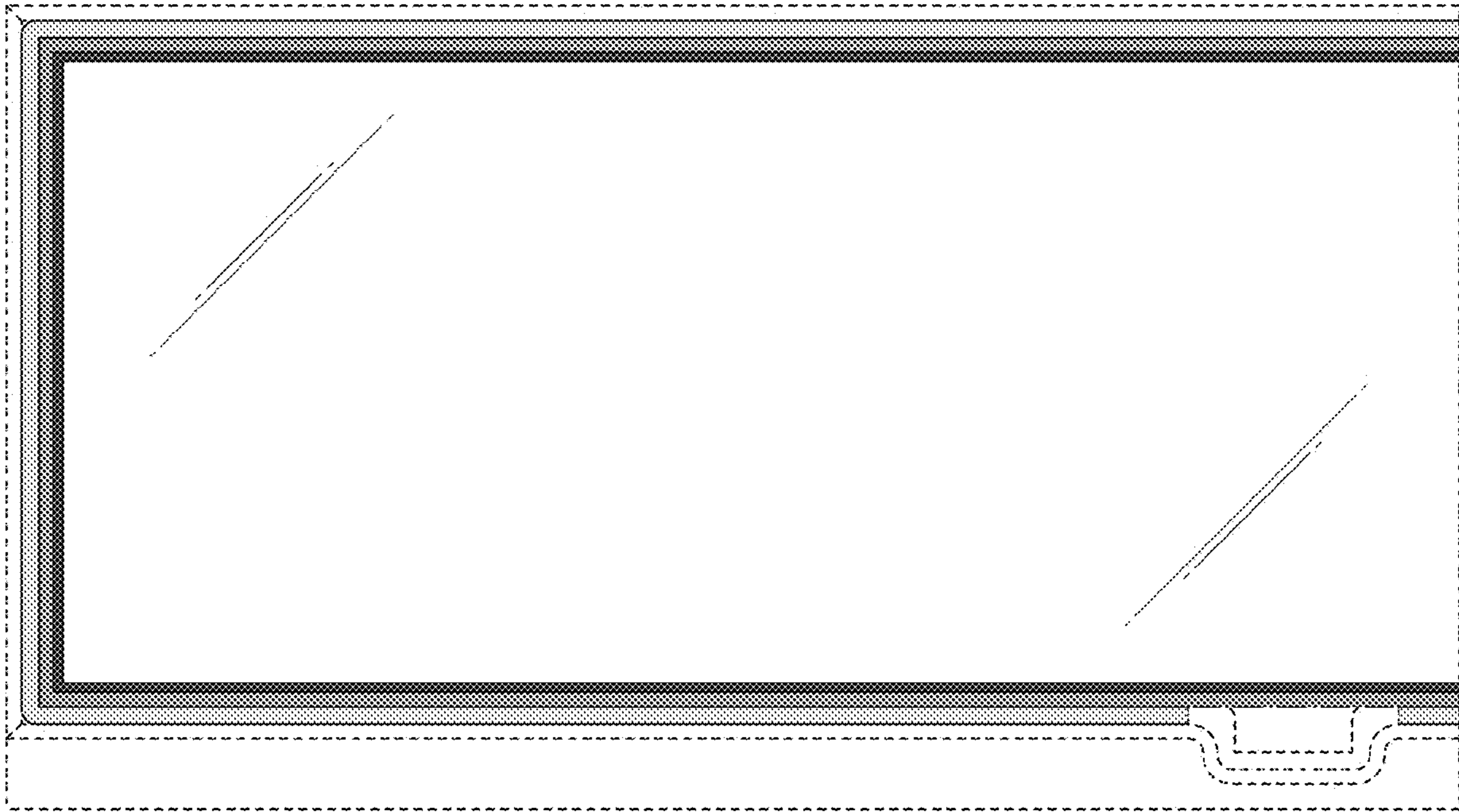


FIG. 8

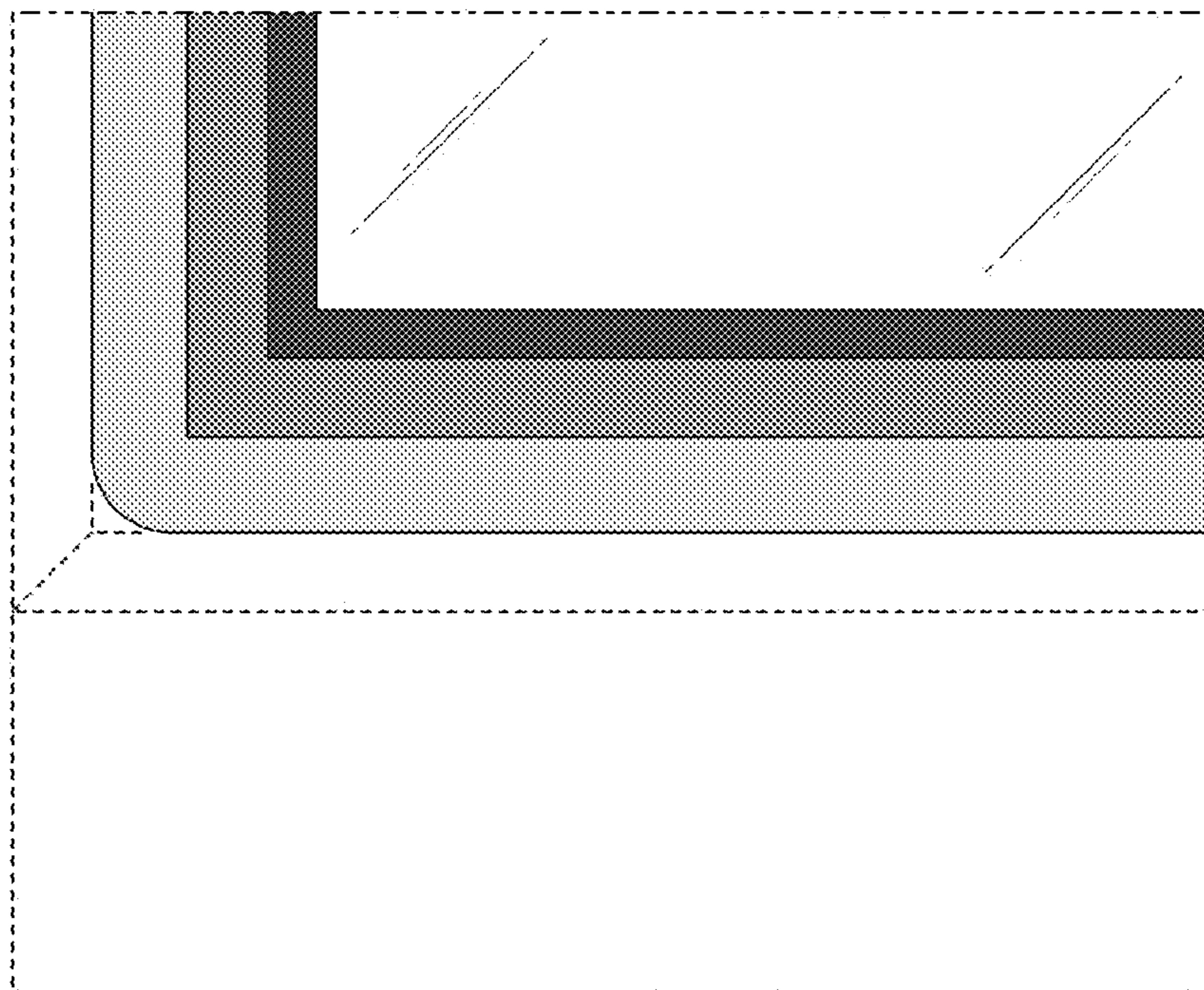


FIG. 9

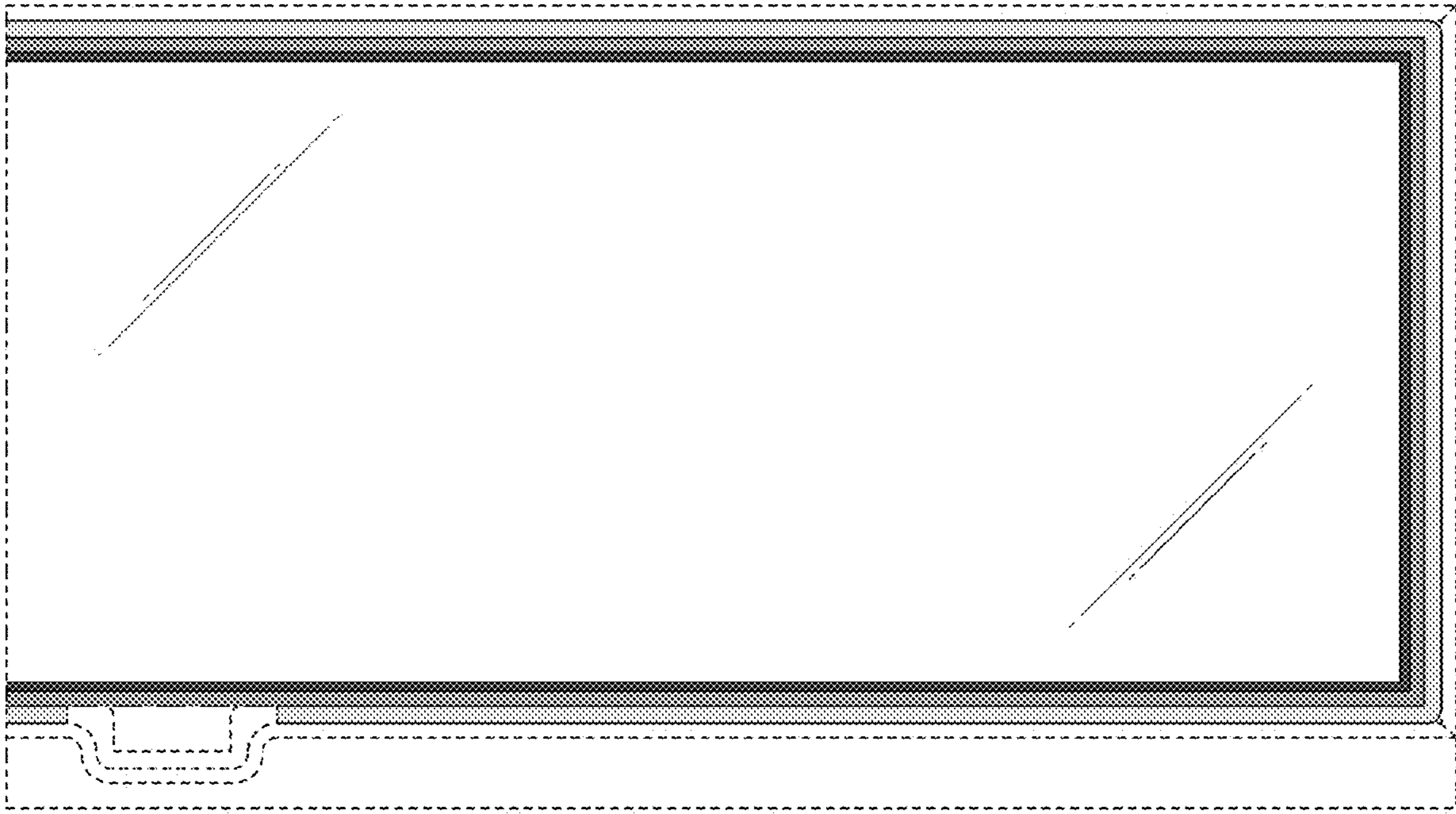


FIG. 10

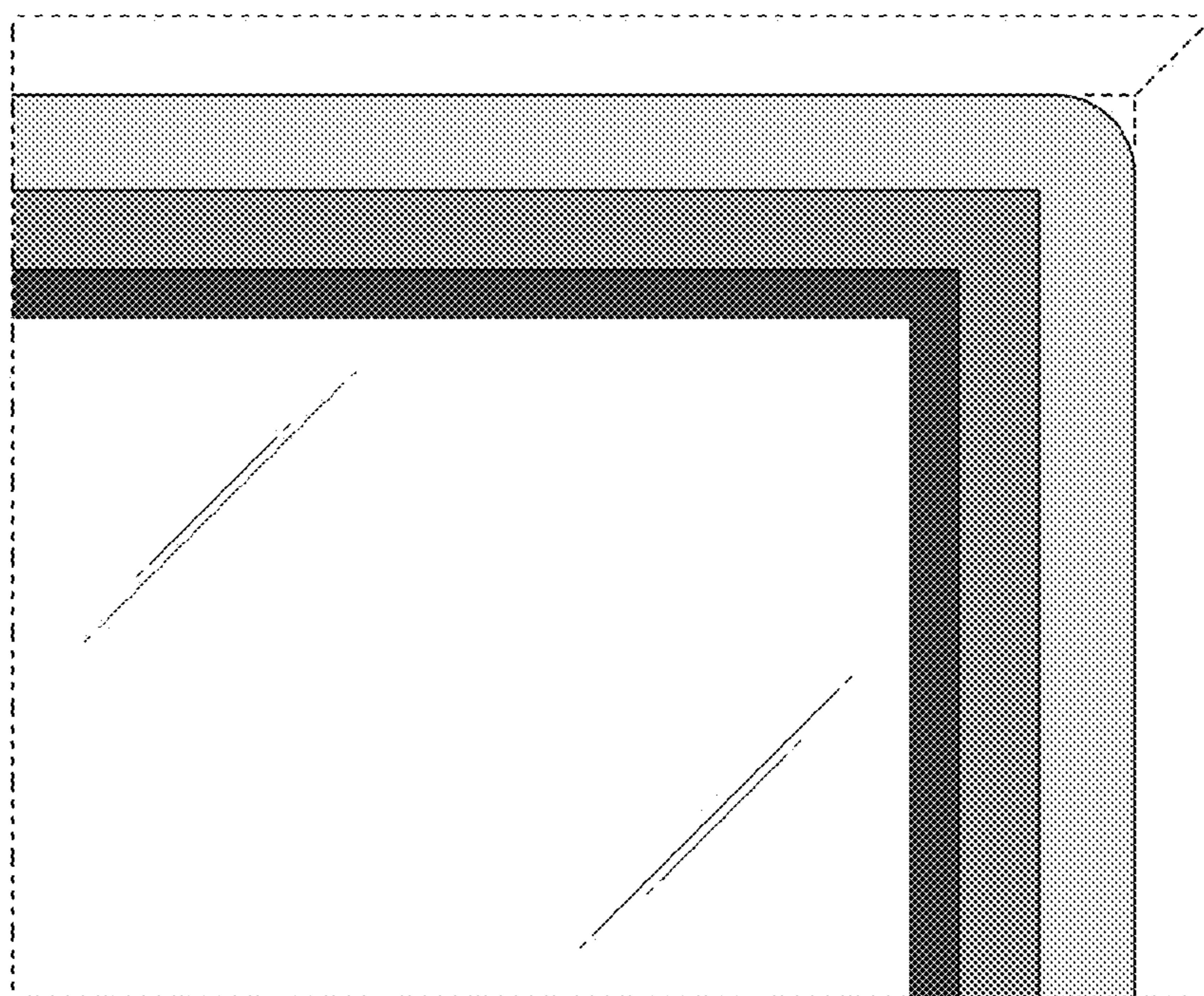


FIG. 11

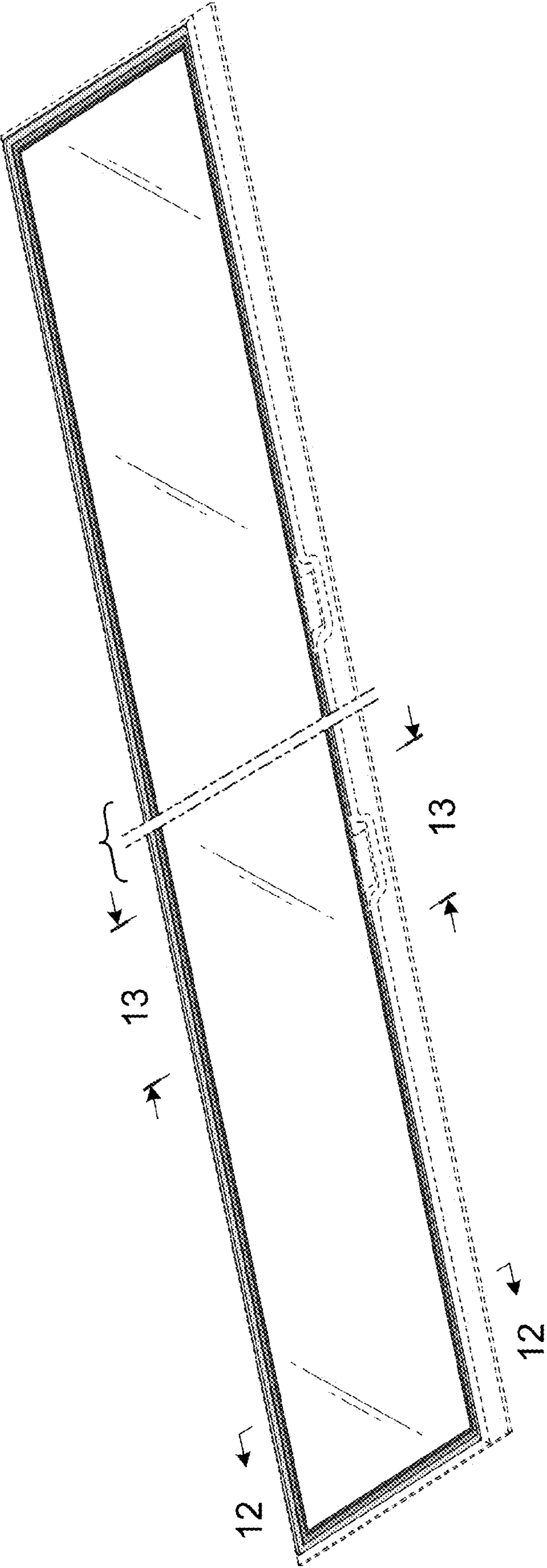


FIG. 12

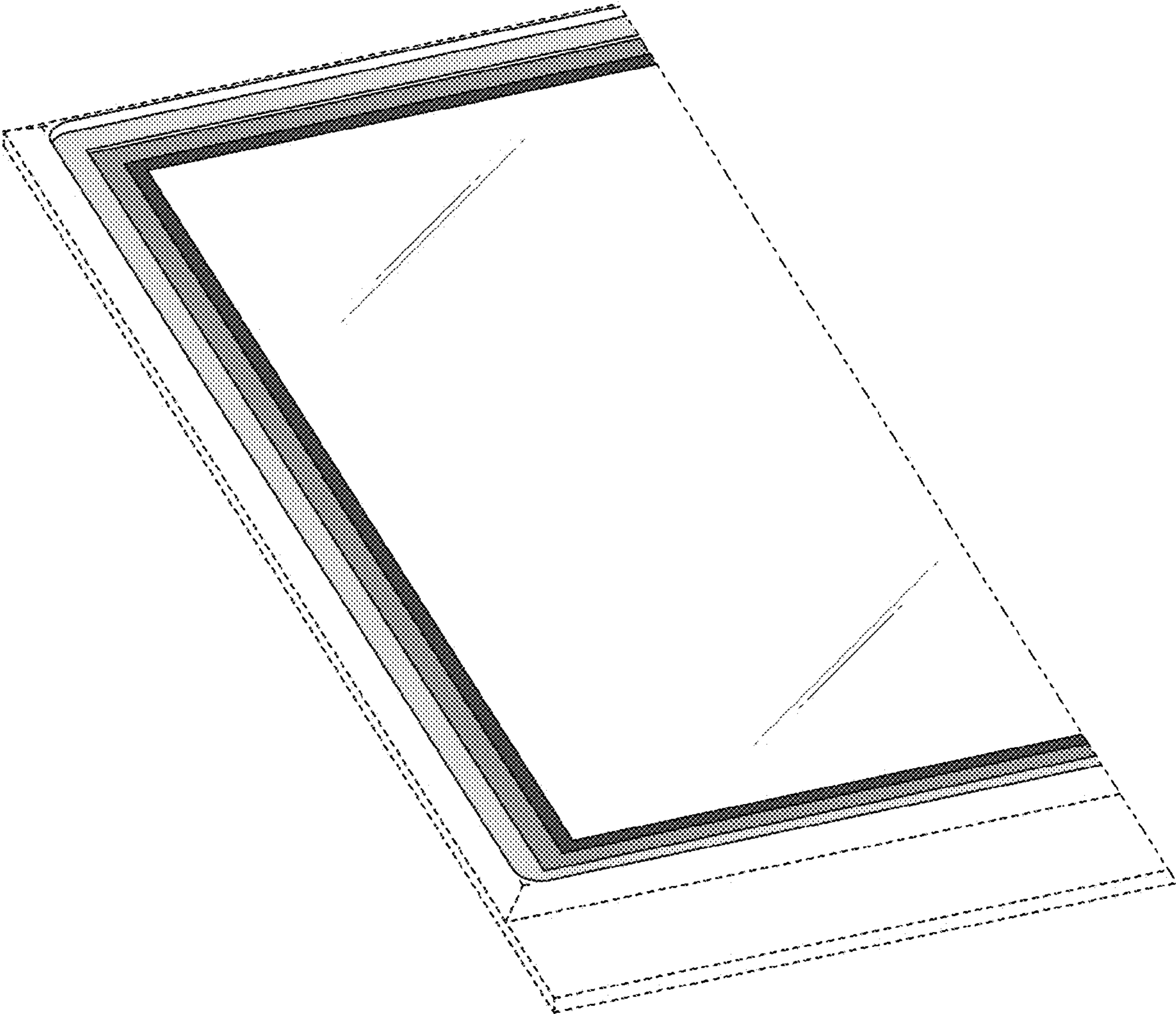
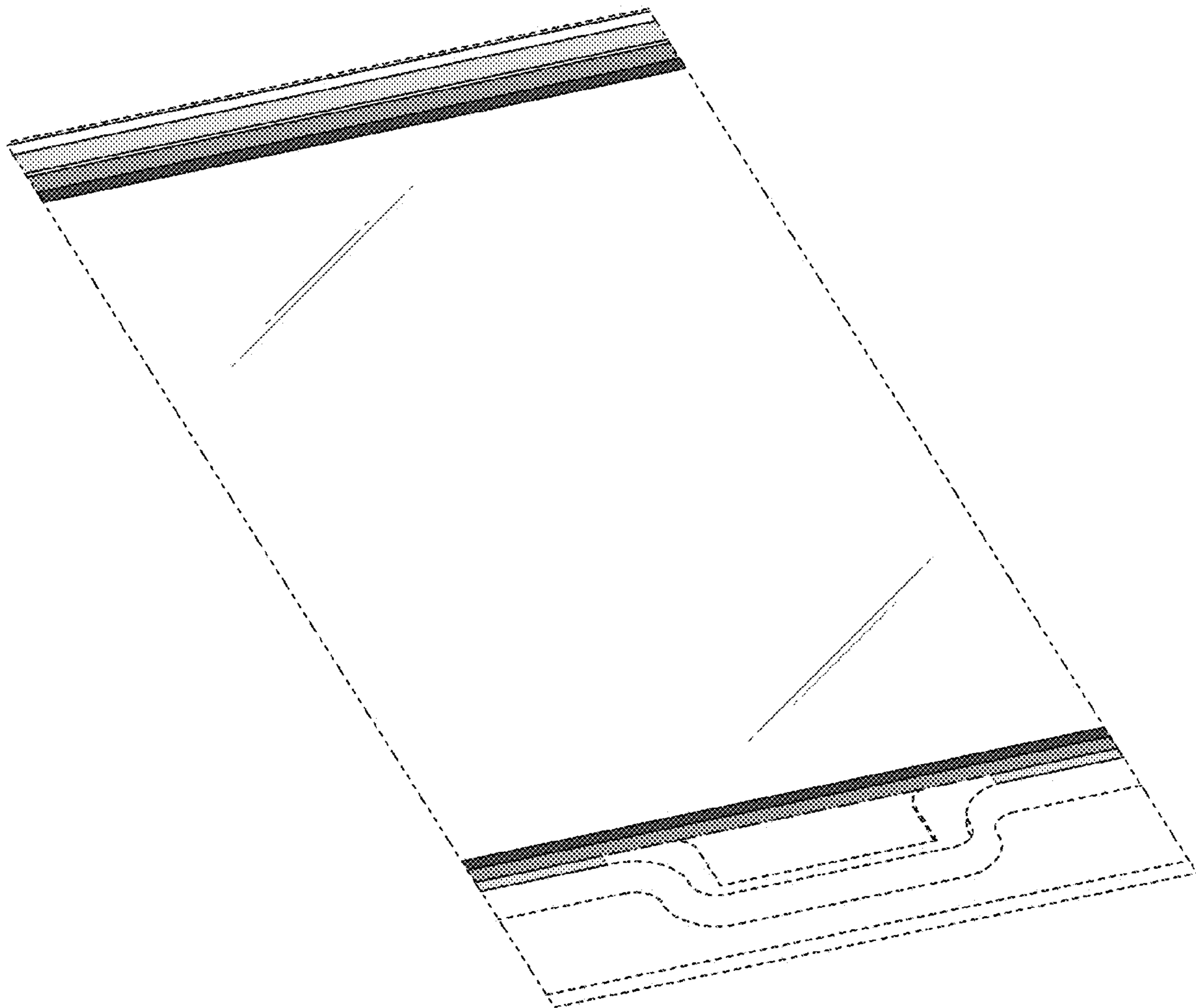




FIG. 13



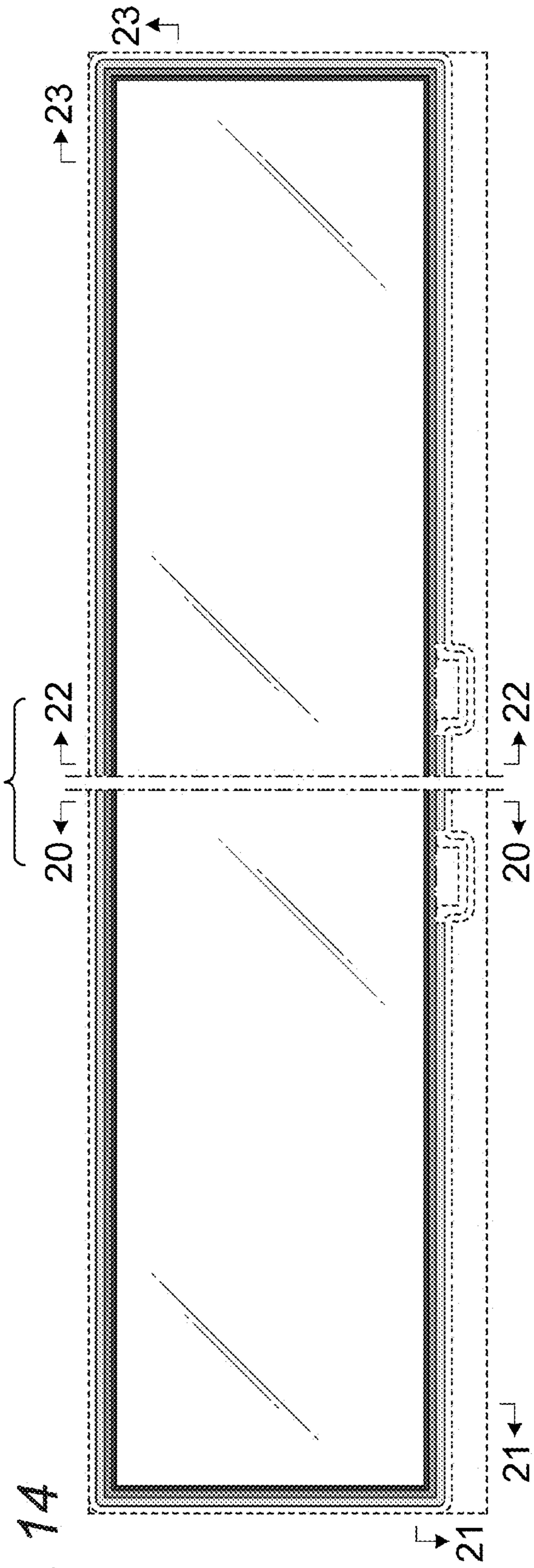


FIG. 14

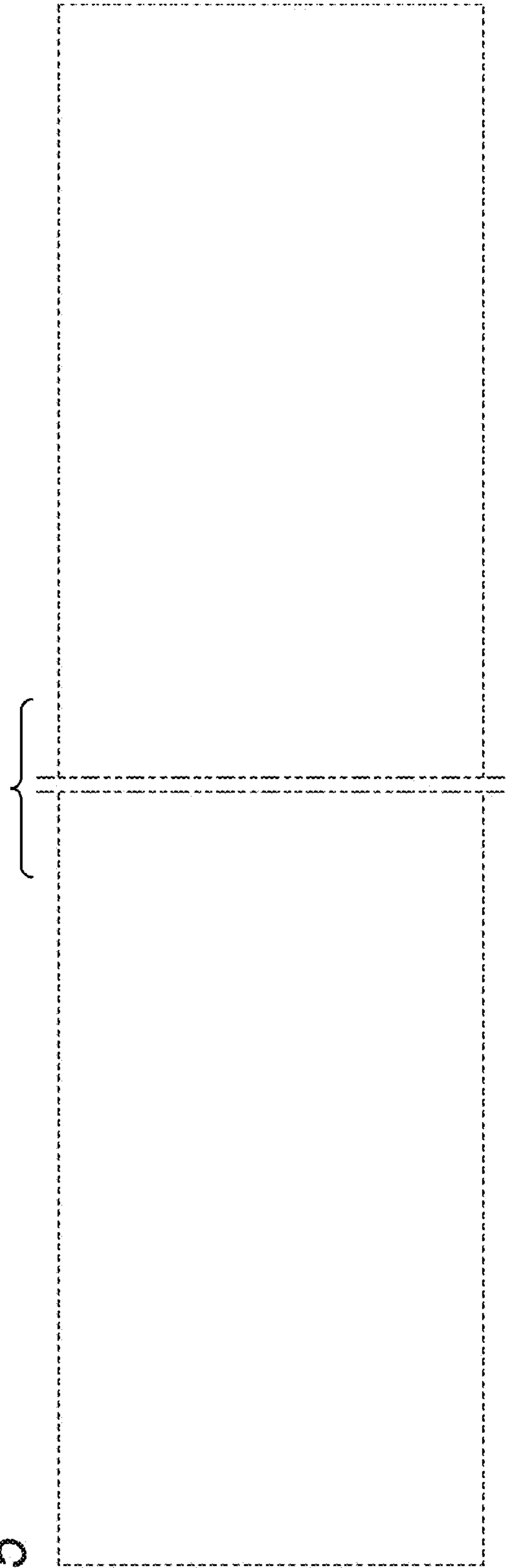


FIG. 15

FIG. 16

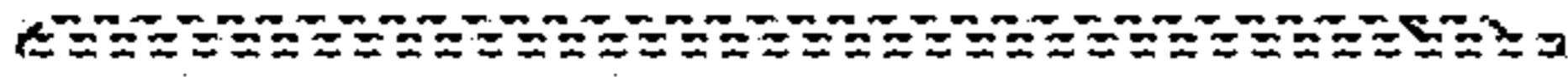


FIG. 17

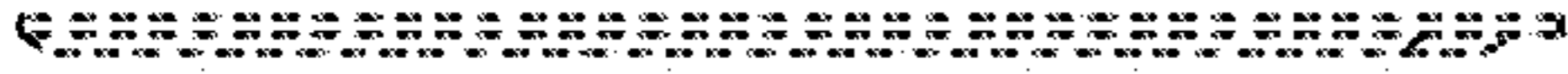


FIG. 18

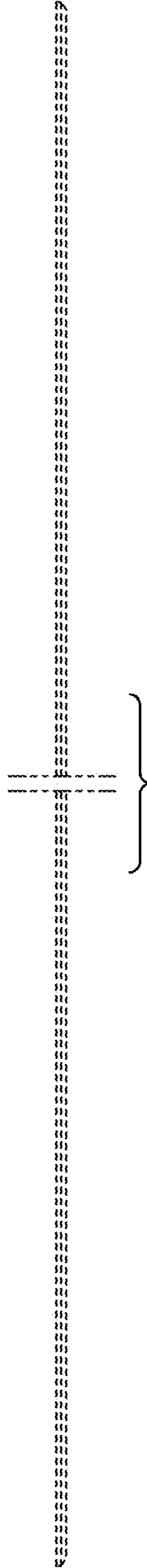


FIG. 19

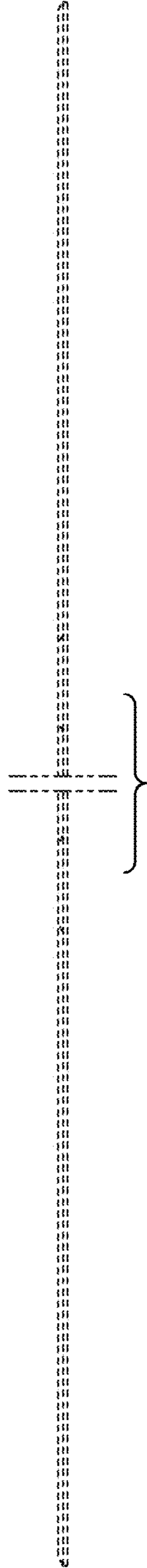


FIG. 20

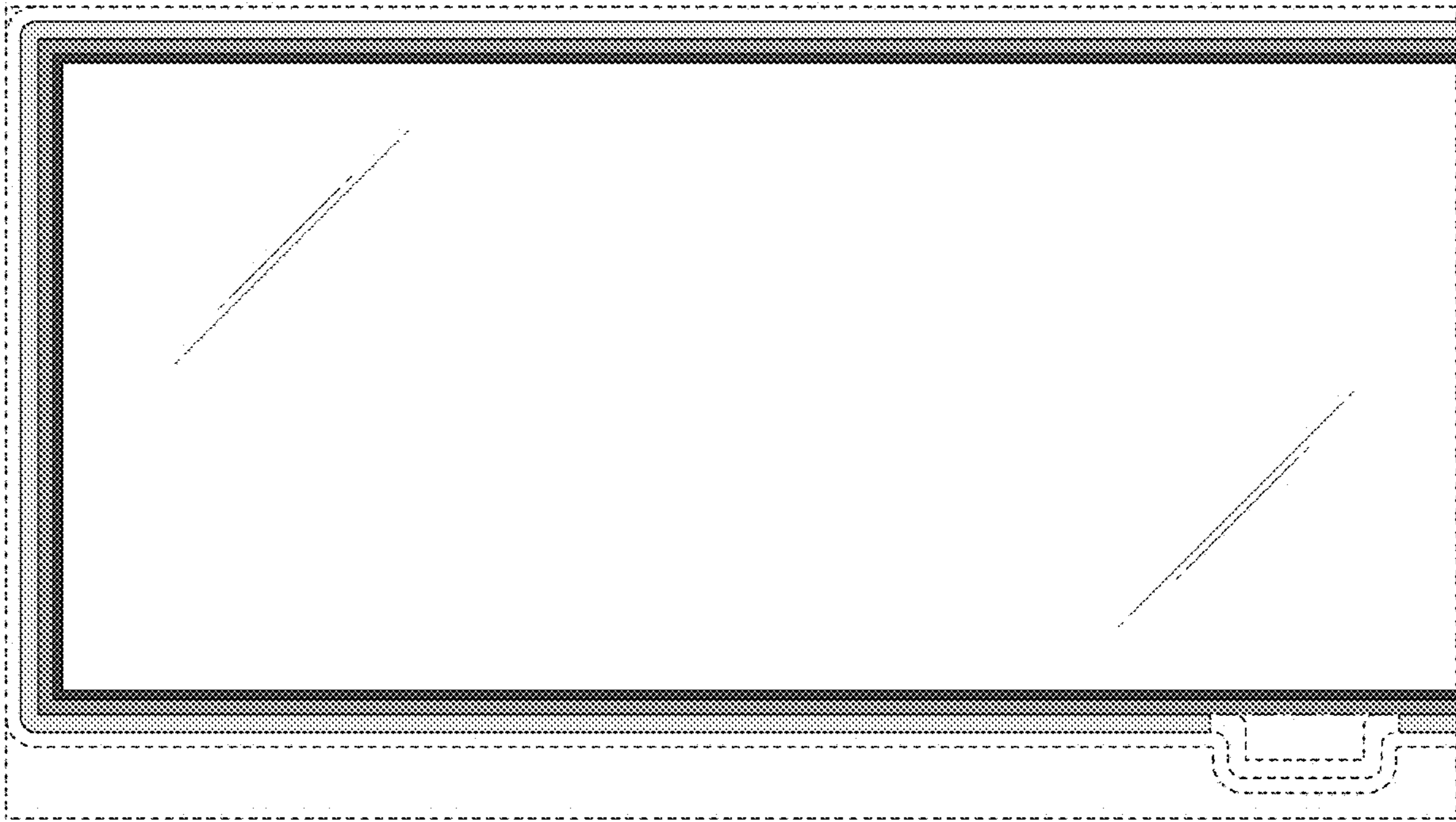


FIG. 21

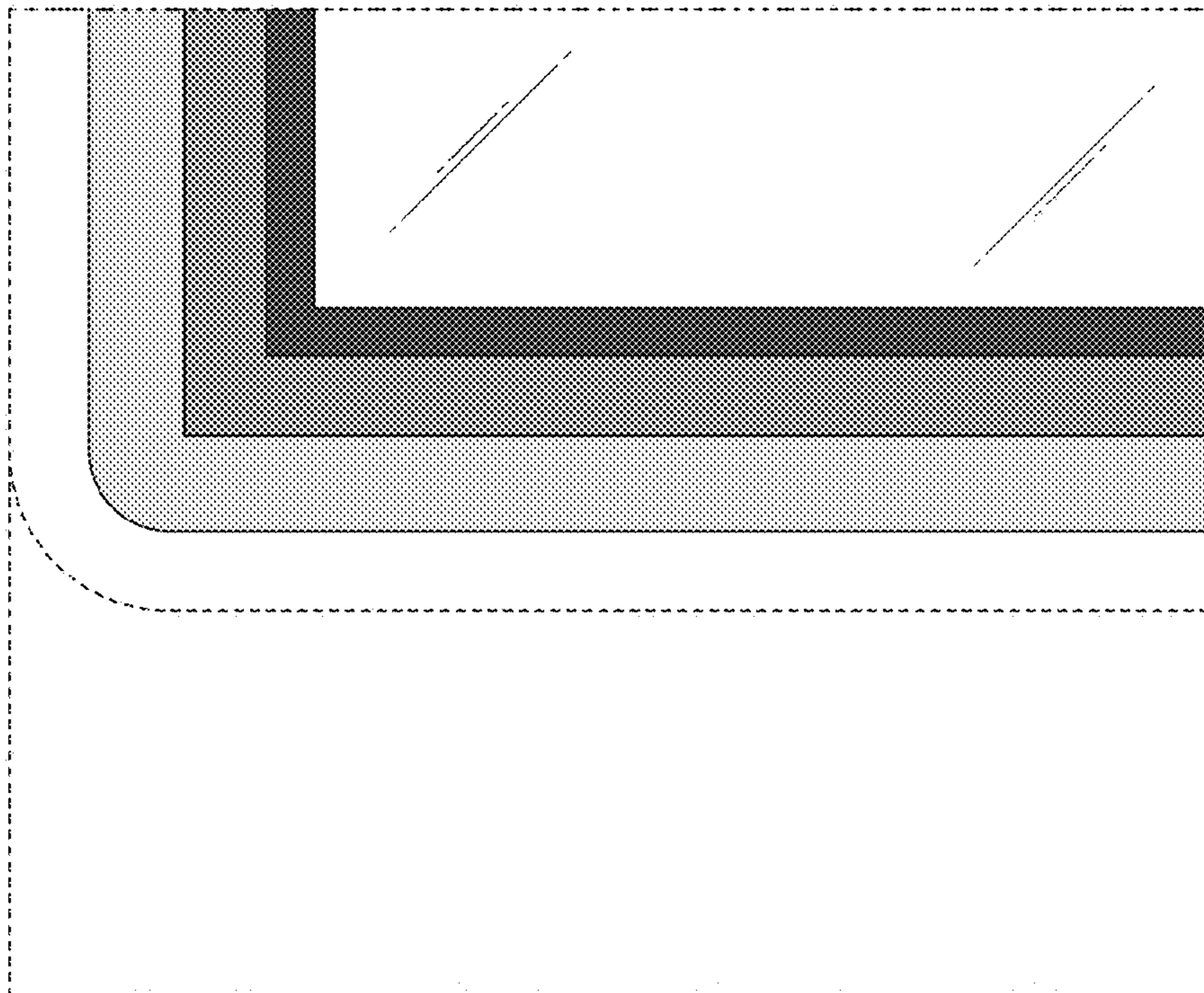


FIG. 22

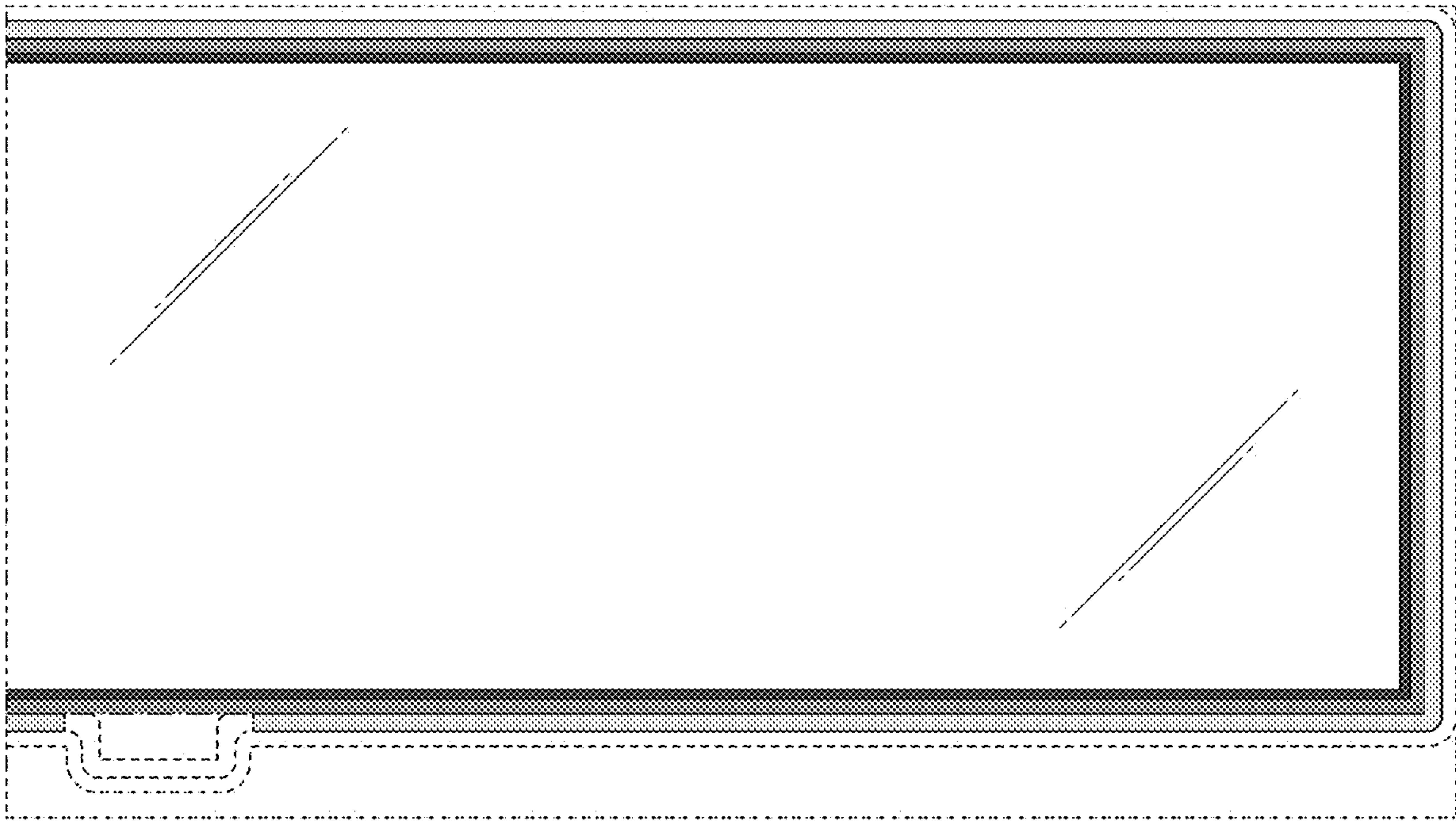
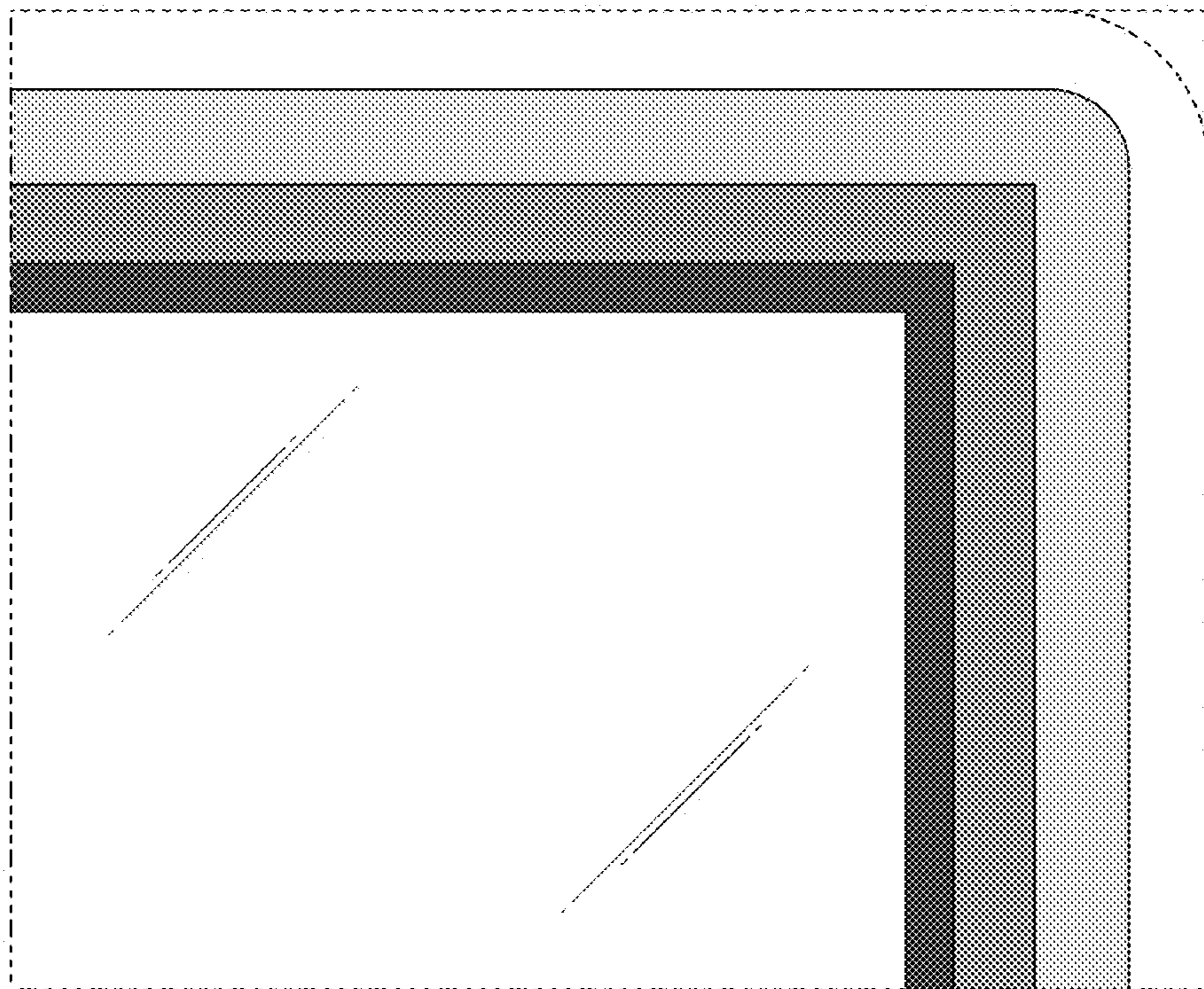


FIG. 23



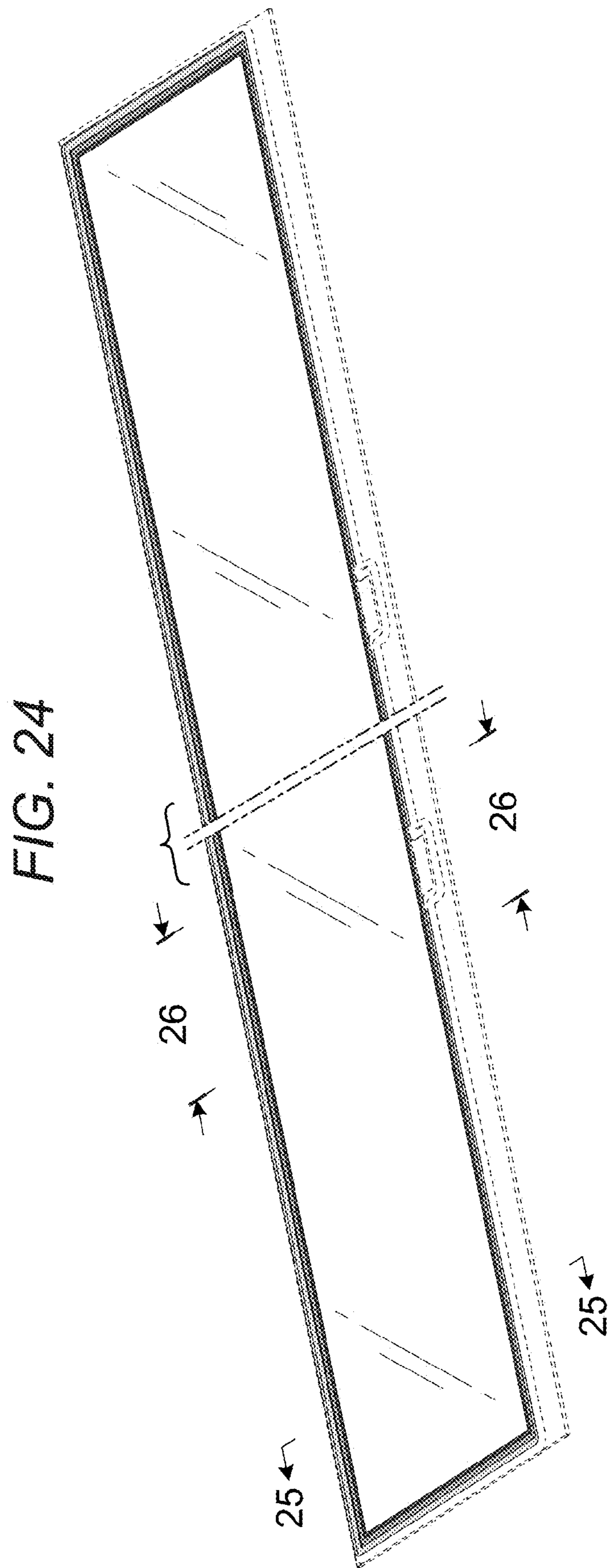


FIG. 25

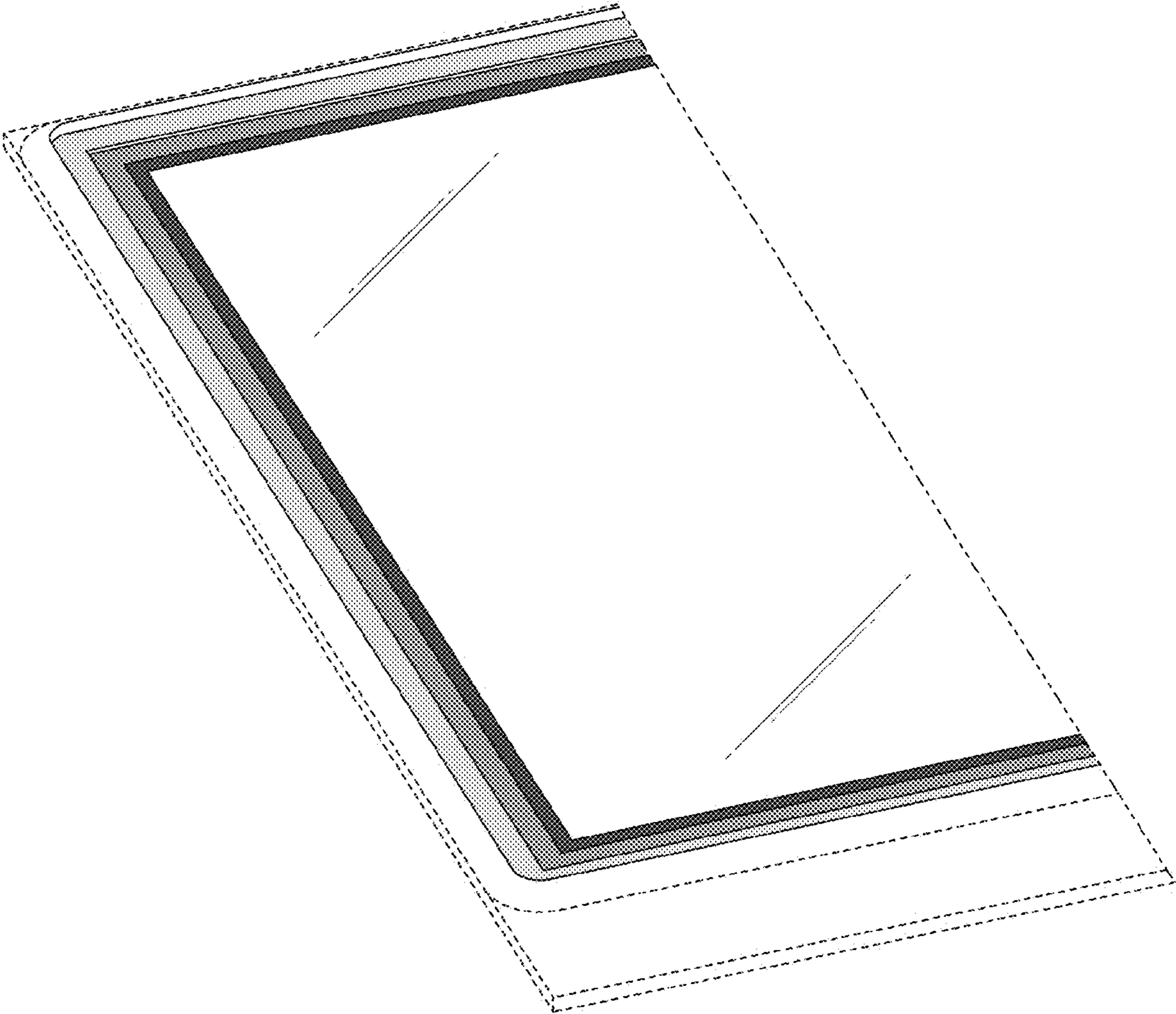


FIG. 26

