



US00D951251S

(12) **United States Design Patent**  
**Chen et al.**

(10) **Patent No.:** **US D951,251 S**  
(45) **Date of Patent:** **\*\* May 10, 2022**

(54) **AUGMENTED REALITY DEVICE**  
(71) Applicant: **Quanta Computer Inc.**, Taoyuan (TW)  
(72) Inventors: **Jyun-Jie Chen**, Taoyuan (TW);  
**Shih-Yun Lee**, Taoyuan (TW);  
**Gwo-Chyuan Chen**, Taoyuan (TW)  
(73) Assignee: **QUANTA COMPUTER INC.**,  
Taoyuan (TW)

D858,522 S \* 9/2019 Chen ..... D14/372  
D865,763 S \* 11/2019 Lau ..... D14/372  
D877,148 S \* 3/2020 Wei ..... D14/372  
D880,476 S \* 4/2020 Chen ..... D14/372  
D883,979 S \* 5/2020 Chen ..... D14/372  
D890,171 S \* 7/2020 Wei ..... D14/372  
D898,738 S \* 10/2020 Denhez ..... D14/372  
D916,087 S \* 4/2021 Wei ..... D14/372  
D925,528 S \* 7/2021 Bristol ..... D14/372  
D929,402 S \* 8/2021 Jiang ..... D14/372  
D942,449 S \* 2/2022 Sanz ..... D14/372

(\*\*) Term: **15 Years**

\* cited by examiner

(21) Appl. No.: **29/766,880**

*Primary Examiner* — Austin Murphy

(22) Filed: **Jan. 19, 2021**

(74) *Attorney, Agent, or Firm* — McClure, Qualey &  
Rodack, LLP

(30) **Foreign Application Priority Data**

Dec. 4, 2020 (TW) ..... 109306827

(51) **LOC (13) Cl.** ..... **14-02**

(52) **U.S. Cl.**  
USPC ..... **D14/372**

(58) **Field of Classification Search**  
USPC ..... D14/372, 496, 432, 371, 125, 126, 129,  
D14/299; D16/300–342; 351/158, 153,  
351/144; 345/7–9, 905; 455/344;  
348/115, 53, 121, 739  
CPC ..... G02B 27/017; G02B 27/0158; G02B  
27/0161; G02B 27/0181; G02B 27/0185;  
G02B 27/0189

See application file for complete search history.

(56) **References Cited**

**U.S. PATENT DOCUMENTS**

D806,710 S \* 1/2018 Chen ..... D14/372  
D833,432 S \* 11/2018 Lin ..... D14/372

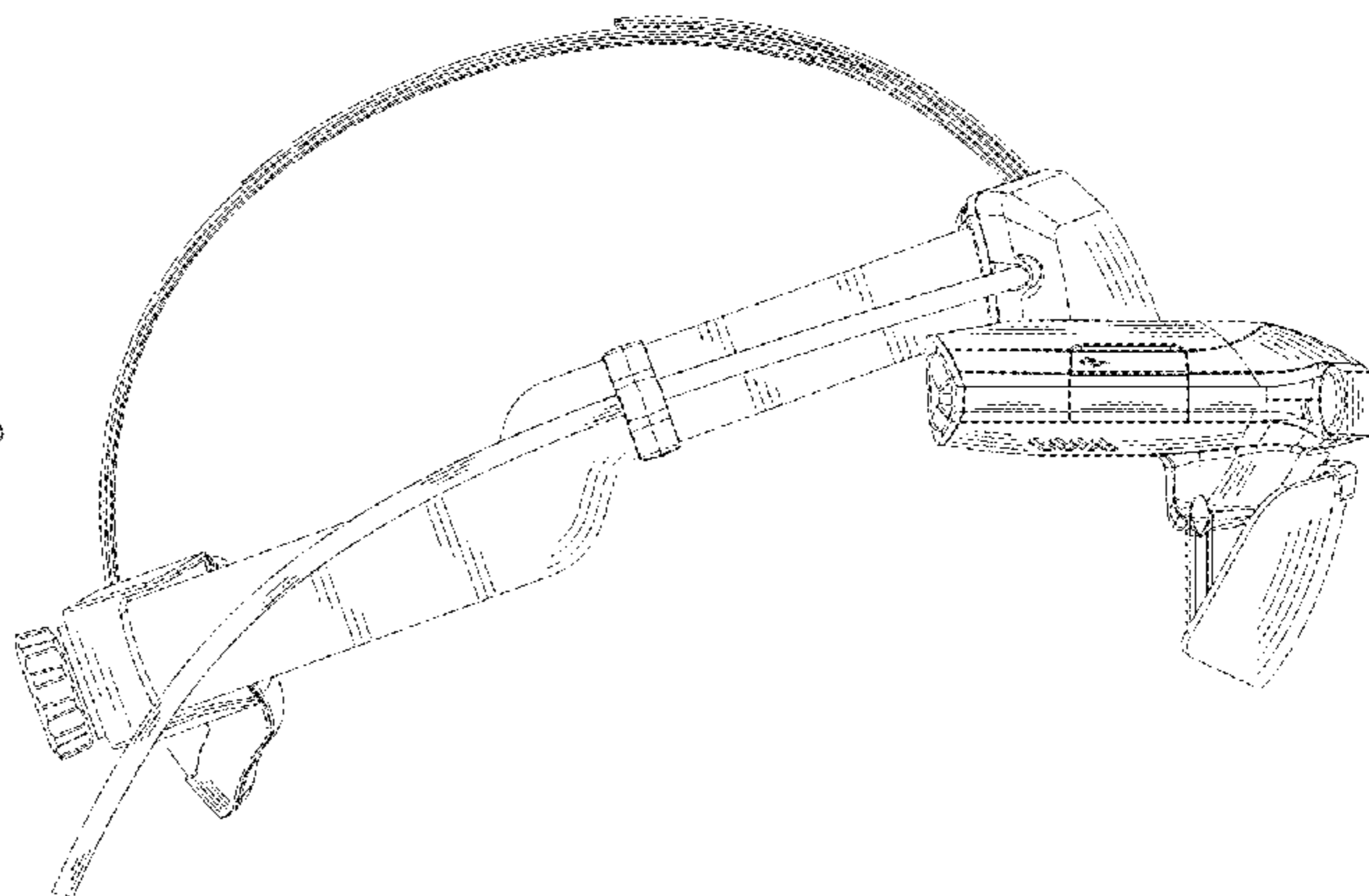
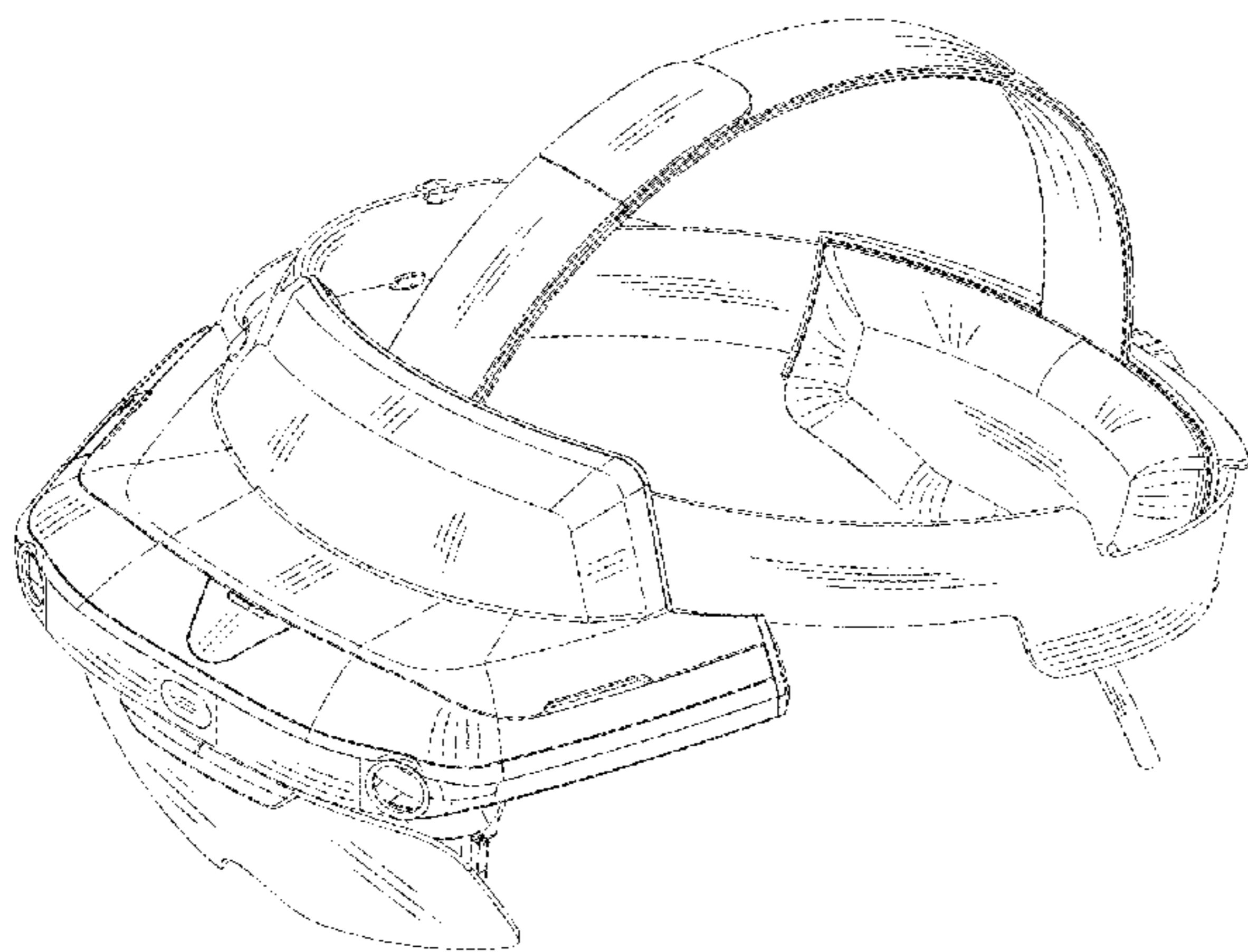
(57) **CLAIM**

The ornamental design for an augmented reality device, as shown and described.

**DESCRIPTION**

FIG. 1 is a front perspective view of an augmented reality device in accordance with our new and ornamental design; FIG. 2 is a front view thereof; FIG. 3 is a rear view thereof; FIG. 4 is a left side view thereof; FIG. 5 is a right side view thereof; FIG. 6 is a top plan view thereof; and, FIG. 7 is a bottom plan view thereof.

**1 Claim, 7 Drawing Sheets**



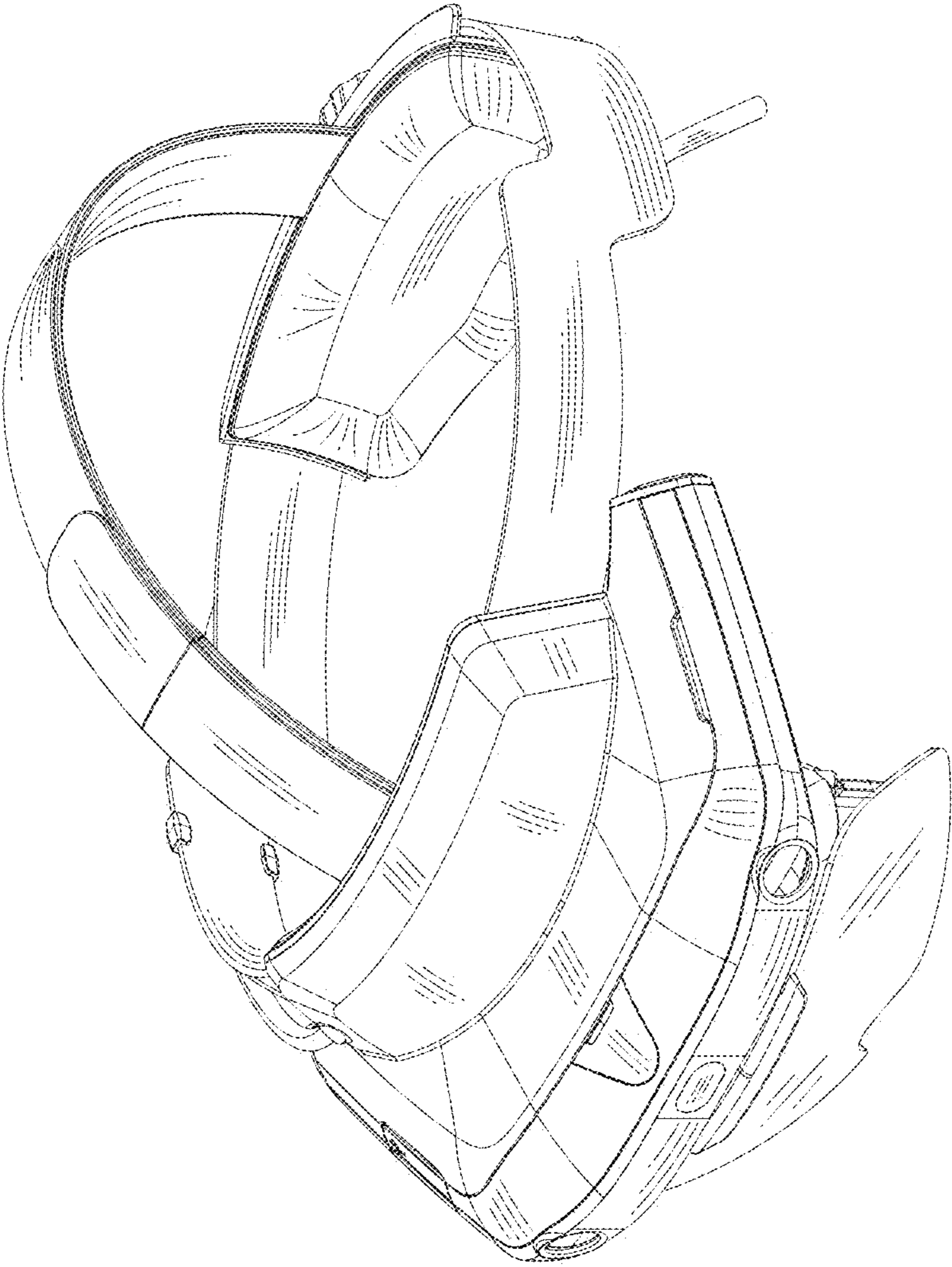


FIG. 1

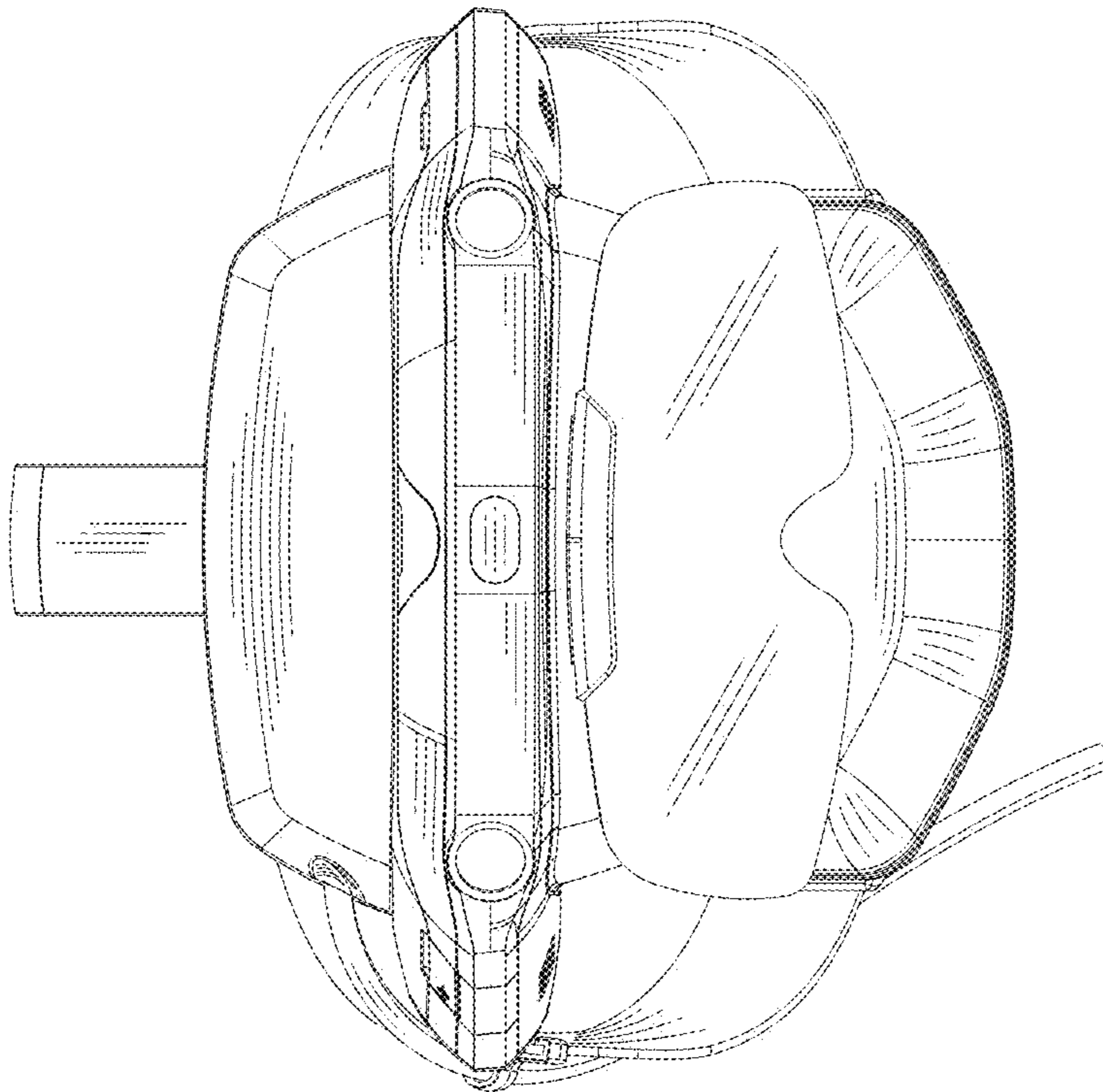


FIG. 2

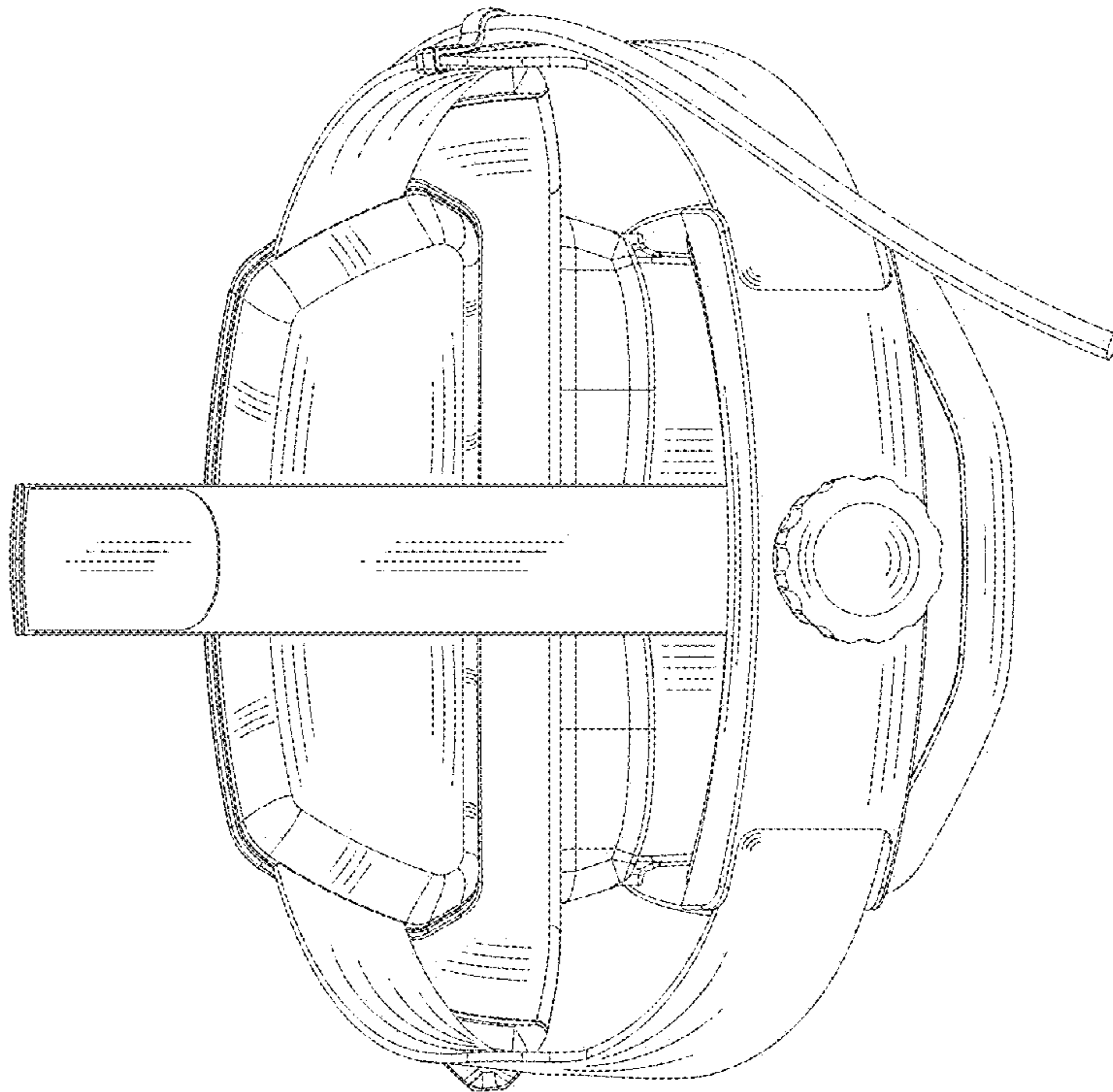


FIG. 3

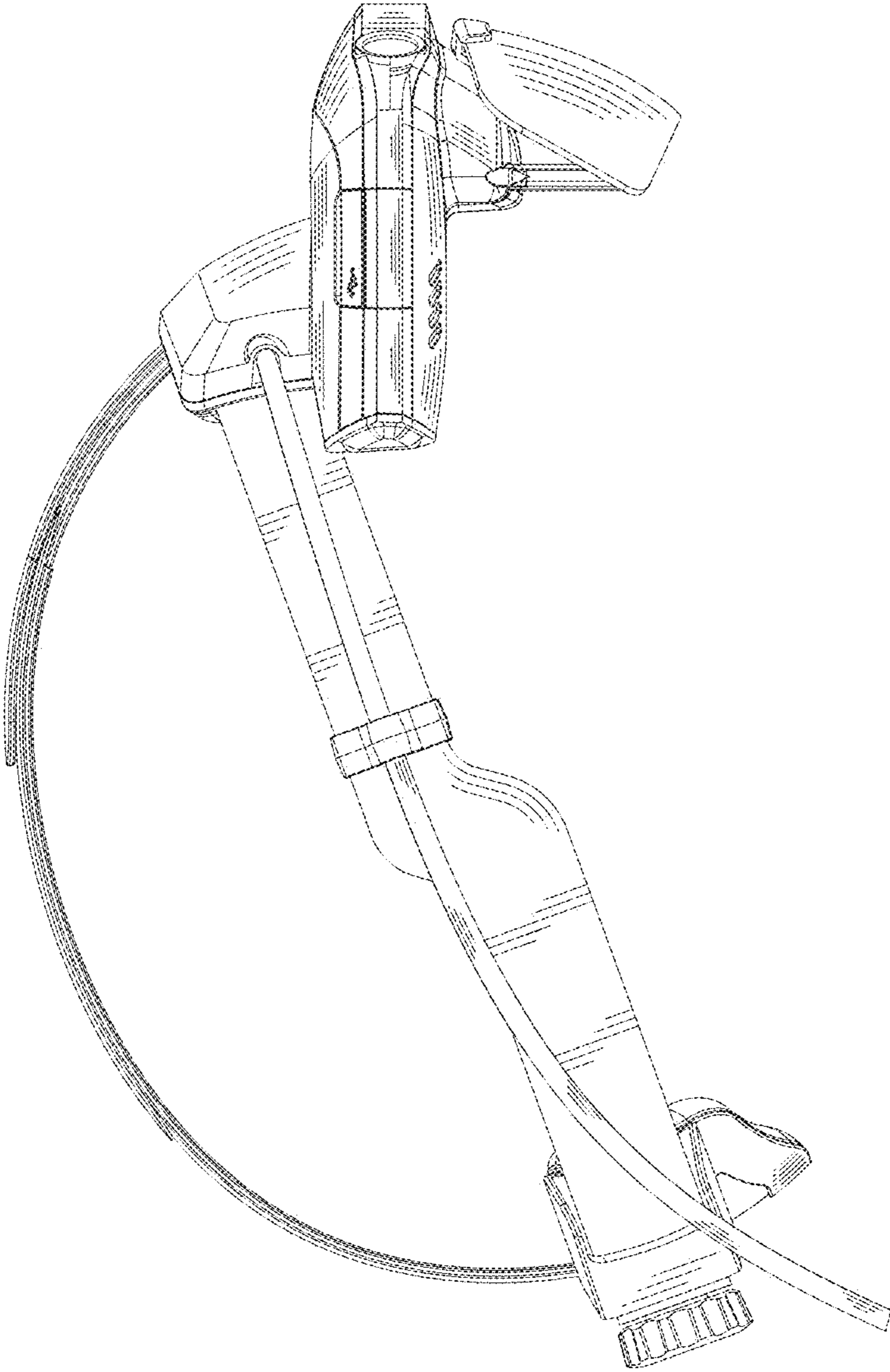


FIG. 4

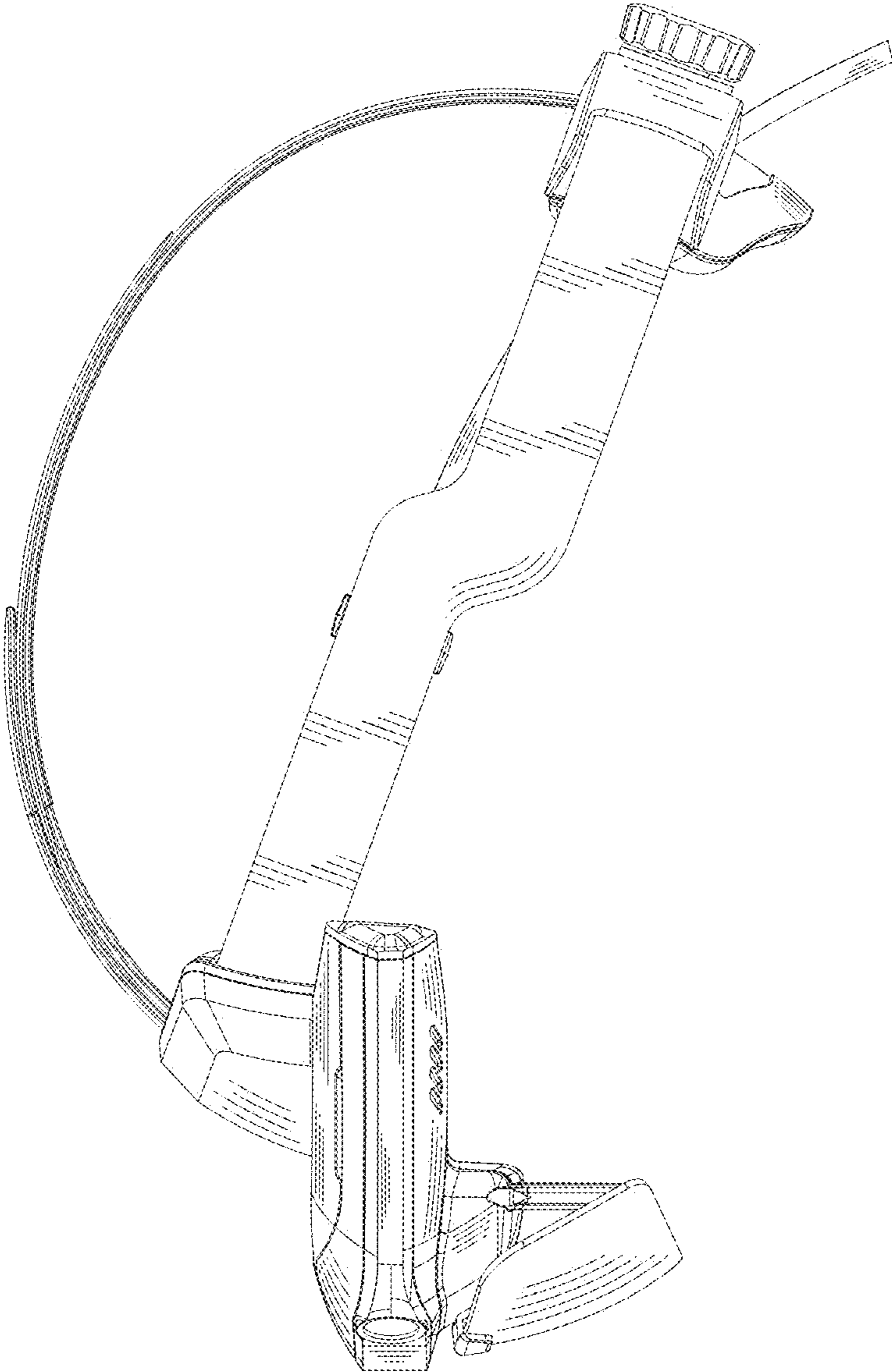


FIG. 5

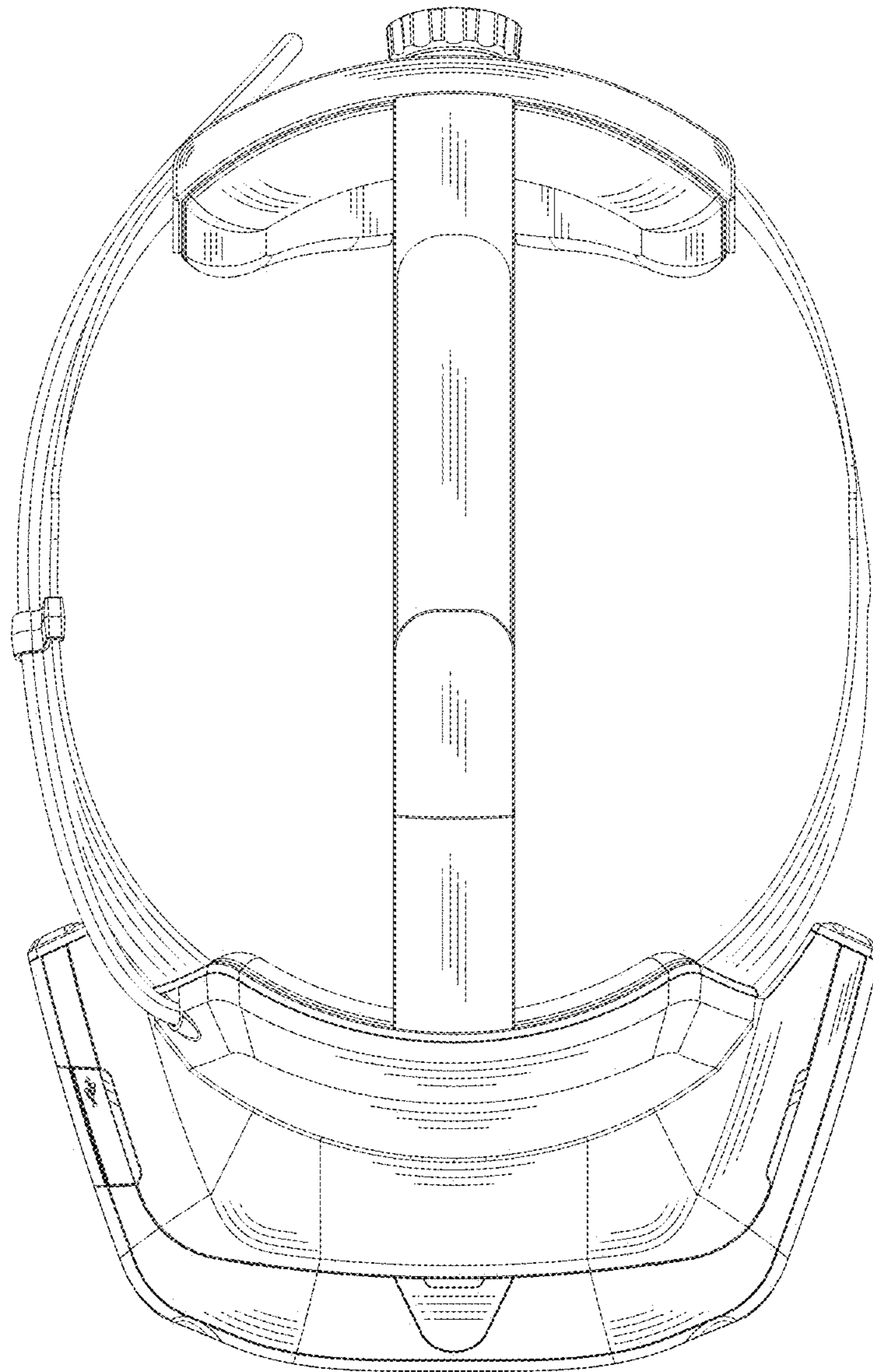


FIG. 6

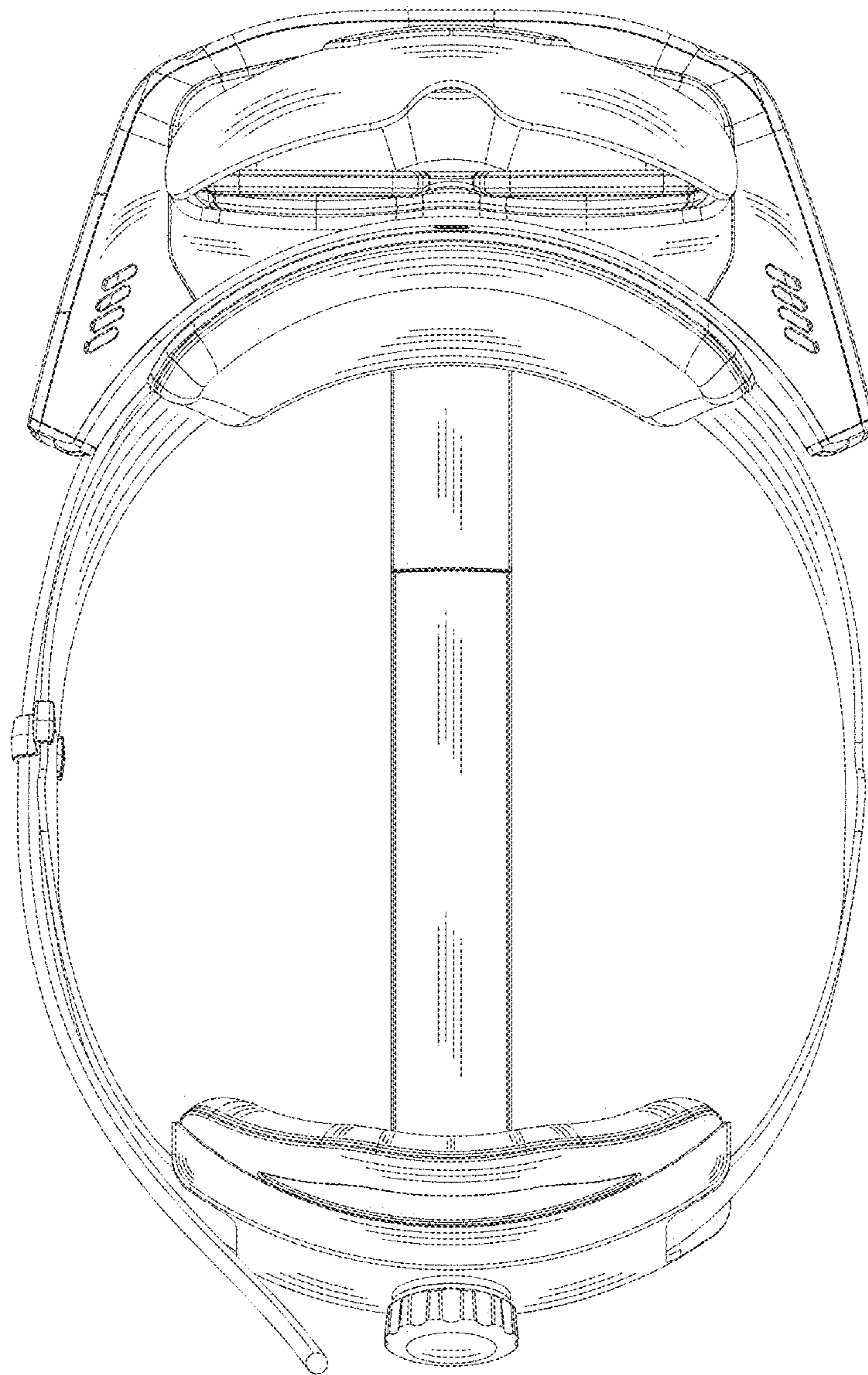


FIG. 7