



US00D951248S

(12) **United States Design Patent**
Chen

(10) **Patent No.:** **US D951,248 S**
(45) **Date of Patent:** **** May 10, 2022**

(54) **MONITOR**

FOREIGN PATENT DOCUMENTS

(71) Applicant: **GIGA-BYTE TECHNOLOGY CO., LTD.**, New Taipei (TW)

CN 304524652 * 3/2018
CN 304588680 * 4/2018

(Continued)

(72) Inventor: **Han-Yi Chen**, New Taipei (TW)

OTHER PUBLICATIONS

(73) Assignee: **GIGA-BYTE TECHNOLOGY CO., LTD.**, New Taipei (TW)

Aorus F1270-X Gaming Monitor, Gigabyte Technology, gigabyte.com, author not listed, published on Jan. 29, 2021 per wayback machine © 2021 GIGA-BYTE Technology Co., online, site visited Feb. 2, 2021. Available from Internet, URL: <https://www.gigabyte.com/Monitor/AORUS-FI27Q-X#rgb> (Year: 2021).*

(Continued)

(**) Term: **15 Years**

(21) Appl. No.: **29/665,608**

(22) Filed: **Oct. 5, 2018**

Primary Examiner — Lakiya G Rogers

Assistant Examiner — Altaira J Swangin

(30) **Foreign Application Priority Data**

May 3, 2018 (TW) 107302481

Aug. 24, 2018 (TW) 107302481D01

(74) *Attorney, Agent, or Firm* — Idea Intellectual Limited; Margaret A. Burke; Sam T. Yip

(51) **LOC (13) Cl.** **14-02**

(52) **U.S. Cl.**
USPC **D14/371**

(57) **CLAIM**

The ornamental design for a monitor, as shown and described.

(58) **Field of Classification Search**
USPC D14/300, 305–307, 314, 336, 373, D14/375–376, 448, 450–451, 900–902, D14/126–127, 203.8, 209.1, 302, 203.5, D14/203.7, 250, 371–372, 374–380, 440; D20/39, 41–42
CPC ... E04H 1/1227; E04H 1/1272; E04H 1/1222; G09F 13/00; G09F 9/00; G09F 9/3023; G09F 9/3026; G09F 15/00; G06F 1/20; G06F 1/1601
See application file for complete search history.

DESCRIPTION

FIG. 1 is a top perspective view of a monitor showing my new design;
FIG. 2 is a front elevational view thereof;
FIG. 3 is a rear elevational view thereof;
FIG. 4 is a left side elevational view thereof;
FIG. 5 is a right side elevational view thereof;
FIG. 6 is a top plan view thereof;
FIG. 7 is a bottom plan view thereof;
FIG. 8 is a top front perspective view thereof; and,
FIG. 9 is another top rear perspective view thereof, shown with environment.

The broken lines in the drawings illustrate portions of the monitor and form no part of the claimed design. The support shown in broken lines in FIG. 9 illustrates environment and form no part of the claimed design.

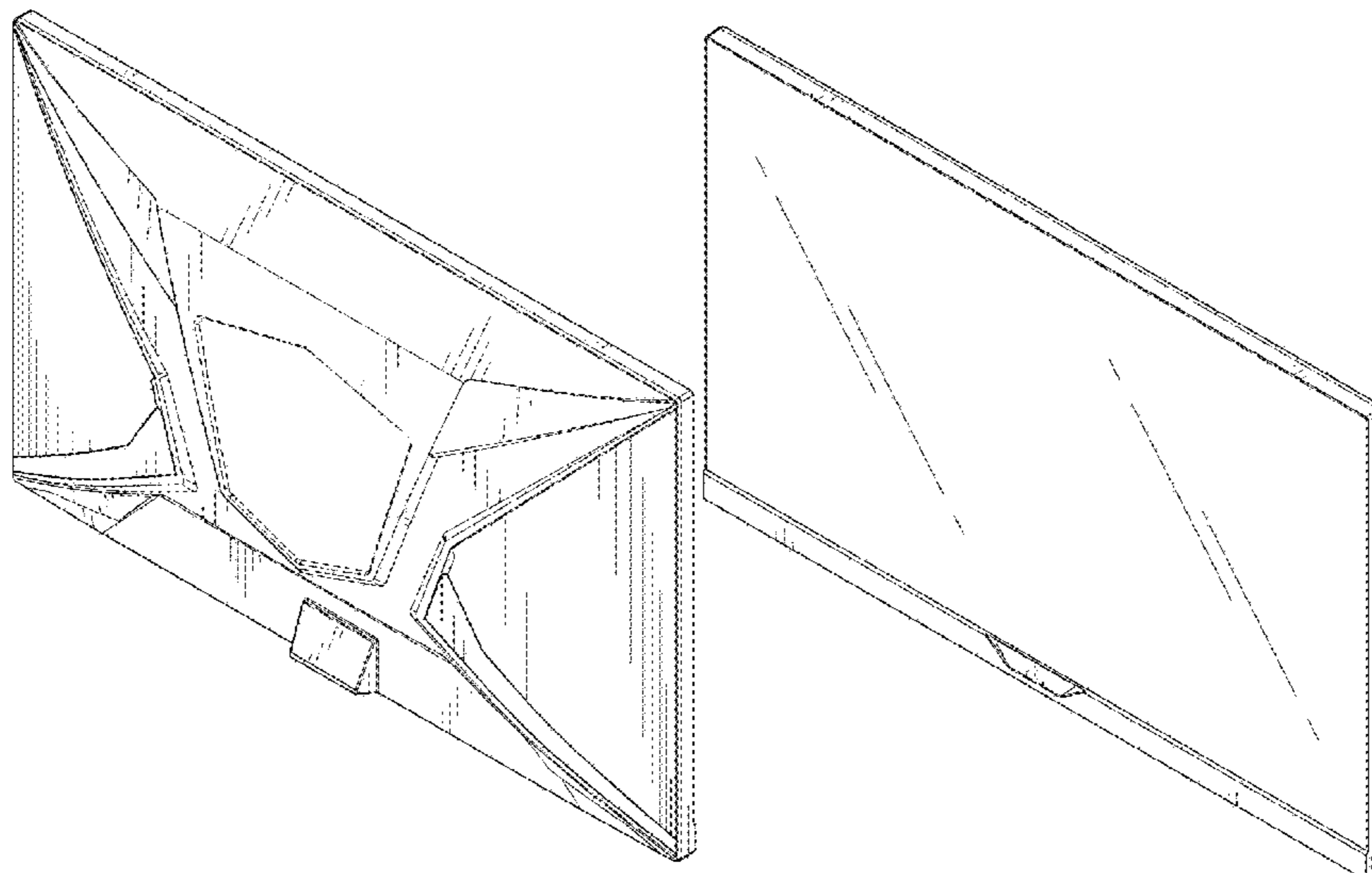
(56) **References Cited**

U.S. PATENT DOCUMENTS

D586,798 S * 2/2009 Tanaka D14/315
D623,643 S * 9/2010 Hsu D14/315
D623,644 S * 9/2010 Hsu D14/315

(Continued)

1 Claim, 7 Drawing Sheets



(56)

References Cited

U.S. PATENT DOCUMENTS

D623,646 S * 9/2010 Peng D14/324
 D623,647 S * 9/2010 Hsu D14/324
 D624,067 S * 9/2010 Peng D14/315
 D624,068 S * 9/2010 Peng D14/315
 D661,672 S * 6/2012 Kim D14/126
 D702,679 S * 4/2014 Li D14/324
 D708,614 S * 7/2014 Huh D14/374
 D725,649 S * 3/2015 Pak D14/336
 D732,041 S * 6/2015 Conn D14/439
 D733,698 S * 7/2015 Suzuki D14/315
 D742,843 S * 11/2015 Lee D14/126
 D753,650 S * 4/2016 Tanaka D14/315
 D760,718 S * 7/2016 Wallace D14/374
 D763,259 S * 8/2016 Lee D14/375
 9,529,389 B1 * 12/2016 Peters G06F 1/1601
 D780,755 S * 3/2017 Bae D14/374
 D786,237 S * 5/2017 Ju D14/315
 D806,083 S * 12/2017 Armstrong D14/440
 D816,673 S * 5/2018 Lim D14/374
 D825,553 S * 8/2018 Nagai D14/315
 D825,554 S * 8/2018 Nagai D14/315
 D837,791 S * 1/2019 Armstrong D14/440
 D839,260 S * 1/2019 Lee D14/301
 D849,750 S * 5/2019 Armstrong D14/440
 D850,456 S * 6/2019 Armstrong D14/440
 D856,956 S * 8/2019 Liu D14/138 R
 D867,371 S * 11/2019 Chen D14/451
 D868,788 S * 12/2019 Weng D14/440
 D876,420 S * 2/2020 Armstrong D14/250
 D876,423 S * 2/2020 Armstrong D14/250

D879,083 S * 3/2020 Feng D14/250
 D881,894 S * 4/2020 Zhang D14/440
 D888,031 S * 6/2020 Armstrong D14/250
 D898,036 S * 10/2020 Cheng D14/440
 D902,935 S * 11/2020 Li D14/440
 D912,668 S * 3/2021 Kang D14/375
 D924,859 S * 7/2021 Kim D14/239
 2015/0195604 A1 * 7/2015 Synowiec G06F 1/1601
 361/679.22
 2021/0208623 A1 * 7/2021 Su F16M 11/2092

FOREIGN PATENT DOCUMENTS

CN 304986424 * 1/2019
 EM 005638020-0001 * 9/2018
 EM 005638020-0002 * 9/2018

OTHER PUBLICATIONS

C24G1A24 Inch Curved Frameless Gaming Monitor, AOC, amazon.com, published by AOC on Sep. 15, 2020 © 1996-2021 Amazon.com, Inc., online, site visited Feb. 2, 2021. Available from Internet, URL: <https://www.amazon.com/AOC-C24G1A-Frameless-1920x1080-adjustable/dp/B08D3Y5PFZ?th=1> (Year: 2020).*
 XG2402 24 Inch Gaming Monitor, ViewSonic, amazon.com.au, published by ViewSonic on Apr. 19, 2018 © 1996-2021 Amazon.com, Inc., online, site visited Feb. 2, 2021. Available from Internet, URL: <https://www.amazon.com.au/ViewSonic-FreeSync-Gaming-Monitor-XG2402/dp/B075D1B4SV> (Year: 2018).*

* cited by examiner

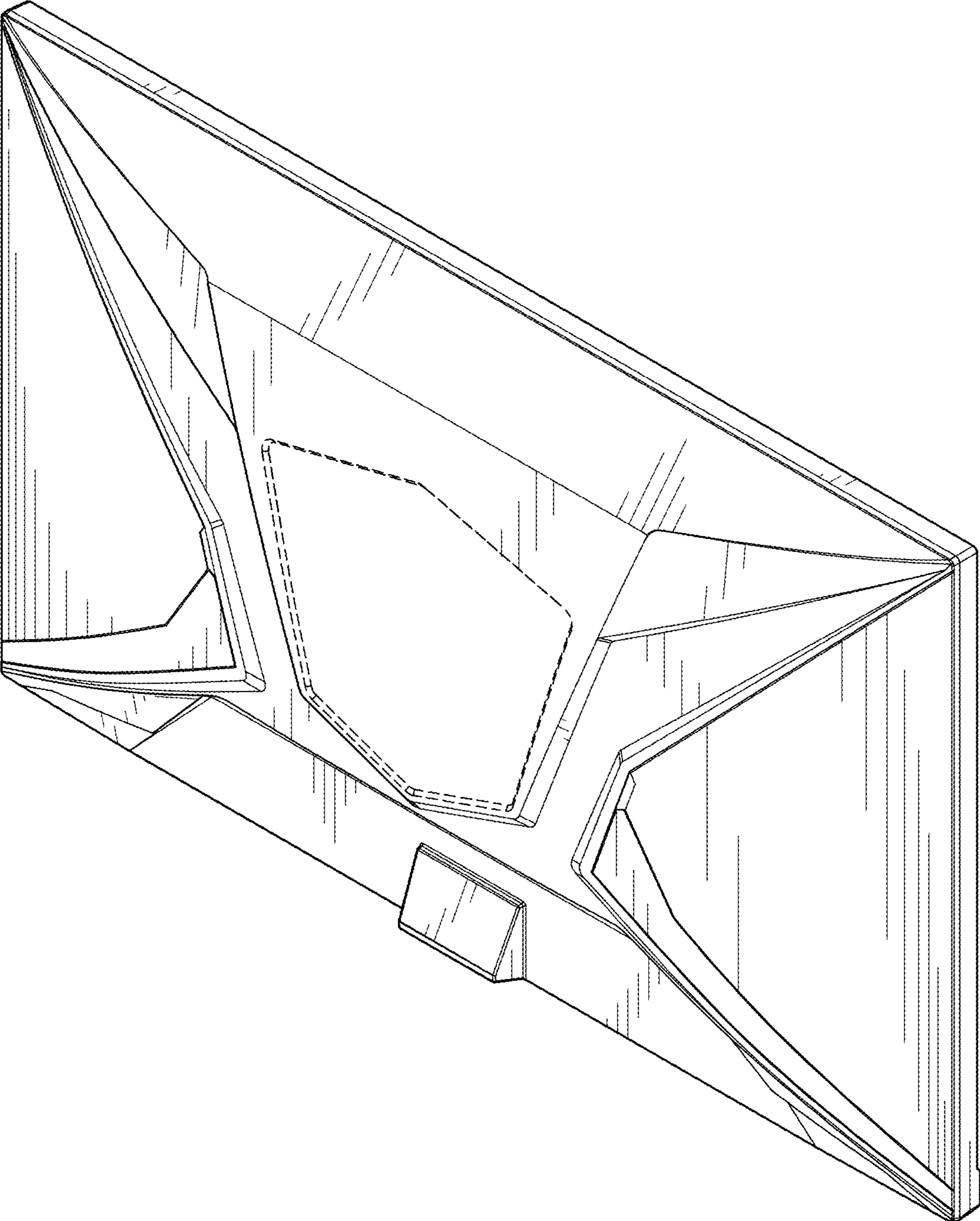


FIG. 1

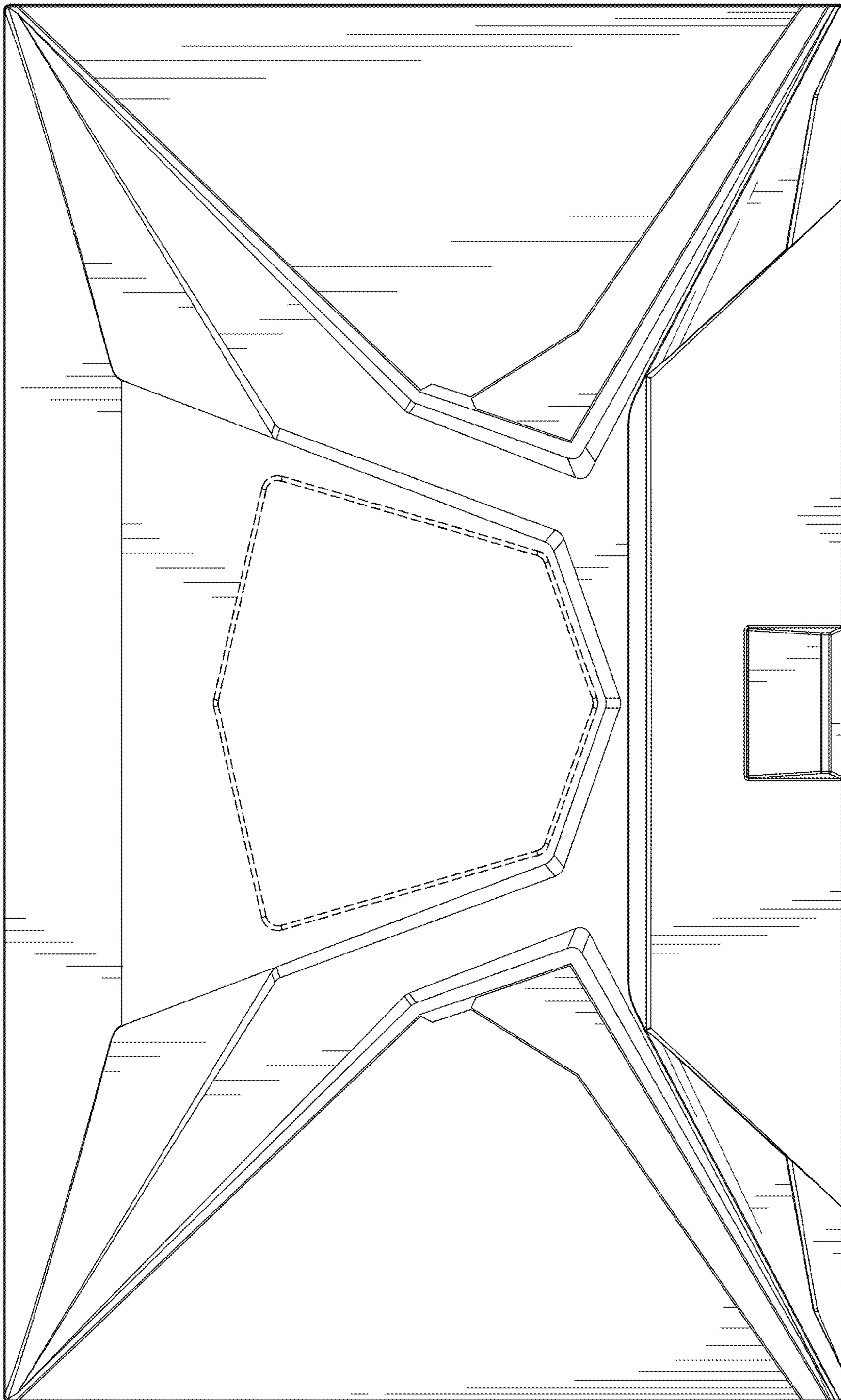


FIG.2

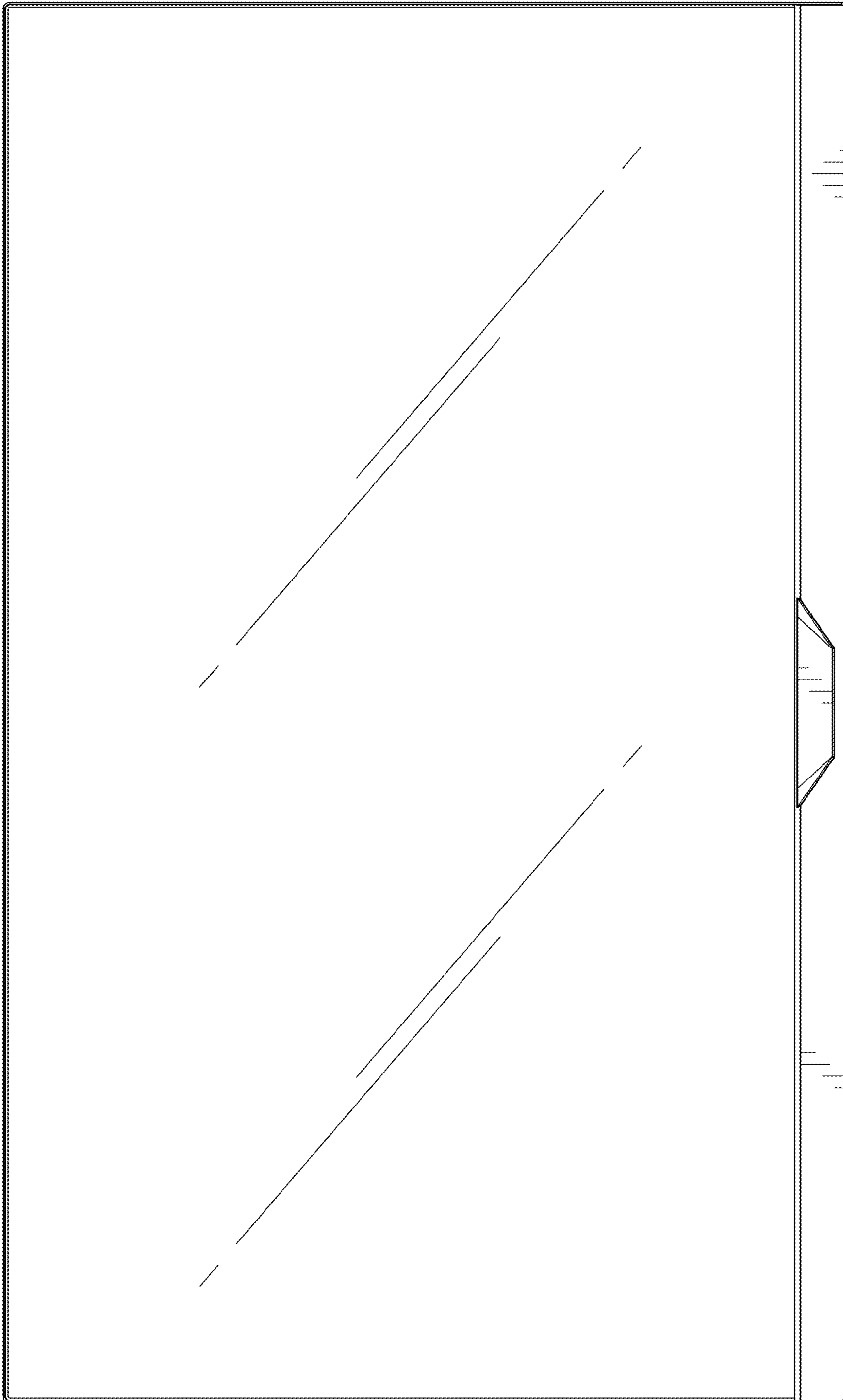


FIG.3

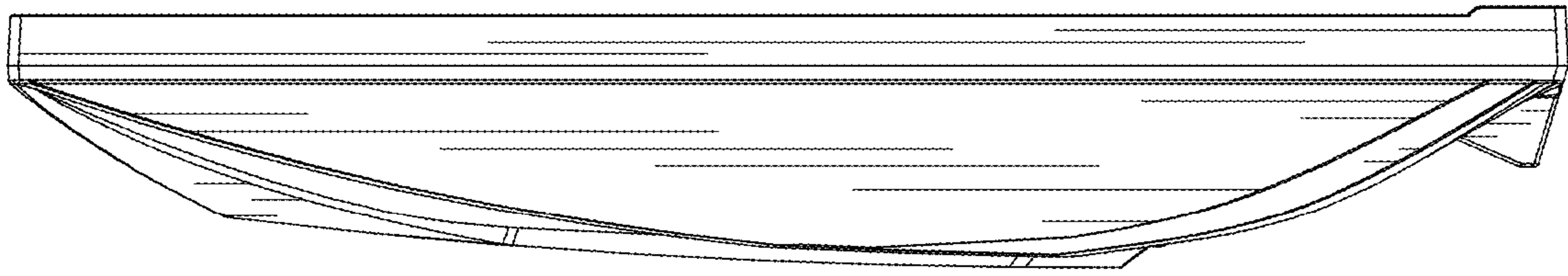


FIG. 4



FIG. 5

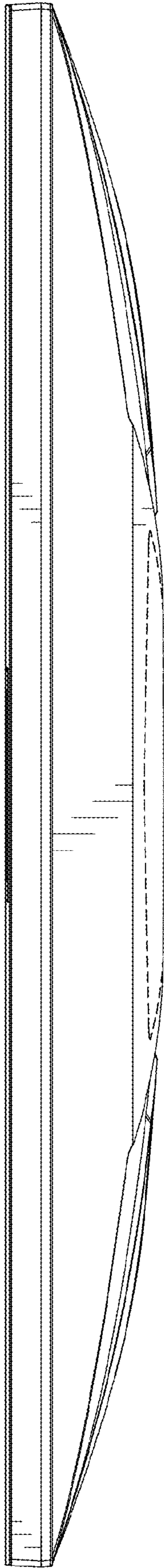


FIG. 6

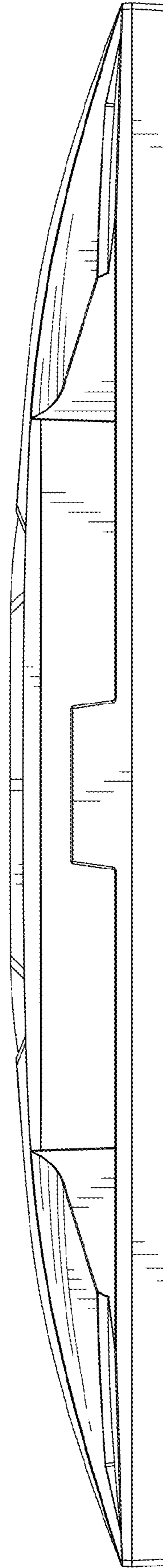


FIG. 7

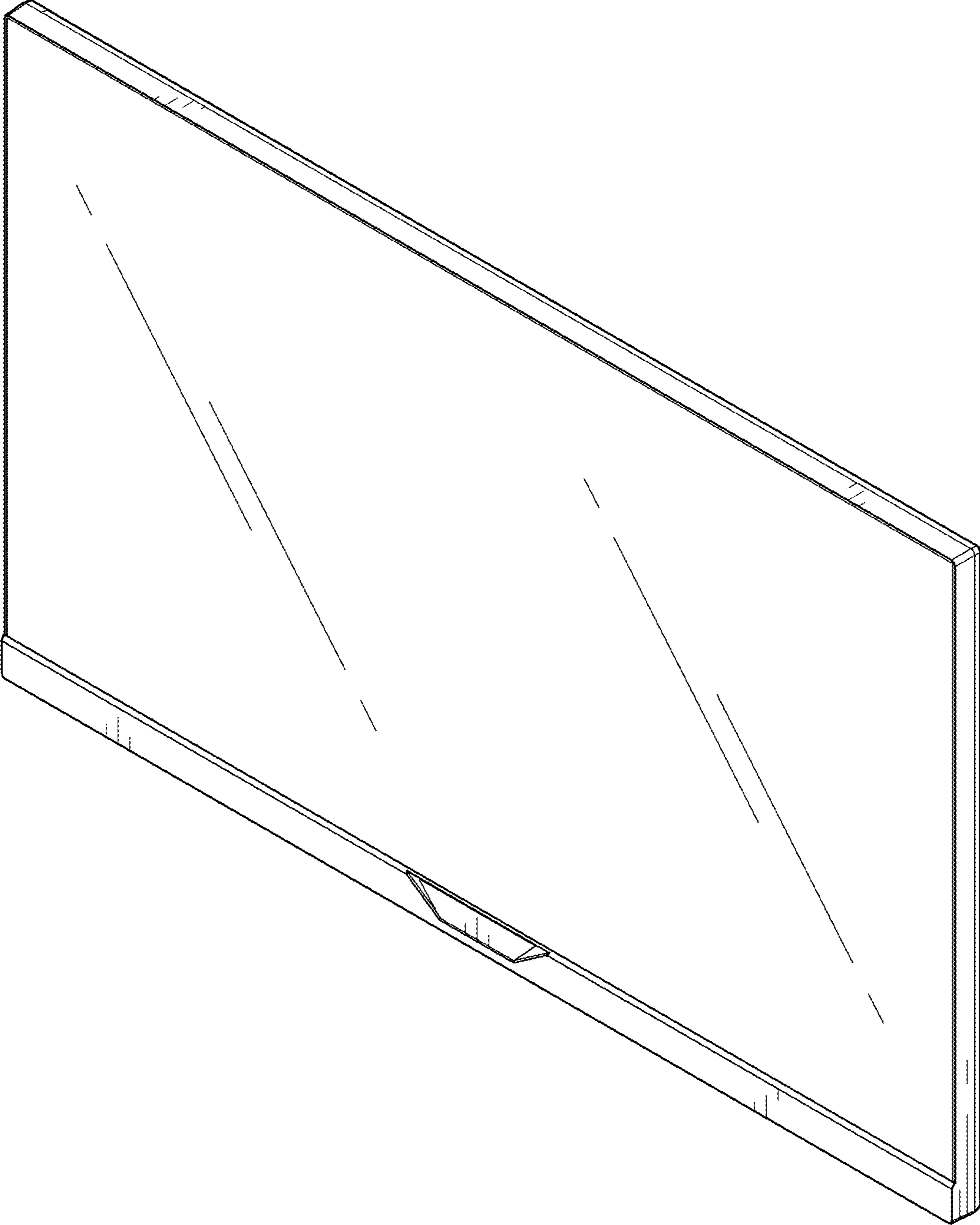


FIG.8

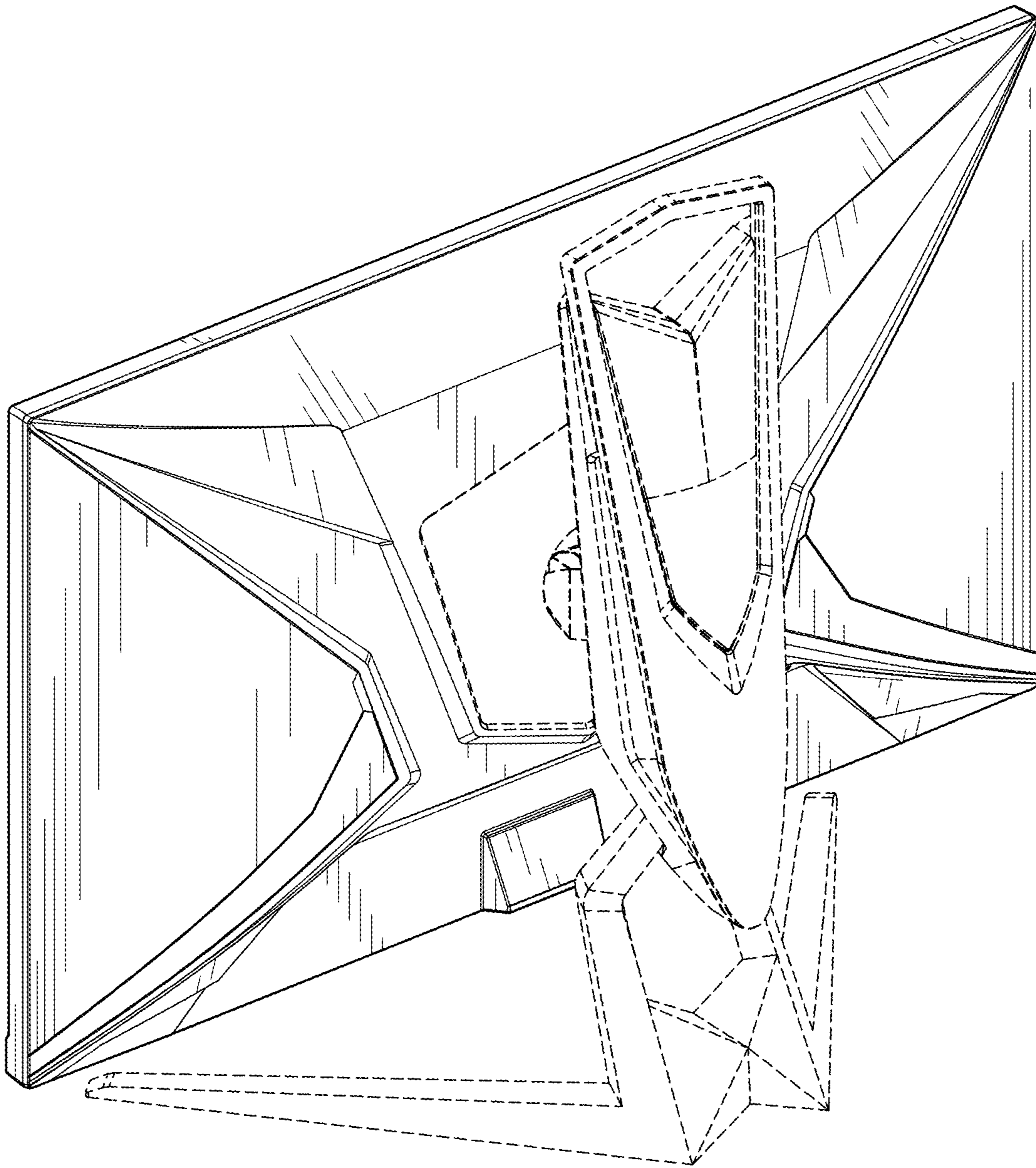


FIG. 9