

US00D951244S

(12) **United States Design Patent** (10) **Patent No.:** **US D951,244 S**
Lee (45) **Date of Patent:** **** May 10, 2022**

(54) **DISPLAY DEVICE**

FOREIGN PATENT DOCUMENTS

(71) Applicant: **Samsung Electronics Co., Ltd.**,
Suwon-si (KR)

CN 304072841 * 3/2017
CN 304588683 * 4/2018

(Continued)

(72) Inventor: **Seungchan Lee**, Suwon-si (KR)

OTHER PUBLICATIONS

(73) Assignee: **Samsung Electronics Co., Ltd.**,
Suwon-si (KR)

Apple Orders Foldable Displays . . . , Sep. 10, 2020, [retrieved Nov. 3, 2021], Retrieved from Internet, URL: <<https://www.iphonehacks.com/2020/09/apple-orders-foldable-displays-samsung-foldable-iphone-in-works.html>> (Year: 2020).*

(**) Term: **15 Years**

(Continued)

(21) Appl. No.: **29/692,164**

(22) Filed: **May 23, 2019**

Primary Examiner — Barbara Fox

Assistant Examiner — Aram Kwon

(30) **Foreign Application Priority Data**

(74) *Attorney, Agent, or Firm* — NSIP Law

Nov. 30, 2018 (KR) 30-2018-0056360

(51) **LOC (13) Cl.** **14-02**

(52) **U.S. Cl.**
USPC **D14/341**

(58) **Field of Classification Search**

USPC D14/138 AA, 138 AB, 138 AC, 138 AD,
D14/138 C, 138 G, 248, 315–318,
D14/341–347, 371, 374; D6/308, 310;
D10/125–128, 123, 114.6, 106.94, 106.92,
D10/106.5–106.6, 104.1, 98, 79, 70, 65,
D10/50, 46, 40–41, 30–39; D18/6–7;
D19/26, 59–60; D21/324, 329–330, 332
CPC .. H04M 1/0202; H04M 1/0266; H04M 1/725;
G06F 3/041; G06F 3/0412; G06F 3/0416
See application file for complete search history.

(57) **CLAIM**

I claim the ornamental design for a display device, as shown and described.

DESCRIPTION

FIG. 1 is a front perspective view of a display device showing my new design;
FIG. 2 is a front view thereof;
FIG. 3 is a rear view thereof;
FIG. 4 is a left-side view thereof;
FIG. 5 is a right-side view thereof;
FIG. 6 is a top view thereof;
FIG. 7 is a bottom view thereof; and,
FIG. 8 is an enlarged view of the encircled portion in FIG. 1.

(56) **References Cited**

U.S. PATENT DOCUMENTS

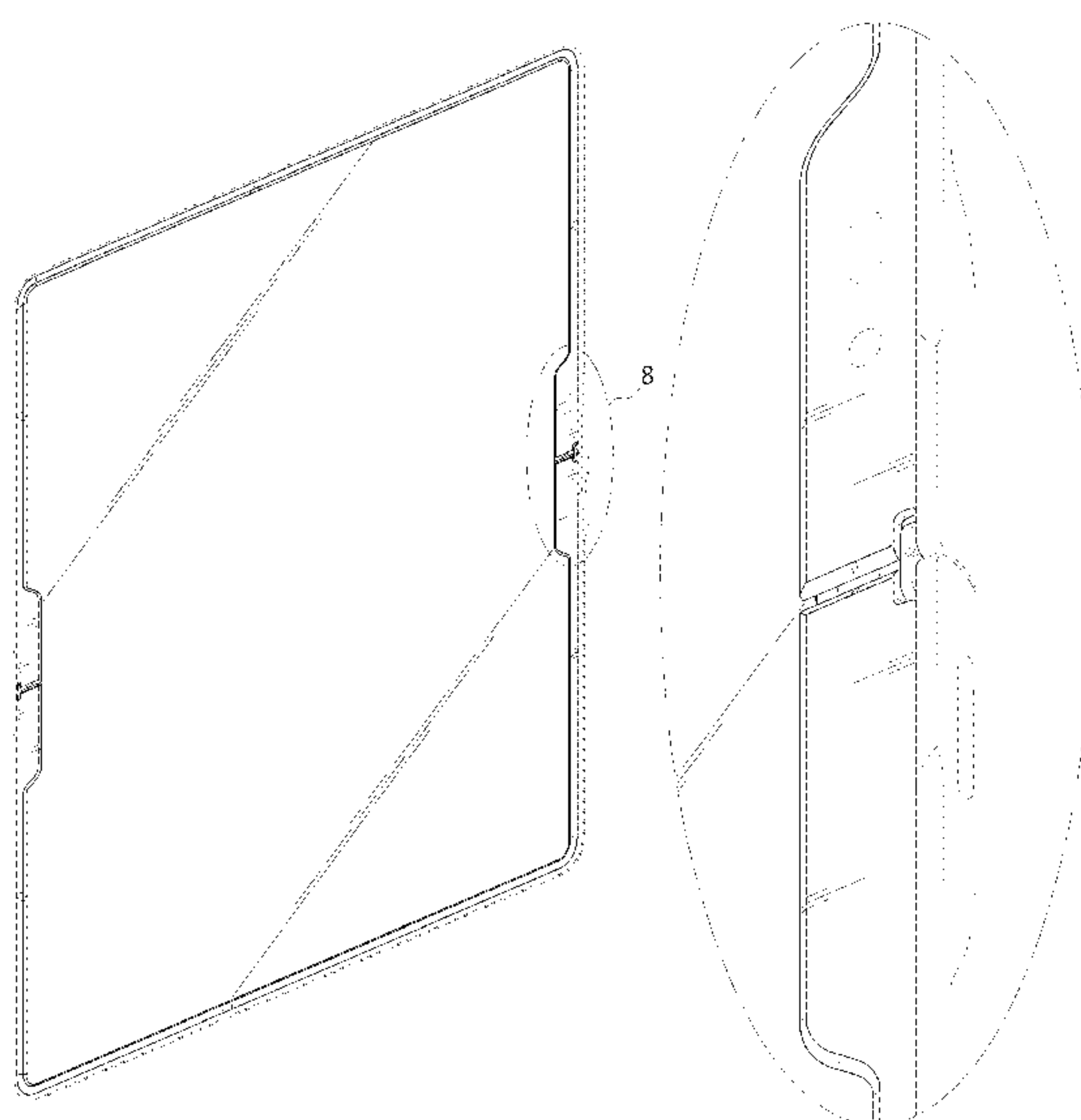
D636,769 S * 4/2011 Wood D14/341
D706,774 S * 6/2014 Park D14/341
D711,370 S * 8/2014 Chen D14/341
D711,871 S * 8/2014 Daniel D14/341

The short dash-dash broken lines in the figures depict portions of the display device that form no part of the claimed design.

The dot-dot-dash broken lines in FIGS. 1 and 8 encircling portions of the claimed design that are illustrated in enlargements form no part of the claimed design.

(Continued)

1 Claim, 6 Drawing Sheets



(56)

References Cited

U.S. PATENT DOCUMENTS

D715,052 S * 10/2014 Fair D3/301
 9,588,549 B2 * 3/2017 Endo G06F 3/0412
 D819,628 S * 6/2018 Park D14/345
 D910,619 S * 2/2021 Lim D14/345
 D910,620 S * 2/2021 Lee D14/345
 D910,622 S * 2/2021 Lee D14/345
 D926,183 S * 7/2021 Lim D14/345
 2012/0236484 A1 * 9/2012 Miyake G06F 1/1616
 361/679.01
 2015/0378397 A1 * 12/2015 Park G06F 1/1656
 361/679.27
 2021/0248347 A1 * 8/2021 Seo G06F 21/32

FOREIGN PATENT DOCUMENTS

KR 300666934.0000 * 11/2012
 KR 300838107.0000 * 2/2019
 RU 00091018 * 12/2014
 WO WOD087846-006 * 6/2017

OTHER PUBLICATIONS

Life with the Samsung Galaxy Fold, Oct. 11, 2019, [retrieved Nov. 3, 2021], Retrieved from Internet, URL: <<https://techcrunch.com/2019/10/11/life-with-the-samsung-galaxy-fold/>> (Year: 2019).*

Microsoft Windows 10X . . . , Mar. 30, 2020, [retrieved Nov. 3, 2021], Retrieved from Internet, URL: <<https://www.forbes.com/sites/moorinsights/2020/03/30/microsoft-windows-10x-will-spark-innovation-and-market-growth-for-foldable-devices/#27dc253%E2%80%A6>> (Year: 2020).*

Samsung ‘Galaxy F’ Tablet . . . , Oct. 16, 2018, [retrieved Nov. 3, 2021], Retrieved from Internet, URL: <<https://www.thelivemirror.com/samsung-foldable-smartphone-tablet/>> (Year: 2018).*

Samsung Galaxy Tab Foldable Tablet . . . , Apr. 8, 2021, [retrieved Nov. 3, 2021], Retrieved from Internet, URL: <<https://www.concept-phones.com/samsung/samsung-galaxy-tab-foldable-tablet-pops-up-in-patent-and-renders/>> (Year: 2021).*

* cited by examiner

FIG. 1

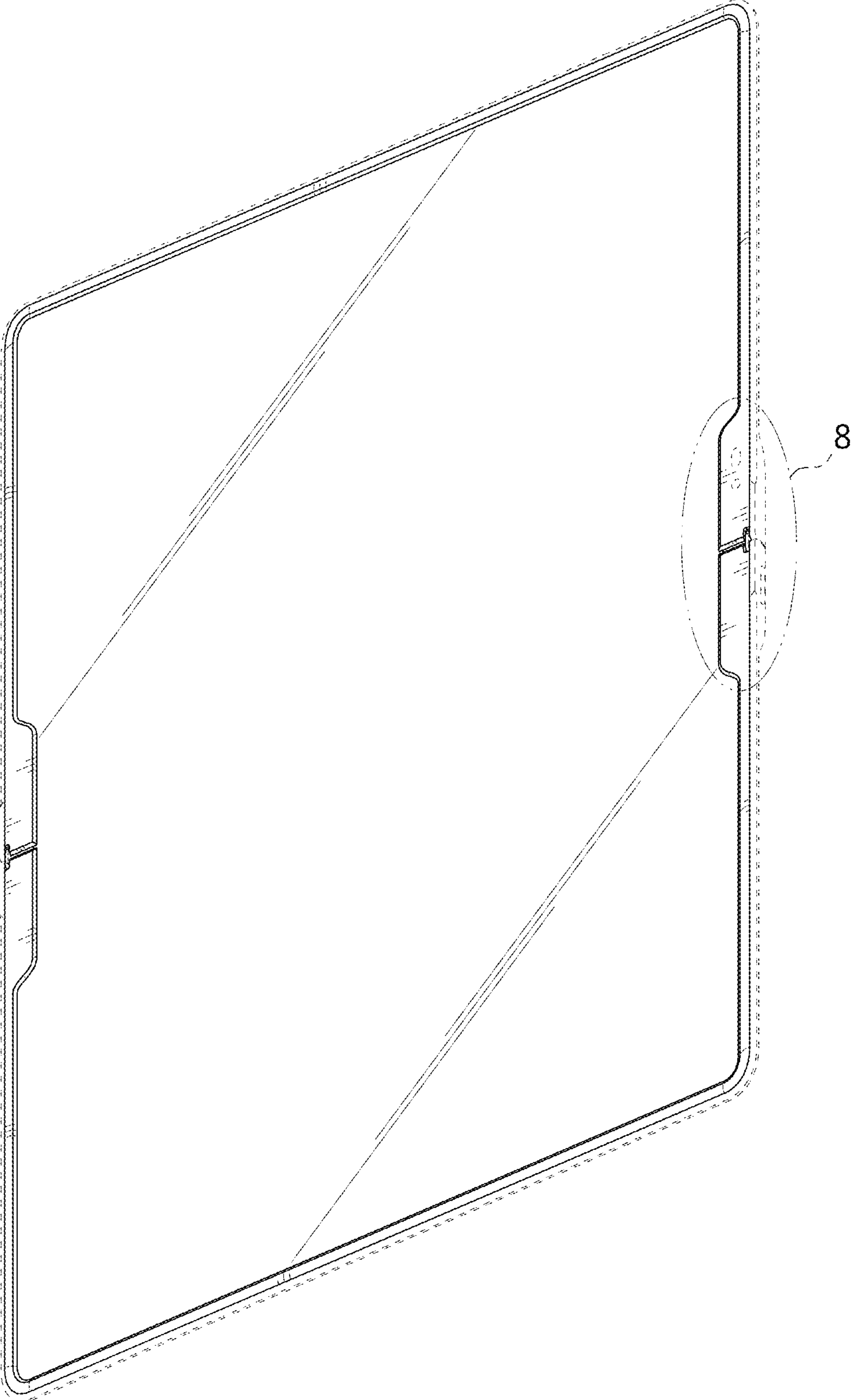


FIG. 2

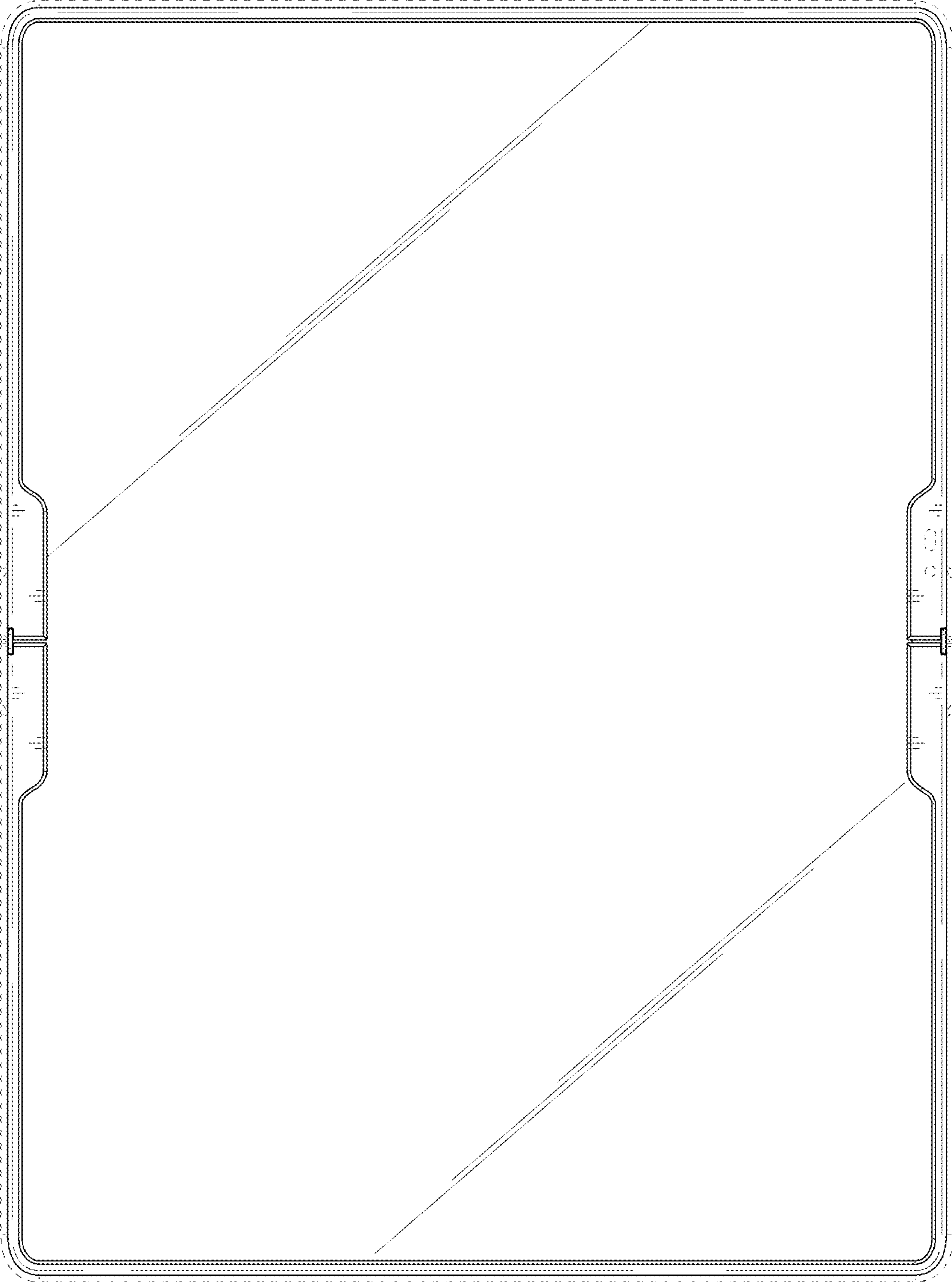


FIG. 3

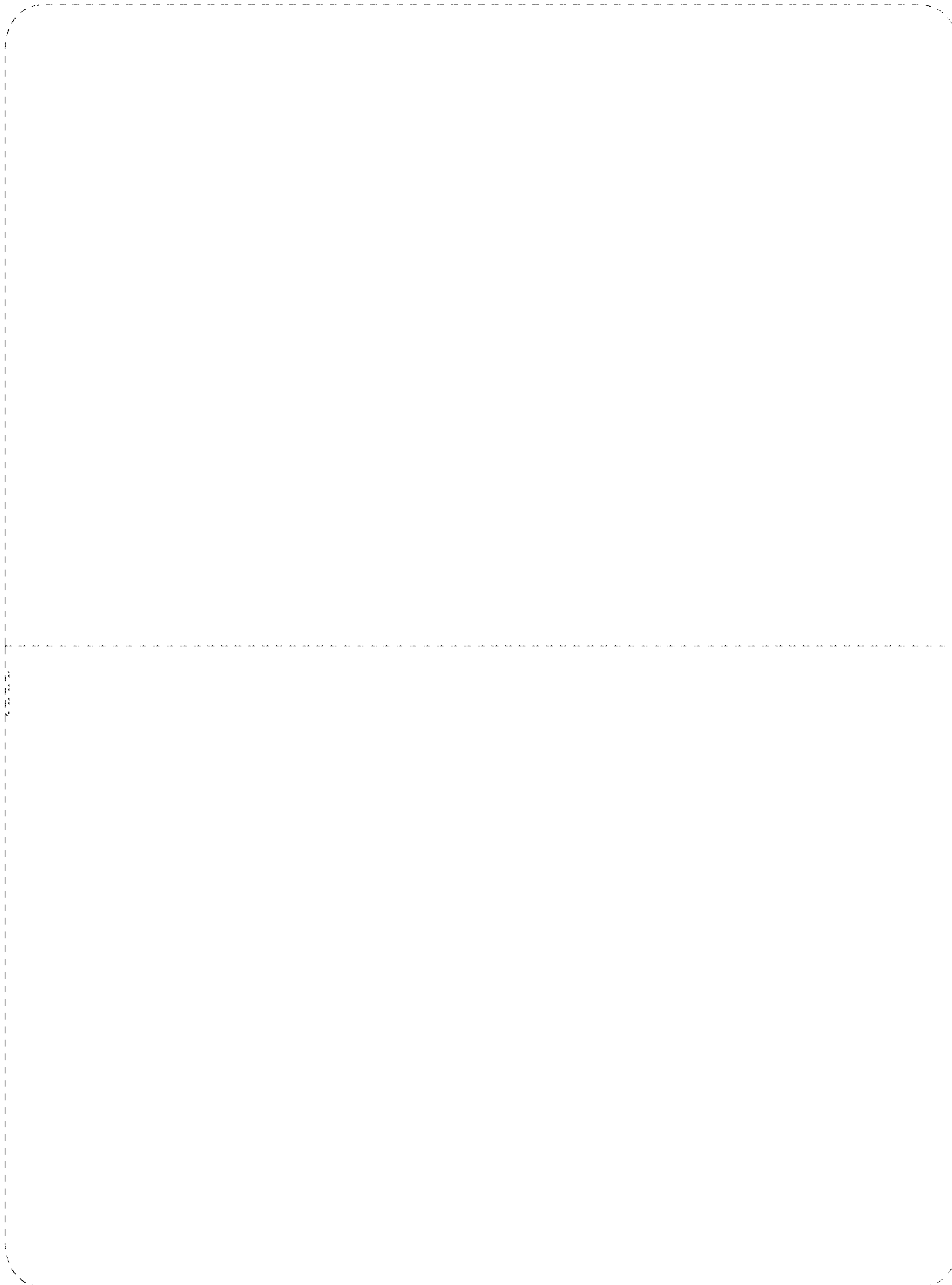


FIG. 4



FIG. 5

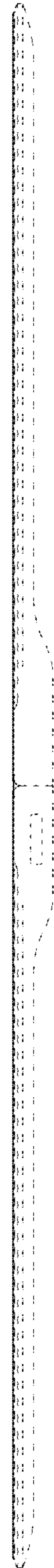


FIG. 6

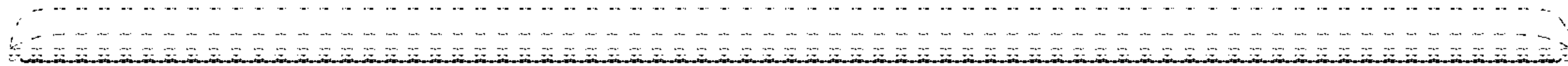


FIG. 7



FIG. 8

