



US00D951239S

(12) **United States Design Patent** (10) **Patent No.:** **US D951,239 S**
van Til et al. (45) **Date of Patent:** **** May 10, 2022**

(54) **TELEVISION SUPPORT MOUNT**
(71) Applicant: **Universal Electronics Inc.**, Santa Ana, CA (US)

D837,225 S * 1/2019 Russell D14/452
D848,990 S * 5/2019 Pei D14/239
D849,727 S * 5/2019 van Til D14/239
D877,743 S * 3/2020 Pei D14/451

(72) Inventors: **Peter Martin van Til**, Enschede (NL);
Niek Fox, Hengelo (NL); **Luigi D'Andrea**, Hengelo (NL)

OTHER PUBLICATIONS

[One For All XL TV Bracket], available in Amazon.com, date first available Oct. 13, 2020 [online], [site visited Dec. 6, 2021], Available from the internet URL: https://www.amazon.com/dp/B08KW8BRY4/ref=asc_df_B08KW8BRY4161926200000/ (Year: 2020).*

(73) Assignee: **Universal Electronics Inc.**, Santa Ana, CA (US)

* cited by examiner

(**) Term: **15 Years**

Primary Examiner — Khawaja Anwar

(21) Appl. No.: **29/740,164**

Assistant Examiner — Megan Tiana Rakos

(22) Filed: **Jul. 1, 2020**

(74) *Attorney, Agent, or Firm* — Greenberg Traurig, LLP

(51) **LOC (13) Cl.** **14-03**

(57) **CLAIM**

(52) **U.S. Cl.**
USPC **D14/239**

The ornamental design for a television support mount, as shown and described.

(58) **Field of Classification Search**
USPC D8/349, 373; D14/239, 451
CPC F16M 11/10; F16M 11/24; F16M 13/02;
F16M 11/00
See application file for complete search history.

DESCRIPTION

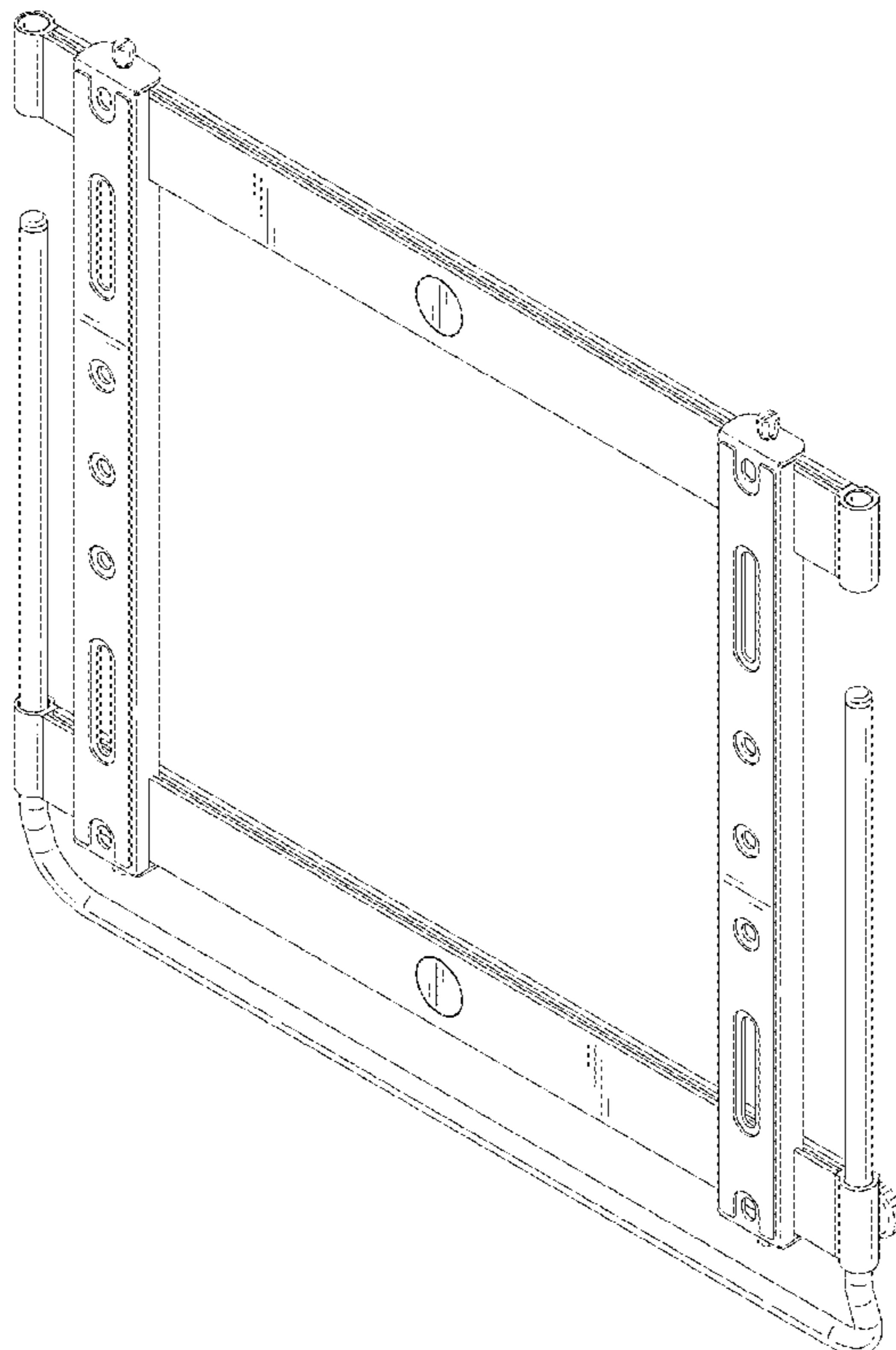
(56) **References Cited**

U.S. PATENT DOCUMENTS

7,559,519 B1 * 7/2009 Dragic E04B 2/7457
248/216.1
D635,130 S * 3/2011 Skull D14/239
D811,376 S * 2/2018 Pei D14/239

FIG. 1 is a top, front perspective view of a television support mount showing our new design;
FIG. 2 is front side elevational view thereof;
FIG. 3 is a rear side elevational view thereof;
FIG. 4 is a left side elevational view thereof;
FIG. 5 is a right side elevational view thereof;
FIG. 6 is a top plan view thereof; and,
FIG. 7 is a bottom plan view thereof.
The broken lines depict portions of the television support mount that form no part of the claimed design.

1 Claim, 5 Drawing Sheets



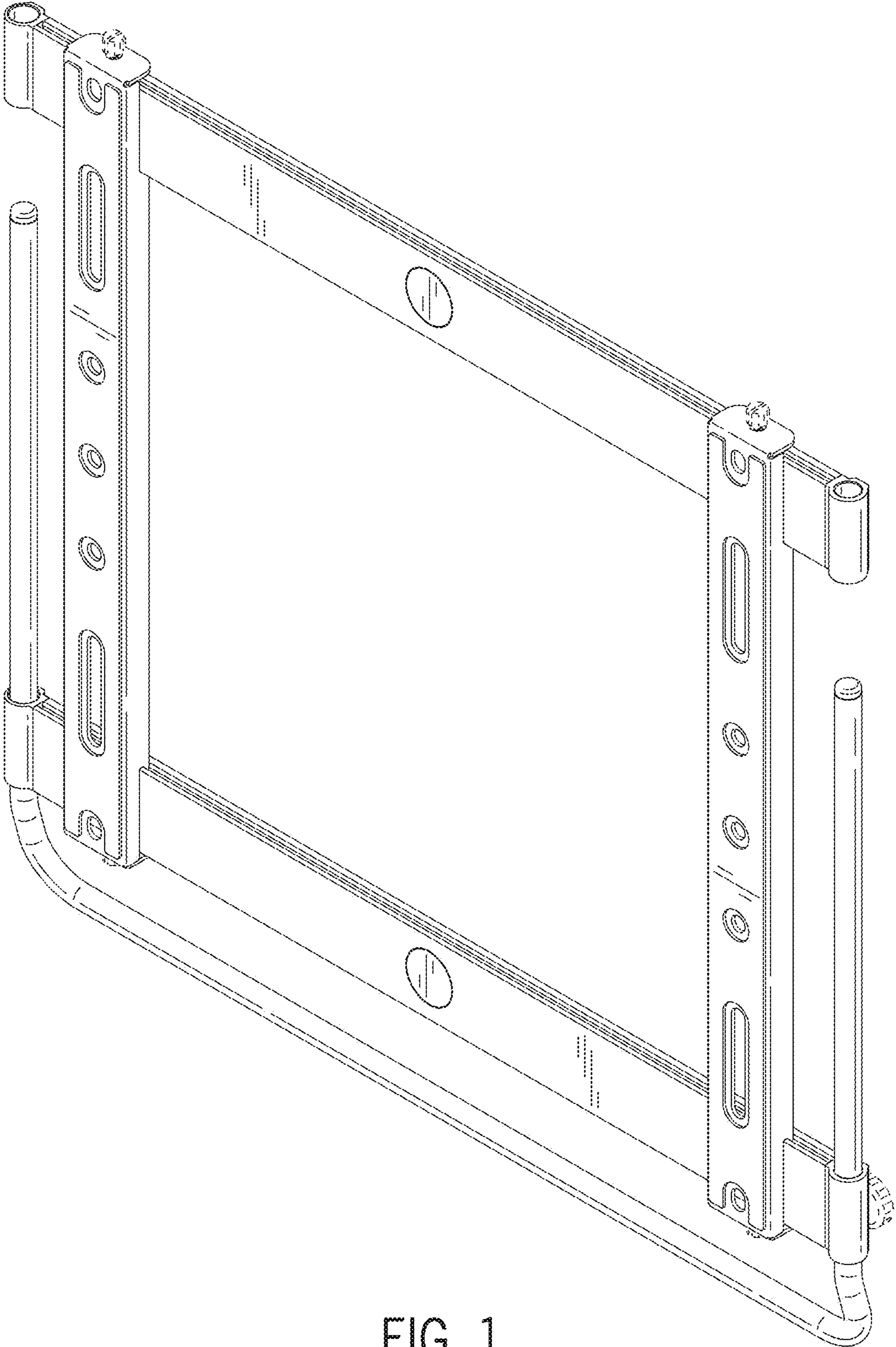


FIG. 1

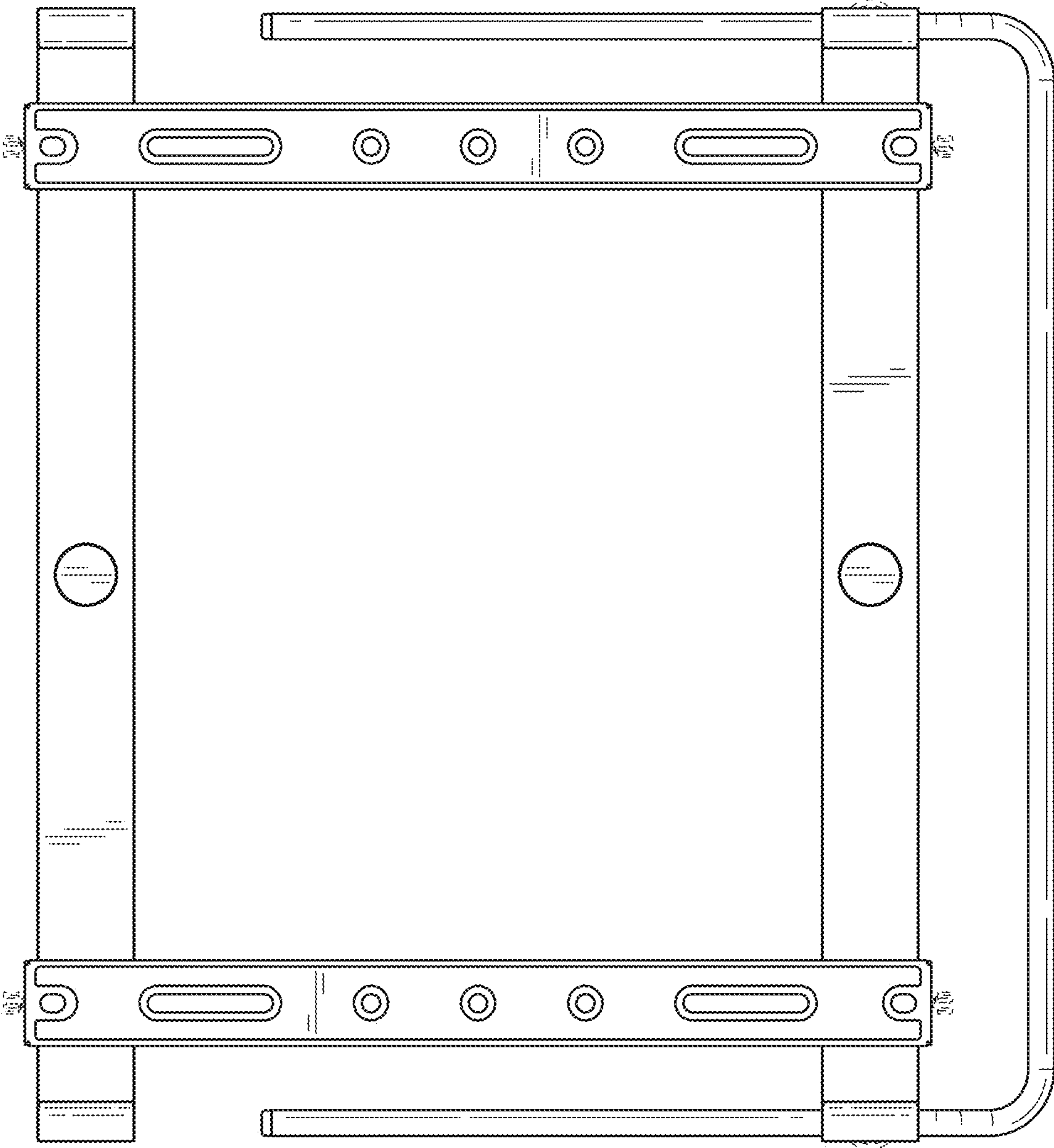


FIG. 2

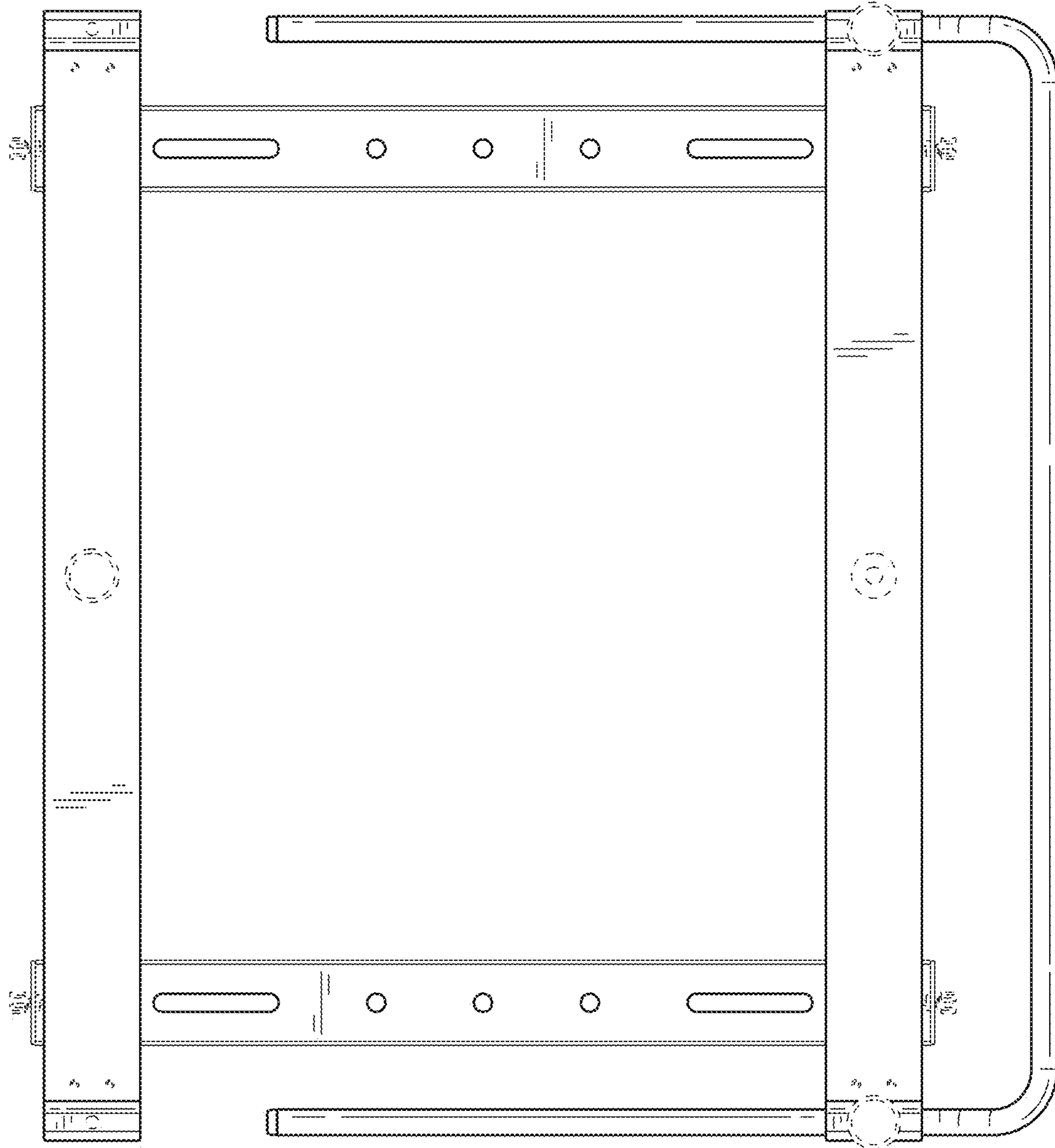


FIG. 3

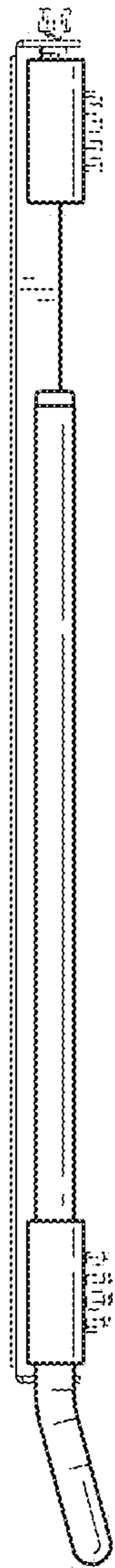


FIG. 4

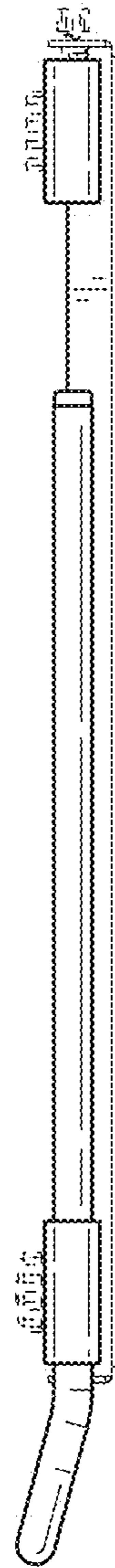


FIG. 5



FIG. 6

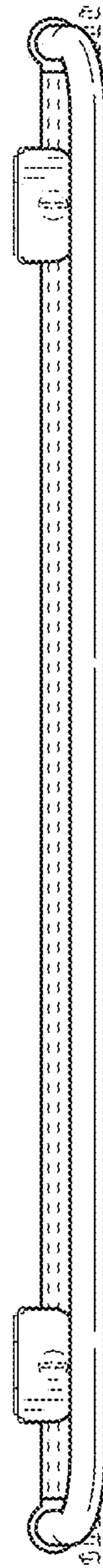


FIG. 7