



US00D951237S

(12) **United States Design Patent** (10) **Patent No.:** **US D951,237 S**  
**Liu** (45) **Date of Patent:** **\*\* May 10, 2022**

(54) **BLUETOOTH INTERCOM**

FOREIGN PATENT DOCUMENTS

(71) Applicant: **SHENZHEN XINGYAODA TECHNOLOGY CO., LTD.**, Shenzhen (CN)

CN 304349368 \* 11/2017  
CN 306040136 \* 9/2020  
EM 008654750-0001 \* 8/2021  
JP D1676956 \* 1/2021

(72) Inventor: **Xinghua Liu**, Ruijin (CN)

OTHER PUBLICATIONS

(73) Assignee: **SHENZHEN XINGYAODA TECHNOLOGY CO., LTD.**, Shenzhen (CN)

Motorcycle Bluetooth Intercom, available in Amazon.com, date first available Oct. 10, 2018 [online], site visited: Dec. 27, 2021, Available from the internet URL: [https://www.amazon.com/dp/B07J5Y49NV/ref=cm\\_sw\\_em\\_r\\_mt\\_dp\\_156WJSAFKFFT84HGGXY5](https://www.amazon.com/dp/B07J5Y49NV/ref=cm_sw_em_r_mt_dp_156WJSAFKFFT84HGGXY5) (Year: 2018).\*

(\*\*) Term: **15 Years**

Lexin 2pcs FT4 . . . , available in Amazon.com, date first available Apr. 28, 2020 [online], site visited: Dec. 27, 2021, Available from the internet URL: [https://www.amazon.com/dp/B084GWV5SM/ref=cm\\_sw\\_em\\_r\\_mt\\_dp\\_D20P74NZEW50WH6QENBS?\\_encoding=UTF8&psc=1](https://www.amazon.com/dp/B084GWV5SM/ref=cm_sw_em_r_mt_dp_D20P74NZEW50WH6QENBS?_encoding=UTF8&psc=1) (Year: 2020).\*

(21) Appl. No.: **29/737,531**

(22) Filed: **Jun. 10, 2020**

(Continued)

(51) **LOC (13) Cl.** ..... **14-03**

*Primary Examiner* — Daniel J Domino

(52) **U.S. Cl.**

*Assistant Examiner* — Samina Vieth

USPC ..... **D14/230**

(58) **Field of Classification Search**

(57) **CLAIM**

USPC ..... D14/217, 233, 206, 155, 159, 230, 218;  
D13/158, 162, 184, 199

The ornamental design for a Bluetooth intercom, as shown and described.

CPC ..... H01H 9/0242; H01H 9/025; G06F 1/187;  
G06F 1/183; G06F 1/184; G06F 1/16;  
H05K 7/16; H05K 7/1424

**DESCRIPTION**

See application file for complete search history.

FIG. 1 is a perspective view of a Bluetooth intercom showing my new design;  
FIG. 2 is another perspective view thereof;  
FIG. 3 is a front elevational view thereof;  
FIG. 4 is a rear elevational view thereof;  
FIG. 5 is a left side elevational view thereof;  
FIG. 6 is a right side elevational view thereof;  
FIG. 7 is a top plan view thereof; and,  
FIG. 8 is a bottom plan view thereof.

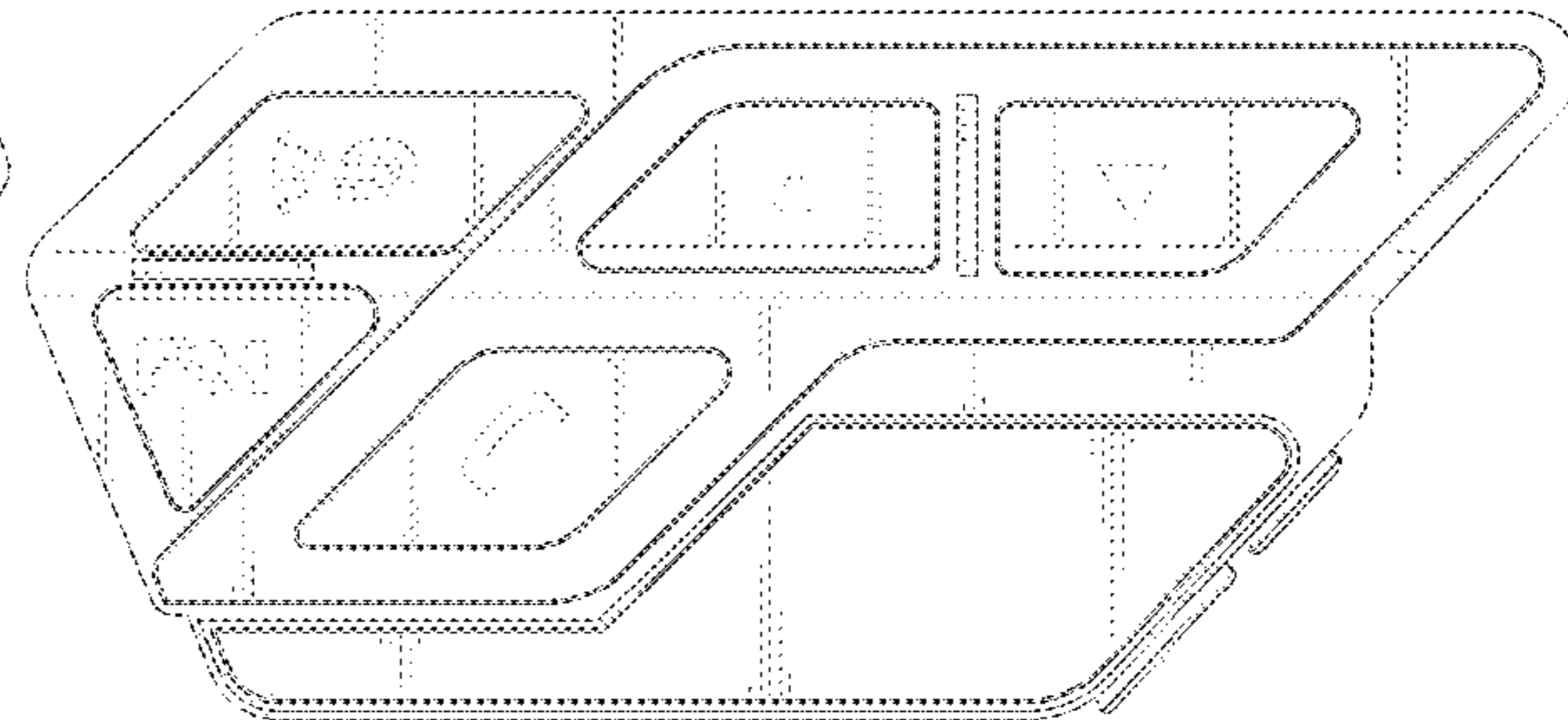
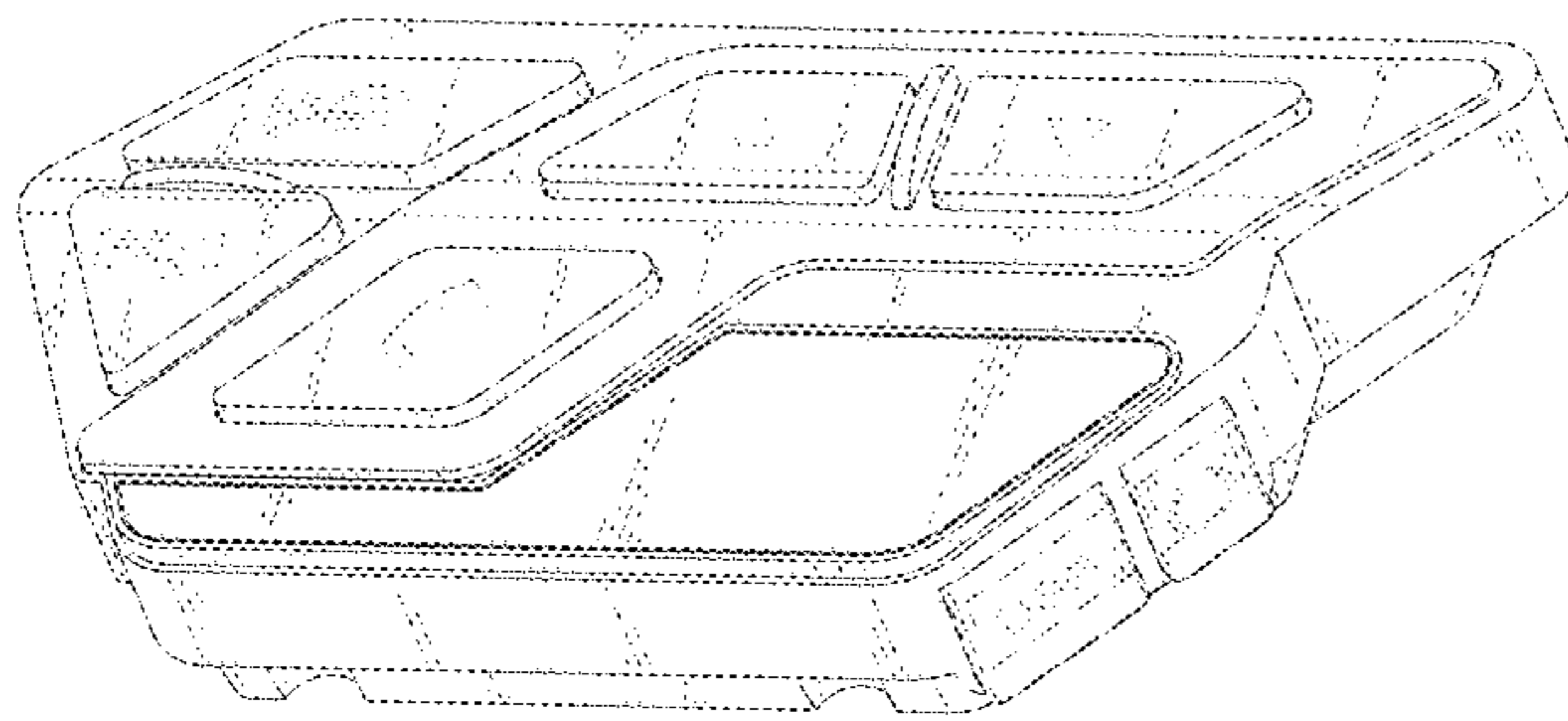
(56) **References Cited**

The broken lines in the drawings depict portions of the Bluetooth intercom that form no part of the claimed design.

U.S. PATENT DOCUMENTS

D413,867 S \* 9/1999 Mullet ..... D13/162  
D754,067 S \* 4/2016 Kovacs ..... D13/133  
D780,726 S \* 3/2017 Wang ..... D14/240  
D821,404 S \* 6/2018 Chan ..... D14/434  
D870,055 S \* 12/2019 Deyaf ..... D13/162  
D877,719 S \* 3/2020 Glezerman ..... D14/217  
D898,709 S \* 10/2020 Jiang ..... D14/223

**1 Claim, 8 Drawing Sheets**



(56)

**References Cited**

OTHER PUBLICATIONS

BT-12 Wireless Bluetooth . . . , available in Ebay.com, date first available Jul. 23, 2020 [online], site visited: Dec. 27, 2021, Available from the internet URL: <https://www.ebay.com/itm/264764349057?hash=item3da52f5a81:g:G~oAAOSwjVRg-4xY> (Year: 2020).\*

Lexin 2pcs ET-COM . . . , available in Amazon.com, date first available Sep. 17, 2020 [online], site visited: Dec. 27, 2021, Available from the internet URL: [https://www.amazon.com/dp/B08JBVKFZ2/ref=cm\\_sw\\_em\\_r\\_mt\\_dp\\_QW4C8BJFQXFZDS6V44RS?\\_encoding=UTF8&psc=1=1](https://www.amazon.com/dp/B08JBVKFZ2/ref=cm_sw_em_r_mt_dp_QW4C8BJFQXFZDS6V44RS?_encoding=UTF8&psc=1=1) (Year: 2020).\*

\* cited by examiner

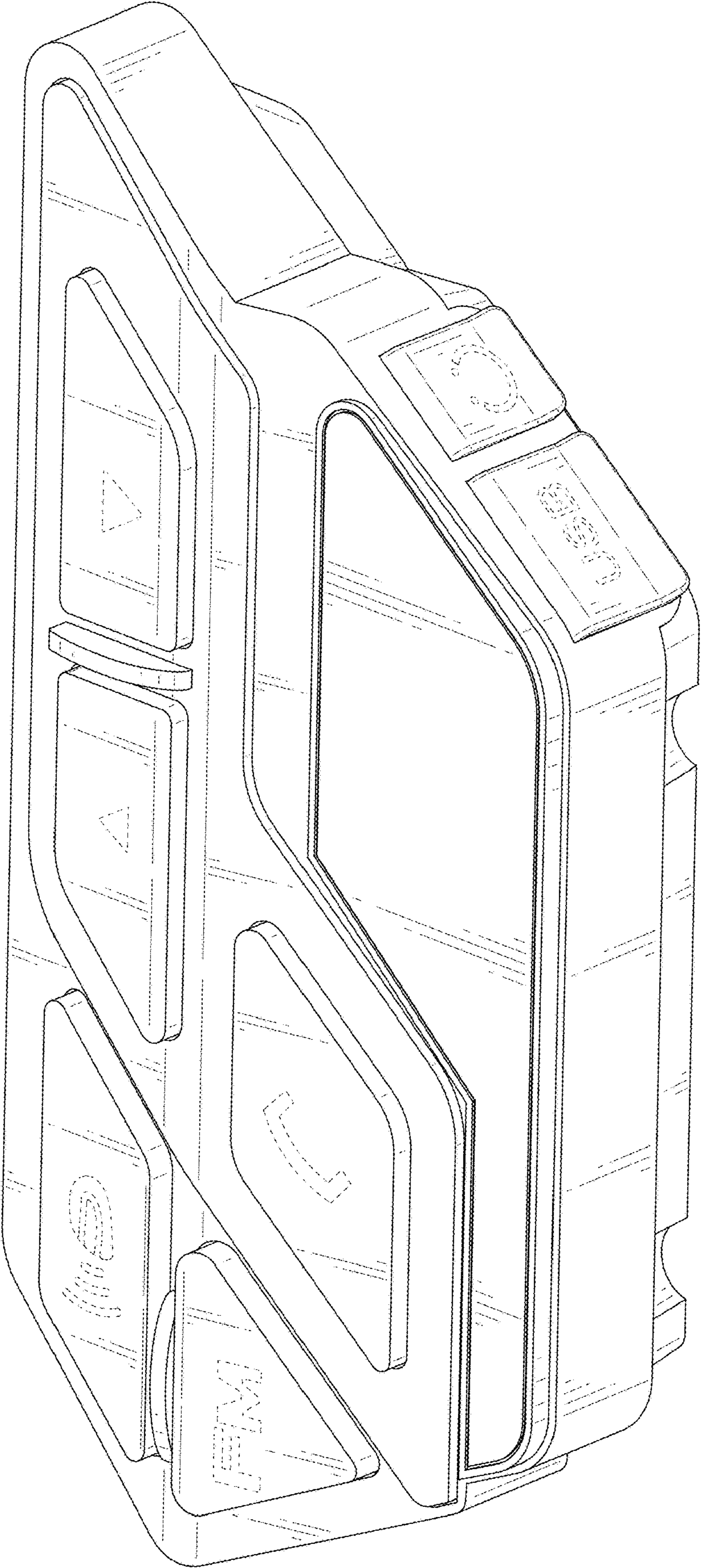


FIG. 1

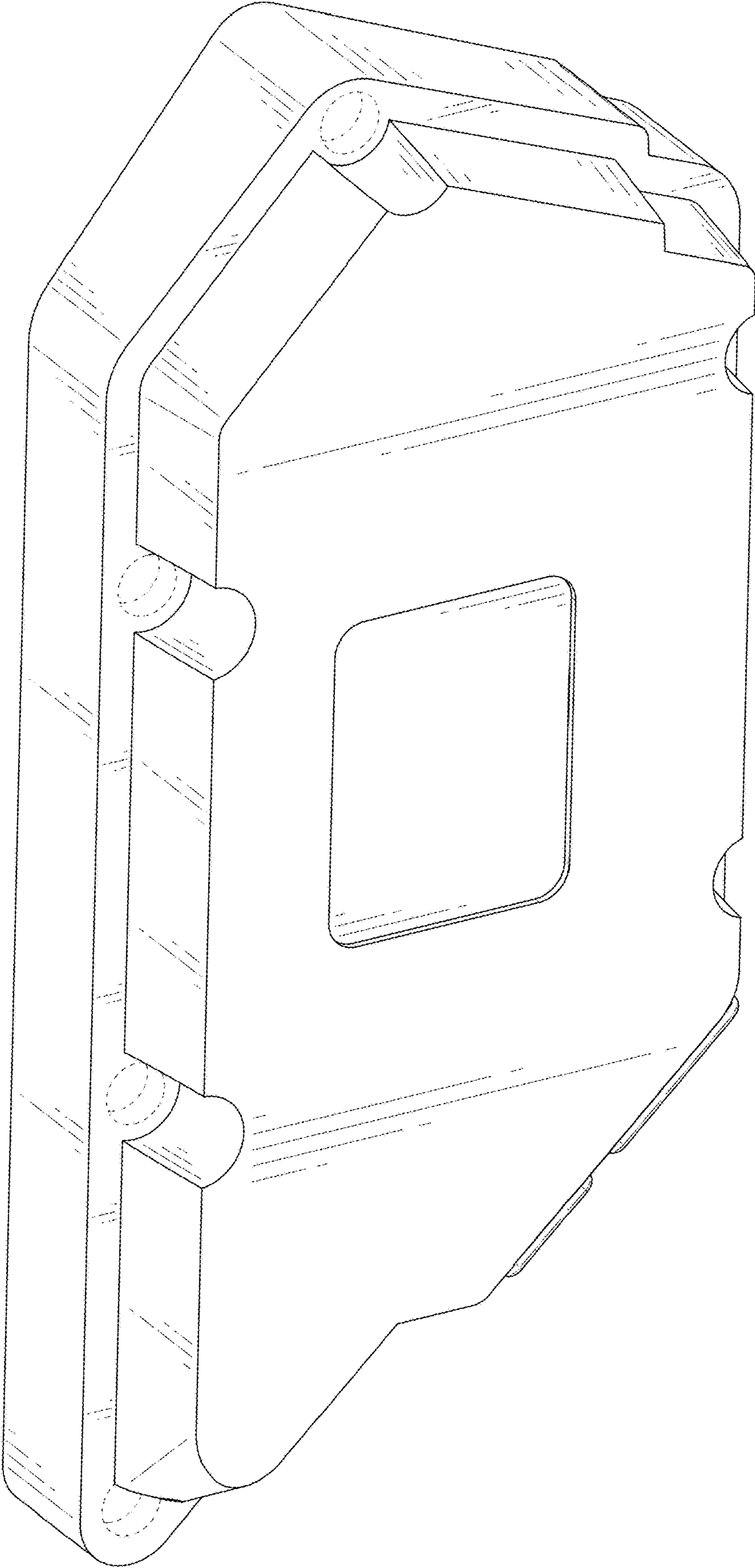


FIG. 2

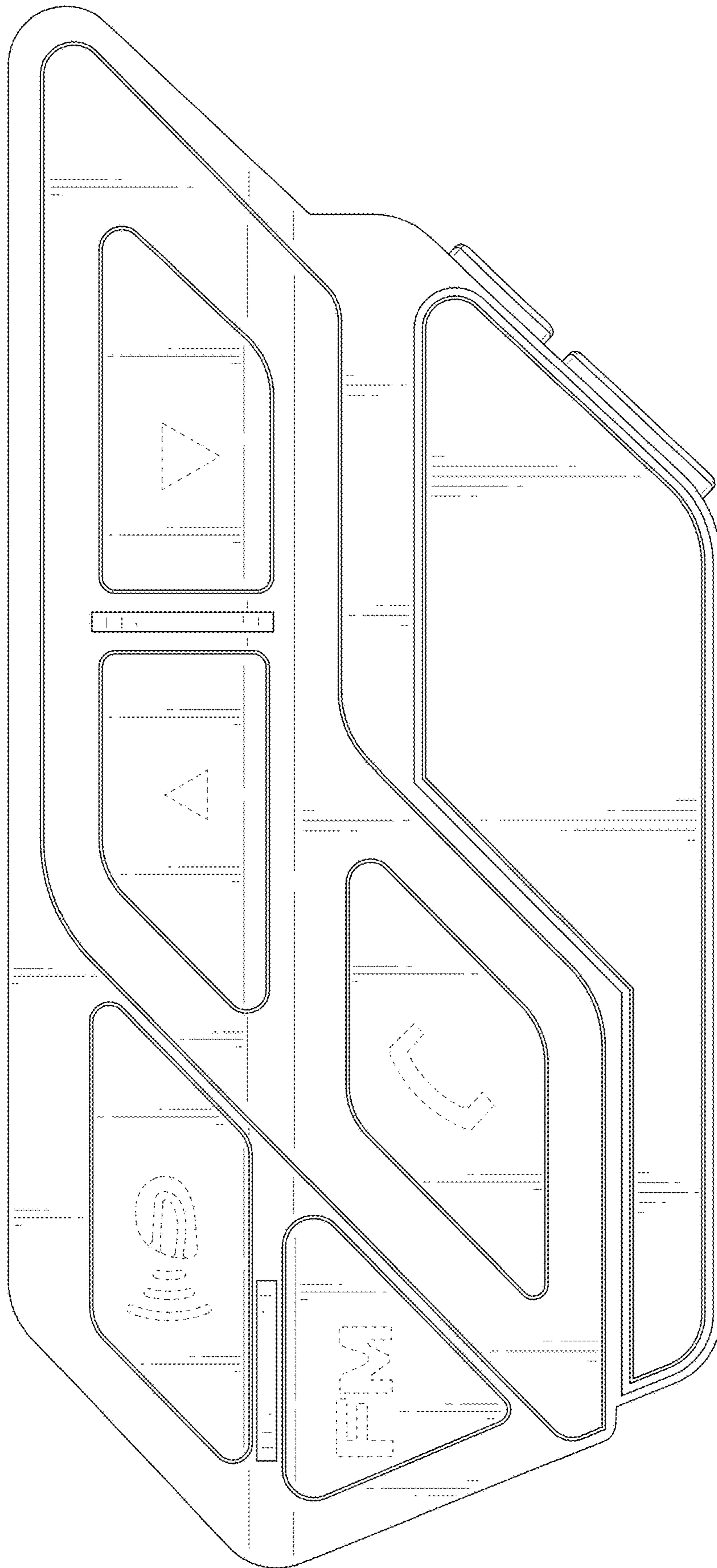


FIG. 3

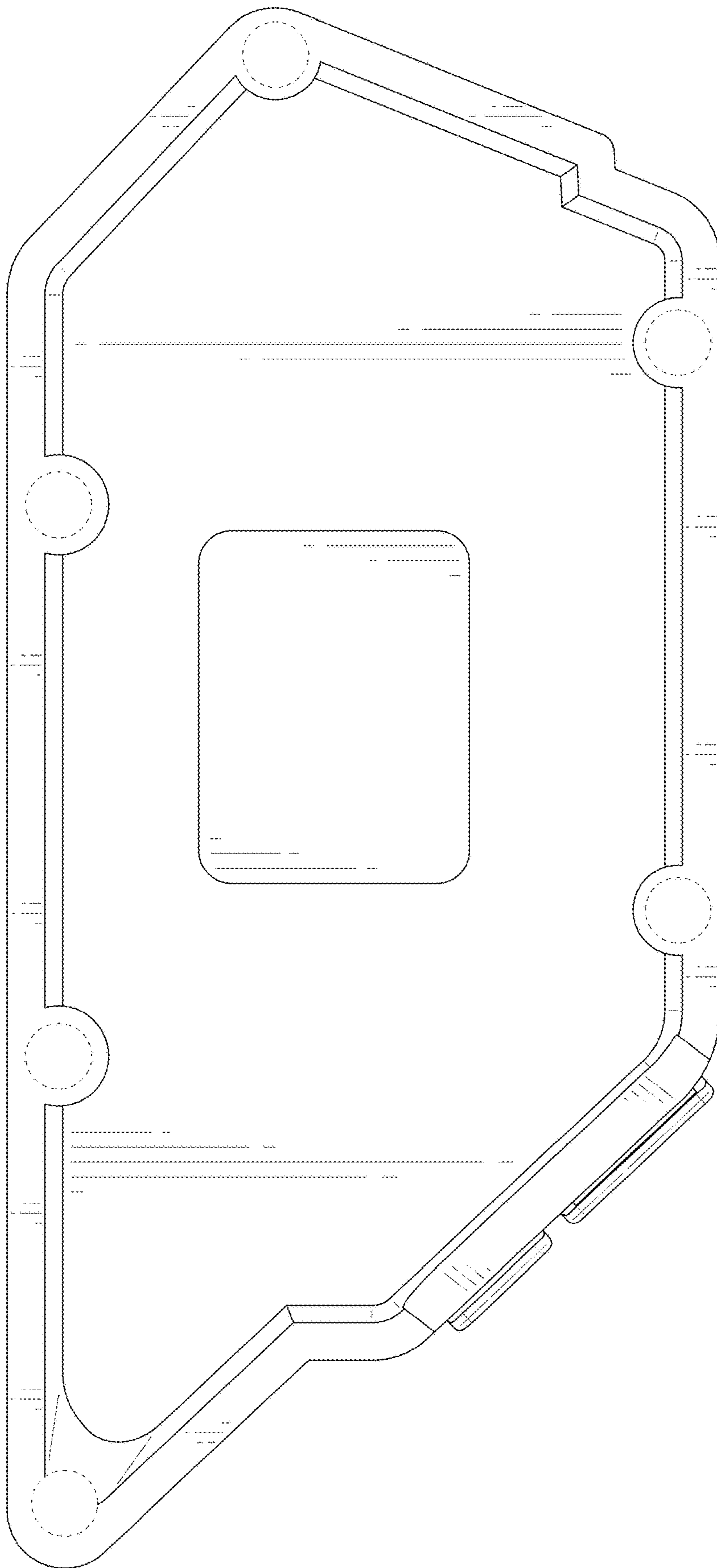


FIG. 4

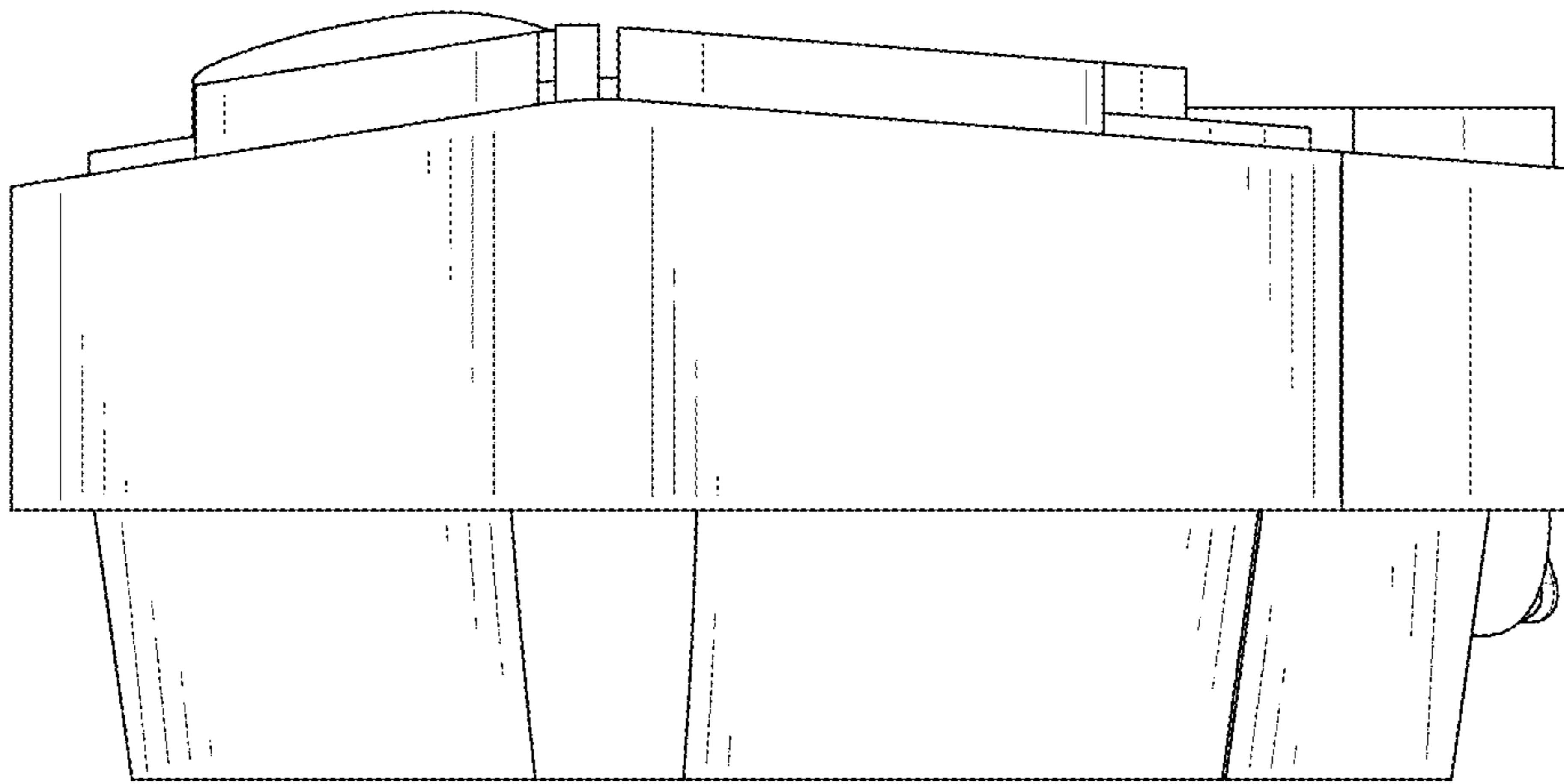


FIG. 5

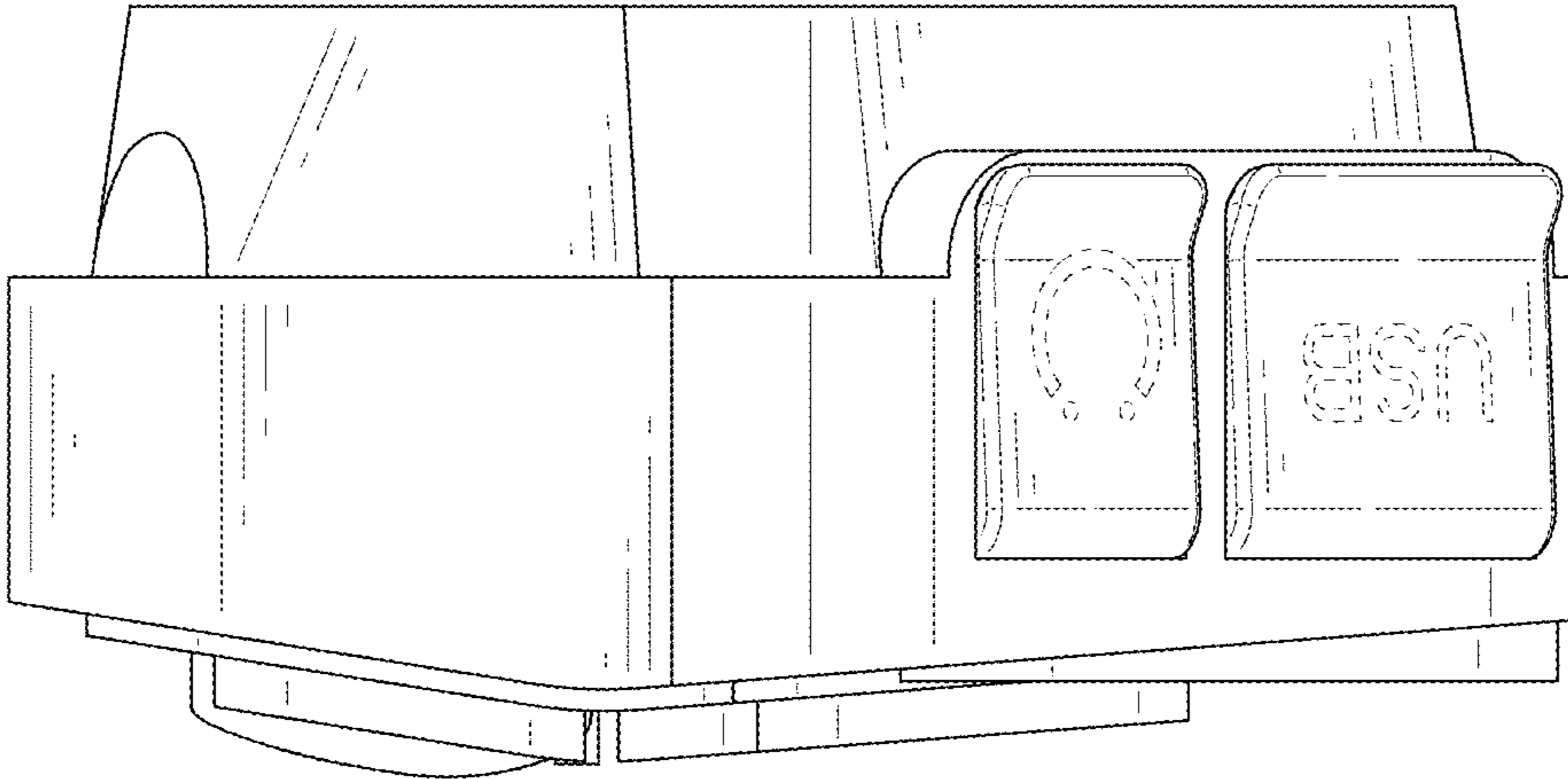


FIG. 6



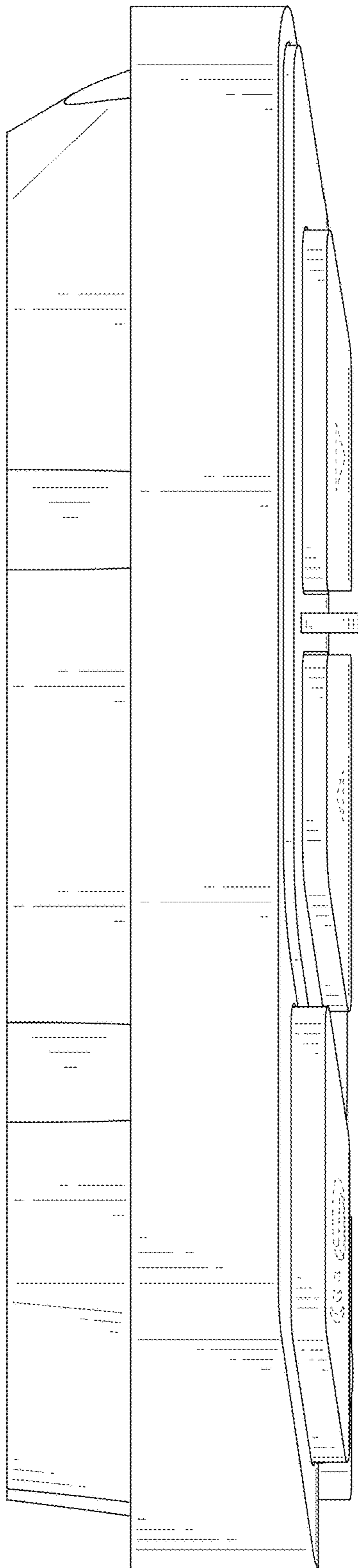


FIG. 7

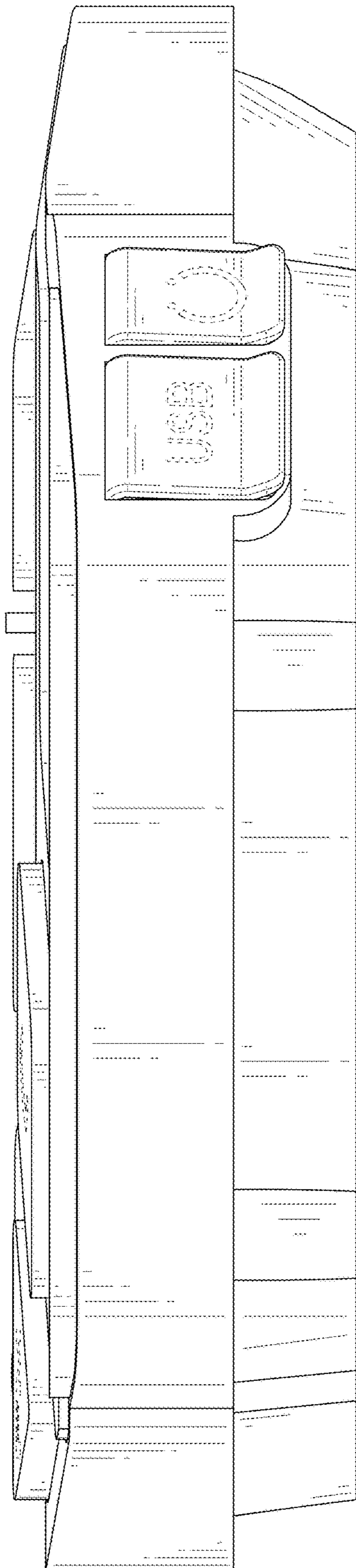


FIG. 8