



US00D951236S

(12) **United States Design Patent**
Laffon de Mazieres et al.

(10) **Patent No.:** **US D951,236 S**
(45) **Date of Patent:** **** May 10, 2022**

(54) **EARBUD**

(71) Applicant: **Amazon Technologies, Inc.**, Seattle, WA (US)

(72) Inventors: **Emmanuel Laffon de Mazieres**, San Jose, CA (US); **Marc Rene Walliser**, San Francisco, CA (US)

(73) Assignee: **Amazon Technologies, Inc.**, Seattle, WA (US)

(**) Term: **15 Years**

(21) Appl. No.: **29/818,422**

(22) Filed: **Dec. 8, 2021**

Related U.S. Application Data

(62) Division of application No. 29/785,614, filed on May 26, 2021, now Pat. No. Des. 941,278, which is a division of application No. 29/747,826, filed on Aug. 25, 2020, now Pat. No. Des. 925,497, which is a division of application No. 29/671,625, filed on Nov. 28, 2018, now Pat. No. Des. 900,064.

(51) **LOC (13) Cl.** **14-01**

(52) **U.S. Cl.**
USPC **D14/223**

(58) **Field of Classification Search**
USPC D14/223, 205; D24/174; 128/864-866; 381/380, 381; 455/90.3, 575.1, 569.1
CPC H04R 1/10; H04R 25/00; H04R 25/02; H04R 1/1066; H04R 1/1016; H04R 5/033; H04R 5/0335; H04R 1/1083; H04R 1/1058; H04R 1/1091

See application file for complete search history.

(56) **References Cited**

U.S. PATENT DOCUMENTS

D184,840 S 4/1959 Voorlas
D236,988 S 9/1975 Walters

4,249,057 A 2/1981 Schlegel et al.
D287,764 S 1/1987 Topholm
D287,765 S 1/1987 Topholm
4,672,672 A 6/1987 Eggert et al.
D295,173 S 4/1988 Oren

(Continued)

FOREIGN PATENT DOCUMENTS

CA 197842 * 10/2020
CN 304651069 5/2018

(Continued)

OTHER PUBLICATIONS

Canadian Office Action dated Oct. 2, 2020 for Canadian Design Application No. 187447, a counterpart foreign application of U.S. Pat. No. D. 900,064, 2 pages.

(Continued)

Primary Examiner — Paula Allen Greene

(74) *Attorney, Agent, or Firm* — Lee & Hayes, P.C.

(57)

CLAIM

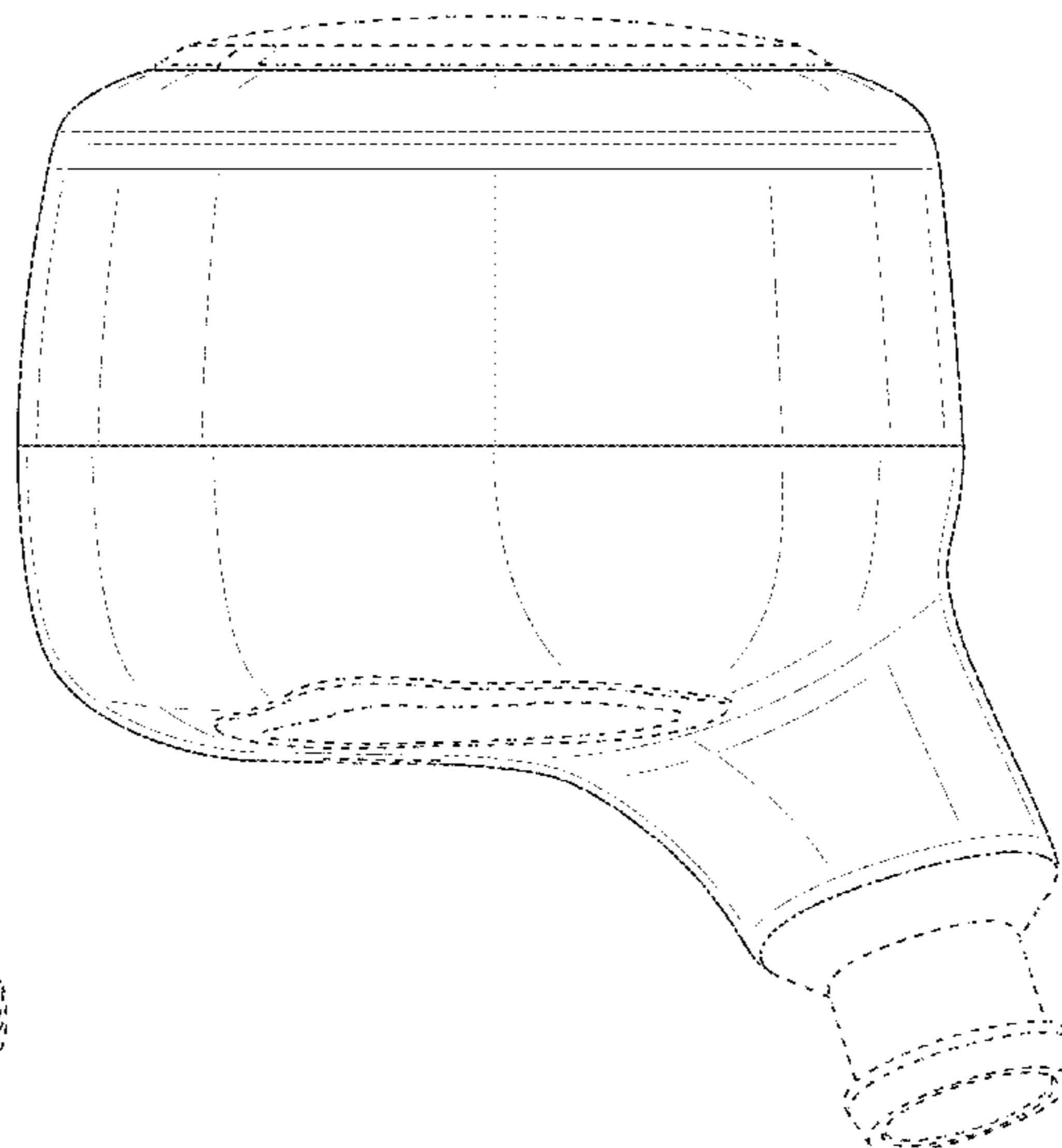
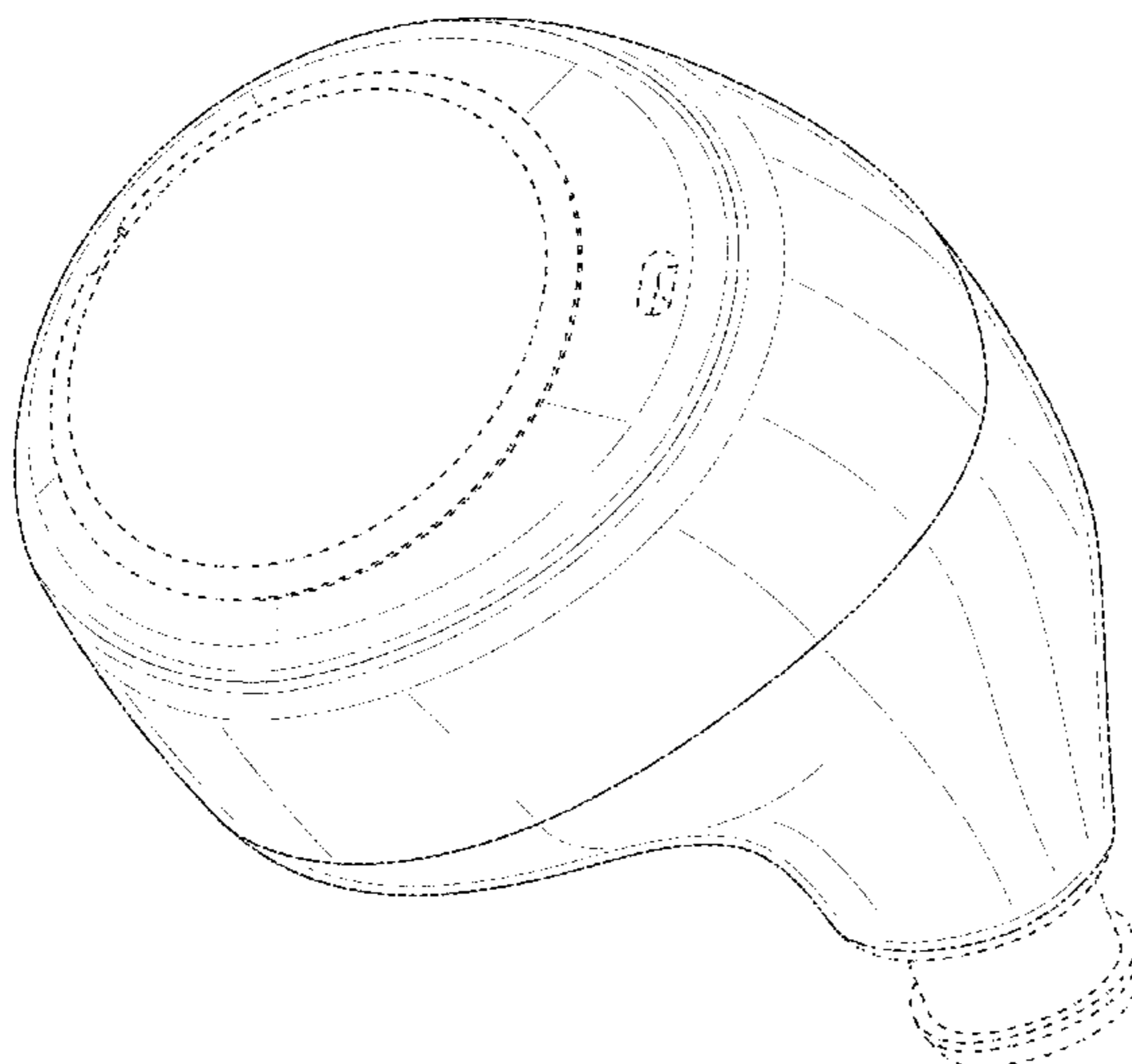
The ornamental design for an earbud, as shown and described.

DESCRIPTION

FIG. 1 is a top perspective view of an earbud. The design includes a mirror image of the embodiment depicted; FIG. 2 is a front view thereof; FIG. 3 is a back view thereof; FIG. 4 is a left-side view thereof; FIG. 5 is a right-side view thereof; FIG. 6 is a top view thereof; and, FIG. 7 is a bottom view thereof.

The dashed broken lines depict portions of the earbud that form no part of the claimed design. The dot-dashed broken lines represent boundaries of the claimed earbud and form no part of the claimed design.

1 Claim, 7 Drawing Sheets



(56)

References Cited

U.S. PATENT DOCUMENTS

D300,528 S 4/1989 Drane
 D305,022 S 12/1989 Hallgren et al.
 D321,881 S 11/1991 Hopewell
 D348,066 S 6/1994 Lucey
 D374,658 S 10/1996 Bever et al.
 D417,465 S 12/1999 Kreitz et al.
 D464,630 S 10/2002 Woodworth
 D469,411 S 1/2003 Decosse
 D477,593 S 7/2003 Komiyama
 D477,822 S 7/2003 Komiyama
 D481,709 S 11/2003 Solderits
 D505,411 S 5/2005 Sakai
 D519,108 S 4/2006 Yang
 D588,111 S 3/2009 Komiyama
 D603,380 S 11/2009 Hutchieson
 D620,884 S 8/2010 Lee et al.
 D637,999 S 5/2011 Brunner et al.
 D641,010 S 7/2011 Kwon
 D642,163 S 7/2011 Lee et al.
 D652,817 S 1/2012 Lee et al.
 D652,822 S 1/2012 Lee et al.
 D654,056 S 2/2012 Hoggarth et al.
 D666,581 S 9/2012 Perez
 8,406,448 B2 3/2013 Lin et al.
 D685,764 S 7/2013 Coulter
 8,565,466 B2 10/2013 Kuhr
 D694,182 S 11/2013 Lee et al.
 D699,226 S 2/2014 Yoon
 D711,356 S 8/2014 Yang
 D718,236 S 11/2014 Murray
 D718,744 S 12/2014 Thompson et al.
 D719,550 S 12/2014 Yang
 D725,082 S 3/2015 Palmborg et al.
 D726,145 S 4/2015 Hsieh et al.
 D727,871 S 4/2015 Orbach
 D728,107 S 4/2015 Torres Martin
 D733,102 S 6/2015 Palmborg et al.
 D733,103 S 6/2015 Jeong et al.
 D735,131 S 7/2015 Akana et al.
 D735,169 S 7/2015 Shieh
 D738,863 S 9/2015 Laffon de Mazieres et al.
 D742,861 S 11/2015 Miyake et al.
 D764,445 S 8/2016 Czaniecki
 D773,032 S 11/2016 Palmborg et al.
 D773,437 S 12/2016 Lee et al.
 D776,092 S 1/2017 Laffon de Mazieres et al.
 D777,710 S 1/2017 Palmborg et al.
 D778,267 S 2/2017 Hsieh et al.
 D781,269 S 3/2017 Choe et al.
 D782,997 S 4/2017 Shin et al.
 D782,998 S 4/2017 Shin et al.
 D788,079 S 5/2017 Son et al.
 D795,225 S 8/2017 Sumii
 D798,843 S 10/2017 Valenzuela et al.
 D800,097 S 10/2017 Chen
 D801,951 S 11/2017 Bao et al.
 D806,879 S 1/2018 Horbinski et al.
 D809,487 S 2/2018 Lee et al.
 D812,042 S 3/2018 Xiao
 D813,206 S 3/2018 Tang et al.
 D818,900 S 5/2018 Waterhouse et al.
 D824,371 S 7/2018 Loermann
 D841,627 S 2/2019 Wen
 10,234,133 B2 3/2019 Hirsch et al.
 D845,932 S 4/2019 Lu
 D847,126 S 4/2019 Loermann
 D852,782 S 7/2019 Bergman et al.
 D858,489 S 9/2019 Hu
 D863,260 S 10/2019 Zheng
 D864,167 S 10/2019 Wu
 D868,729 S 12/2019 Czaniecki
 D868,752 S 12/2019 Zhu
 D870,707 S 12/2019 Yang
 D871,376 S 12/2019 Zhou
 D873,248 S 1/2020 Weicheng et al.

D875,714 S 2/2020 Kim et al.
 D879,074 S 3/2020 Komiya et al.
 D880,457 S 4/2020 Zhu
 D883,257 S 5/2020 Duddy
 D883,261 S 5/2020 Zhang
 D883,958 S 5/2020 Liu
 D884,681 S 5/2020 Zhang
 D885,372 S 5/2020 Wang
 D887,395 S 6/2020 Wang
 D892,085 S 8/2020 Kim
 D895,580 S 9/2020 Yu
 D897,322 S 9/2020 Wei
 D899,405 S 10/2020 Vaclavik et al.
 D900,064 S 10/2020 Laffon de Mazieres et al.
 D902,892 S * 11/2020 Liu D14/223
 D903,638 S 12/2020 Li
 D906,292 S 12/2020 Wang
 D922,358 S 6/2021 Li
 D924,207 S 7/2021 Li
 D925,492 S * 7/2021 Sugiura D14/223
 D925,497 S 7/2021 Laffon de Mazieres et al.
 D927,466 S 8/2021 Zhang et al.
 D929,378 S 8/2021 Li
 D930,622 S 9/2021 Lin
 D941,275 S * 1/2022 Liu D14/223
 D941,278 S * 1/2022 Laffon de Mazieres D14/223
 D941,805 S * 1/2022 Li D14/223
 D942,423 S * 2/2022 Reimann D14/223
 2007/0263896 A1 11/2007 Chen
 2011/0293130 A1 12/2011 Huang
 2012/0114160 A1 5/2012 Lin
 2020/0186906 A1 * 6/2020 Birch H04R 1/1075
 2021/0250676 A1 * 8/2021 Kim H04R 1/1025
 2021/0289280 A1 * 9/2021 Ko H04R 9/063

FOREIGN PATENT DOCUMENTS

CN 304699287 6/2018
 CN 304731742 7/2018
 CN 30503654 3/2019
 CN 305485217 12/2019
 CN 305595436 2/2020
 CN 305774632 5/2020
 CN 305938588 7/2020
 CN 306531206 5/2021
 EM 004170959-0001 8/2017
 EM 004360519-0001 10/2017
 EM 004556629-0001 1/2018
 EM 001474134 9/2019
 EM 006810230 9/2019
 EM 007341722-0002 12/2019
 GB 614033 5/2021
 IN 317708-001-0001 * 5/2019
 IN 351461-001-0001 * 10/2019
 JP D1693798 8/2021
 TW 214374-0001 * 10/2019
 WO D213261-001 * 3/2021

OTHER PUBLICATIONS

Canadian Office Action dated Mar. 25, 2021 for Canadian Patent Application No. 187447, a counterpart foreign application of U.S. Pat. No. D. 900,064, 1 page.
 Canadian Office Action dated Apr. 20, 2020 for Canadian Patent Application No. 187447, a counterpart of U.S. Appl. No. 29/671,625, 3 pages.
 Chinese Office Action dated Oct. 9, 2019 for Chinese Design Application No. 201930257281.2, a counter part of Design U.S. Appl. No. 29/671,625, 1 pages.
 Indian Office Action dated Jun. 21, 2019 for Indian Patent Application No. 317708-001, a counter part of U.S. Appl. No. 29/671,625, 2 pages.
 Office Action for U.S. Appl. No. 29/671,625, dated Mar. 13, 2020, Mazieres, "EARBUD", 6 Pages.

* cited by examiner

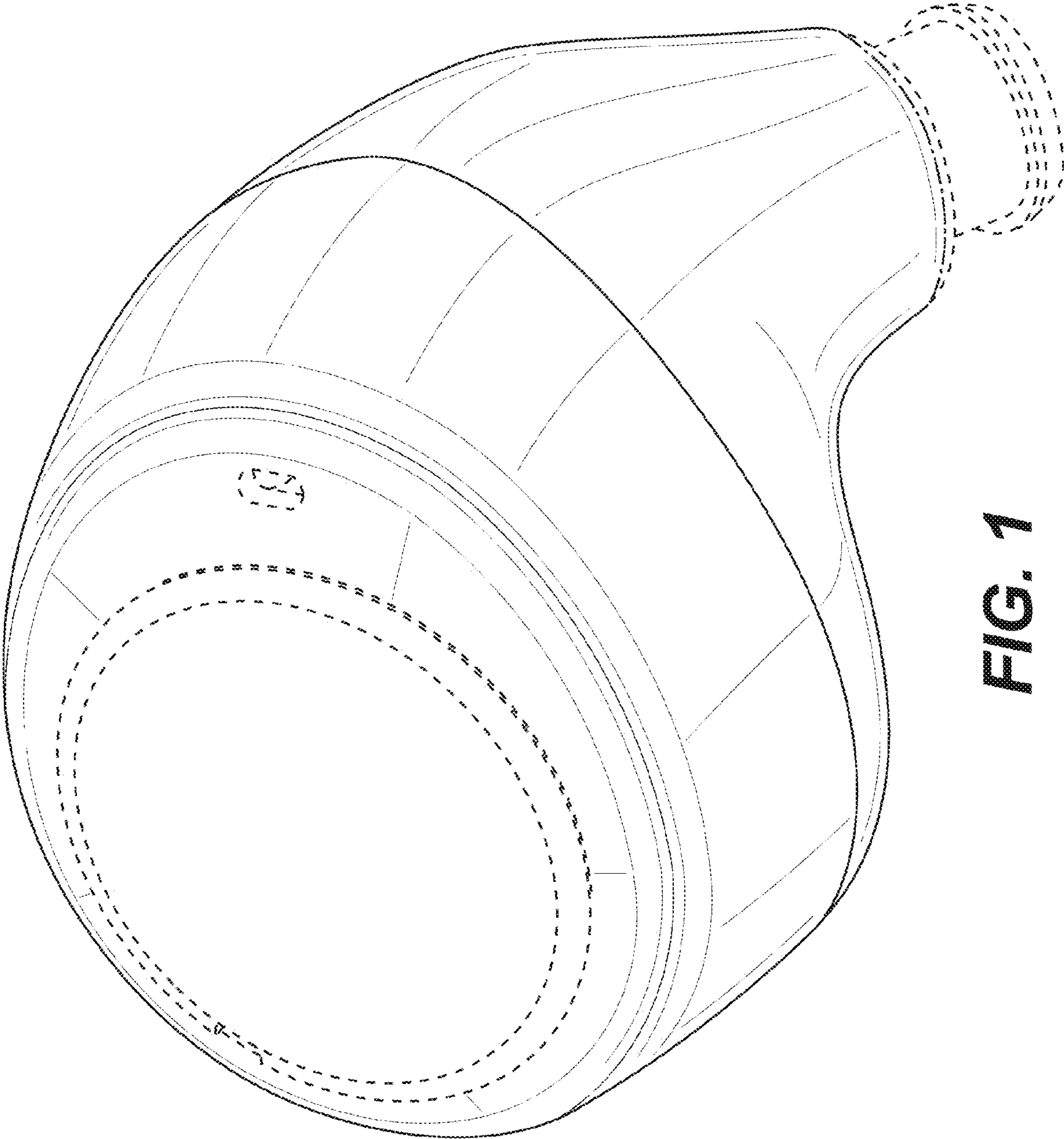


FIG. 1

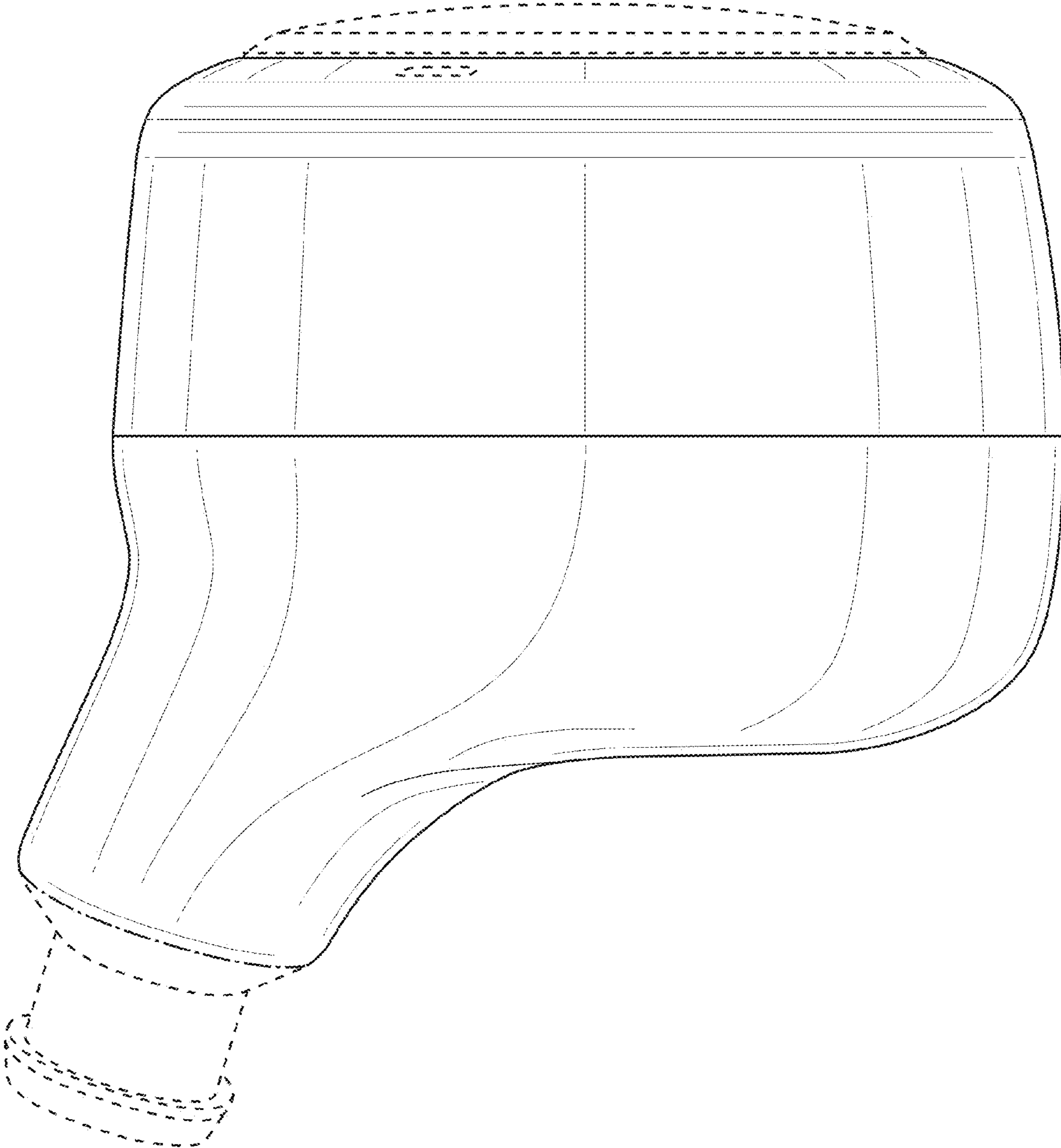


FIG. 2

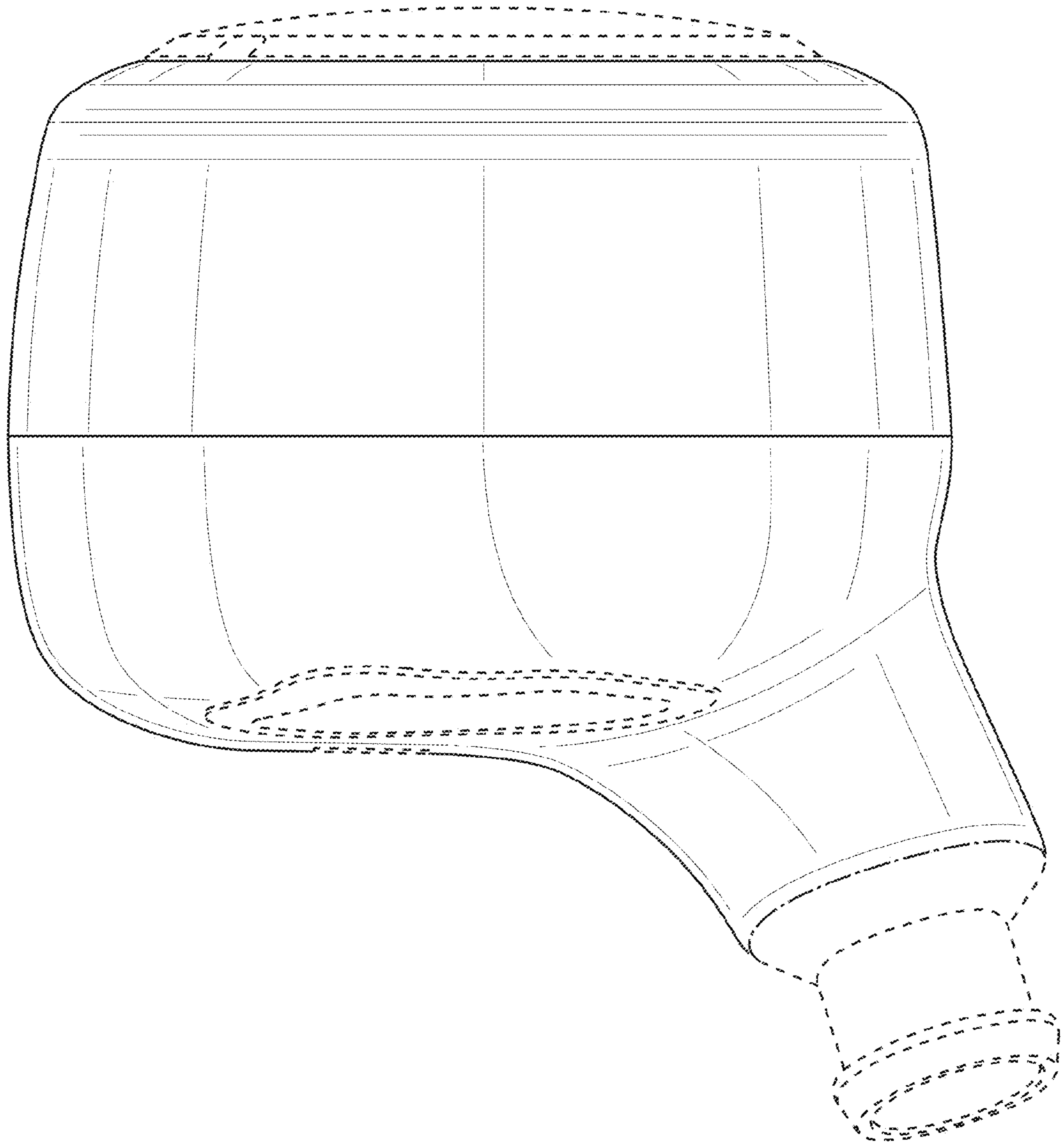


FIG. 3

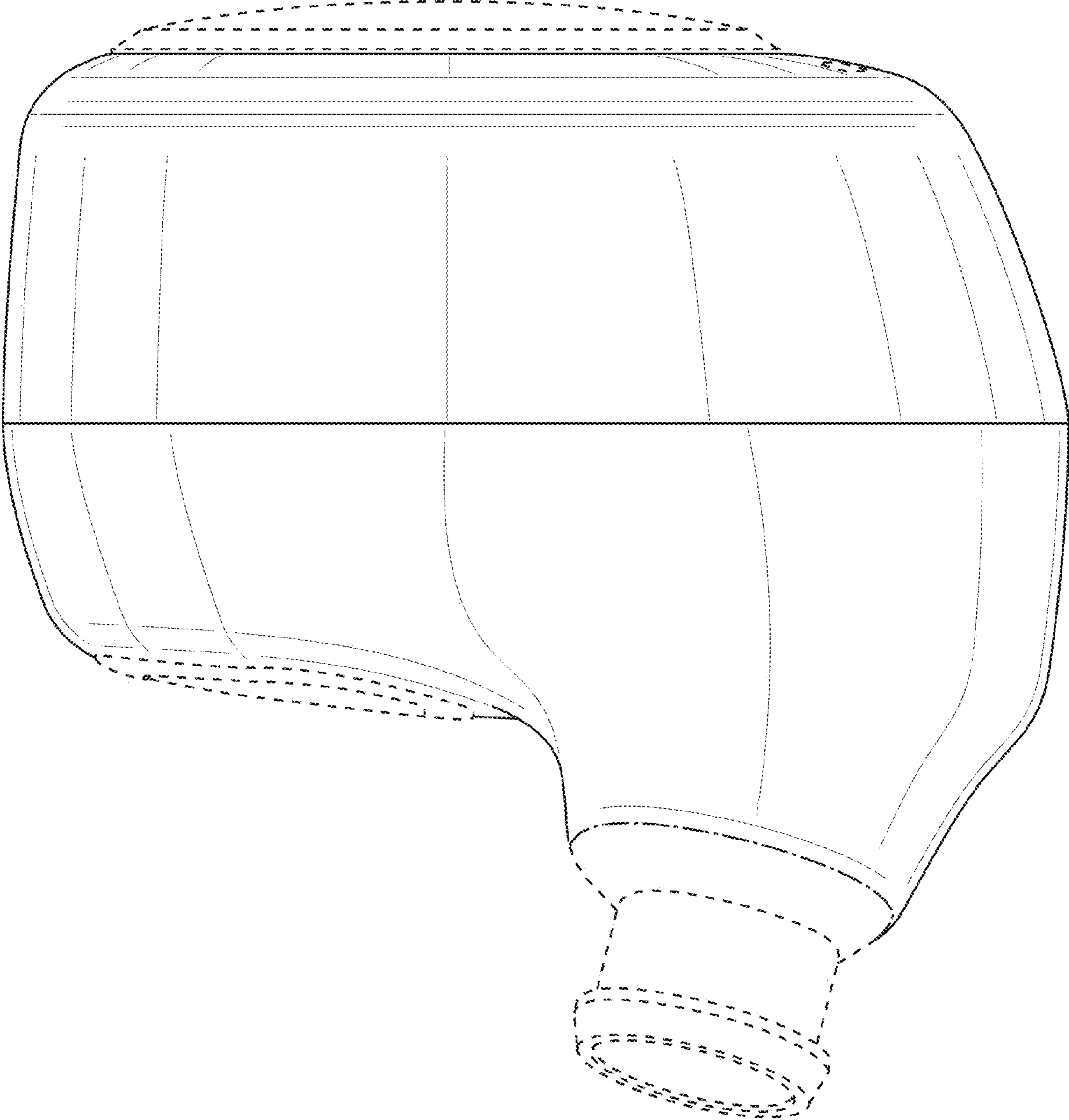


FIG. 4

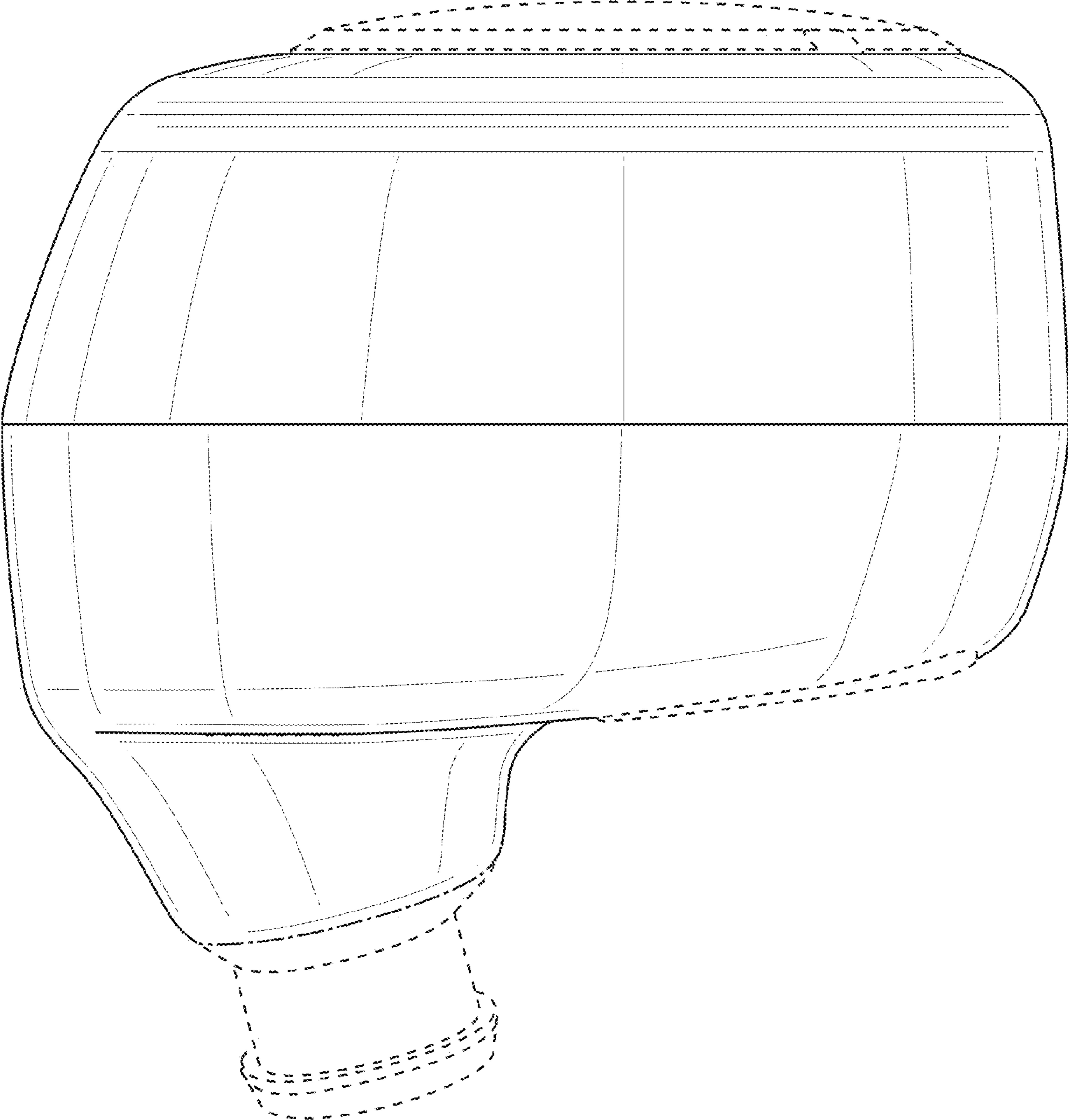


FIG. 5

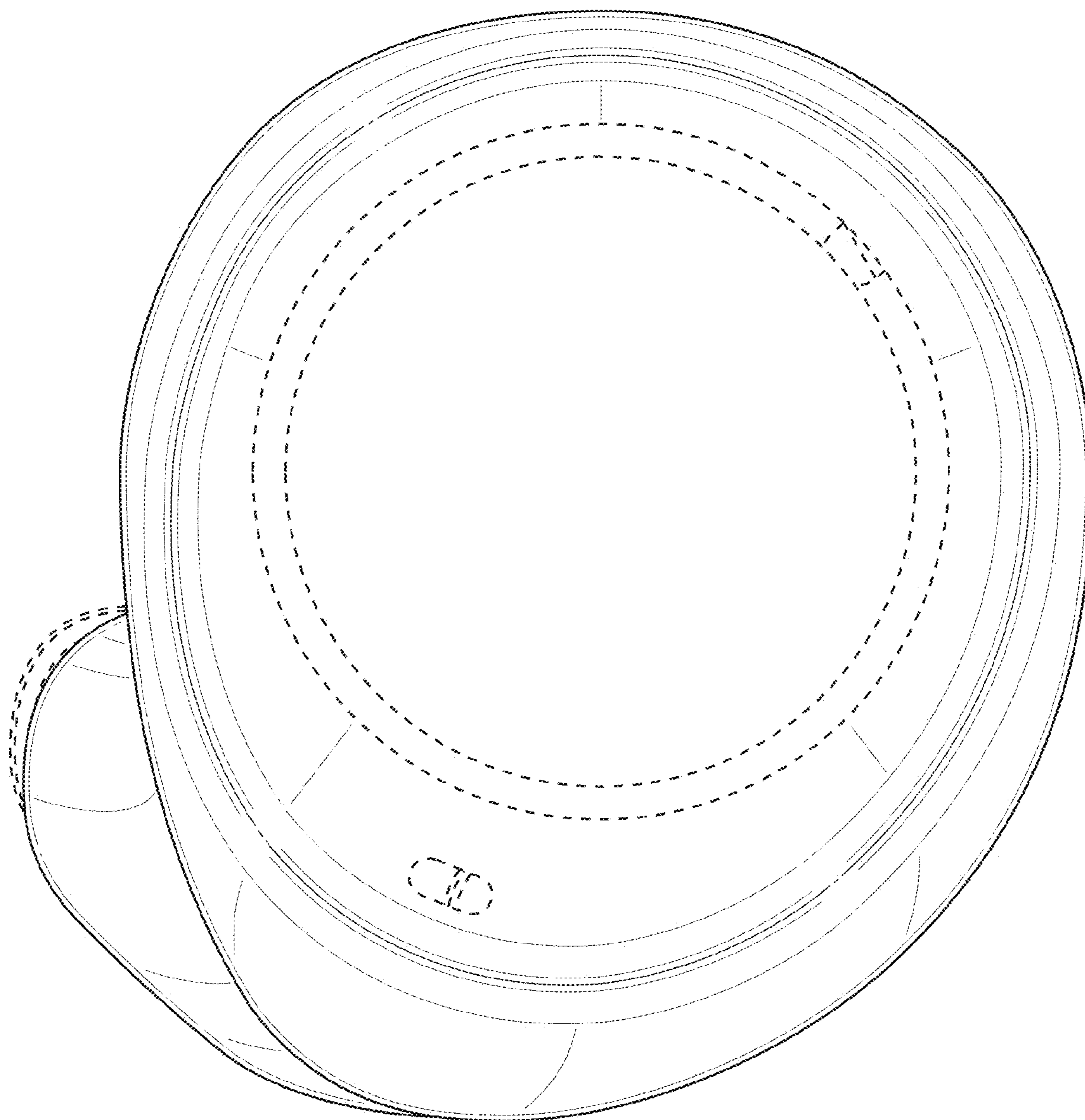


FIG. 6

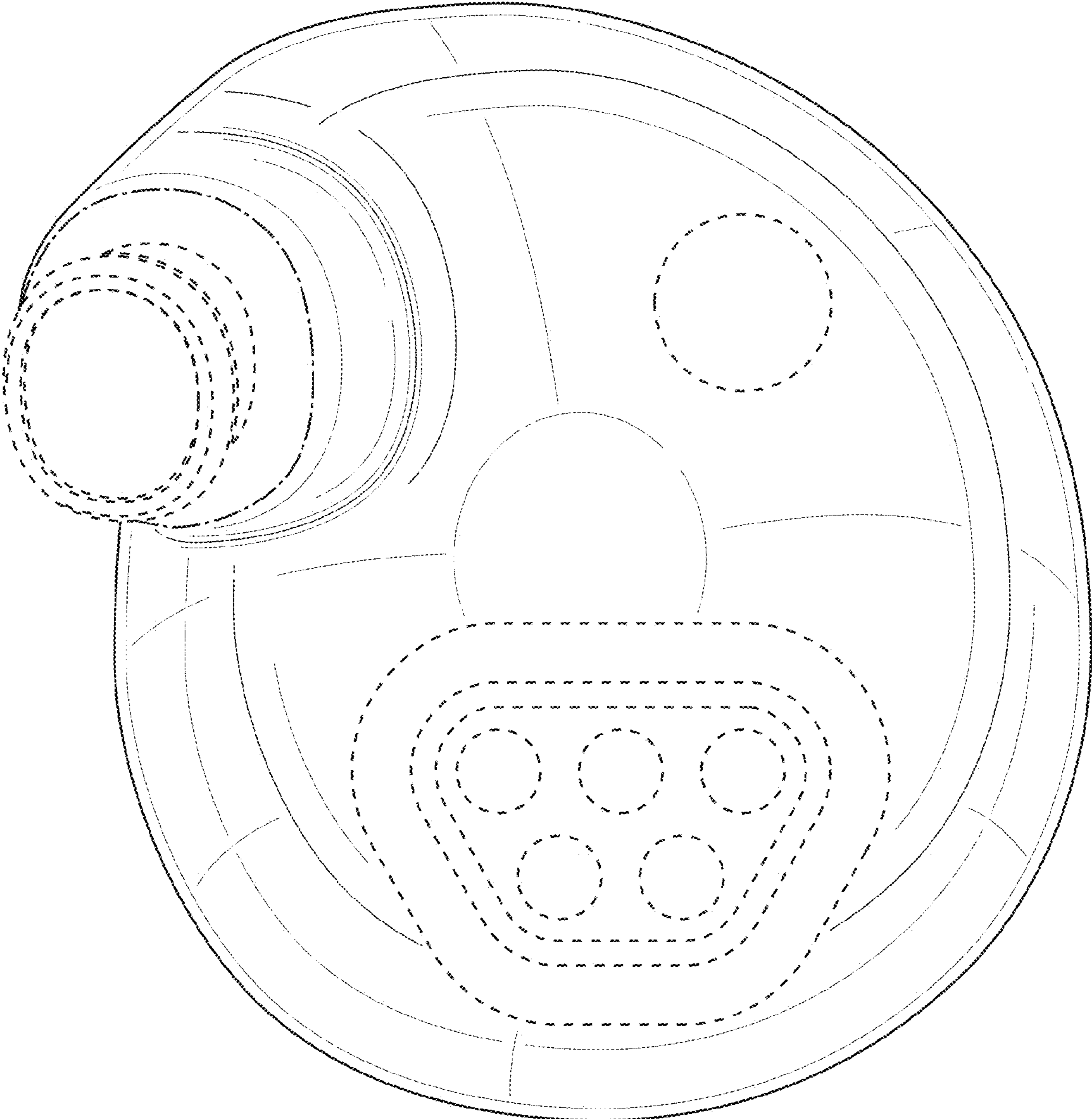


FIG. 7