



US00D951235S

(12) **United States Design Patent** (10) **Patent No.:** **US D951,235 S**
Akana et al. (45) **Date of Patent:** **** May 10, 2022**

(54) **EARPHONE**

(71) Applicant: **Apple Inc.**, Cupertino, CA (US)

(72) Inventors: **Jody Akana**, San Francisco, CA (US); **Bartley K. Andre**, Palo Alto, CA (US); **Jeremy Bataillou**, San Francisco, CA (US); **Daniel J. Coster**, San Francisco, CA (US); **Daniele De Iuliis**, San Francisco, CA (US); **M. Evans Hankey**, San Francisco, CA (US); **Julian Hoenig**, San Francisco, CA (US); **Richard P. Howarth**, San Francisco, CA (US); **Jonathan P. Ive**, San Francisco, CA (US); **Duncan Robert Kerr**, San Francisco, CA (US); **Shin Nishibori**, Kailua, HI (US); **Matthew Dean Rohrbach**, San Francisco, CA (US); **Peter Russell-Clarke**, San Francisco, CA (US); **Christopher J. Stringer**, Woodside, CA (US); **Eugene Antony Whang**, San Francisco, CA (US); **Rico Zörkendörfer**, San Francisco, CA (US)

(73) Assignee: **Apple Inc.**, Cupertino, CA (US)

(**) Term: **15 Years**

(21) Appl. No.: **29/805,803**

(22) Filed: **Aug. 30, 2021**

Related U.S. Application Data

(63) Continuation of application No. 29/777,088, filed on Apr. 2, 2021, now Pat. No. Des. 929,377, which is a (Continued)

(51) **LOC (13) Cl.** **14-01**

(52) **U.S. Cl.**
USPC **D14/223**

(58) **Field of Classification Search**

USPC D14/223, 205; D24/174; 128/864, 865, 128/866; 381/380, 381, 370, 74; 455/90.3, 575.1, 569.1

(Continued)

(56) **References Cited**

U.S. PATENT DOCUMENTS

4,532,649 A 7/1985 Bellafore
4,672,672 A 6/1987 Eggert et al.

(Continued)

FOREIGN PATENT DOCUMENTS

CN 305734354 * 4/2020
CN 306161843 * 11/2020

(Continued)

OTHER PUBLICATIONS

IBlink WLP3 Earbuds—100Hz-10kHz, Noise Isolation, 3.5mm Jack, LED Light (Pink), White, TigerDirect.com, http://www.tigerdirect.com/applications/SearchTools/item-details.asp?EdpNo=3988300&csid=_61; 4 pages.

(Continued)

Primary Examiner — Paula Allen Greene

(74) *Attorney, Agent, or Firm* — Sterne, Kessler, Goldstein & Fox P.L.L.C.

(57) **CLAIM**

The ornamental design for an earphone, as shown and described.

DESCRIPTION

FIG. 1 is a front perspective view of an earphone showing the claimed design;
FIG. 2 is a rear perspective view thereof;
FIG. 3 is a front view thereof;
FIG. 4 is a rear view thereof;
FIG. 5 is a right side view thereof;
FIG. 6 is a left side view thereof;

(Continued)

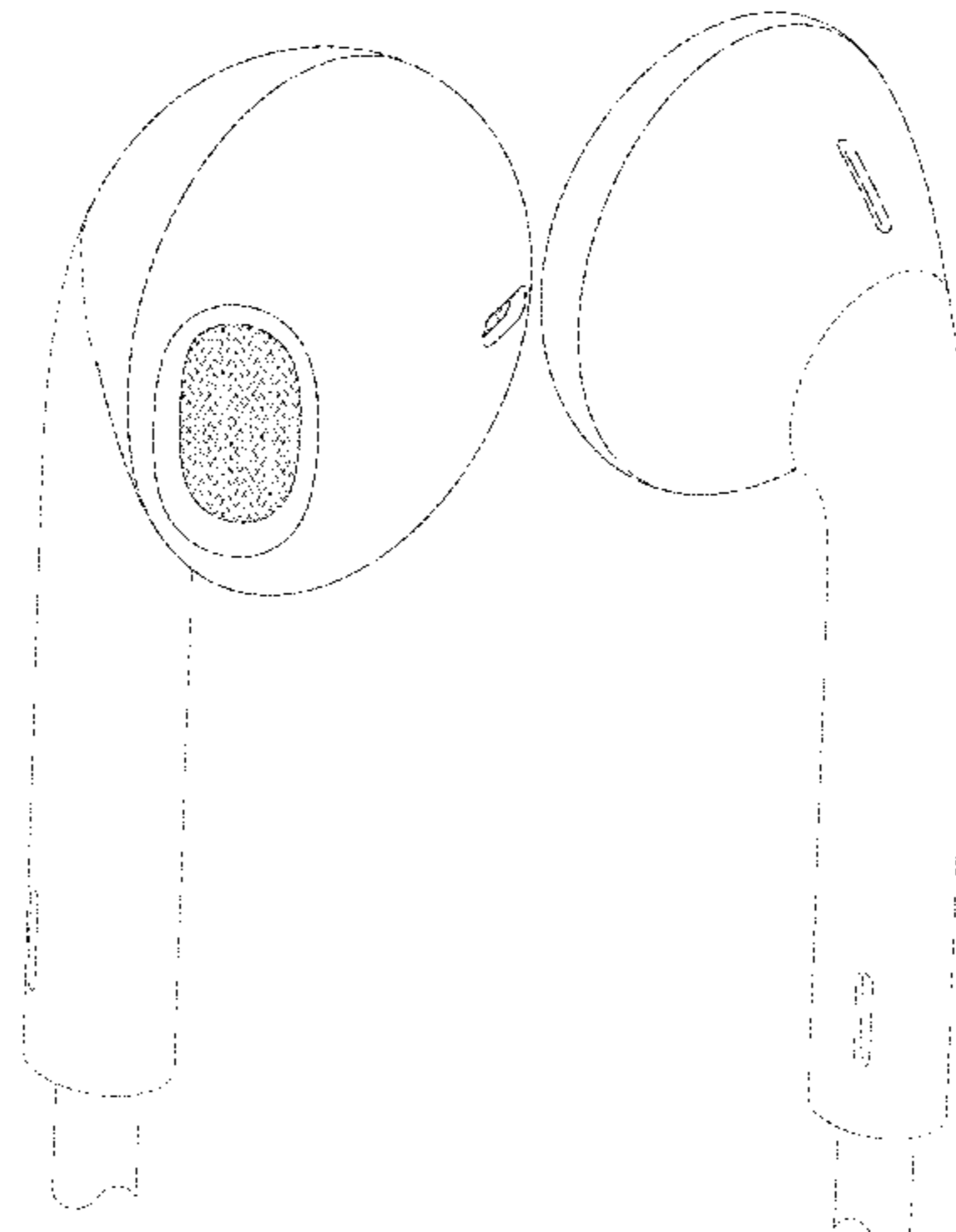


FIG. 7 is a top view thereof; and,
 FIG. 8 is a bottom view thereof.
 The dashed broken lines in the Figures show portions of the earphone that form no part of the claimed design. The dot-dash broken lines in the Figures show boundaries that form no part of the claimed design.

1 Claim, 5 Drawing Sheets

Related U.S. Application Data

continuation of application No. 29/713,433, filed on Nov. 15, 2019, now Pat. No. Des. 915,354, which is a continuation of application No. 29/581,784, filed on Oct. 21, 2016, now Pat. No. Des. 867,325, which is a continuation of application No. 29/530,281, filed on Jun. 15, 2015, now Pat. No. Des. 769,849, which is a continuation of application No. 29/493,749, filed on Jun. 12, 2014, now Pat. No. Des. 732,008, which is a continuation of application No. 29/453,449, filed on Apr. 29, 2013, now Pat. No. Des. 707,206, which is a continuation of application No. 29/431,563, filed on Sep. 8, 2012, now Pat. No. Des. 681,015.

(58) **Field of Classification Search**

CPC H04R 1/10; H04R 25/00; H04R 25/02;
 H04R 1/105; H04R 1/1066; H04R
 1/1016; H04R 5/033; H04R 5/0335;
 H04R 1/1091; H04R 1/20; H04R 1/1083
 See application file for complete search history.

(56) **References Cited**

U.S. PATENT DOCUMENTS

| | | | |
|-----------|----|---------|------------------|
| 4,736,430 | A | 4/1988 | Schroder |
| 4,965,838 | A | 10/1990 | Kamon et al. |
| D337,118 | S | 7/1993 | Seikita |
| D353,379 | S | 12/1994 | Nakamura et al. |
| 6,122,369 | A | 9/2000 | Hwang et al. |
| D469,753 | S | 2/2003 | Andre et al. |
| 6,690,807 | B1 | 2/2004 | Meyer |
| 6,731,772 | B1 | 5/2004 | Byun |
| D505,132 | S | 5/2005 | Linville et al. |
| D506,744 | S | 6/2005 | Andre et al. |
| D515,070 | S | 2/2006 | Andre et al. |
| D523,846 | S | 6/2006 | Lee |
| D533,868 | S | 12/2006 | Koizumi |
| D554,109 | S | 10/2007 | Ledbetter et al. |
| D566,687 | S | 4/2008 | Duarte et al. |
| D568,291 | S | 5/2008 | Andre et al. |
| D573,977 | S | 7/2008 | Ledbetter et al. |
| D575,269 | S | 8/2008 | Ledbetter et al. |
| D578,518 | S | 10/2008 | Ewert |
| D579,923 | S | 11/2008 | Andre et al. |
| D587,677 | S | 3/2009 | Andre et al. |
| D589,491 | S | 3/2009 | Andre et al. |
| D589,498 | S | 3/2009 | Komiyama |
| D590,375 | S | 4/2009 | Komiyama |
| D593,537 | S | 6/2009 | Arimoto |
| D596,616 | S | 7/2009 | Andre et al. |
| D599,330 | S | 9/2009 | Andre et al. |
| D616,874 | S | 6/2010 | Matsuoka |
| D618,209 | S | 6/2010 | Andre et al. |
| D618,210 | S | 6/2010 | Andre et al. |
| D618,219 | S | 6/2010 | Burgett et al. |
| D622,265 | S | 8/2010 | Rye |
| D626,948 | S | 11/2010 | Nault |

| | | | |
|--------------|------|---------|----------------------------------|
| D627,766 | S | 11/2010 | Arimoto |
| D628,193 | S | 11/2010 | Zheng |
| D633,086 | S | 2/2011 | Chen |
| D639,279 | S | 6/2011 | Andre et al. |
| D652,823 | S | 1/2012 | Chen |
| D656,481 | S | 3/2012 | McManigal |
| D662,493 | S | 6/2012 | Chen |
| D662,495 | S | 6/2012 | Andre et al. |
| D664,523 | S | 7/2012 | Naitou |
| D666,580 | S | 9/2012 | Lee et al. |
| D669,058 | S | 10/2012 | Lee et al. |
| D669,453 | S | 10/2012 | Katsuraku et al. |
| D675,194 | S | 1/2013 | Andre et al. |
| 8,345,912 | B2 | 1/2013 | Akihiko et al. |
| D676,427 | S | 2/2013 | Yang |
| 8,391,533 | B2 | 3/2013 | Sim et al. |
| D681,015 | S | 4/2013 | Akana et al. |
| D687,419 | S | 8/2013 | Andre et al. |
| D691,594 | S | 10/2013 | Akana et al. |
| D694,249 | S | 11/2013 | Akana et al. |
| D706,643 | S | 6/2014 | Akana et al. |
| D707,206 | S | 6/2014 | Akana et al. |
| D712,279 | S | 9/2014 | Akana et al. |
| D732,008 | S | 6/2015 | Akana et al. |
| D769,849 | S | 10/2016 | Akana et al. |
| D830,345 | S * | 10/2018 | Cai D14/223 |
| D867,325 | S | 11/2019 | Akana et al. |
| D878,045 | S * | 3/2020 | Akana D3/274 |
| D885,373 | S * | 5/2020 | Lundback D14/223 |
| D896,788 | S * | 9/2020 | Akana D14/223 |
| D907,010 | S * | 1/2021 | Akana D14/223 |
| D910,601 | S * | 2/2021 | Hu D14/223 |
| D914,645 | S * | 3/2021 | Akana H04R 1/10 D14/223 |
| D914,652 | S * | 3/2021 | Chen D14/223 |
| D915,354 | S | 4/2021 | Akana et al. |
| D915,355 | S * | 4/2021 | Xiang D14/223 |
| D918,179 | S * | 5/2021 | Zhao D14/223 |
| 10,996,047 | B2 * | 5/2021 | Barr G01B 11/02 |
| D924,851 | S * | 7/2021 | Li D14/223 |
| D925,500 | S * | 7/2021 | Chen D14/223 |
| D929,374 | S * | 8/2021 | Akana D14/223 |
| D929,376 | S * | 8/2021 | Akana D14/223 |
| D929,377 | S | 8/2021 | Akana et al. |
| D929,969 | S * | 9/2021 | Ding D14/223 |
| D931,838 | S * | 9/2021 | Deng D14/223 |
| D932,468 | S * | 10/2021 | Xin D14/223 |
| D934,204 | S * | 10/2021 | Liao D14/223 |
| D936,637 | S * | 11/2021 | Lai D14/223 |
| 2012/0155692 | A1 | 6/2012 | Chen |
| 2012/0237074 | A1 | 9/2012 | Aase |
| 2013/0004011 | A1 | 1/2013 | Hayashida et al. |
| 2013/0343595 | A1 | 12/2013 | Zorkendorfer et al. |
| 2018/0077481 | A1 * | 3/2018 | Kim H04R 1/1016 |
| 2019/0373354 | A1 * | 12/2019 | Sondergaard H04R 1/1016 |
| 2020/0107098 | A1 * | 4/2020 | DiFonzo H01F 41/0246 |
| 2020/0275182 | A1 * | 8/2020 | Ettensberger H04R 1/1016 |
| 2021/0013917 | A1 * | 1/2021 | McGaughey H01Q 19/30 |

FOREIGN PATENT DOCUMENTS

| | | | |
|----|-----------------|---|---------|
| CN | 306928378 | * | 11/2021 |
| CN | 306978922 | * | 12/2021 |
| EM | 008534861-0001 | * | 5/2021 |
| EM | 008756274-0001 | * | 11/2021 |
| GB | 9007699483-0002 | * | 2/2020 |

OTHER PUBLICATIONS

Philips SHE2650/37 In-Ear Earbuds with Twin Vents, ShoppingNexus.com, <http://www.shoppingnexus.com/electronics/pr/philips-she265037-in-ear-earbuds-withtwin-vents1.html>; 1 page.

* cited by examiner

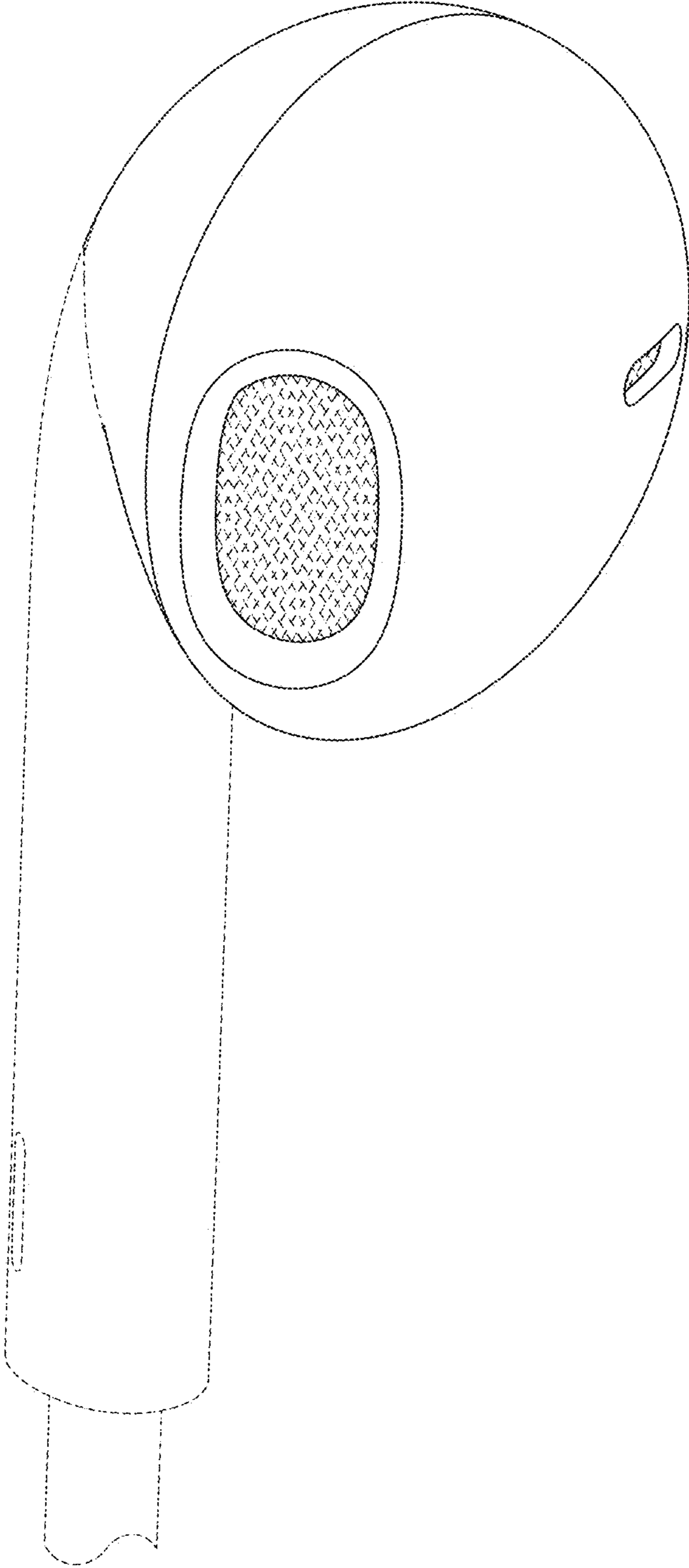


FIG. 1

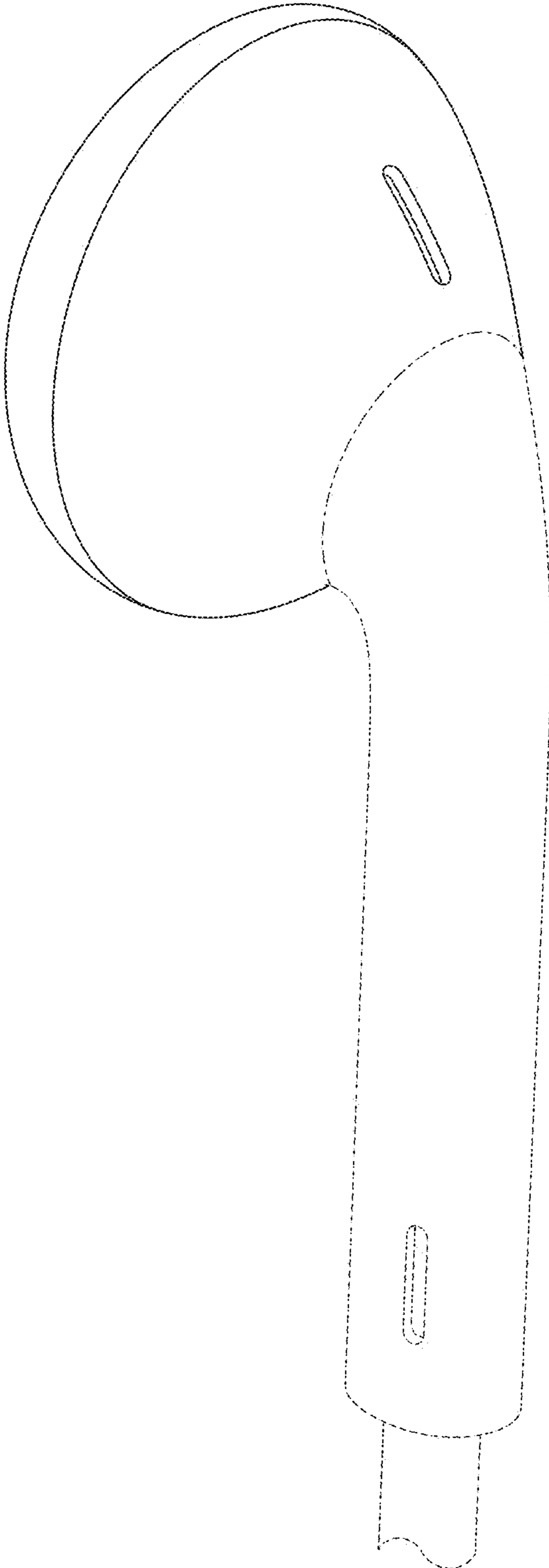


FIG. 2

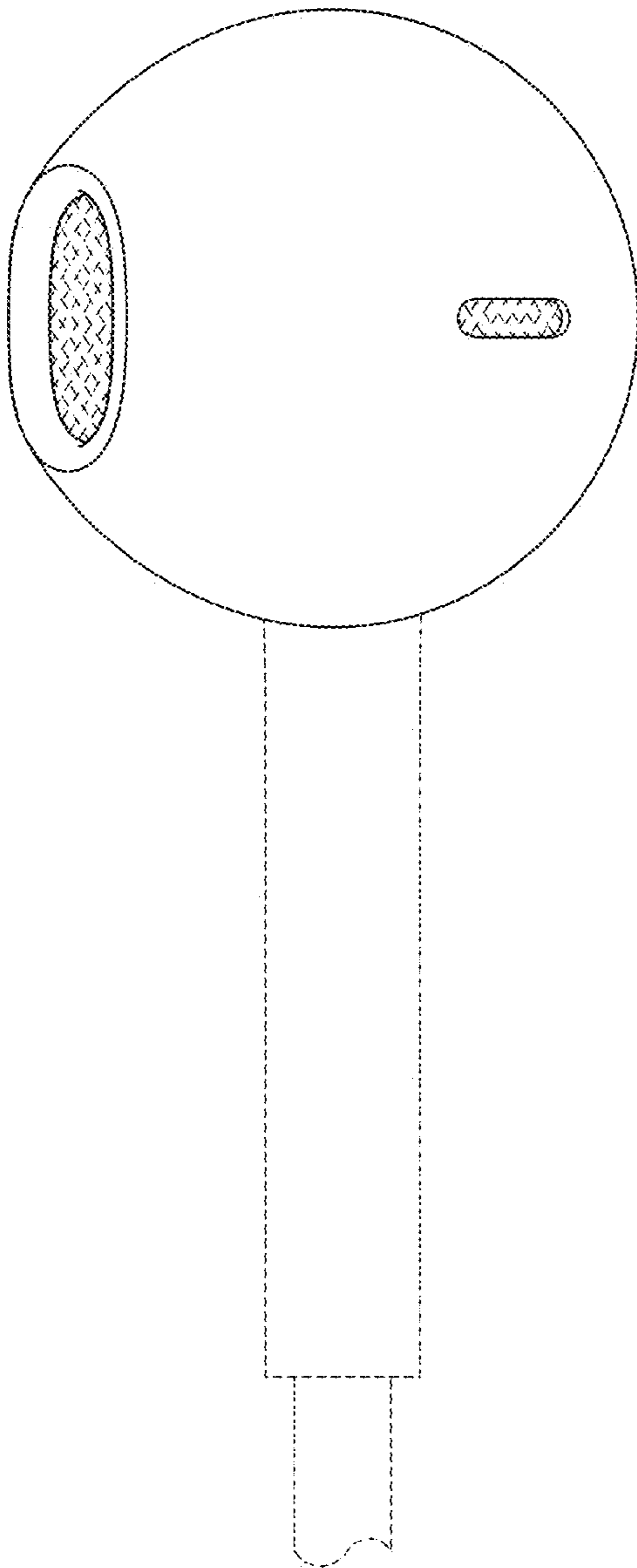


FIG. 3

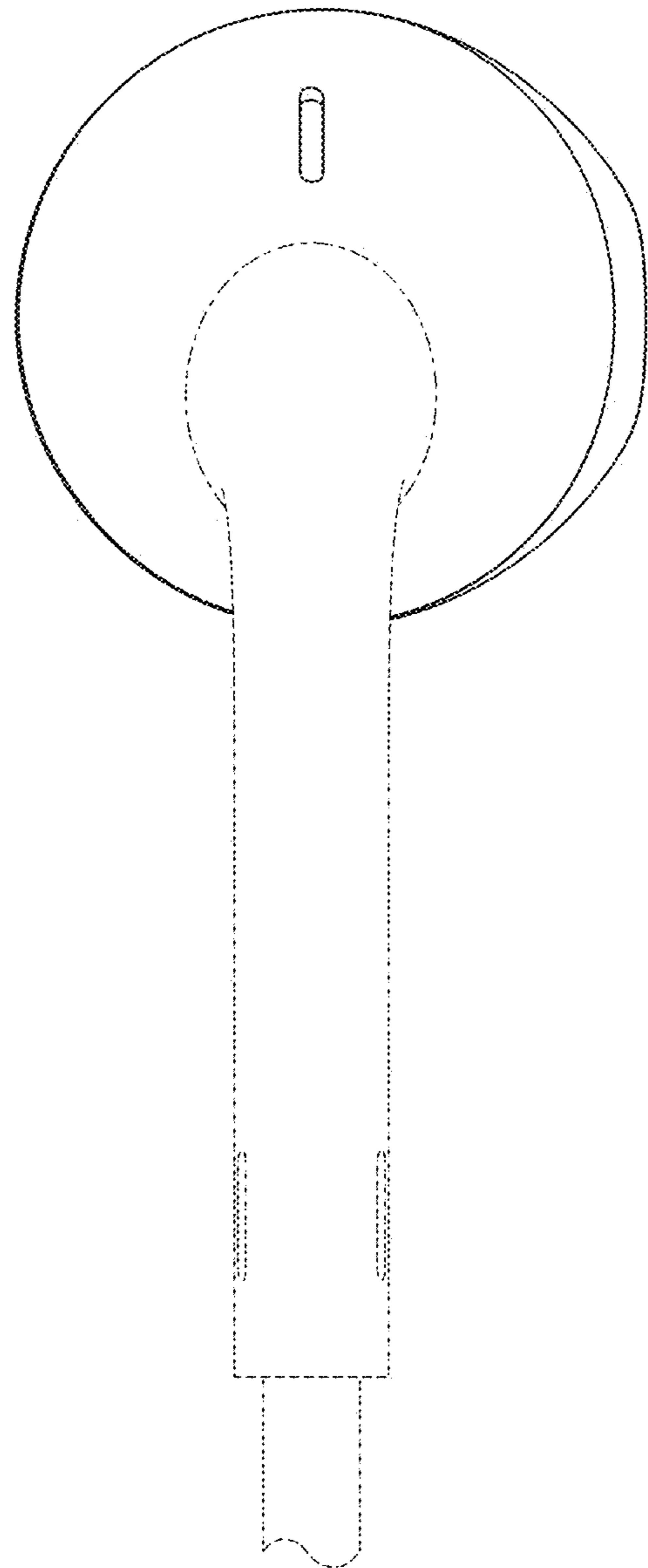


FIG. 4

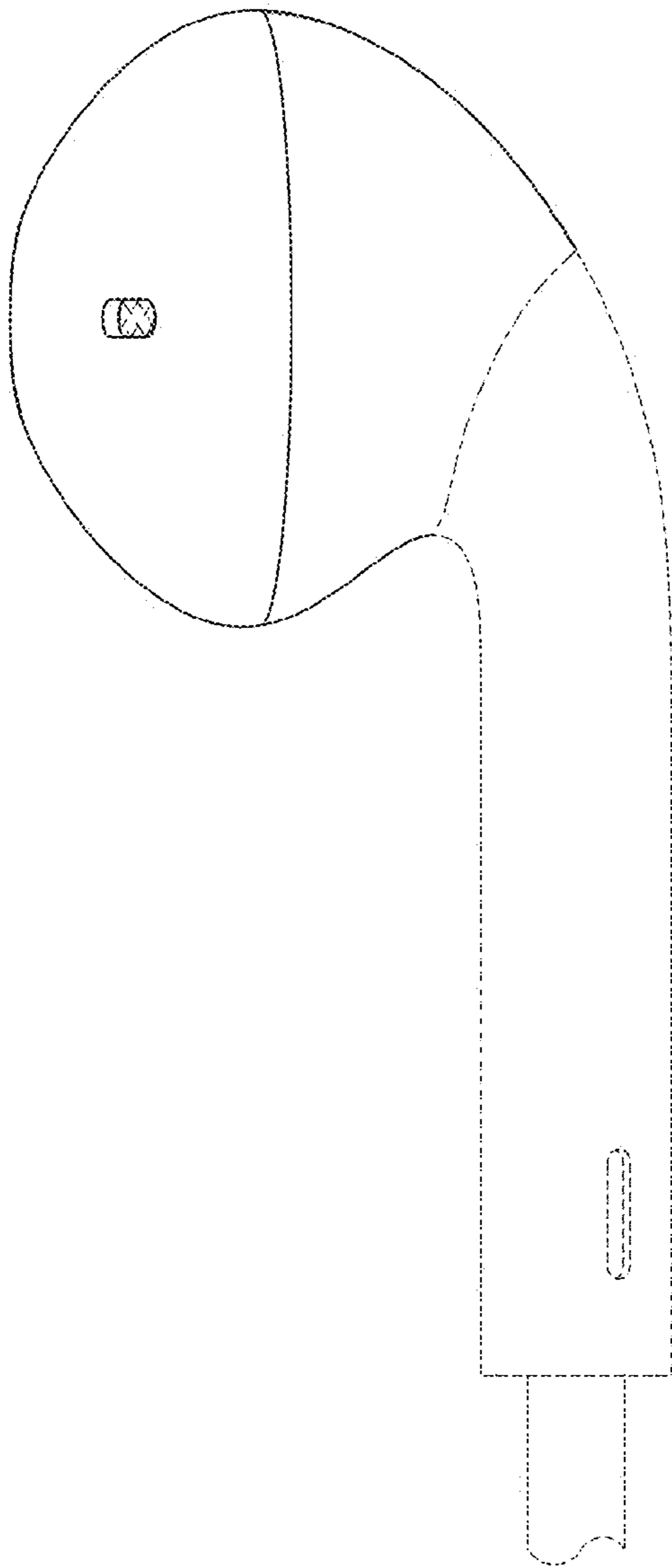


FIG. 5

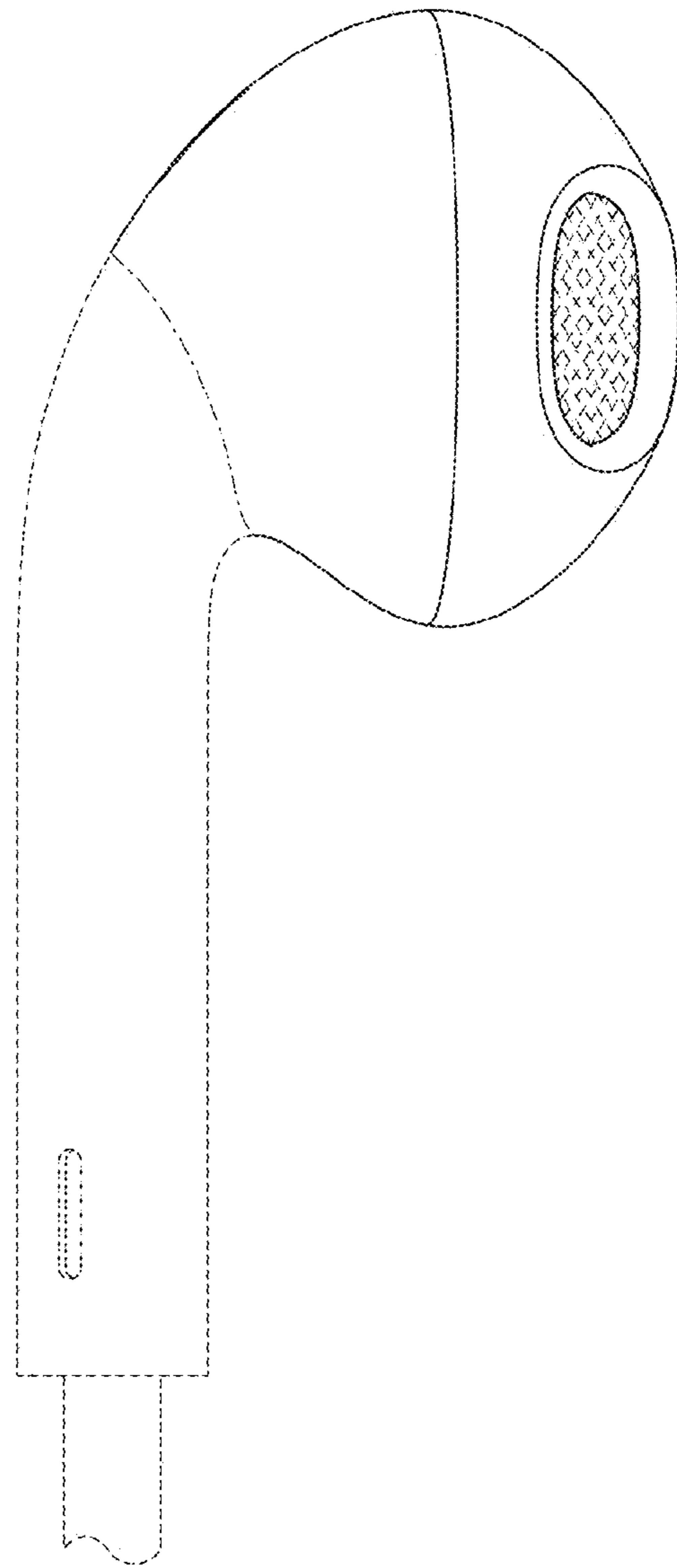


FIG. 6

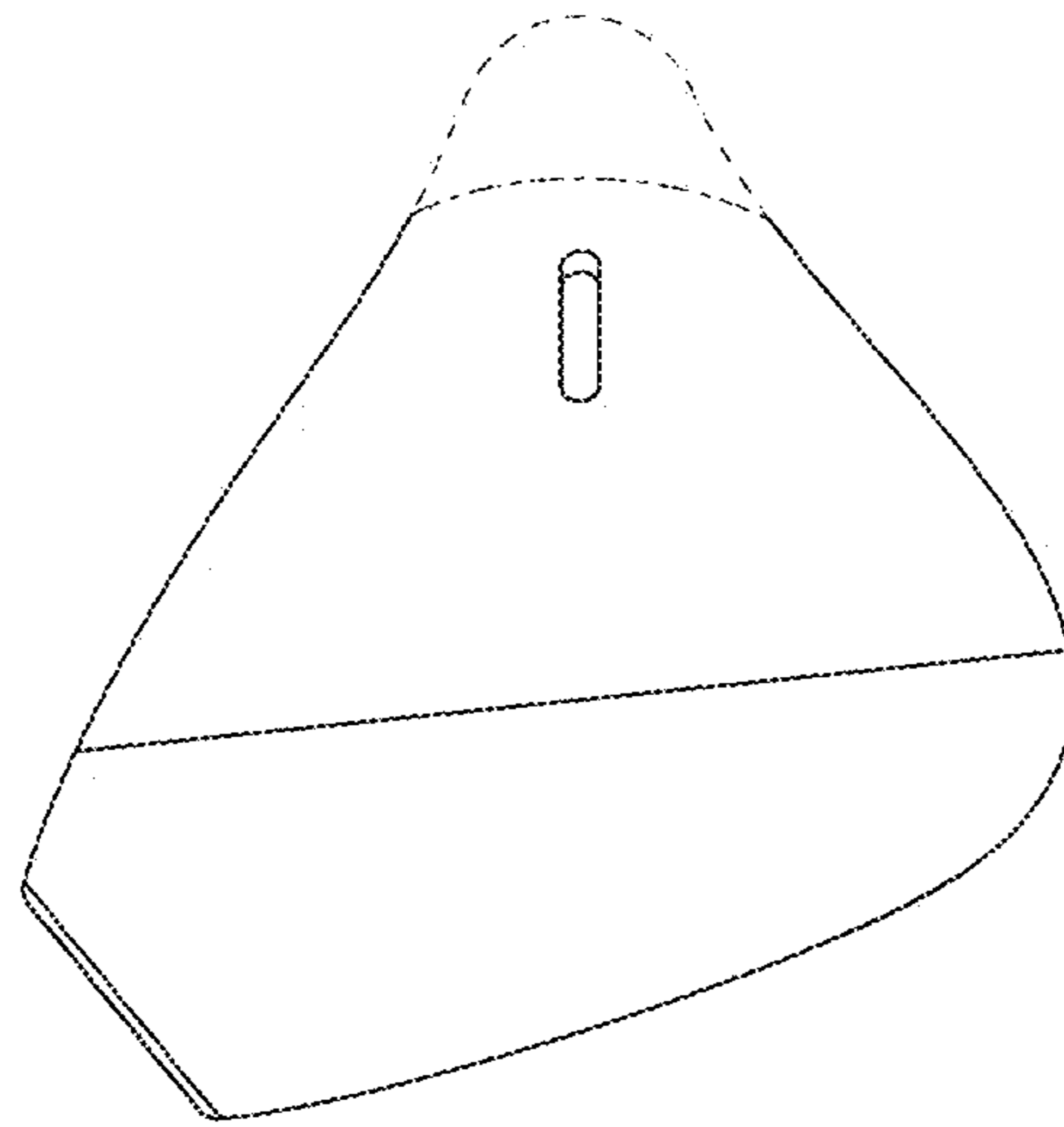


FIG. 7

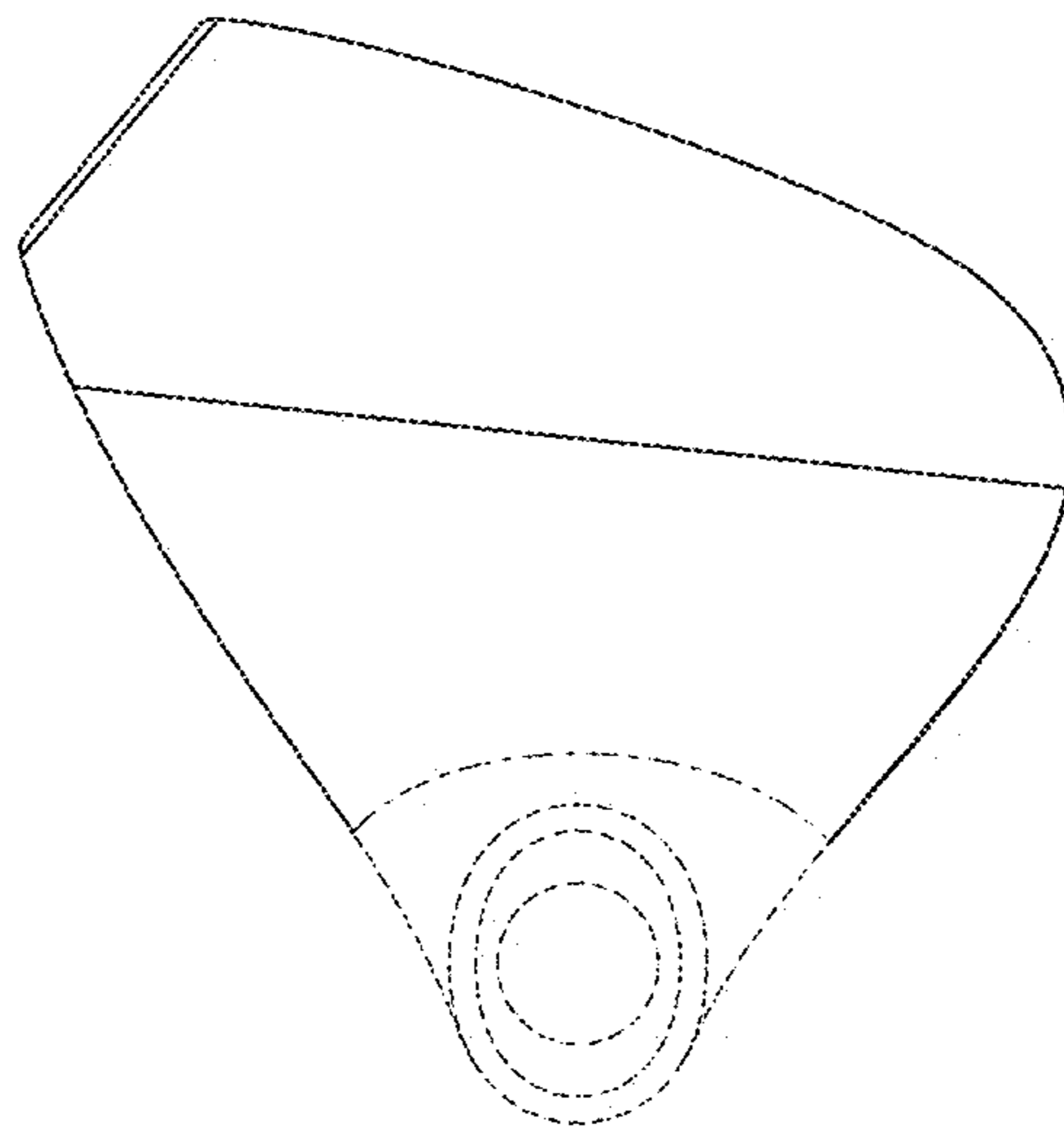


FIG. 8