



US00D951233S

(12) **United States Design Patent** (10) **Patent No.:** **US D951,233 S**
Zhu (45) **Date of Patent:** **** May 10, 2022**

(54) **REMOTE CONTROL**

FOREIGN PATENT DOCUMENTS

(71) Applicant: **Ganzhou Shangjie Technology Co., Ltd.**, Ganzhou (CN)

CN 307019157 * 12/2021
GB 6152618 * 8/2021
KR 3011057880004 * 4/2021
WO D208504-001 * 12/2021

(72) Inventor: **Jianjun Zhu**, Ganzhou (CN)

(73) Assignee: **GANZHOU SHANGJIE TECHNOLOGY CO., LTD.**, Ganzhou (CN)

OTHER PUBLICATIONS

(**) Term: **15 Years**

Zerone, Learning Remote Control . . . , available at amazon.com, date first available May 29, 2018, site visited Feb. 22, 2022, available at URL: https://www.amazon.com/dp/B07DCM9B1N/ref=cm_sw_em_r_mt_dp_S0B654CQSW0MK9CTXSB7 (Year: 2018).*

(21) Appl. No.: **29/766,436**

* cited by examiner

(22) Filed: **Jan. 15, 2021**

(51) **LOC (13) Cl.** **14-03**

Primary Examiner — Daniel J Domino

(52) **U.S. Cl.**
USPC **D14/218**

Assistant Examiner — Samina Vieth

(58) **Field of Classification Search**
USPC D14/218, 230; D21/331, 332, 333, 329;
D13/168

(74) *Attorney, Agent, or Firm* — Innovation Capital Law Group, LLP; Vic Lin

CPC H03J 2200/24; H03J 1/0025; H04N 21/4221; H04N 21/42204; G08C 2201/33; H01H 9/0214; H01H 9/0207; H01H 9/06; H01H 2009/065; H01H 2009/066

(57) **CLAIM**

See application file for complete search history.

The ornamental design for a remote control, as shown and described.

DESCRIPTION

(56) **References Cited**

FIG. 1 is a top plan view of a remote control, showing my new design;

U.S. PATENT DOCUMENTS

D504,885 S * 5/2005 Zhang D14/218
D625,294 S * 10/2010 Wada D14/218
D722,046 S * 2/2015 Kuh D14/218
D763,830 S * 8/2016 Jones D14/218
D797,686 S * 9/2017 McRoberts D13/168
D910,580 S * 2/2021 Zhu D13/168
D923,588 S * 6/2021 Zhu D13/168
D932,449 S * 10/2021 Zhu D13/168

FIG. 2 is a bottom plan view thereof;

FIG. 3 is a right elevation view thereof;

FIG. 4 is a left elevation view thereof;

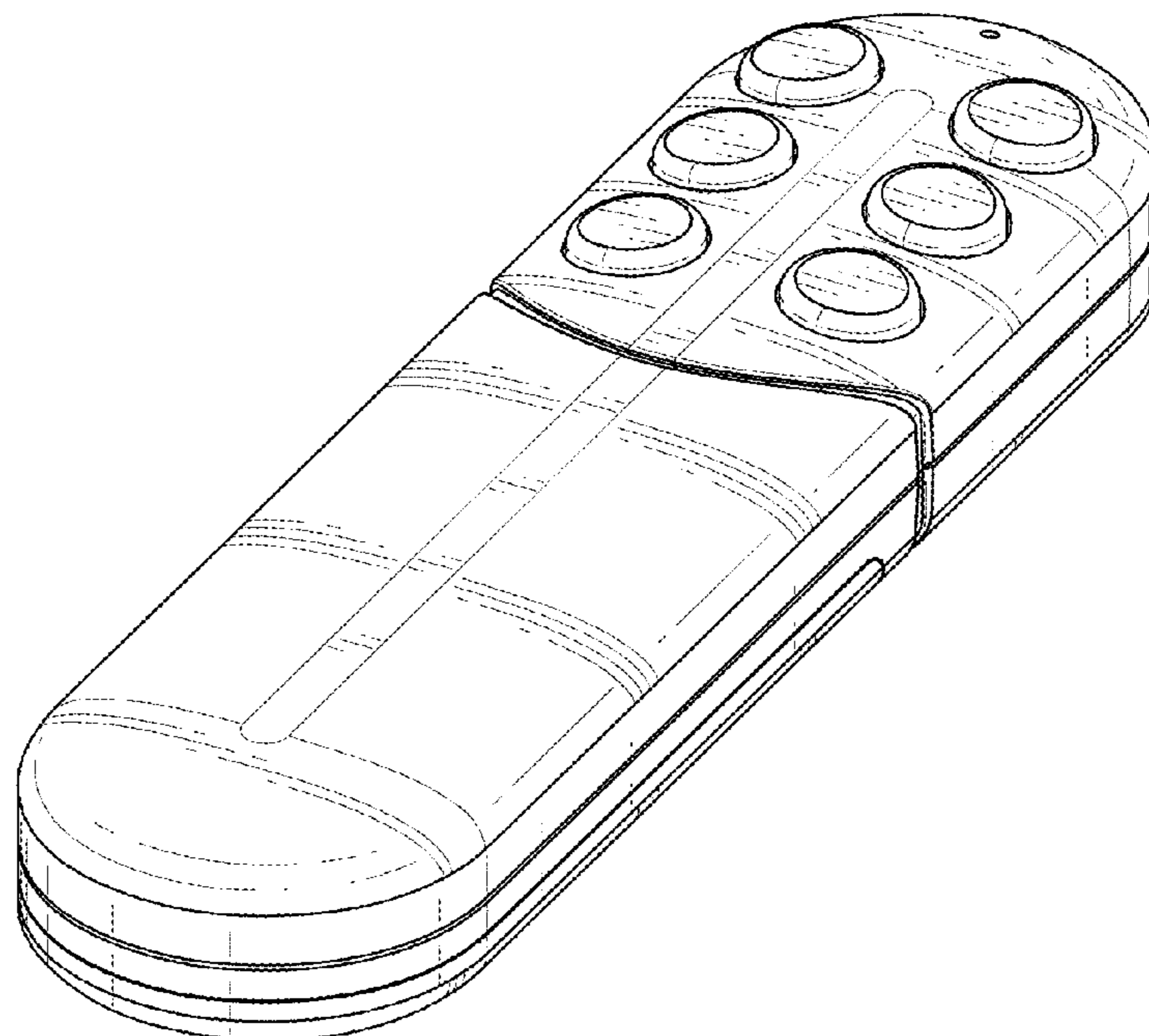
FIG. 5 is a front elevation view thereof;

FIG. 6 is a rear elevation view thereof;

FIG. 7 is a top perspective view thereof; and,

FIG. 8 is a bottom perspective view thereof.

1 Claim, 8 Drawing Sheets



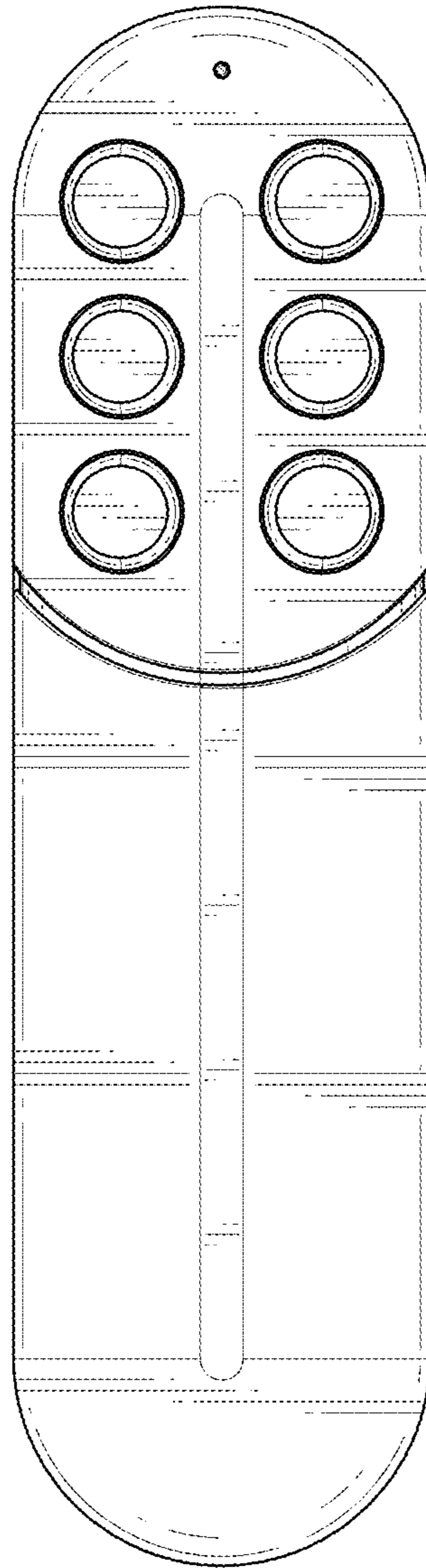


FIG. 1

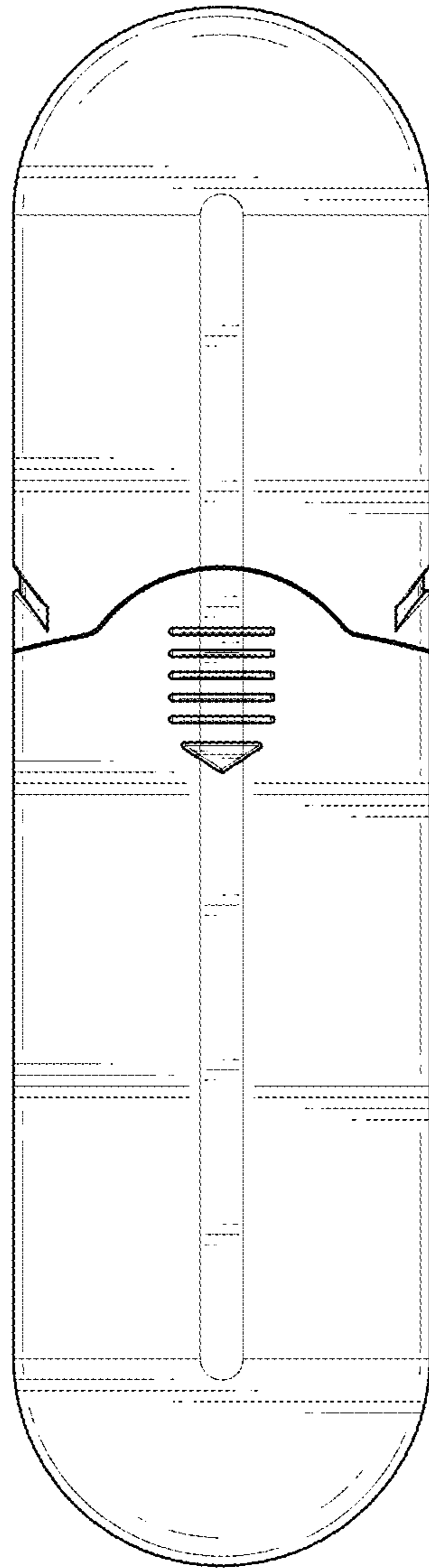


FIG. 2

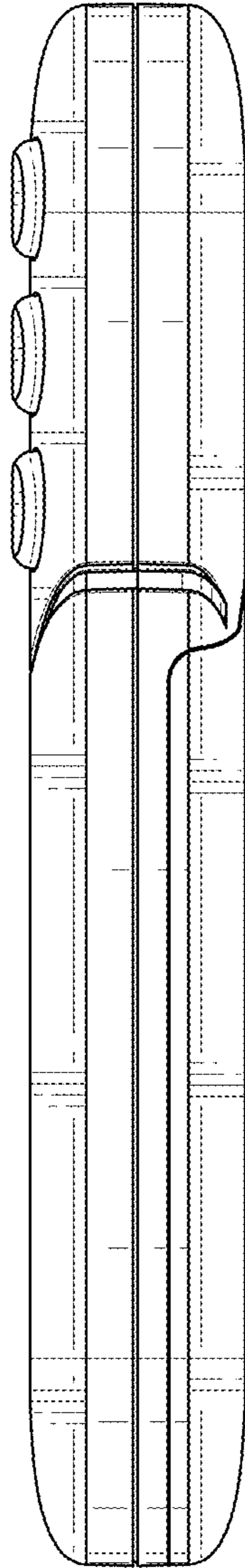


FIG. 3

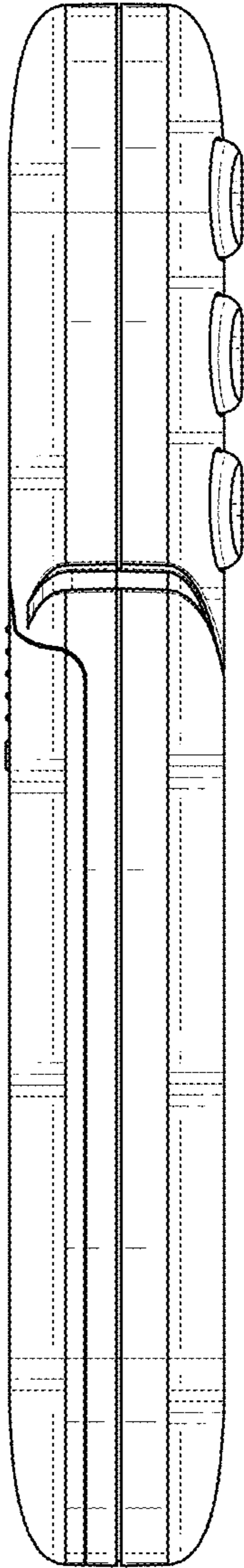


FIG. 4

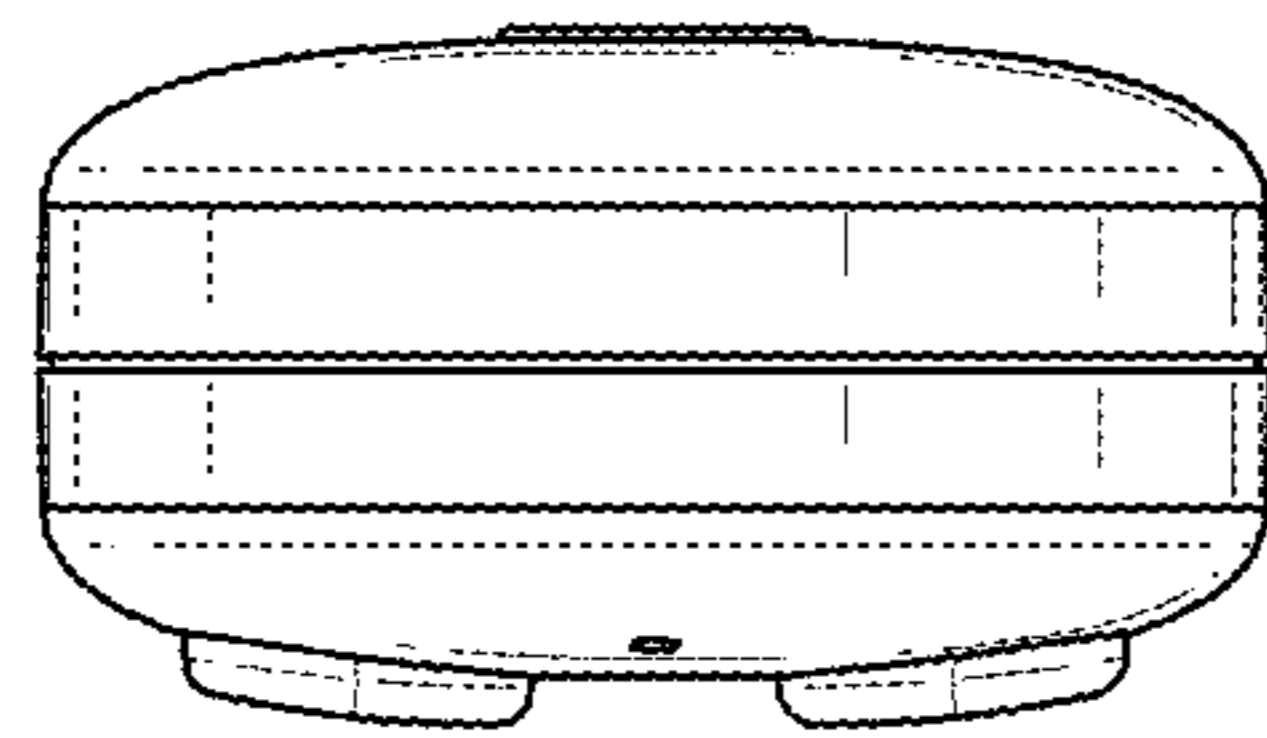


FIG. 5

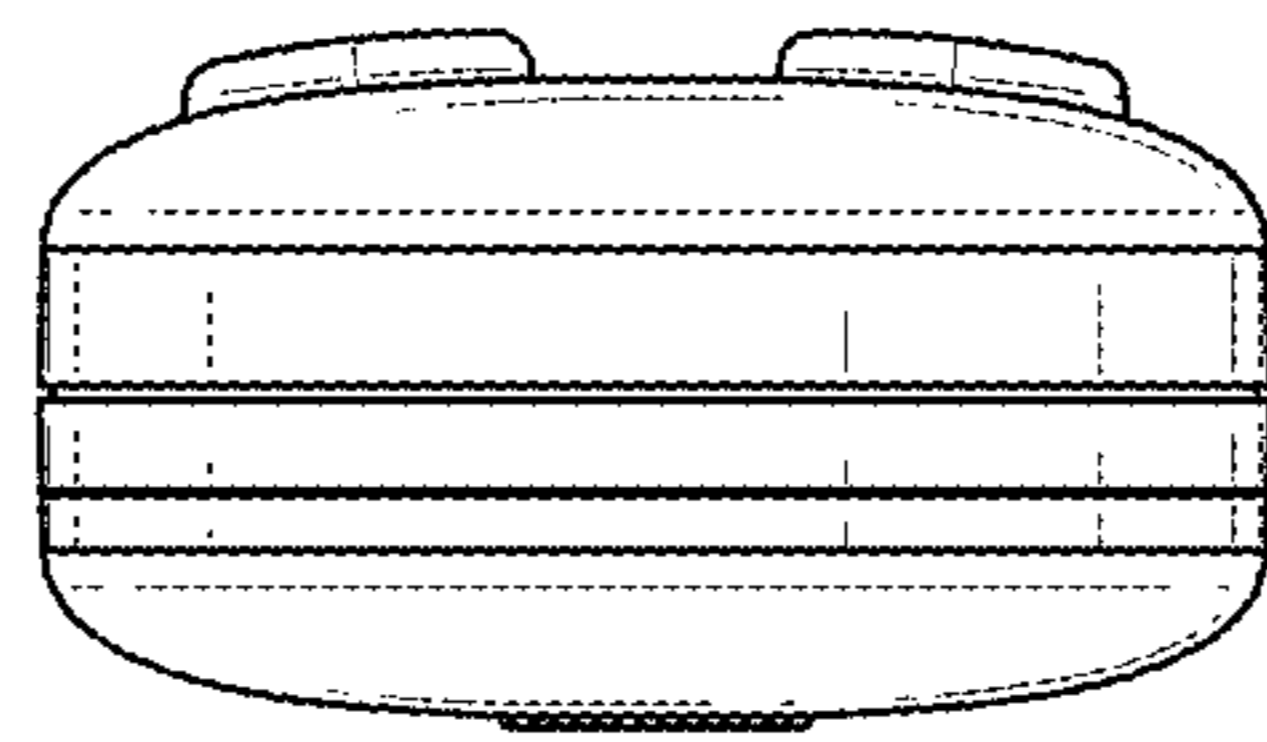


FIG. 6

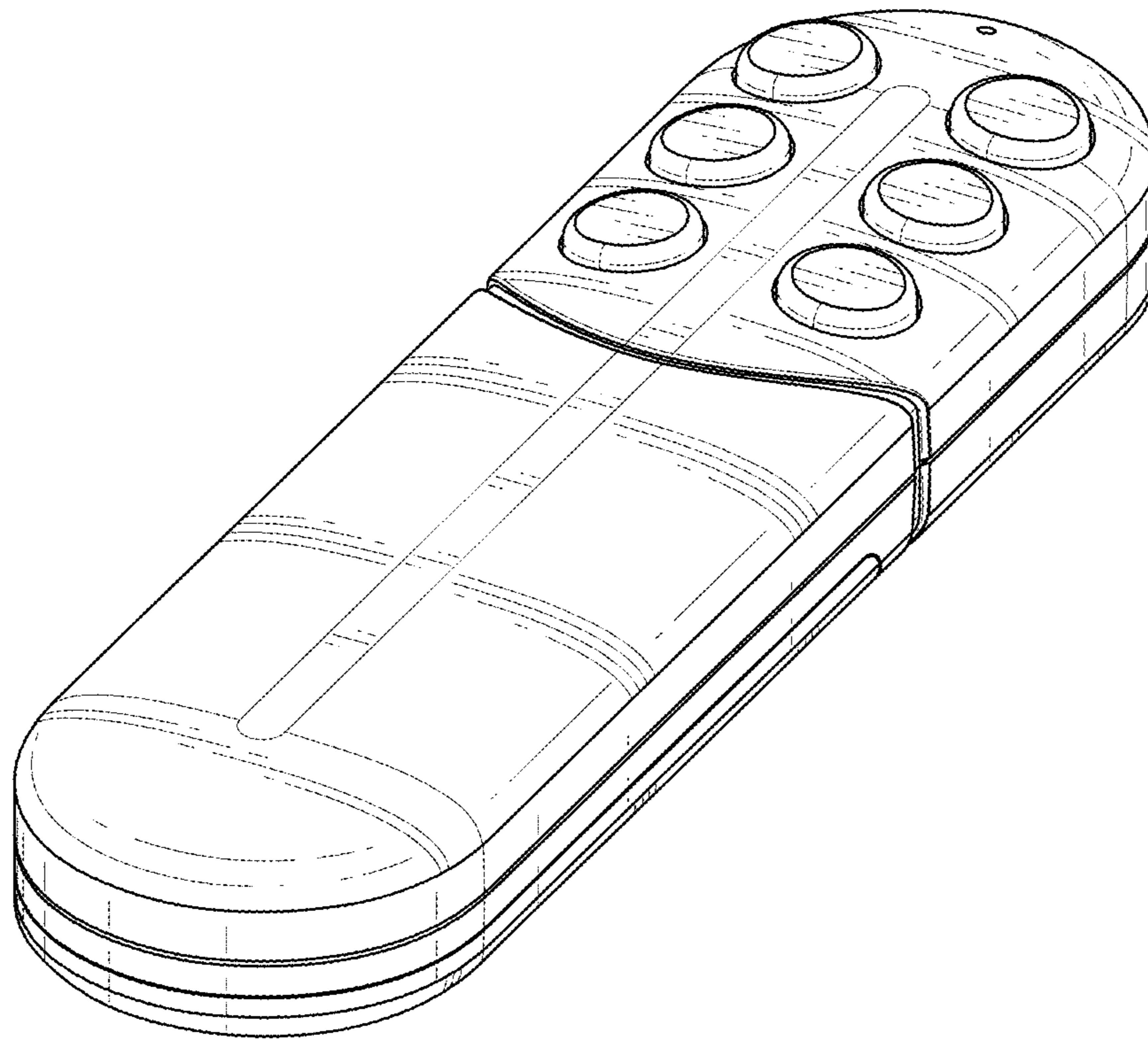


FIG. 7

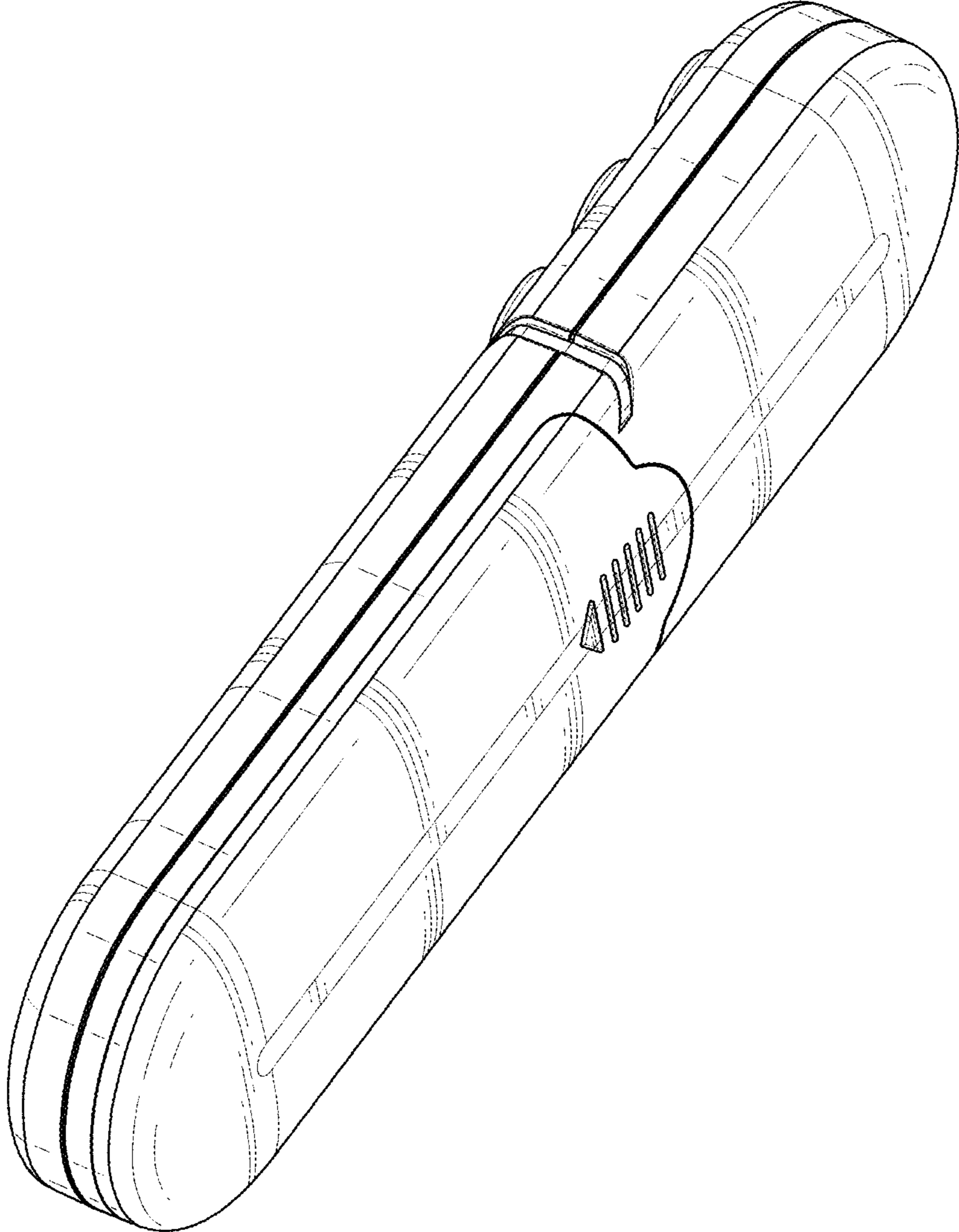


FIG. 8