



US00D951231S

(12) **United States Design Patent**
Kuang

(10) **Patent No.:** **US D951,231 S**

(45) **Date of Patent:** **** May 10, 2022**

(54) **WHITE NOISE MACHINE**

(71) Applicant: **Zhixiang Kuang**, Shenzhen (CN)

(72) Inventor: **Zhixiang Kuang**, Shenzhen (CN)

(**) Term: **15 Years**

(21) Appl. No.: **29/758,531**

(22) Filed: **Nov. 16, 2020**

(51) **LOC (13) Cl.** **14-01**

(52) **U.S. Cl.**
USPC **D14/216**

(58) **Field of Classification Search**
USPC D14/167, 168, 170–172, 188, 194–197,
D14/203.1–203.8, 204, 209.1, 210–216,
D14/219, 221, 222, 224, 239, 496
CPC B60R 11/0217; G06F 1/1688; G10K 9/22;
G10K 11/004; H03F 1/327; H04M 1/03;
H04M 1/035; H04N 5/642; H04N
21/4852; H04R 1/02; H04R 1/06; H04R
1/021; H04R 1/025; H04R 1/026; H04R
1/028; H04R 1/105; H04R 1/323; H04R
1/403; H04R 1/2803; H04R 1/2834;
H04R 5/02; H04R 7/20; H04R 9/06;
H04R 9/025; H04R 2201/021; H04R
2400/00; H04R 2400/07; H04R 2499/11;
H04R 2499/13; H04R 2499/15; H04S
3/00; H04S 7/30

See application file for complete search history.

(56) **References Cited**

U.S. PATENT DOCUMENTS

D859,350 S * 9/2019 Pedersen D14/149
D881,161 S * 4/2020 Chen D14/216

D884,707 S * 5/2020 Zhang D14/434
D886,772 S * 6/2020 Xiong D14/204
D886,774 S * 6/2020 Chang D14/204
D894,872 S * 9/2020 Wei D14/216
D894,963 S * 9/2020 Li D14/496
D900,788 S * 11/2020 Wang D14/216
D913,475 S * 3/2021 Wu D23/366
D926,961 S * 8/2021 Lee G10K 11/17855
D23/366
D927,448 S * 8/2021 Zhang D14/204
D937,436 S * 11/2021 He D24/231
2019/0172439 A1 * 6/2019 Dennis G10K 11/17855

* cited by examiner

Primary Examiner — Keli L Hill

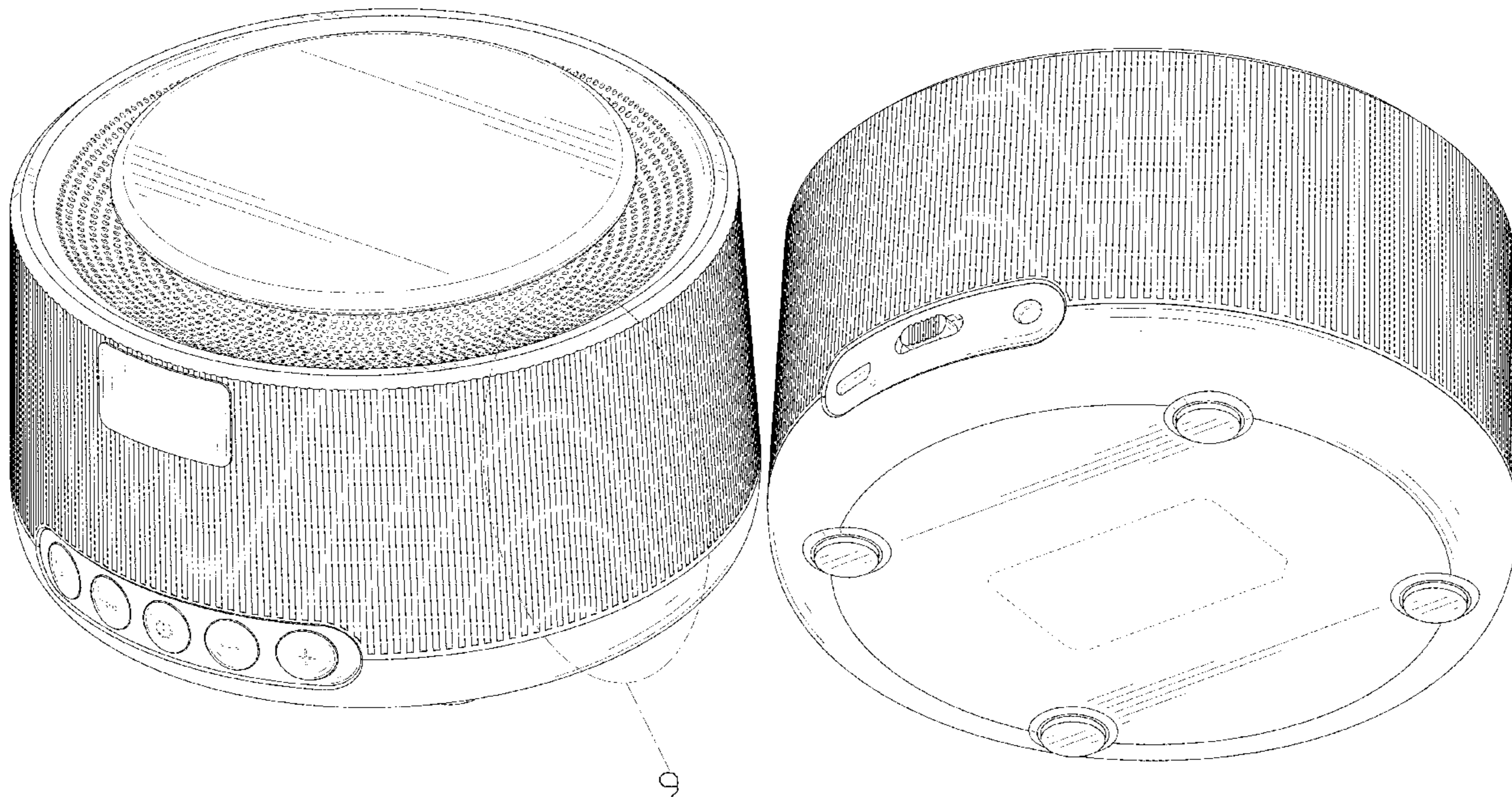
(57) **CLAIM**

The ornamental design for a white noise machine, as shown and described.

DESCRIPTION

FIG. 1 is a perspective view of a white noise machine showing my new design;
FIG. 2 is another perspective view thereof;
FIG. 3 is a front elevational view thereof;
FIG. 4 is a rear elevational view thereof;
FIG. 5 is a left side elevational view thereof;
FIG. 6 is a right side elevational view thereof;
FIG. 7 is a top plan view thereof;
FIG. 8 is a bottom plan view thereof; and,
FIG. 9 is an enlarged view of portion 9 shown in FIG. 1. The dot-dash broken lines seen in FIGS. 1 and 9 are the bounds of the enlarged view, while all other broken lines are included for the purpose of illustrating portions of the white noise machine; the broken lines form no part of the claimed design.

1 Claim, 9 Drawing Sheets



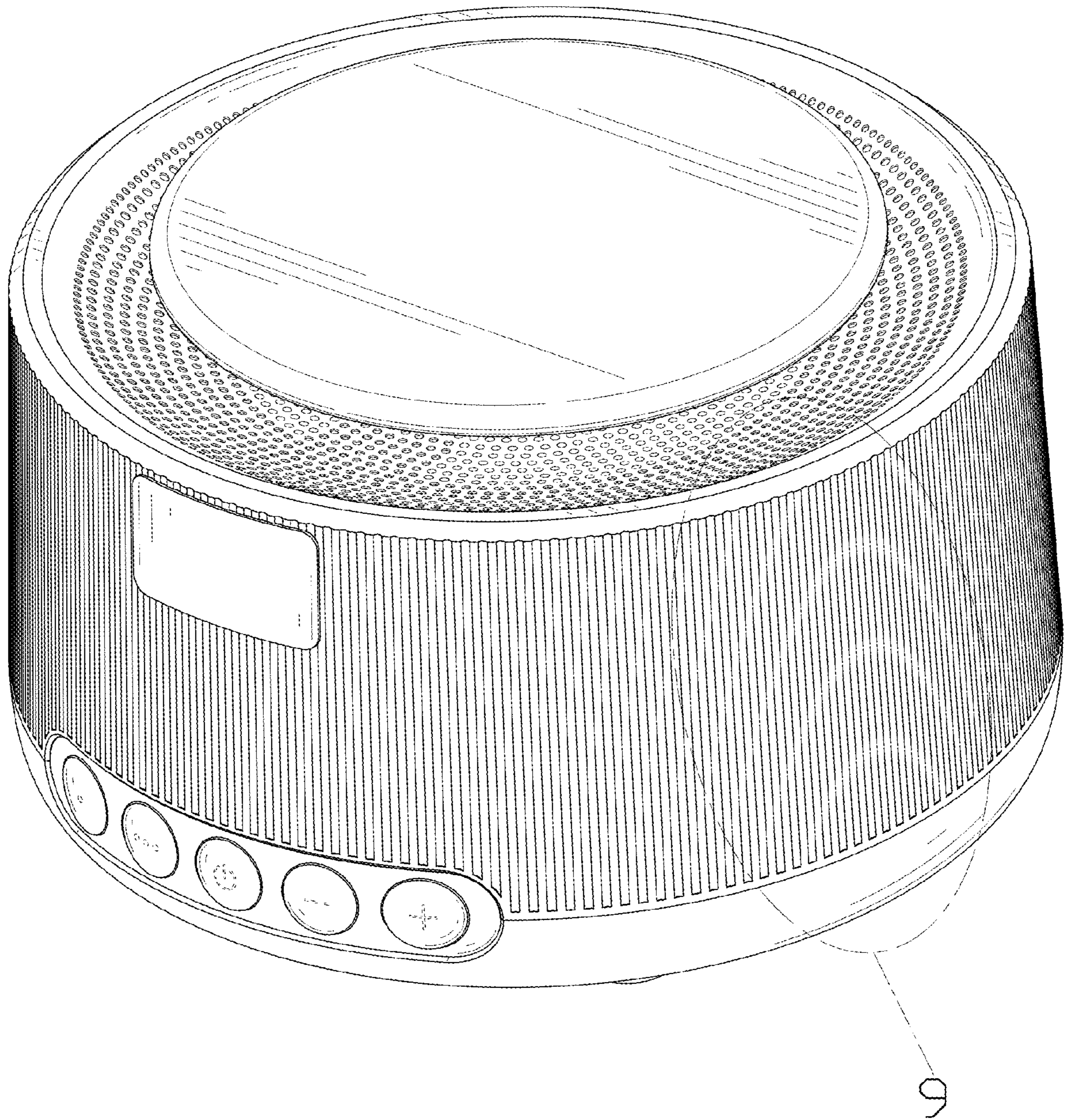


FIG. 1

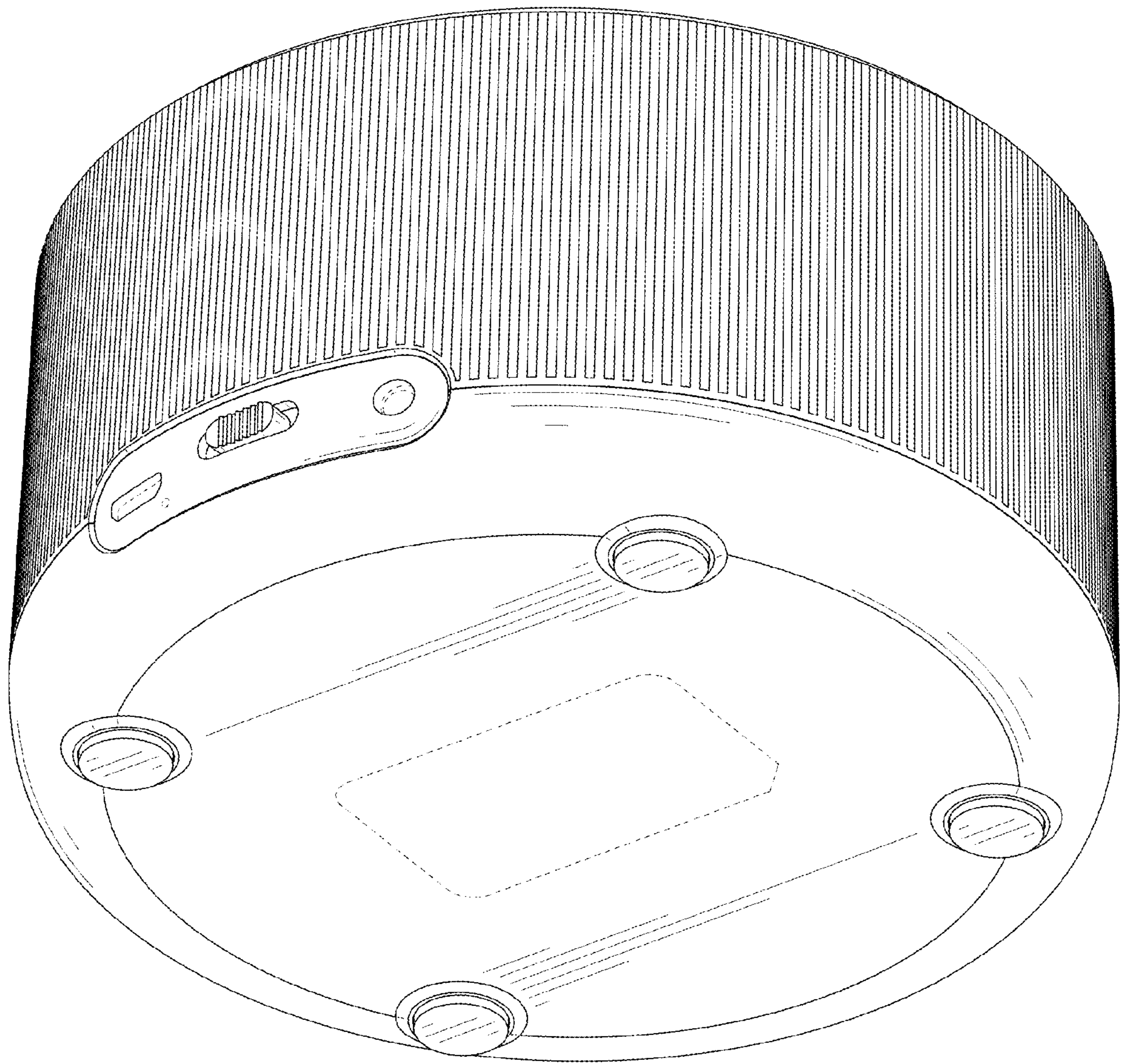


FIG. 2

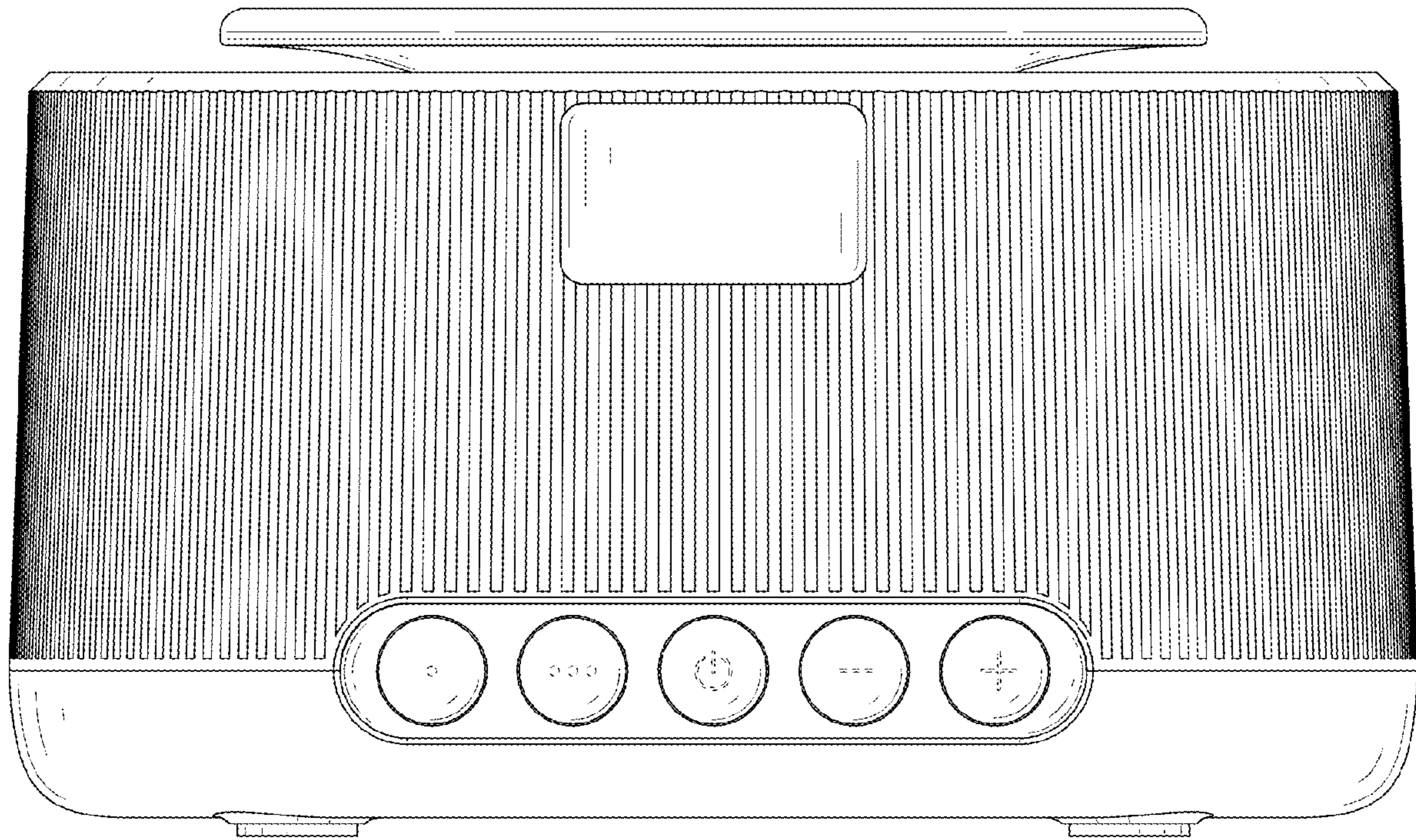


FIG. 3

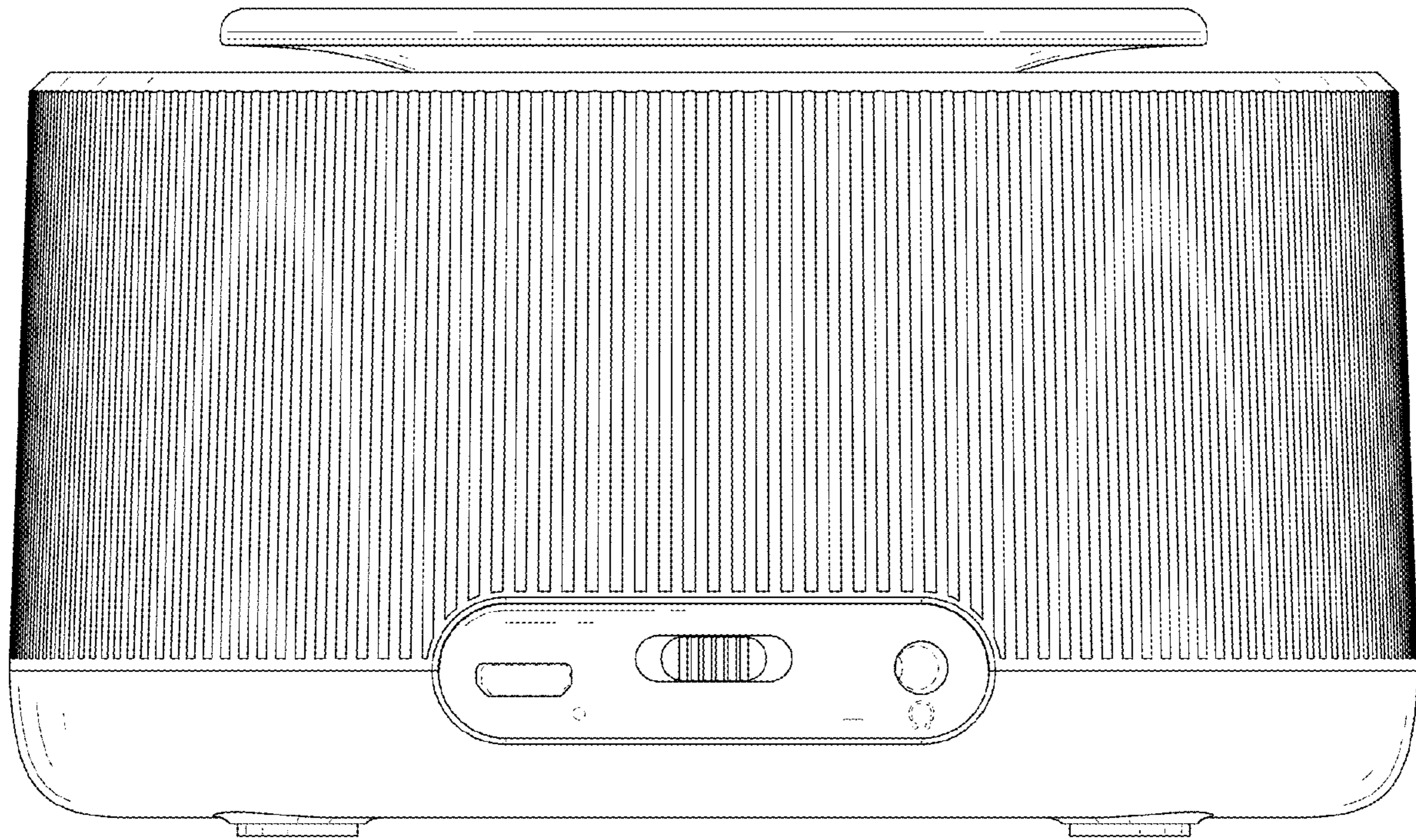


FIG. 4

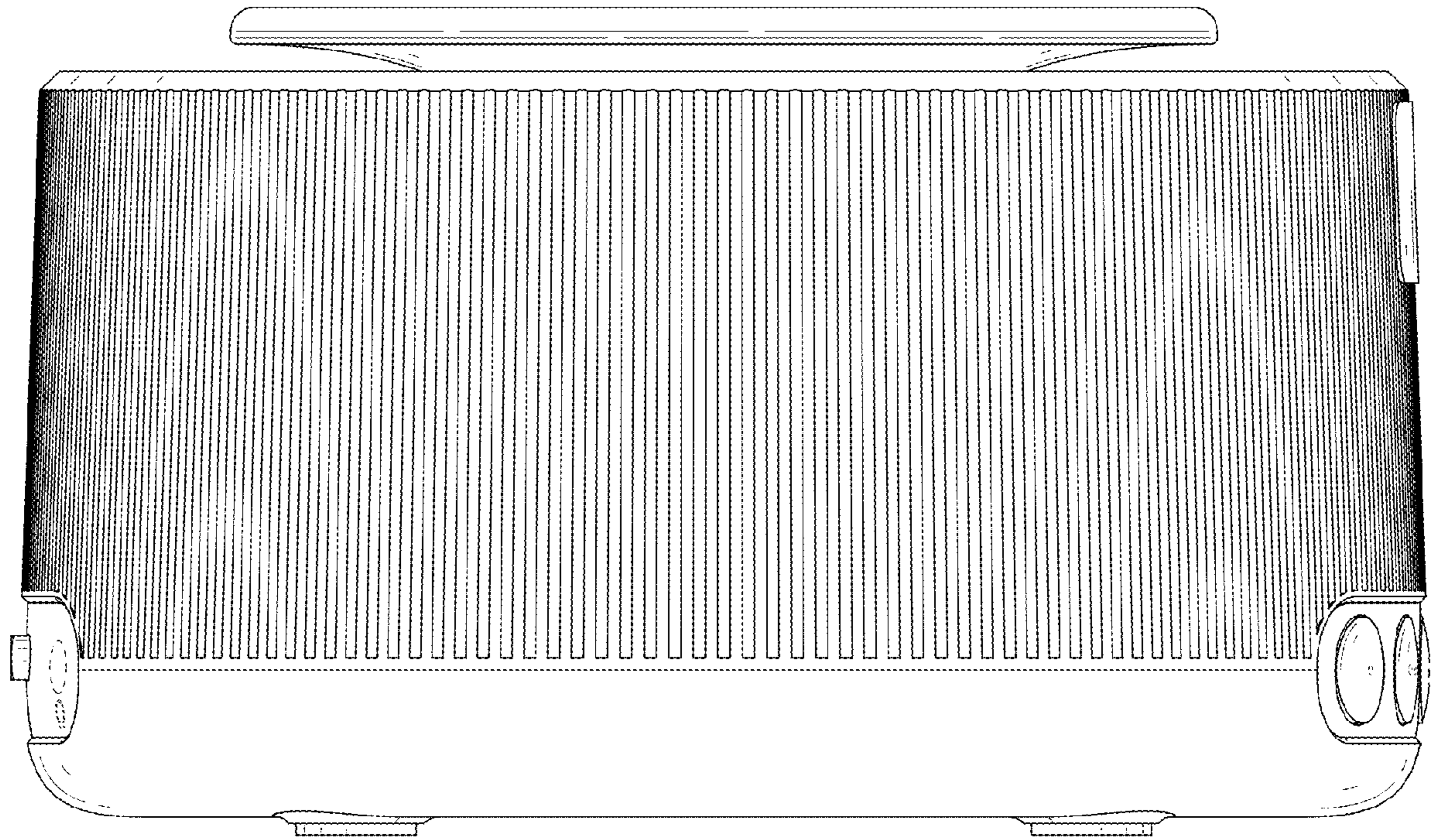


FIG. 5

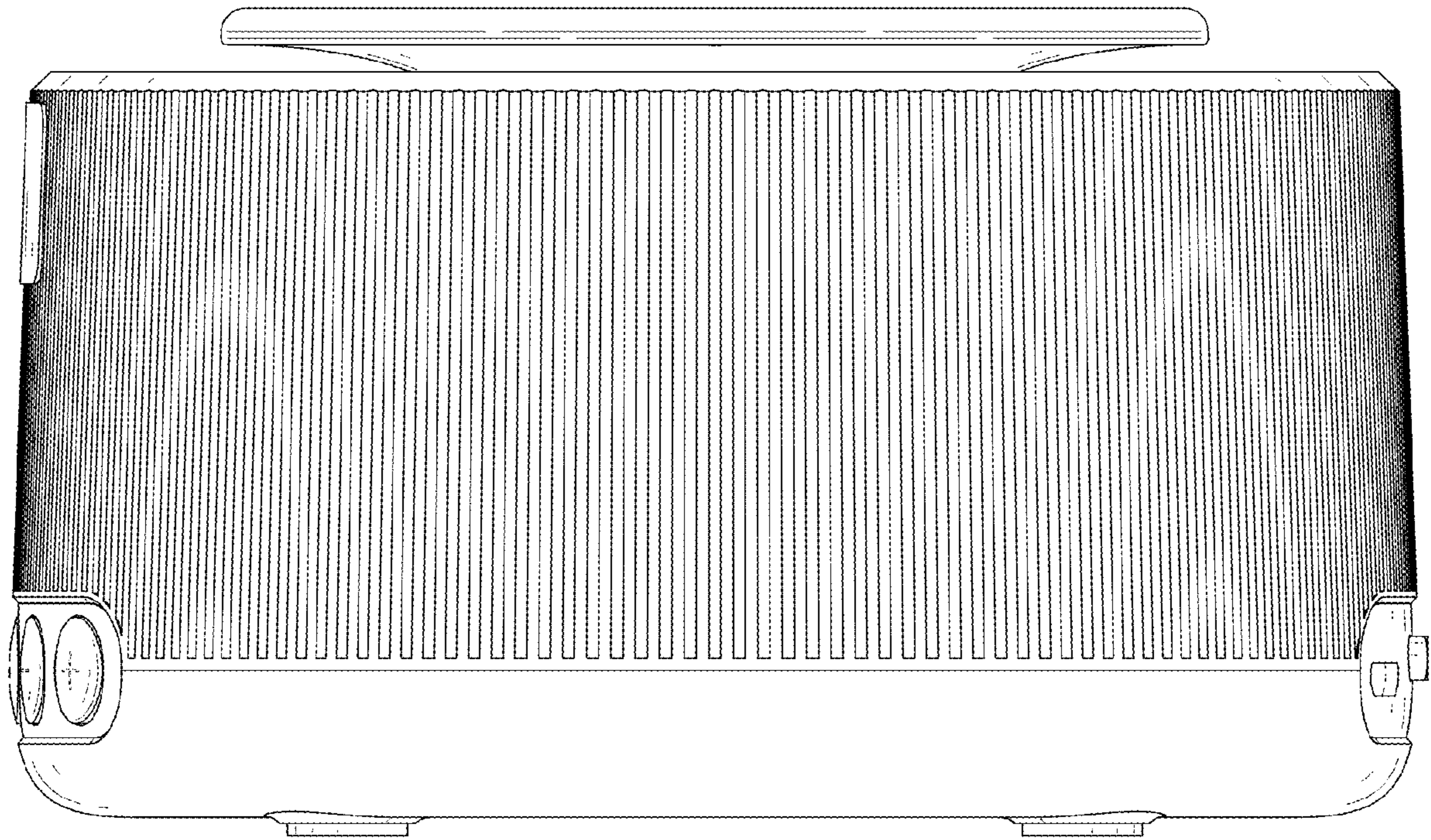


FIG. 6

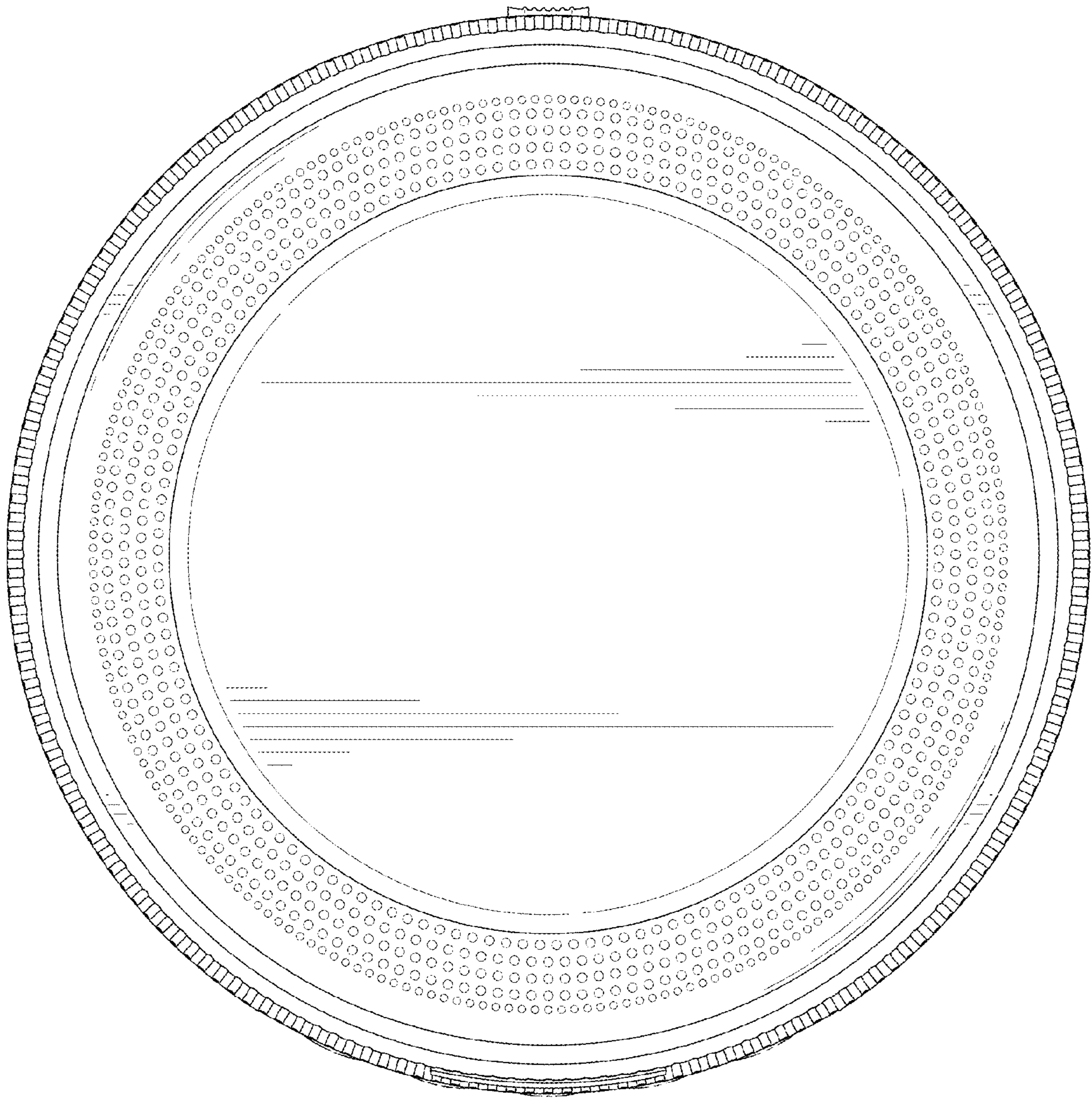


FIG. 7

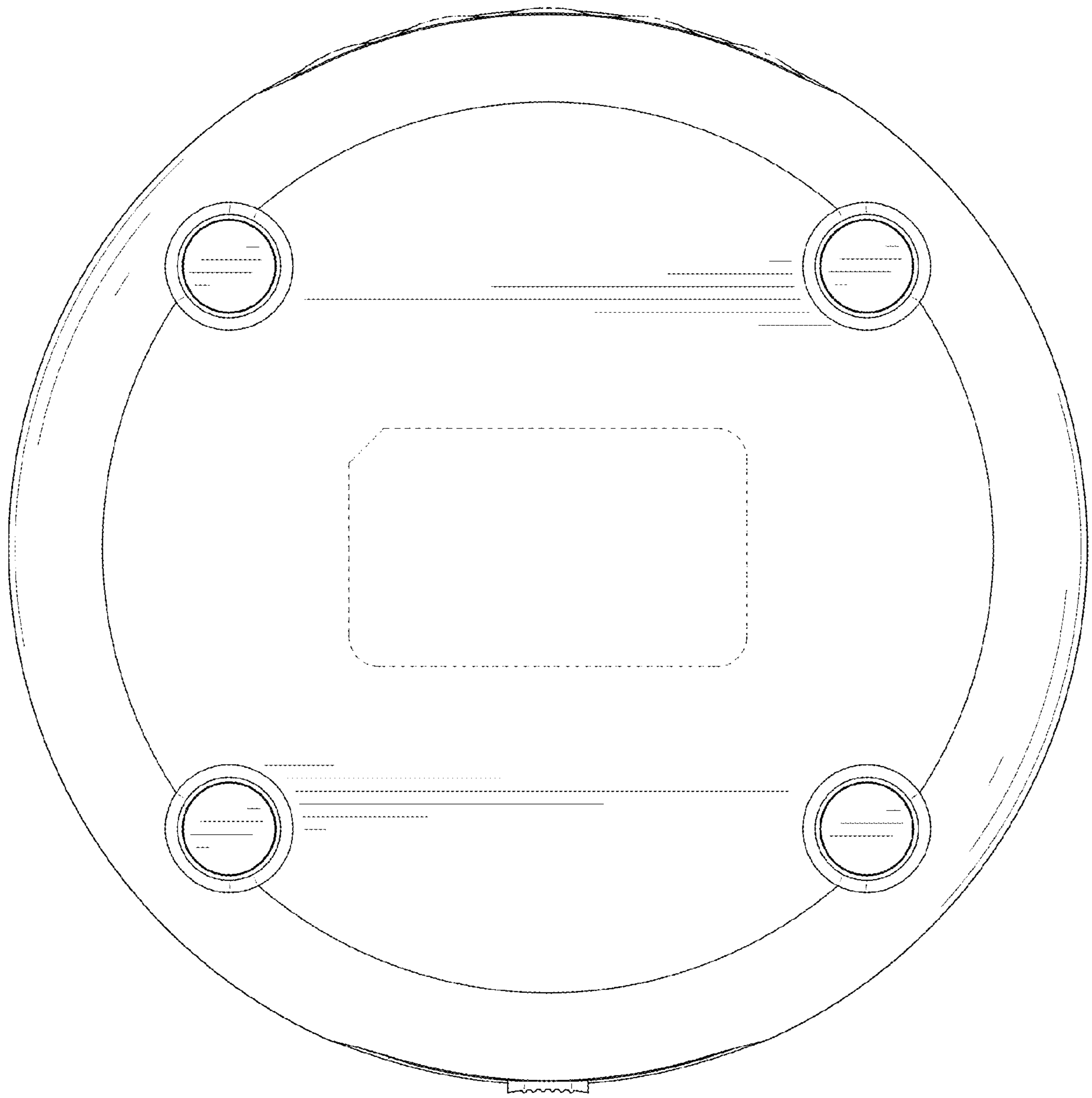


FIG. 8

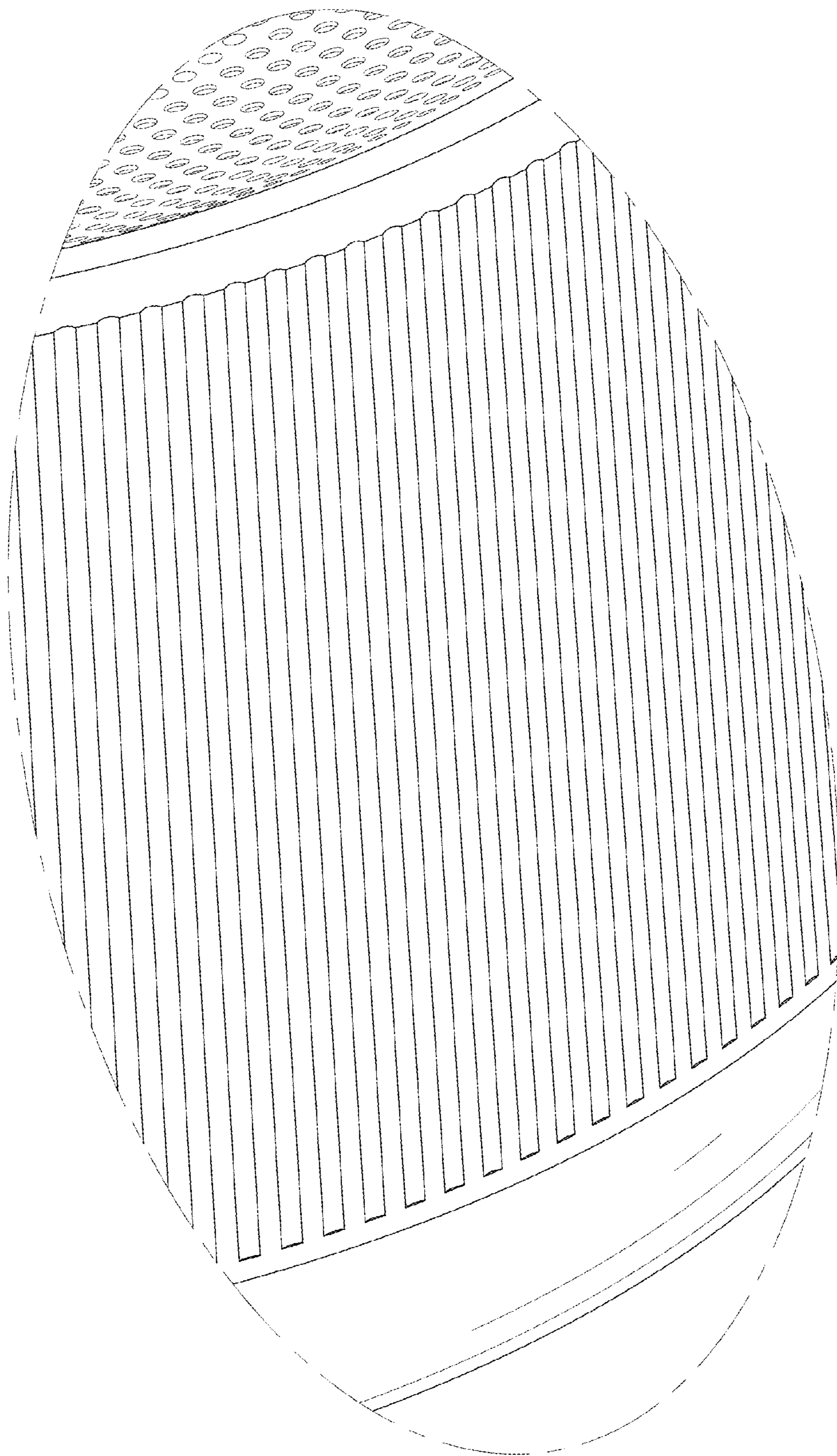


FIG. 9